



US00D879626S

(12) **United States Design Patent** (10) **Patent No.:** **US D879,626 S**  
**Schrock** (45) **Date of Patent:** **\*\* Mar. 31, 2020**

(54) **SCOREBOARD FOR A TOSSING GAME**

8,677,924 B1 \* 3/2014 Brown ..... A63F 11/0051  
116/325

(71) Applicant: **John Schrock**, Akron, NY (US)

\* cited by examiner

(72) Inventor: **John Schrock**, Akron, NY (US)

*Primary Examiner* — George D. Kirschbaum

(\*\*) Term: **15 Years**

*Assistant Examiner* — Joseph J Kukella

(21) Appl. No.: **29/649,772**

(74) *Attorney, Agent, or Firm* — Vincent G. LoTempio;

(22) Filed: **Jun. 1, 2018**

Kloss, Stenger & LoTempio; David T. Stephenson

(51) **LOC (12) Cl.** ..... **21-01**

(57) **CLAIM**

The ornamental design of a scoreboard for tossing a game, as shown and described.

(52) **U.S. Cl.**

USPC ..... **D10/46.1**

**DESCRIPTION**

(58) **Field of Classification Search**

USPC ..... D10/46, 46.1; D8/395; D28/40;  
D21/799.1; D19/65, 86

FIG. 1 is a perspective view of the scoreboard, showing the device attached to both the front and side of a tossing game, the tossing game which forms no part of the claimed invention is shown in broken lines;

CPC . A63B 71/06; A63B 71/0608; A63B 71/0619;  
A63B 71/0669; A63B 71/0672; A63B  
71/0694; A63F 11/0051; A63F 11/0053;  
A63F 11/0055; A63F 11/0058

FIG. 2 is an alternative perspective view of the scoreboard, showing the device attached to the side of a tossing game, the tossing game which forms no part of the claimed invention is shown in broken lines;

See application file for complete search history.

FIG. 3 is an alternative perspective view of the scoreboard;

(56) **References Cited**

**U.S. PATENT DOCUMENTS**

D177,212 S \* 3/1956 Brunot ..... D10/46.1  
D232,447 S \* 8/1974 Van Buren ..... D10/46.1  
D247,825 S \* 5/1978 Christianson ..... A63B 71/0672  
D10/46.1  
4,745,875 A \* 5/1988 Timleck ..... A63B 71/0672  
116/222  
D378,280 S \* 3/1997 Furr ..... D10/46.1  
D622,620 S \* 8/2010 Cloonan ..... D10/46.1

FIG. 4 is a front view thereof;

FIG. 5 is a back view thereof;

FIG. 6 is a right view thereof;

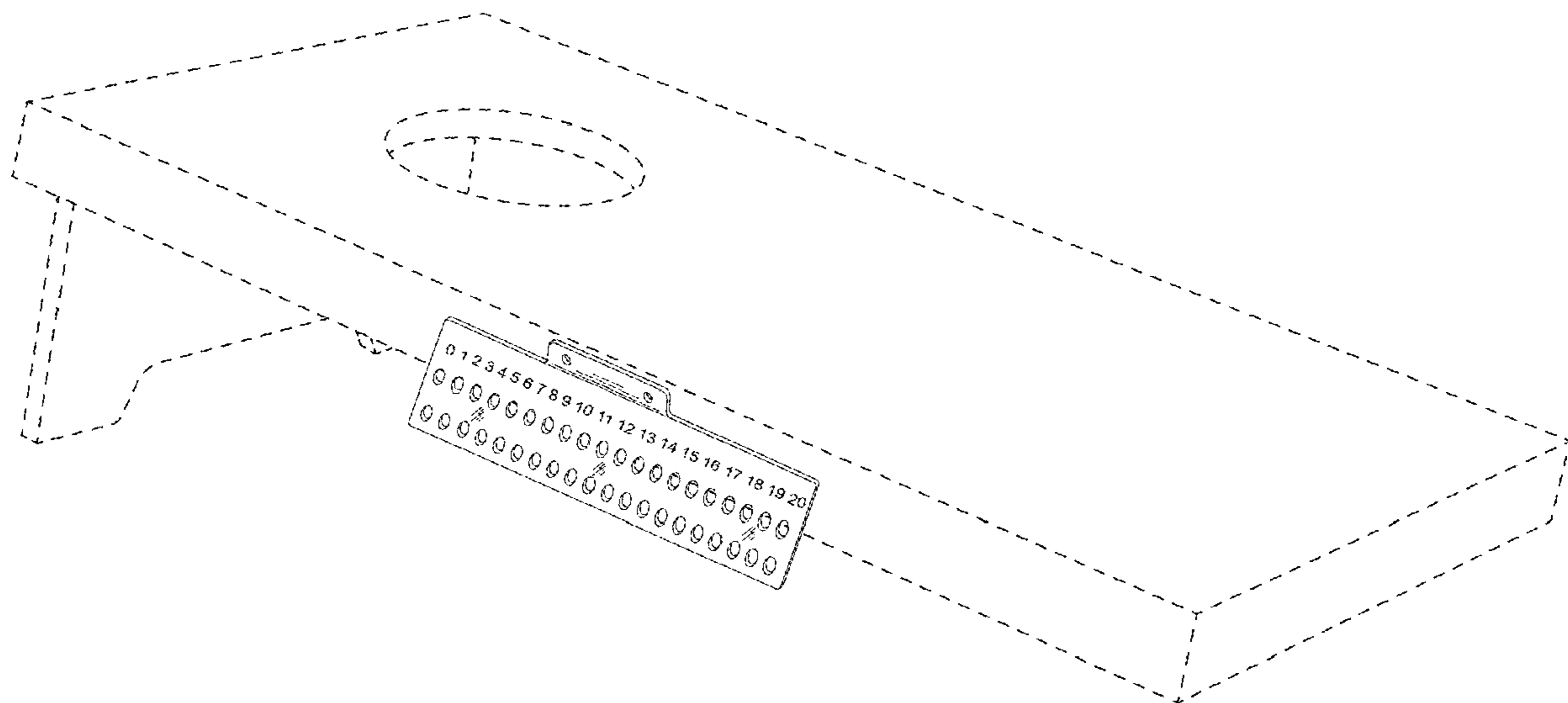
FIG. 7 is a left view thereof;

FIG. 8 is a top view thereof; and,

FIG. 9 is a bottom view thereof.

The broken lines depict environmental structures and form no part of the claimed invention.

**1 Claim, 4 Drawing Sheets**



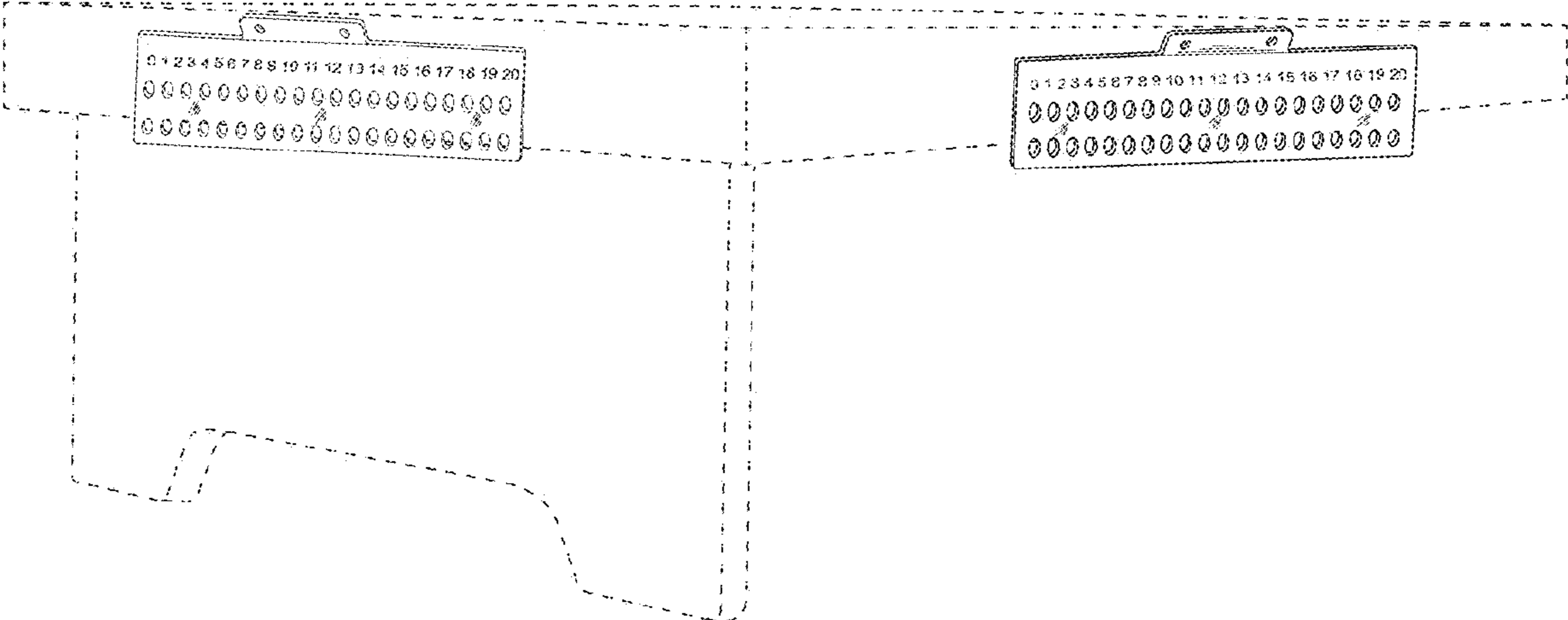


FIG. 1

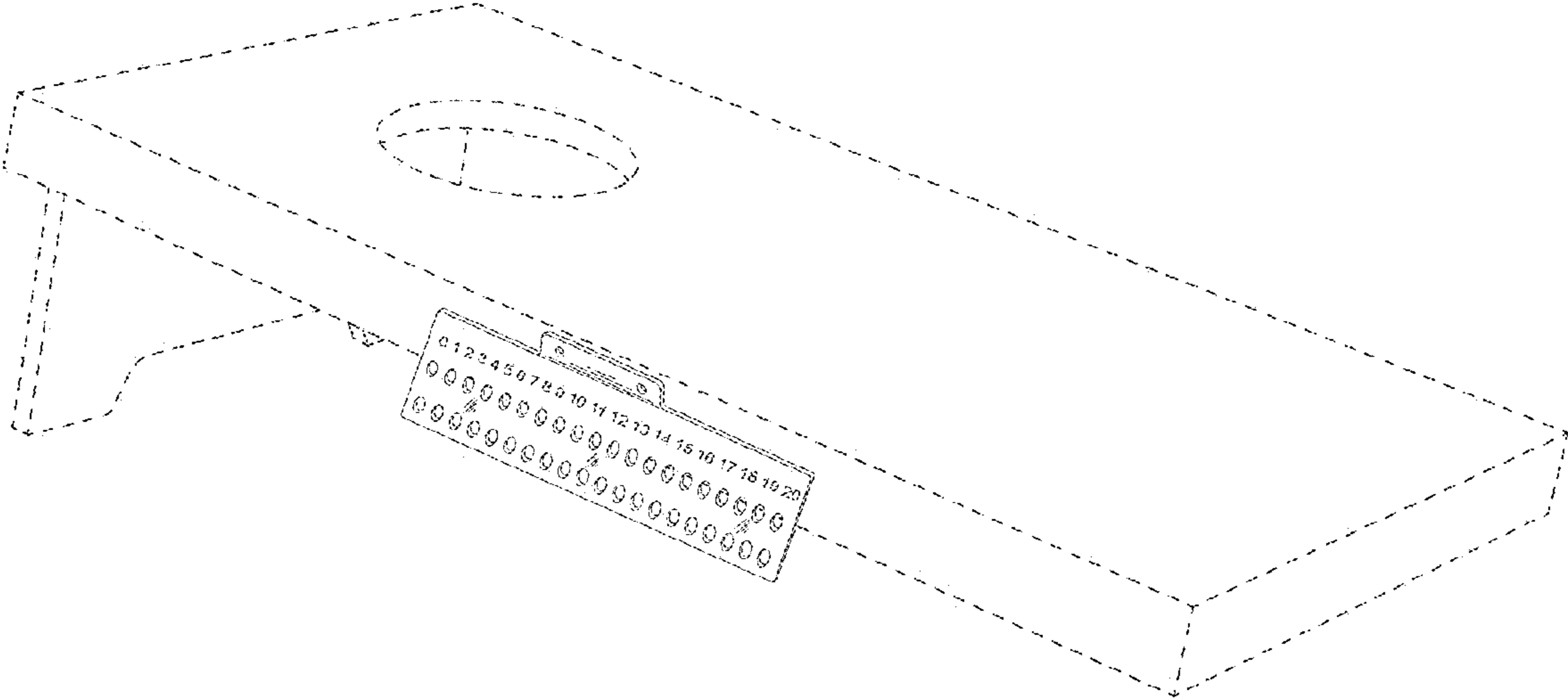


FIG. 2

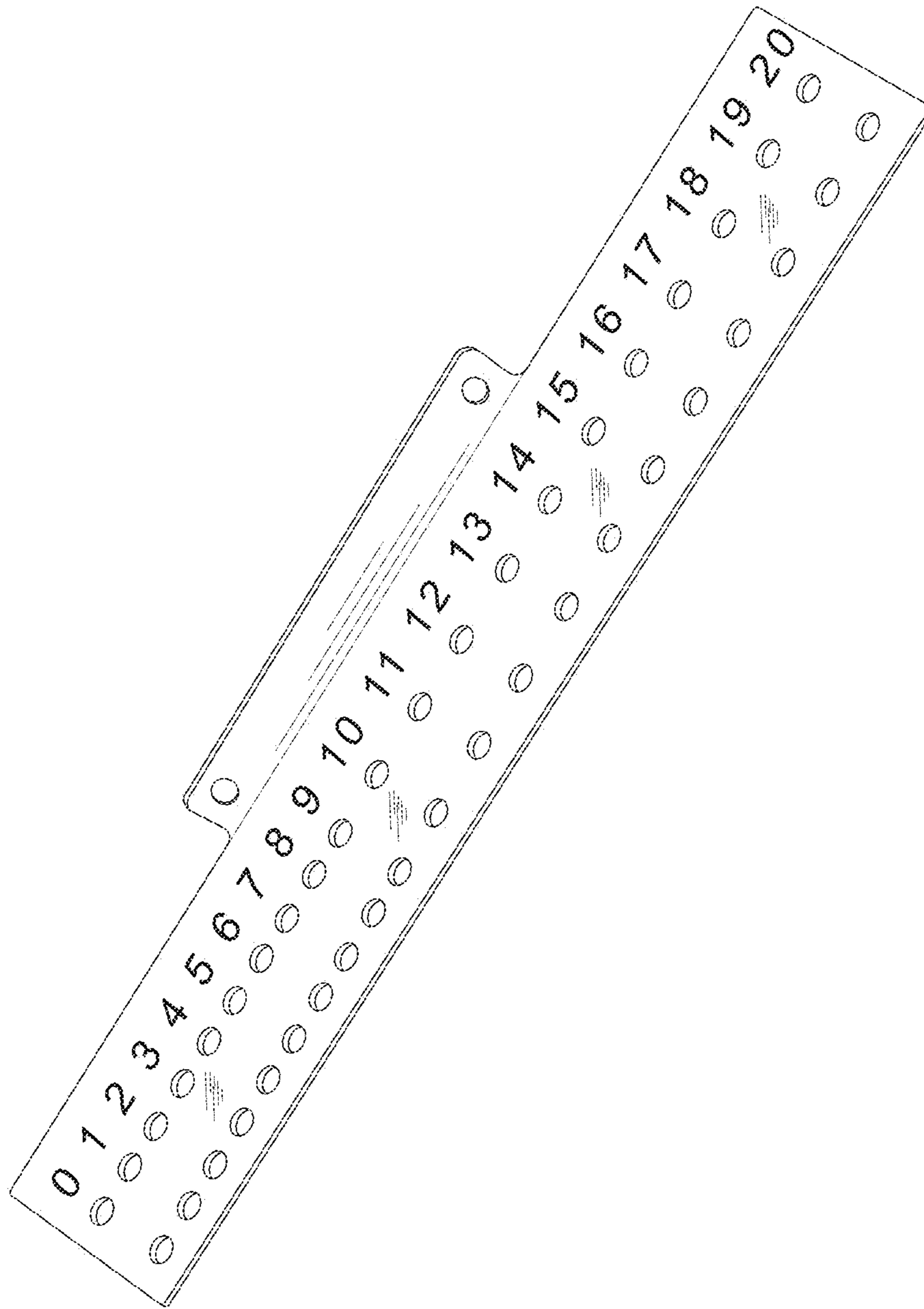


FIG. 3

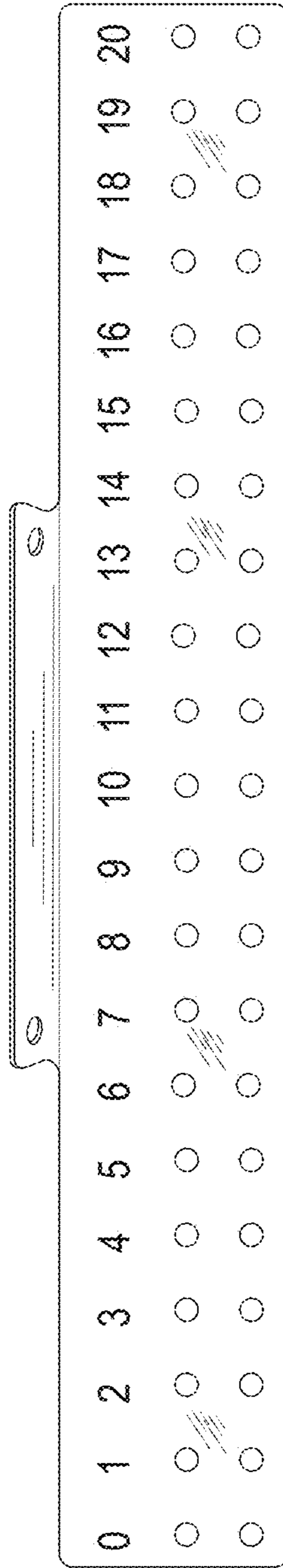


FIG. 4

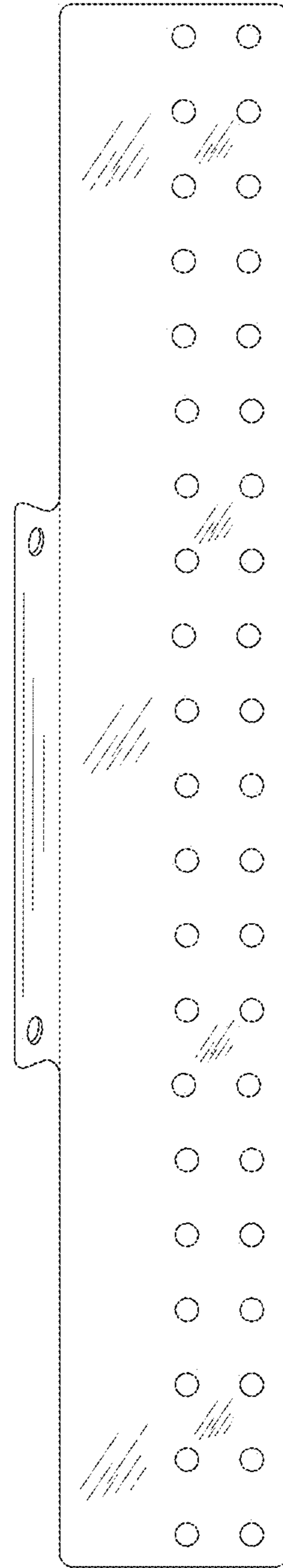


FIG. 5



FIG. 6

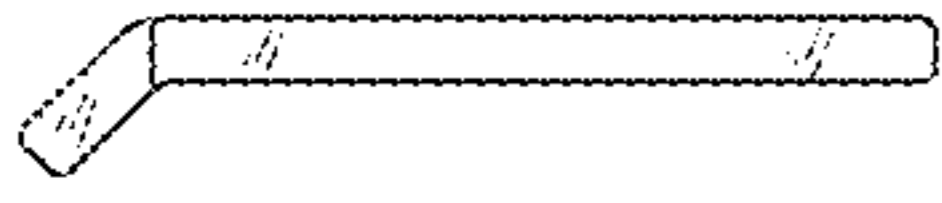


FIG. 7

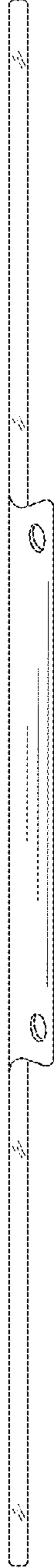


FIG. 8



FIG. 9