



US00D879625S

(12) **United States Design Patent**
Niksich

(10) **Patent No.:** **US D879,625 S**
(45) **Date of Patent:** **** Mar. 31, 2020**

- (54) **TENNIS SCORE DISPLAY HOLDER**
- (71) Applicant: **Gene Niksich**, Alpharetta, GA (US)
- (72) Inventor: **Gene Niksich**, Alpharetta, GA (US)
- (**) Term: **15 Years**
- (21) Appl. No.: **29/622,655**
- (22) Filed: **Oct. 18, 2017**
- (51) **LOC (12) Cl.** **21-01**
- (52) **U.S. Cl.**
USPC **D10/46.1**
- (58) **Field of Classification Search**
USPC D10/46, 46.1; D8/395; D28/40;
D21/799.1; D19/65, 86
CPC . A63B 71/06; A63B 71/0608; A63B 71/0619;
A63B 71/0669; A63B 71/0672; A63B
71/0694; A63F 11/0051; A63F 11/0053;
A63F 11/0055; A63F 11/0058
See application file for complete search history.

- D383,789 S * 9/1997 Shyu D19/65
- D399,529 S * 10/1998 Shyu B42F 13/42
D19/65
- D418,431 S * 1/2000 Niksich A63B 71/0672
D10/46.1
- D432,031 S * 10/2000 Miller D10/46.1
- D751,425 S * 3/2016 Iler D10/46.1
- D774,403 S * 12/2016 Iler D10/46.1
- D842,131 S * 3/2019 Schmidt D10/46.1

* cited by examiner

Primary Examiner — George D. Kirschbaum
Assistant Examiner — Joseph J Kukella
(74) *Attorney, Agent, or Firm* — Gulf Coast Intellectual Property Group

(57) **CLAIM**

The ornamental design for the tennis score display holder, as shown and described.

DESCRIPTION

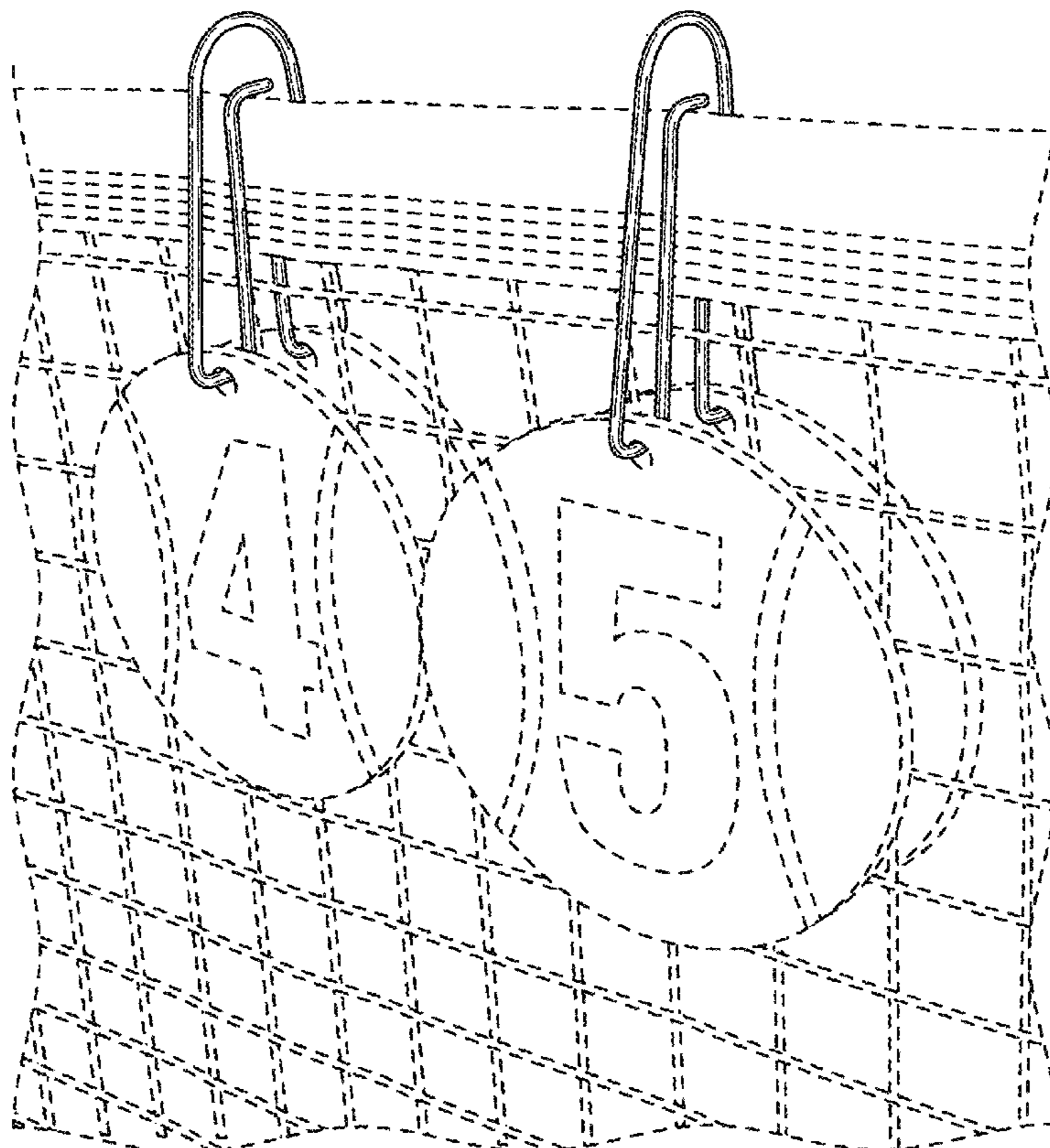
FIG. 1 is a perspective view of the tennis score display holder; and
FIG. 2 is a front plan view thereof; and
FIG. 3 is a rear plan view thereof; and
FIG. 4 is a left side view thereof; and,
FIG. 5 is a right side view thereof.
Wherein the dotted lines illustrated herein form no part of the claimed design and are illustrated for the purpose of use and environment.

1 Claim, 2 Drawing Sheets

(56) **References Cited**

U.S. PATENT DOCUMENTS

- 1,492,250 A * 4/1924 Klette B42F 13/42
402/22
- 3,246,411 A * 4/1966 Aafedt A63B 71/0672
116/222
- D301,897 S * 6/1989 Wagner D19/65
- D383,784 S * 9/1997 Shyu D19/65



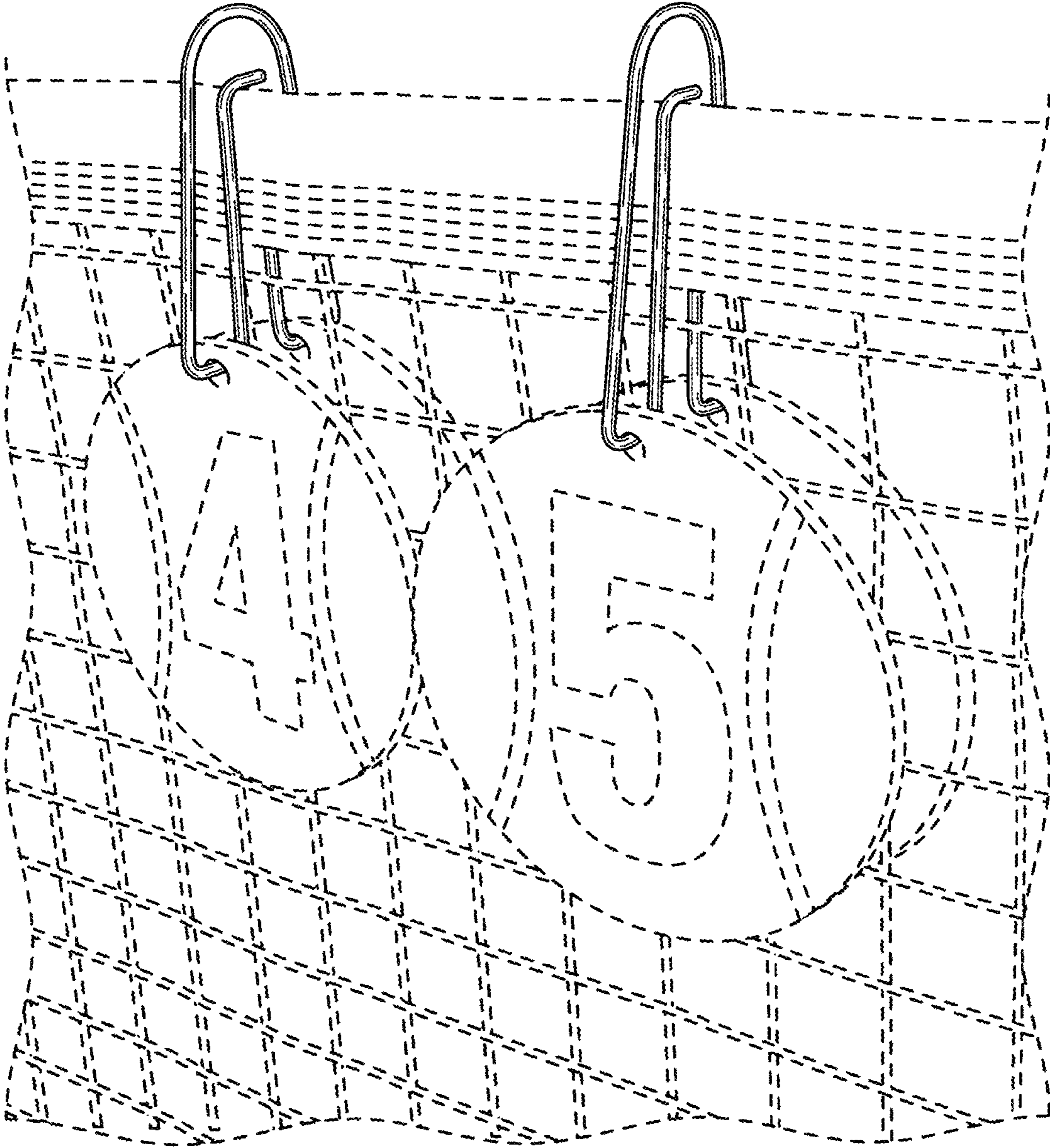


FIG. 1

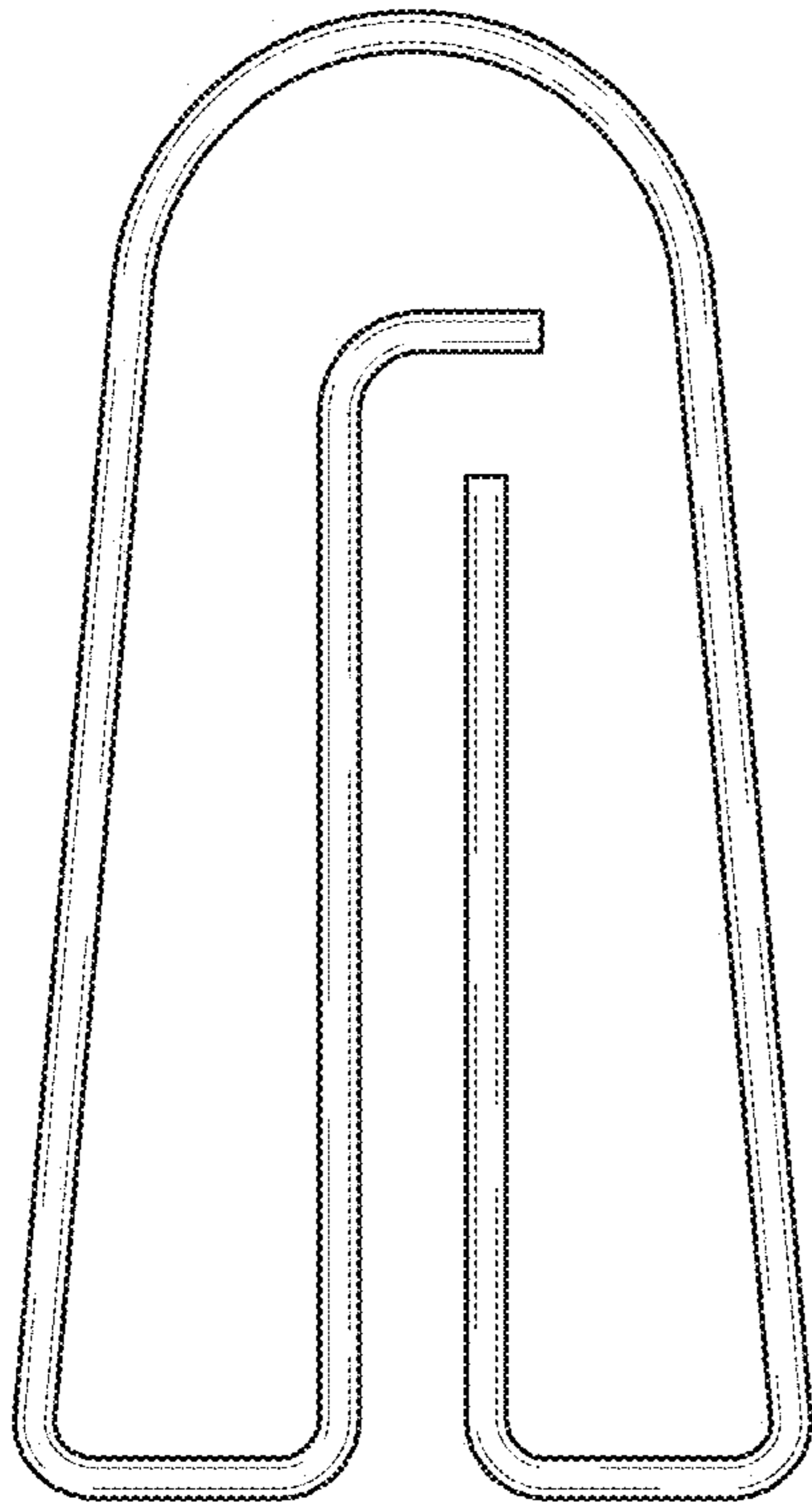


FIG. 2

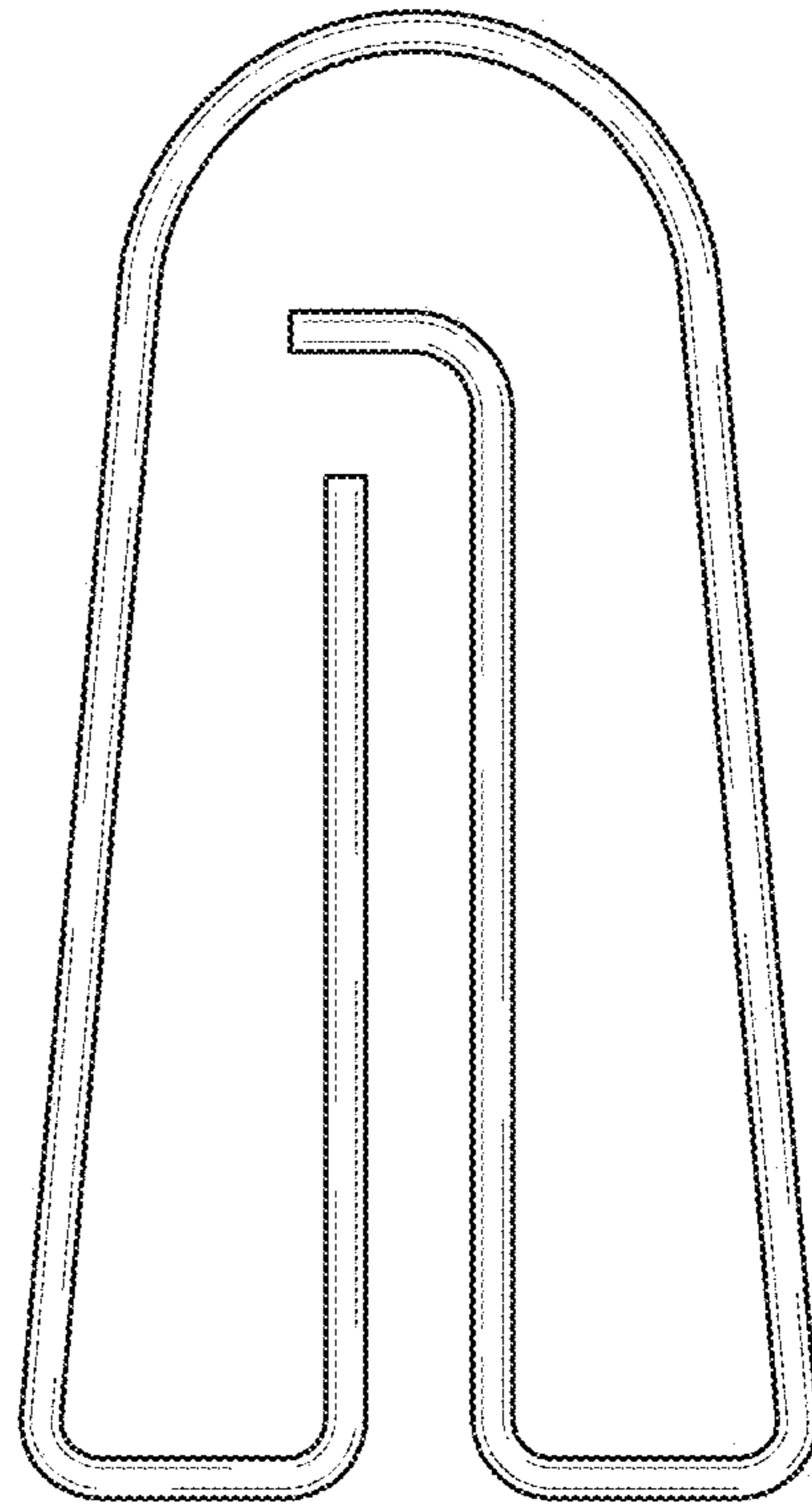


FIG. 3



FIG. 4

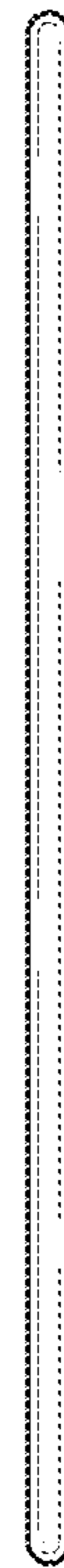


FIG. 5