



US00D879624S

(12) **United States Design Patent**
Behling

(10) **Patent No.:** **US D879,624 S**

(45) **Date of Patent:** **** Mar. 31, 2020**

(54) **WATCH**

(71) Applicant: **LVMH Swiss Manufactures SA**, La
Chaux-de-Fonds (CH)

(72) Inventor: **Christoph Behling**, London (GB)

(73) Assignee: **LVMH SWISS MANUFACTURES**
SA, La Chaux-de-Fonds (CH)

(**) Term: **15 Years**

(21) Appl. No.: **35/506,419**

(22) Filed: **Sep. 12, 2018**

(80) **Hague Agreement Data**

Int. Filing Date: **Sep. 12, 2018**
Int. Reg. No.: **DM/102982**
Int. Reg. Date: **Sep. 12, 2018**
Int. Reg. Pub. Date: **Mar. 15, 2019**

(30) **Foreign Application Priority Data**

Mar. 20, 2018 (CH) 143921

(51) **LOC (12) Cl.** **10-02**

(52) **U.S. Cl.**
USPC **D10/38**

(58) **Field of Classification Search**

USPC D10/30-39, 127, 128-129
See application file for complete search history.

(56) **References Cited**

U.S. PATENT DOCUMENTS

D642,084 S * 7/2011 Garcia D10/124
D708,075 S * 7/2014 Mille D10/39

D725,500 S * 3/2015 Biver D10/124
9,058,020 B2 * 6/2015 Rochat G04B 17/28
D800,578 S * 10/2017 Behling D10/30
D847,665 S * 5/2019 Behling D10/39
D849,565 S * 5/2019 Behling D10/39
D850,295 S * 6/2019 Behling D10/39
D850,936 S * 6/2019 Behling D10/32
D858,316 S * 9/2019 Behling D10/39
2011/0205855 A1 * 8/2011 Salzmann G04C 3/001
368/185

* cited by examiner

Primary Examiner — Michael A. Pratt

(74) *Attorney, Agent, or Firm* — McGlew and Tuttle, P.C.

(57) **CLAIM**

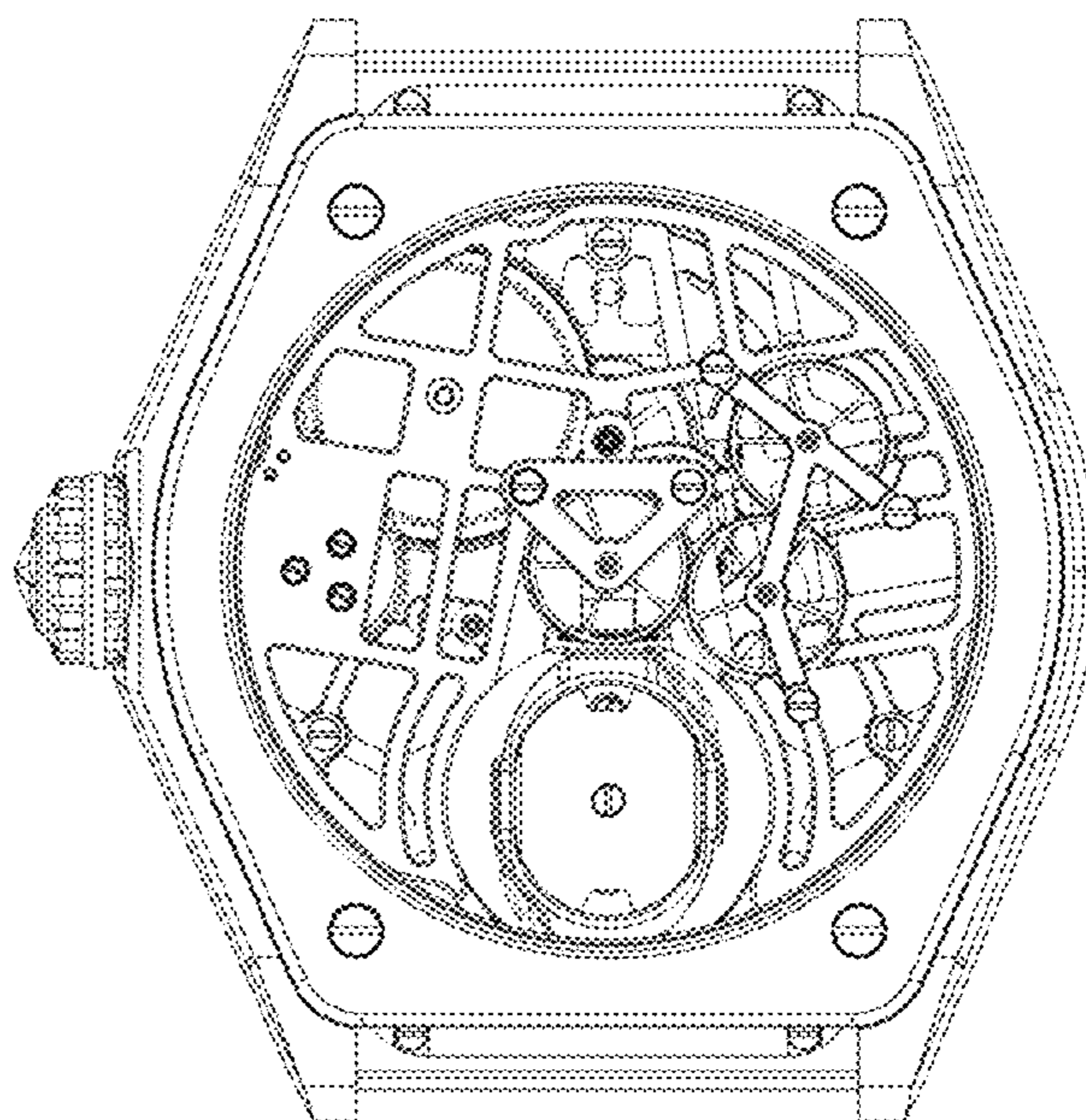
The ornamental design for a watch, as shown and described.

DESCRIPTION

- 1. Watch
- 1.1 : Perspective
- 1.2 : Back
- 1.3 : Right
- 1.4 : Left
- 1.5 : Bottom
- 1.6 : Top
- 1.7 : Front

Representation 1.1 is a perspective view of the watch; representation 1.2 is a back view of the watch; representation 1.3 is a right-side view of the watch; representation 1.4 is a left-side view of the watch; representation 1.5 is a bottom view of the watch; representation 1.6 is a top view of the watch; representation 1.7 is a front view of the watch.

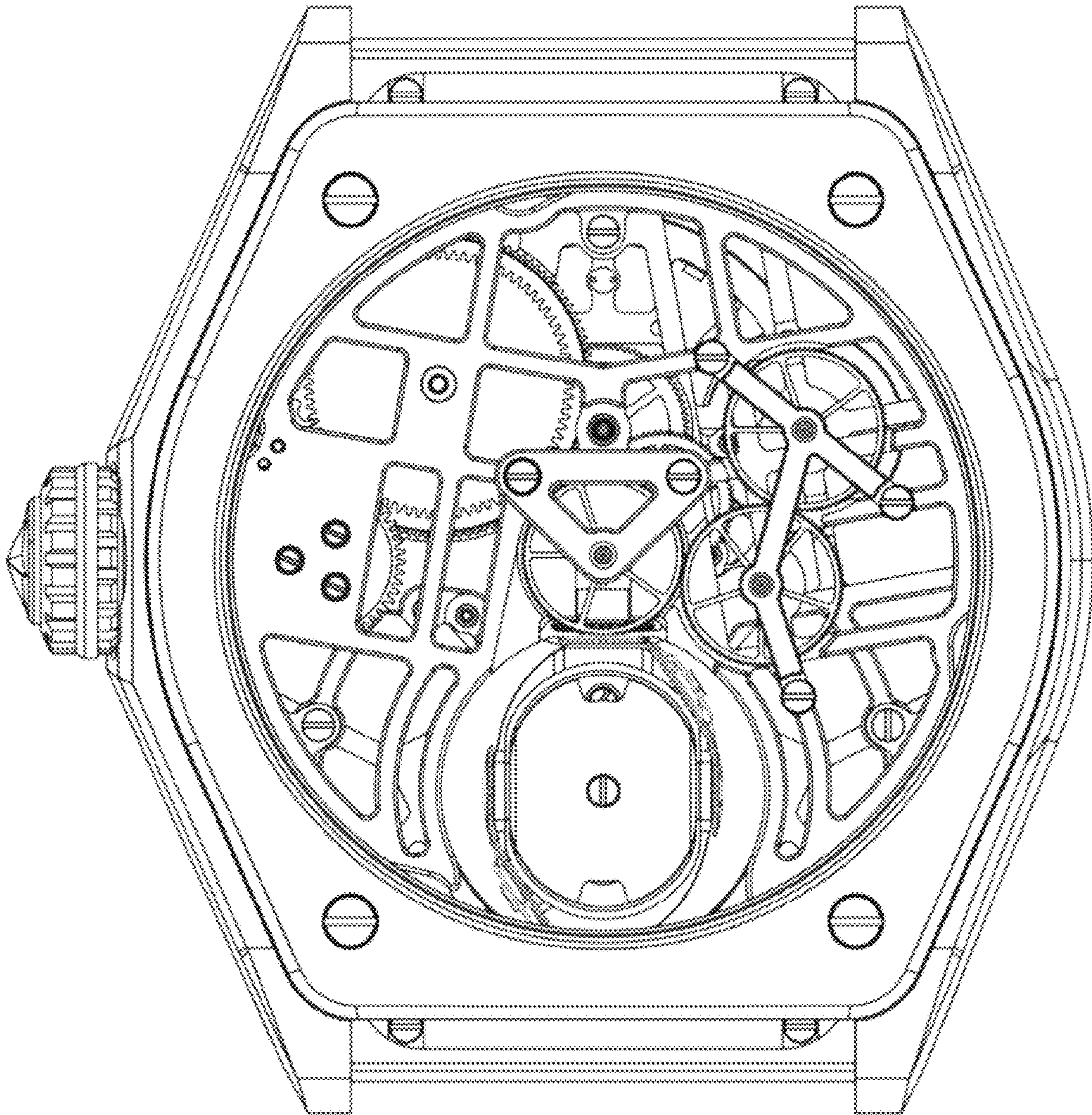
1 Claim, 7 Drawing Sheets



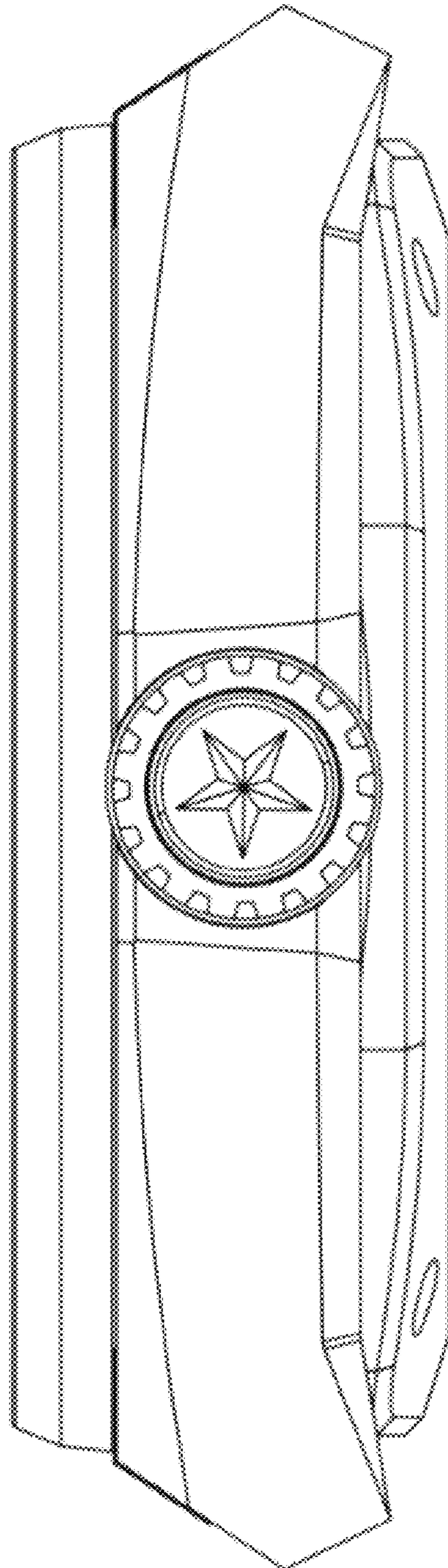
1.1



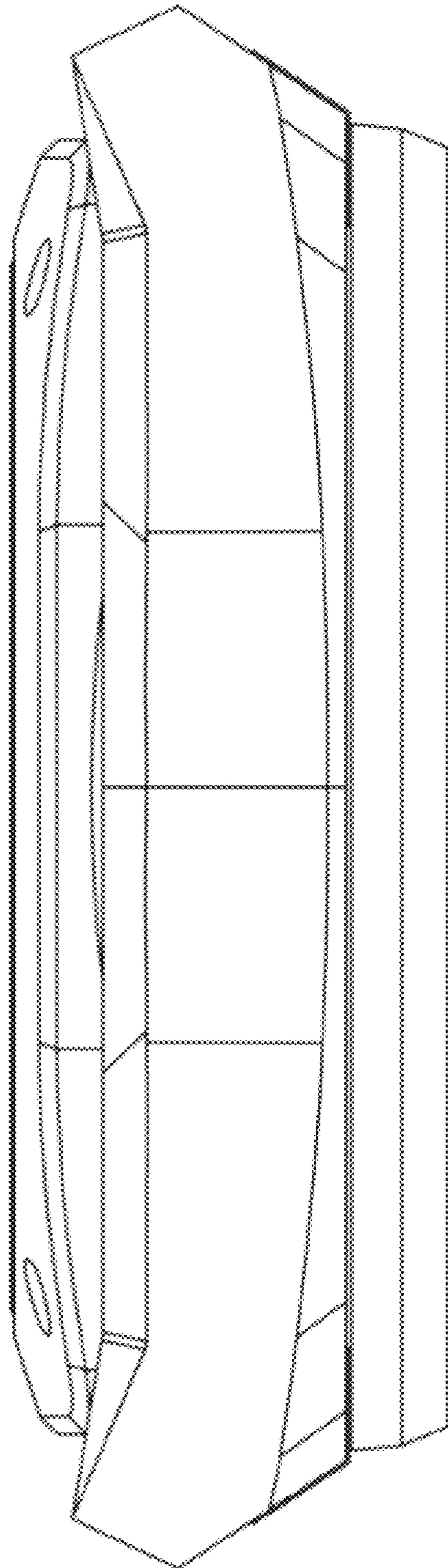
1.2



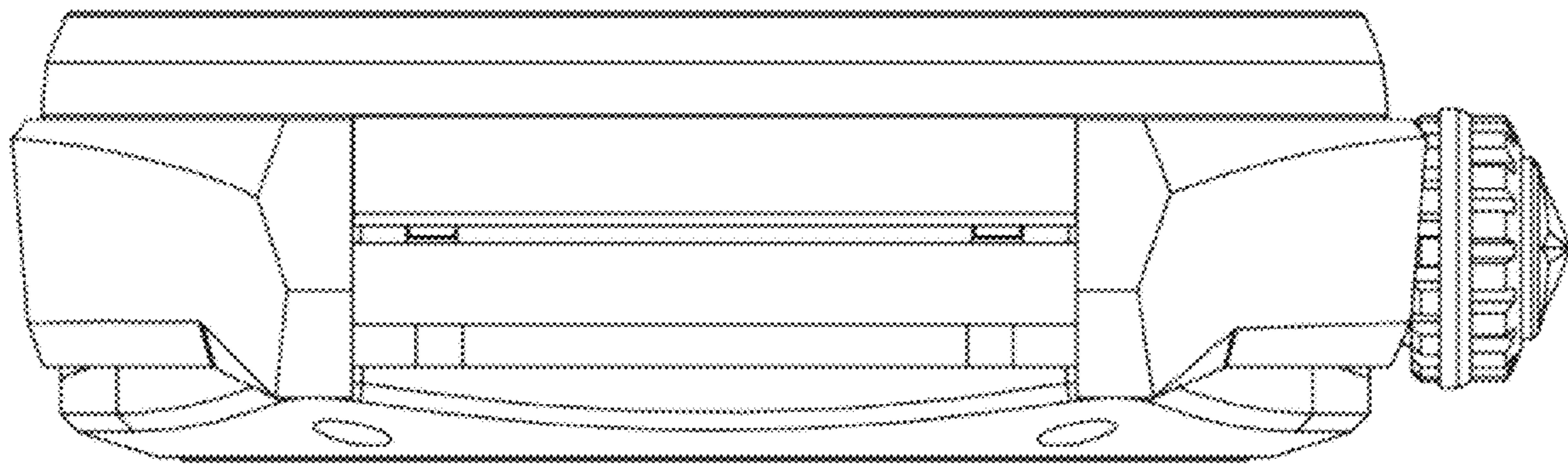
1.3



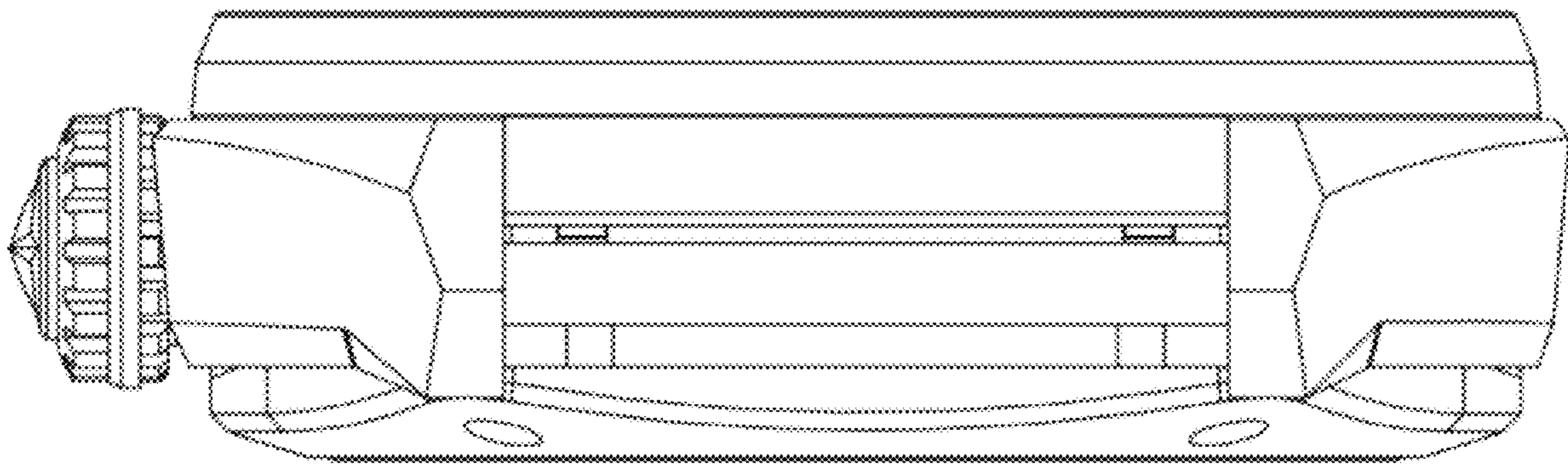
1.4



1.5



1.6



1.7

