



US00D879621S

(12) **United States Design Patent**
Sparks

(10) **Patent No.:** **US D879,621 S**

(45) **Date of Patent:** **** Mar. 31, 2020**

- (54) **HOT SAUCE BOTTLE**
- (71) Applicant: **Yvonne Sparks**, Chicago, IL (US)
- (72) Inventor: **Yvonne Sparks**, Chicago, IL (US)
- (**) Term: **15 Years**
- (21) Appl. No.: **29/654,900**
- (22) Filed: **Jun. 28, 2018**
- (51) **LOC (12) Cl.** **09-01**
- (52) **U.S. Cl.**
USPC **D9/644**; D9/446; D9/521
- (58) **Field of Classification Search**
USPC D9/600, 643–647, 434–454, 520–521,
D9/574–575; 206/457, 494, 459.5, 527,
206/540; 229/116.1; 446/77;
215/381–384, 400; D7/514–518, 539,
D7/544, 571, 301, 599, 604, 613, 619.2,
D7/623, 625, 628–630, 391–392.1;
D3/270–271.3, 271.8
CPC B65D 67/00; B65D 81/36; B65D 81/60;
B65D 81/368; B65D 2203/00; B65D
2203/02; B65D 5/42; B65D 5/4208;
B65D 77/00; A63H 33/16
See application file for complete search history.

- D604,116 S * 11/2009 Braidotti D9/644
- D613,599 S * 4/2010 Khubani D9/446
- D625,647 S * 10/2010 Marquez D11/125
- D629,685 S * 12/2010 Brannon D9/446
- D676,759 S * 2/2013 Jang D9/643
- D764,869 S * 8/2016 Smrtnik D7/515
- D791,611 S * 7/2017 Kwon D9/643

* cited by examiner

Primary Examiner — Sandra L Morris

(74) *Attorney, Agent, or Firm* — Vitale, Vickrey, Niro & Gasey LLP

(57) **CLAIM**

The ornamental design for a hot sauce bottle, as shown and described.

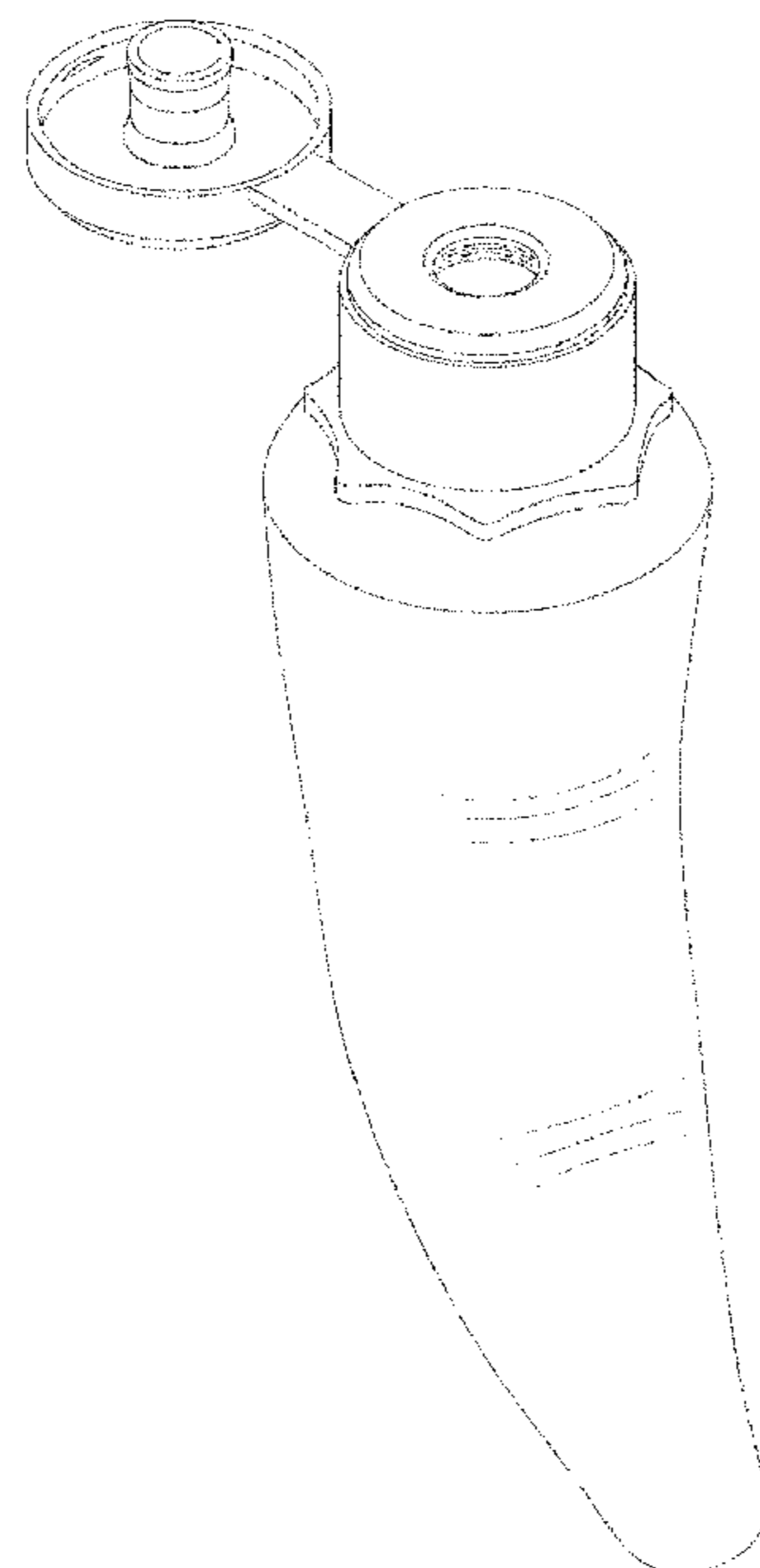
DESCRIPTION

FIG. 1 is a view of a hot sauce bottle's left side, wherein a cap of the hot sauce bottle is removed for ease of illustration; FIG. 2 is a front view thereof; FIG. 3 is a right-side view thereof; FIG. 4 is a back view thereof; FIG. 5 is a top view thereof; FIG. 6 is a bottom view thereof; FIG. 7 is a perspective view thereof; FIG. 8 is a right-side view of the hot sauce bottle with the cap shown; FIG. 9 is a front view thereof; FIG. 10 is a left-side view thereof; FIG. 11 is a back view thereof; FIG. 12 is a perspective view thereof; FIG. 13 is a right view of the cap of the hot sauce bottle, with the hot sauce bottle removed for ease of illustration; FIG. 14 is a top view thereof; FIG. 15 is a left view thereof; and, FIG. 16 is a bottom view thereof.

1 Claim, 14 Drawing Sheets

(56) **References Cited**
U.S. PATENT DOCUMENTS

- D292,556 S * 11/1987 Daugherty D9/645
- D392,890 S * 3/1998 Zaksenberg D9/575
- D398,225 S * 9/1998 Zaksenberg D9/520
- D402,545 S * 12/1998 Kerdoon D9/601
- D472,344 S * 3/2003 Angeletta D9/645
- D522,375 S * 6/2006 Archeny D9/643
- D559,625 S * 1/2008 Ablo D7/539
- D602,250 S * 10/2009 Reiff D3/270



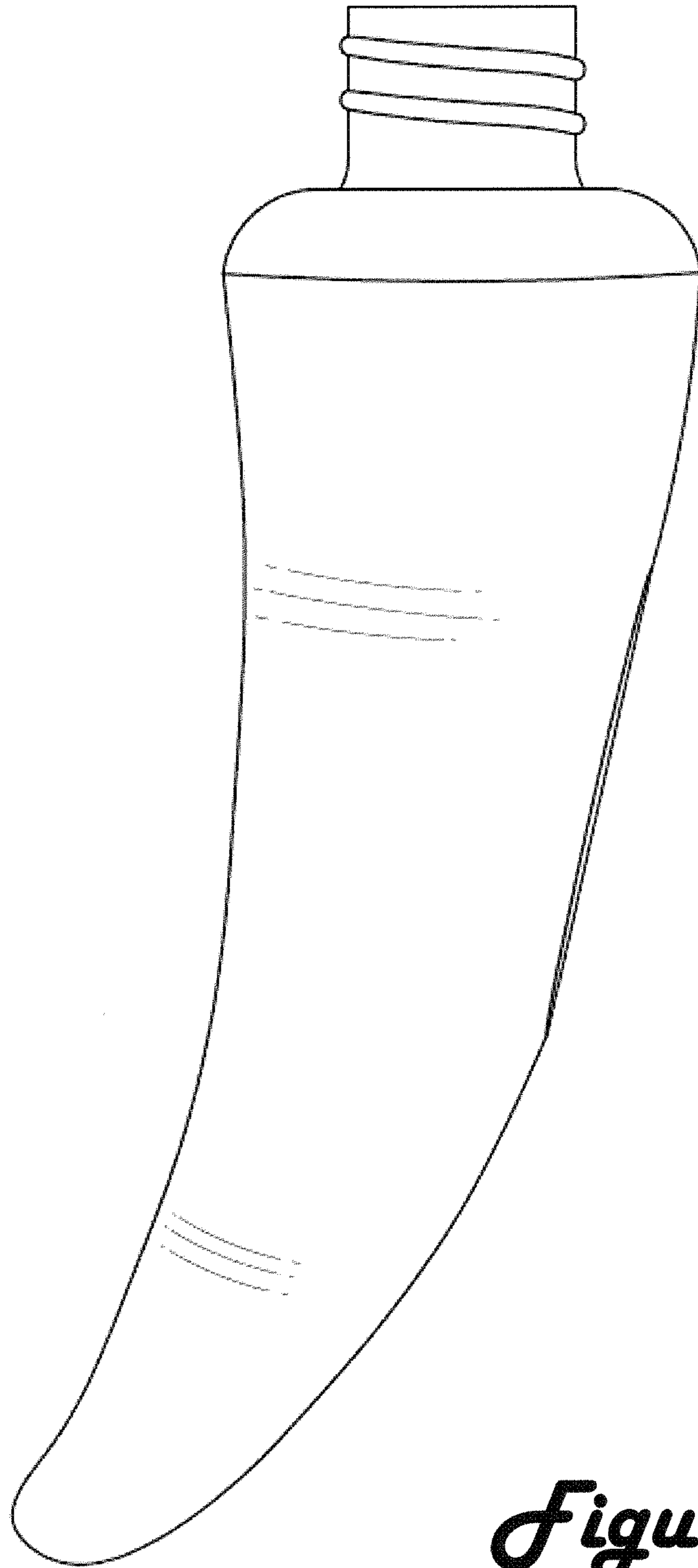


Figure 1

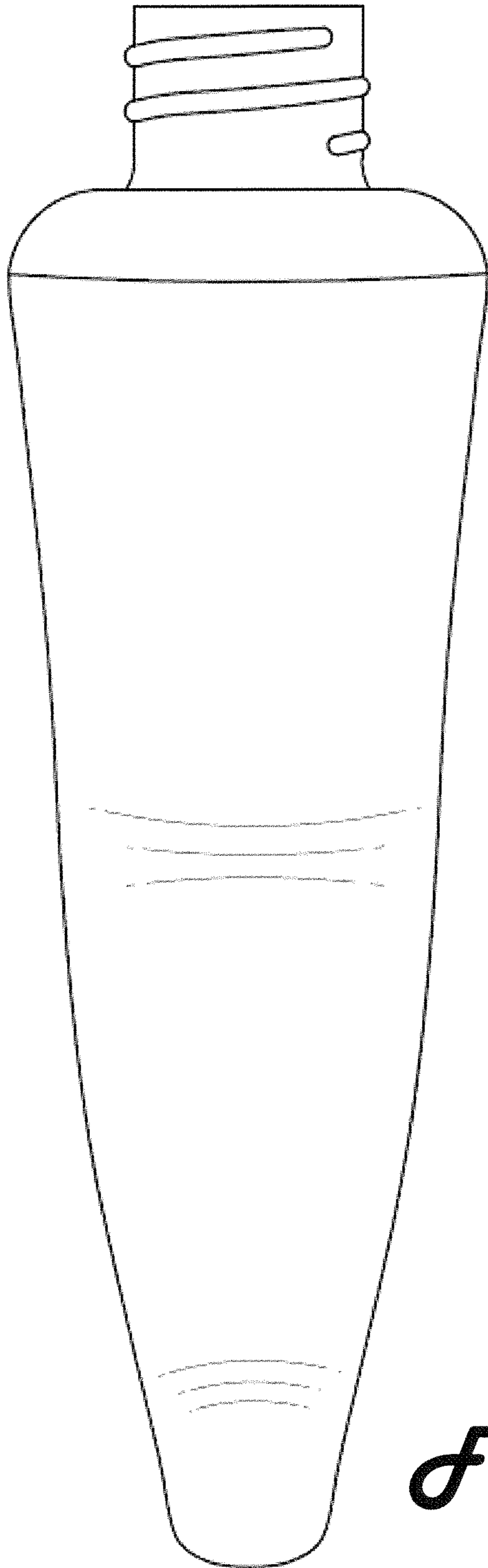


Figure 2

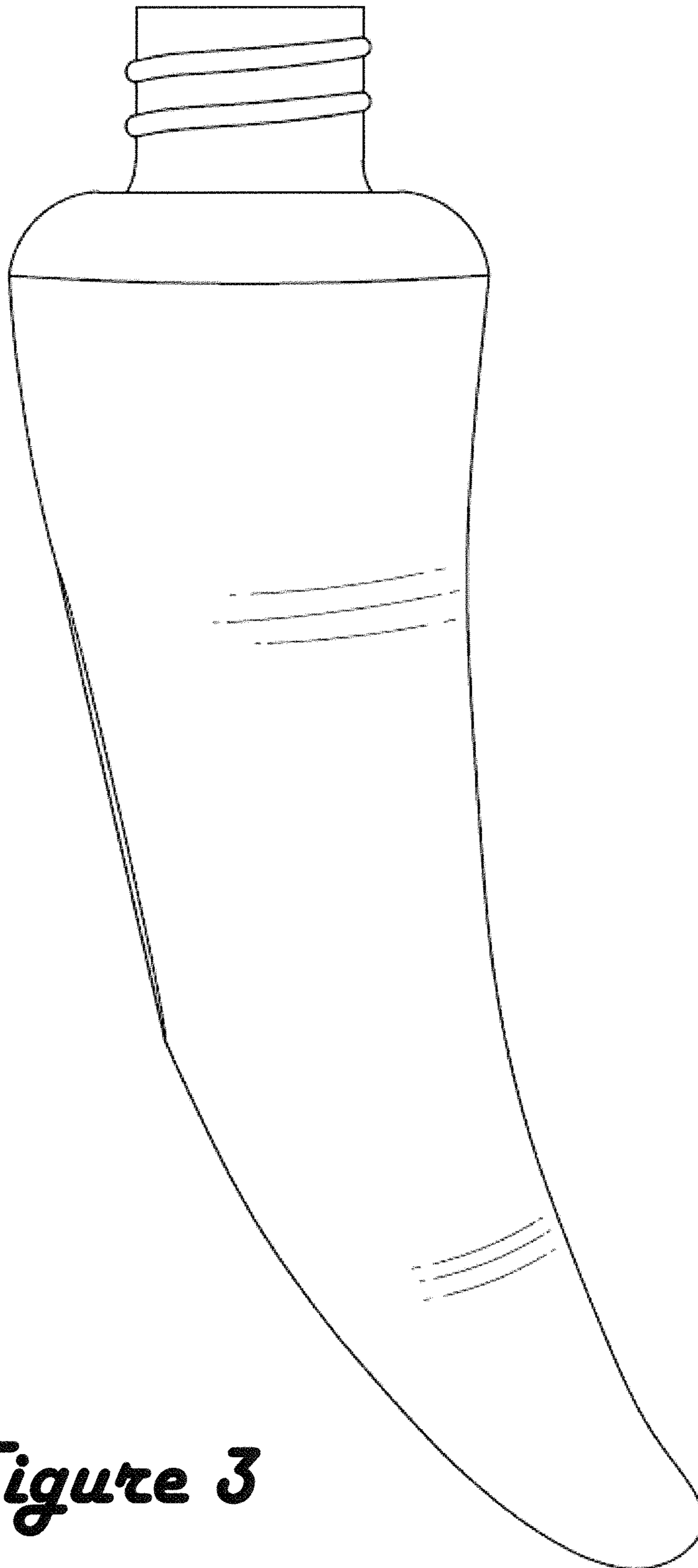


Figure 3

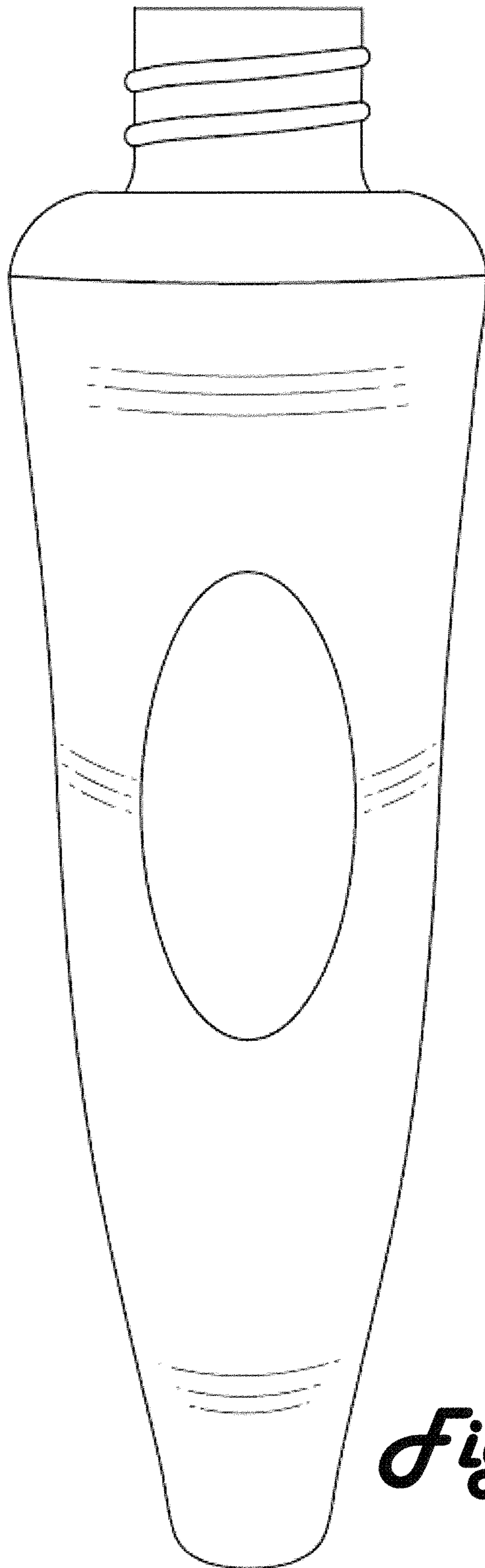


Figure 4

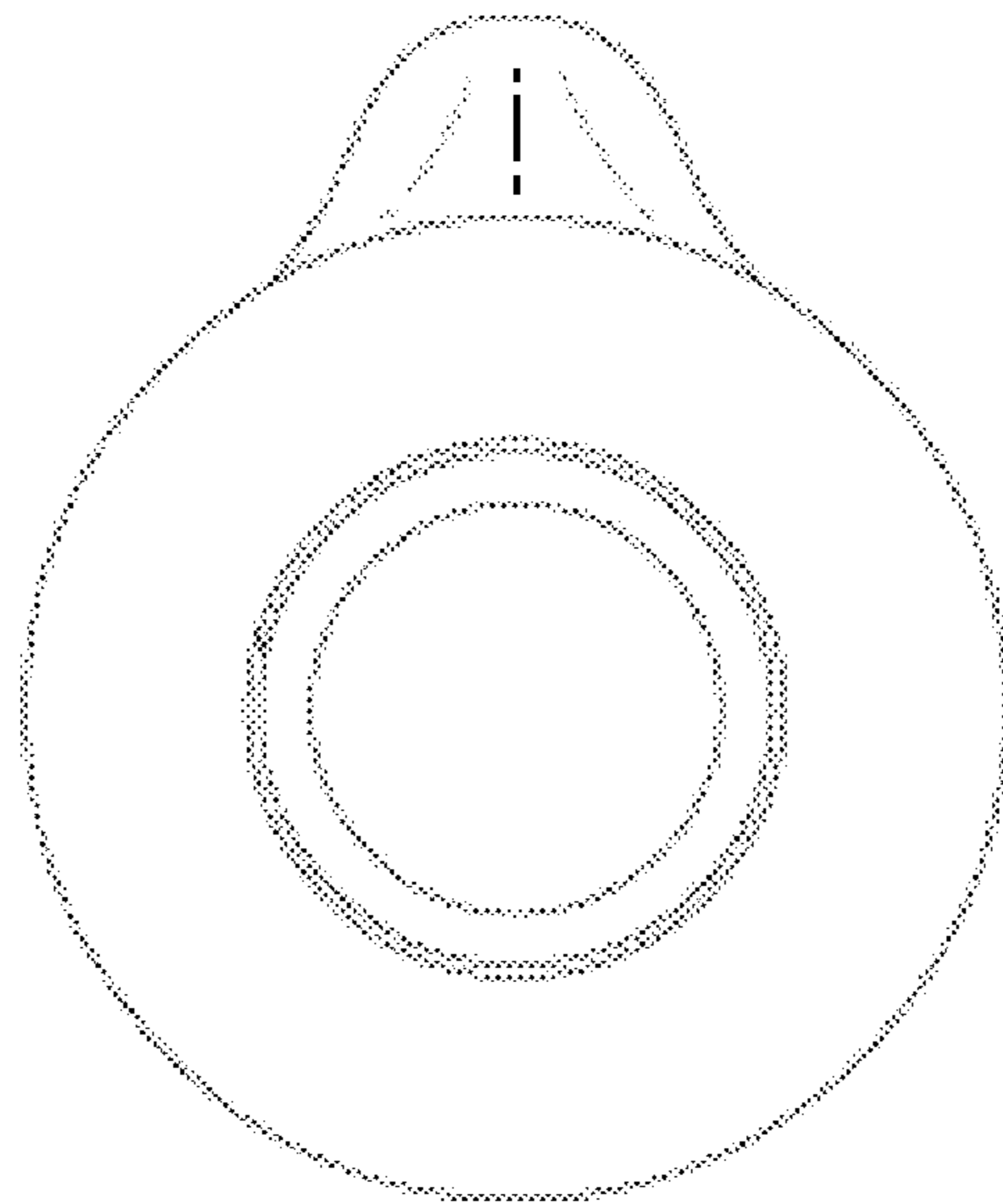


Figure 5

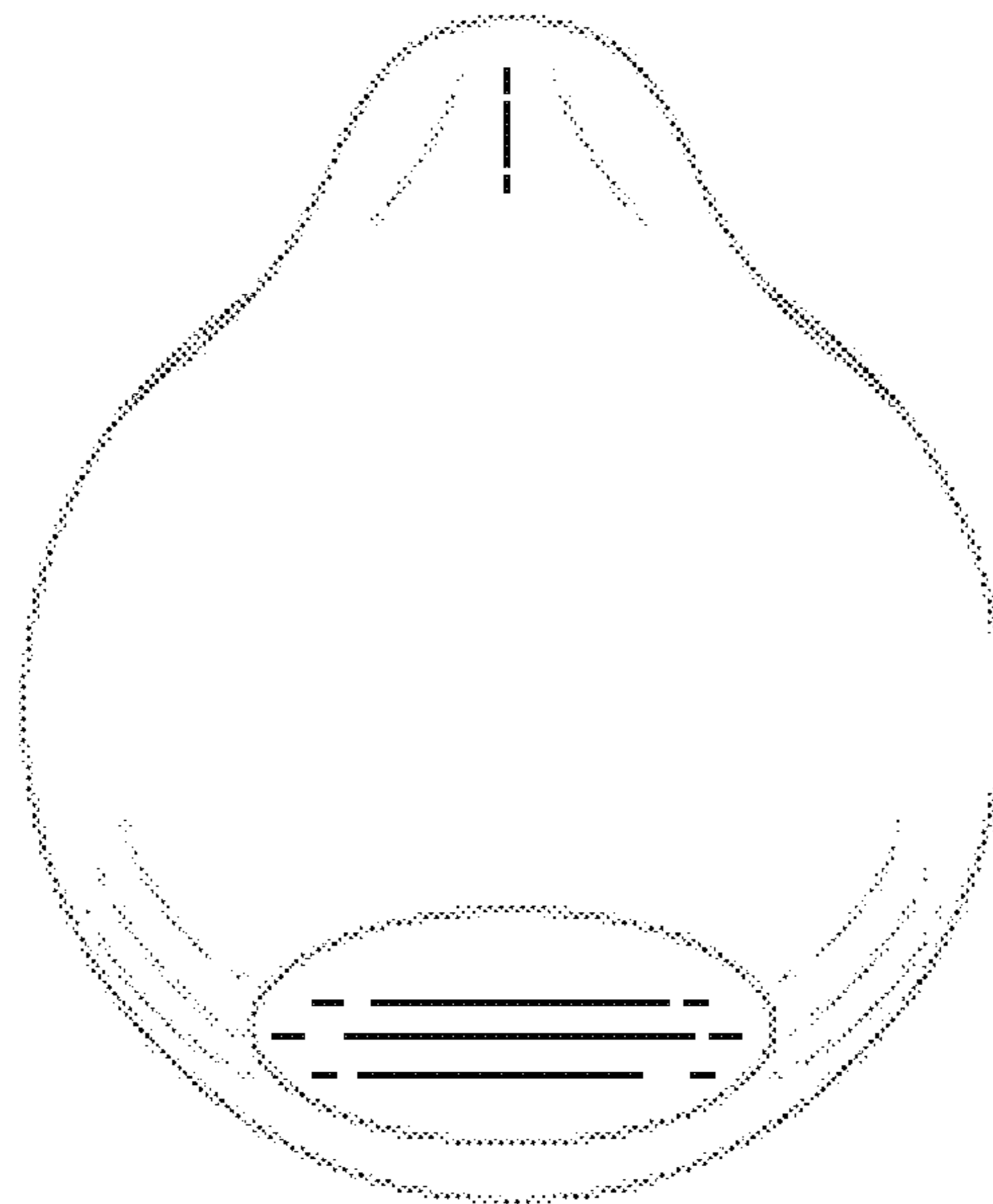


Figure 6

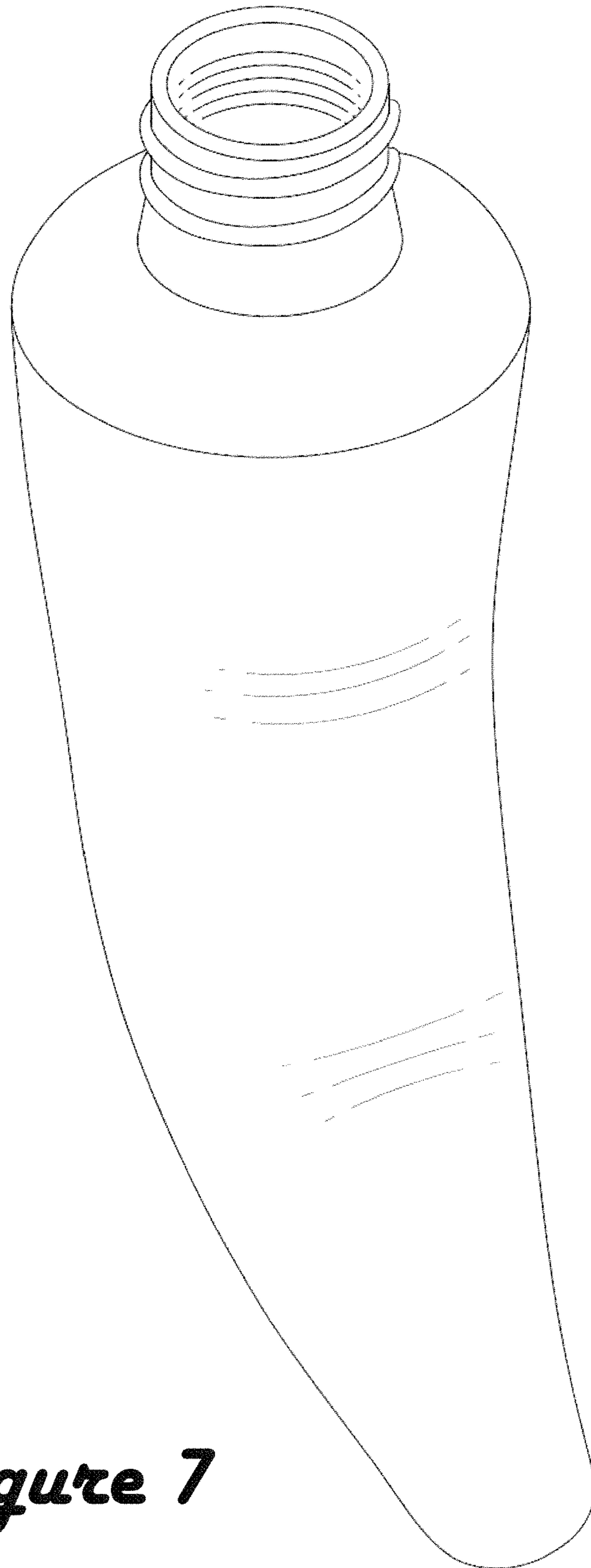


Figure 7



Figure 8

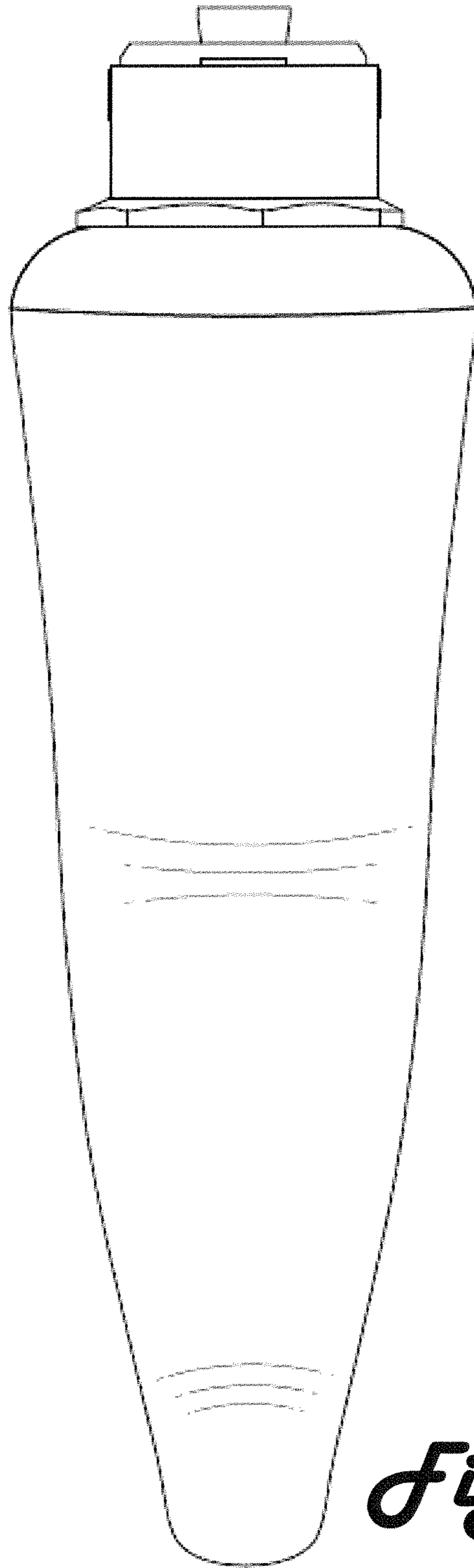


Figure 9



Figure 10

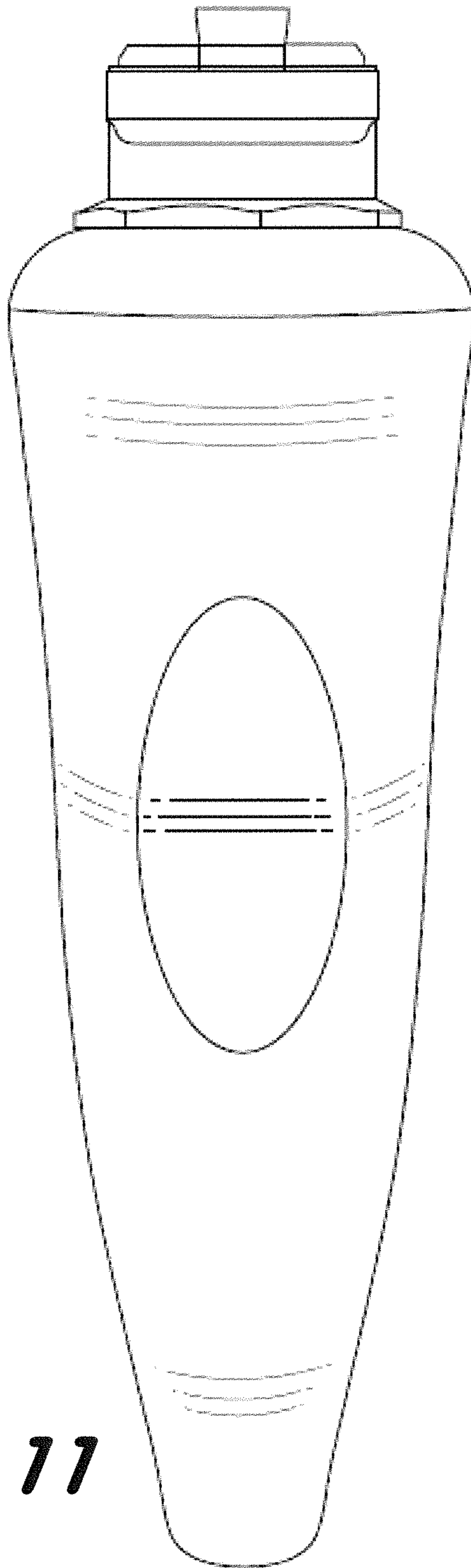


Figure 11

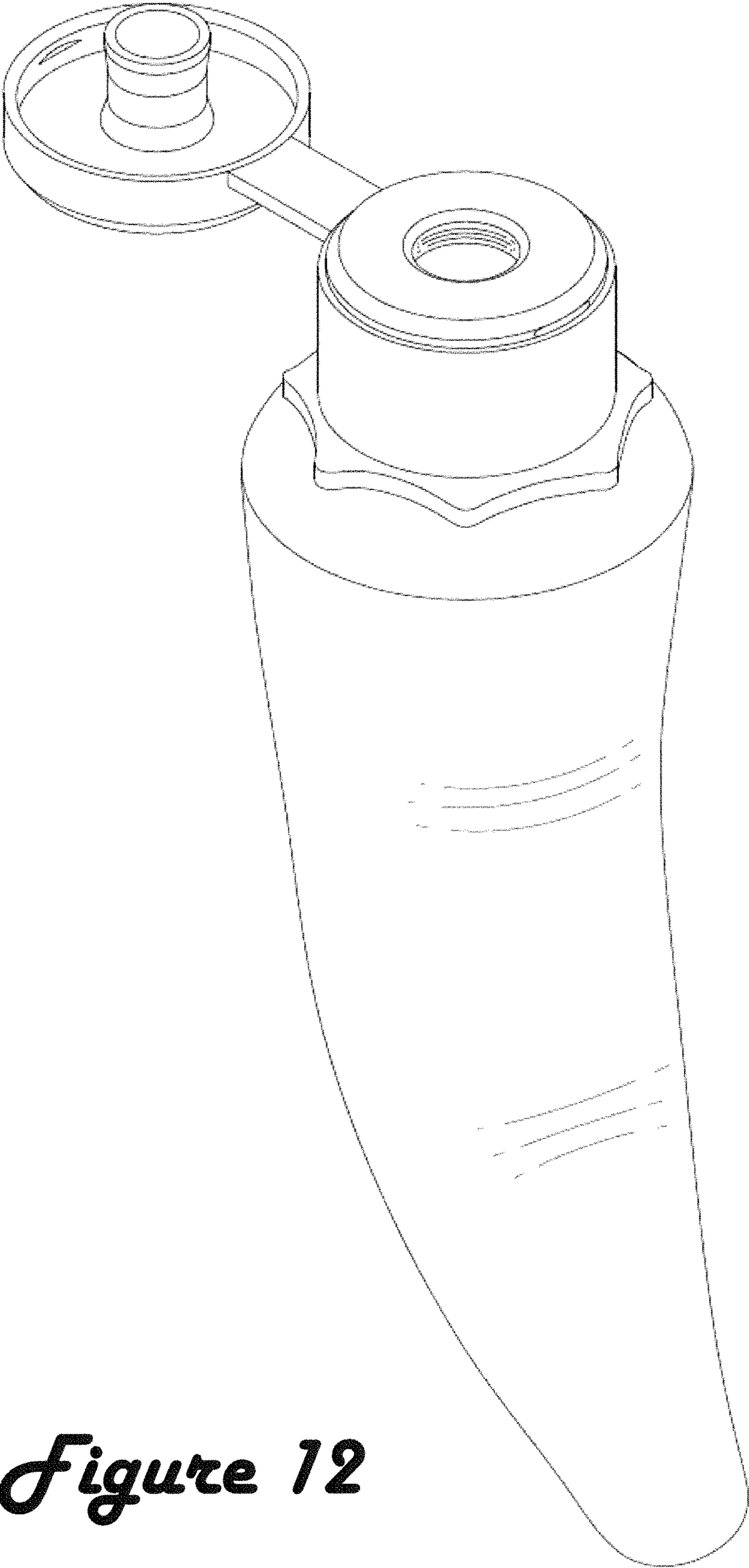


Figure 12

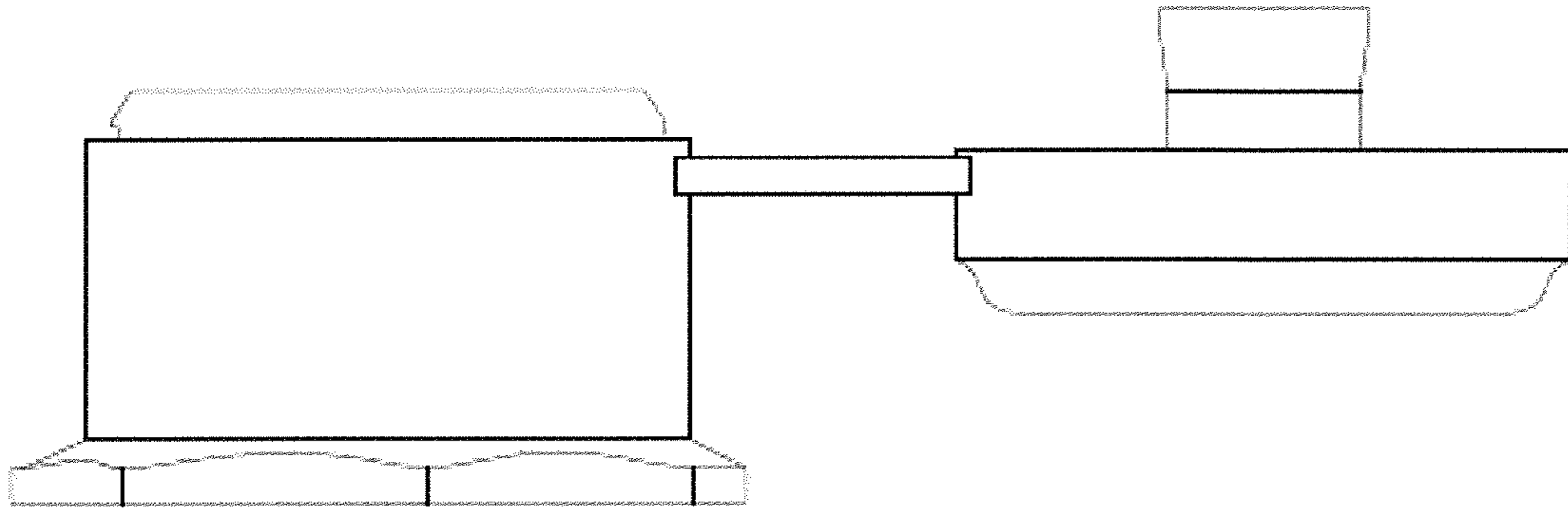


Figure 13

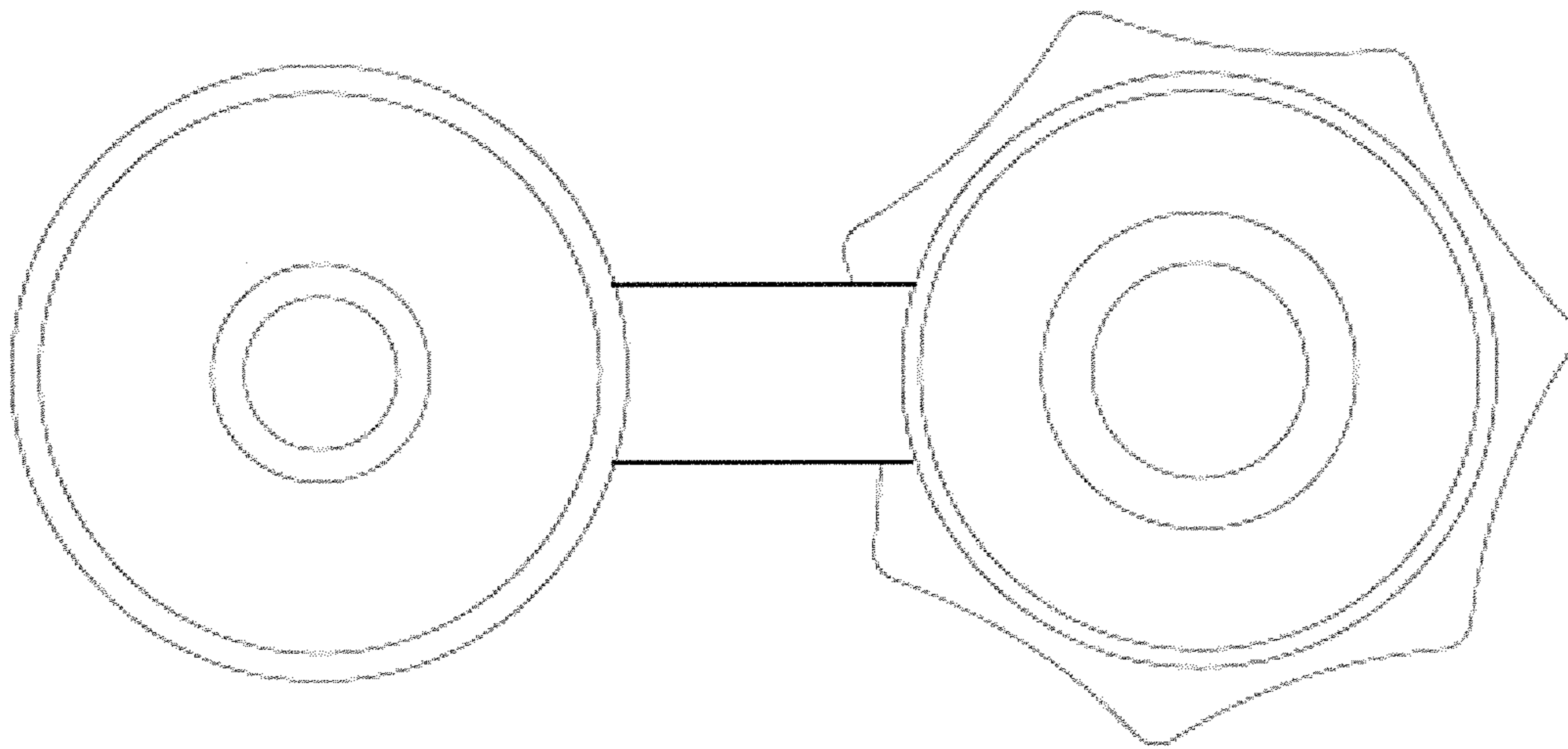


Figure 14

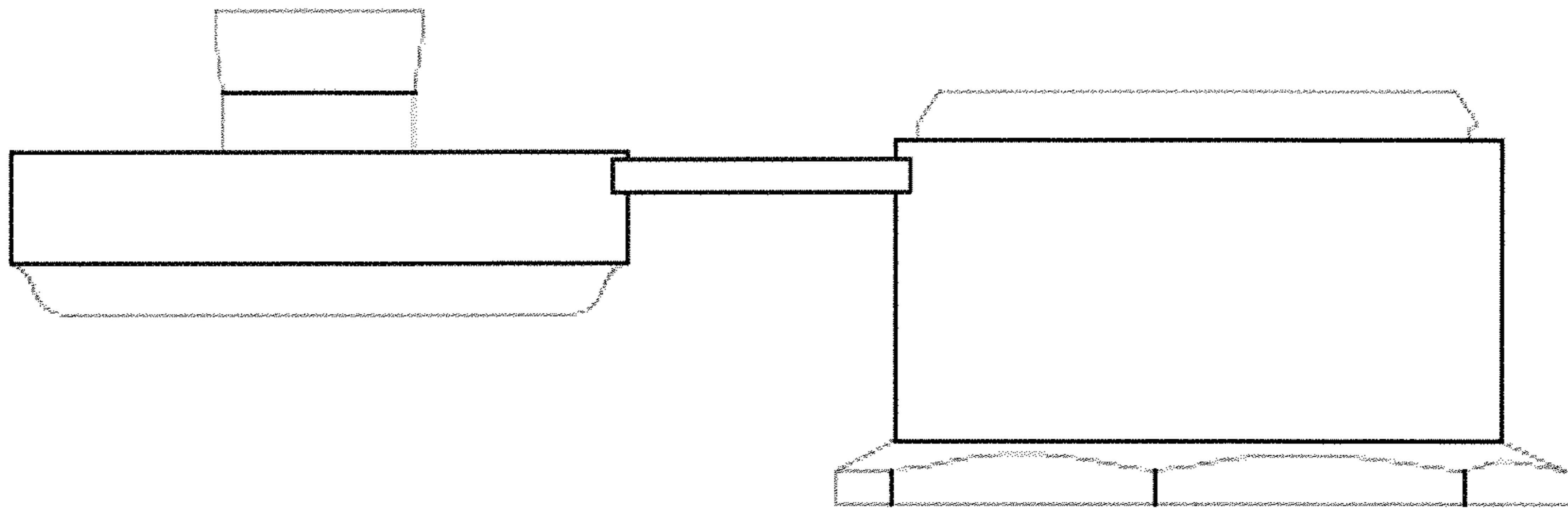


Figure 15

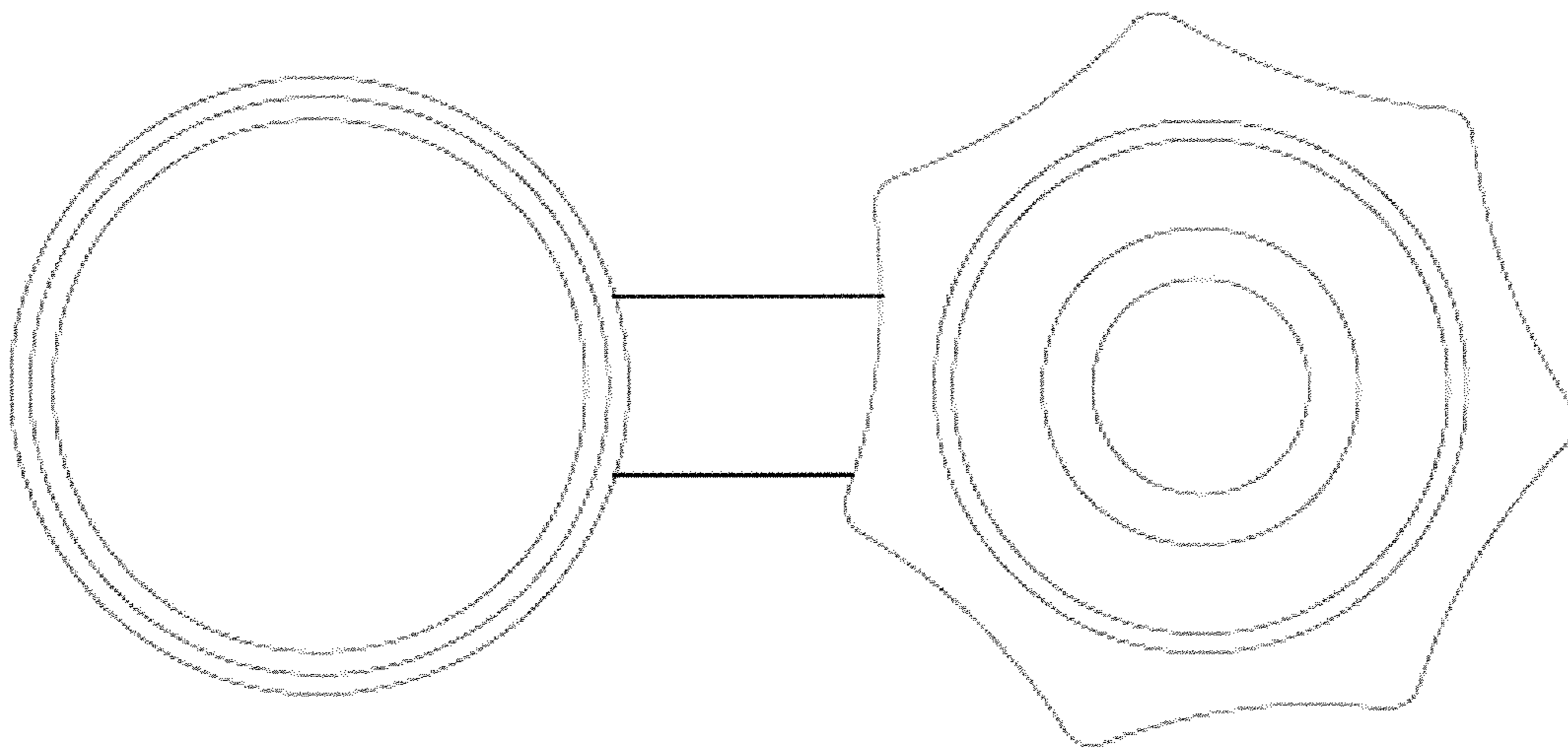


Figure 16