



US00D879620S

(12) **United States Design Patent**
Tamagushi

(10) **Patent No.:** **US D879,620 S**
(45) **Date of Patent:** **** Mar. 31, 2020**

(54) **PACKAGING FOR CONFECTIONERIES**

(71) Applicant: **Ed and Don's of Hawaii**, Honolulu, HI (US)

(72) Inventor: **Yuki Tamagushi**, Yokohama (JP)

(**) Term: **15 Years**

(21) Appl. No.: **29/670,193**

(22) Filed: **Nov. 14, 2018**

(51) **LOC (12) Cl.** **09-03**

(52) **U.S. Cl.**
USPC **D9/631; D9/432; D9/433**

(58) **Field of Classification Search**
USPC **D9/414-423, 430-433, 434, 456, 457, D9/711, 713, 721-722, 600, 631; D20/10, 22, 27, 40, 42**

(Continued)

(56) **References Cited**

U.S. PATENT DOCUMENTS

4,285,427 A * 8/1981 Webinger B65D 85/182

206/292

D270,041 S * 8/1983 Vestal D9/416

(Continued)

OTHER PUBLICATIONS

Aloha Shirt Product Line. [online] Retrieved Nov. 12, 2019 from URL: <https://eddons.myshopify.com/pages/aloha-shirt-product-line-available-only-at-these-5-abc-stores>.*

(Continued)

Primary Examiner — Vy N Koenig

(74) *Attorney, Agent, or Firm* — Jeffrey G. Sheldon; Cisló & Thomas

(57) **CLAIM**

The ornamental design for packaging for confectioneries, as shown and described.

DESCRIPTION

FIG. 1 is a perspective view of a first embodiment of a packaging for confectioneries according to the present invention, having a label space, wherein the packaging is in its folded state;

FIG. 2 is a front elevation view of the packaging of FIG. 1; FIG. 3 is a rear elevation view of the packaging of FIG. 1; FIG. 4 is a right side elevation view of the packaging of FIG. 1 wherein the left side elevation view is a mirror image thereof;

FIG. 5 is a top plan view of the packaging of FIG. 1; FIG. 6 is a bottom plan view of the packaging of FIG. 1; FIG. 7 is a perspective view of a second embodiment of packaging for confectioneries according to the present invention like that of FIG. 1, except that no label space is shown, and wherein the front elevation view, rear elevation view, right side elevation view, and bottom plan view are the same as in FIGS. 2, 3, 4, and 6, respectively, and the left side elevation view is a mirror image of the right side elevation view;

FIG. 8 is a top plan view of the packaging of FIG. 7; FIG. 9 is a perspective view of the first embodiment of the packaging for confectioneries according to the present invention in an alternate configuration, wherein the embodiment of FIG. 1 has been unfolded and then refolded into a shirt design, with a label space shown in solid lines;

FIG. 10 is a front elevation view of the packaging of FIG. 9;

FIG. 11 is a rear elevation view of the packaging of FIG. 9; FIG. 12 is a right side elevation view of the packaging of FIG. 9 wherein the left side view is a mirror image thereof;

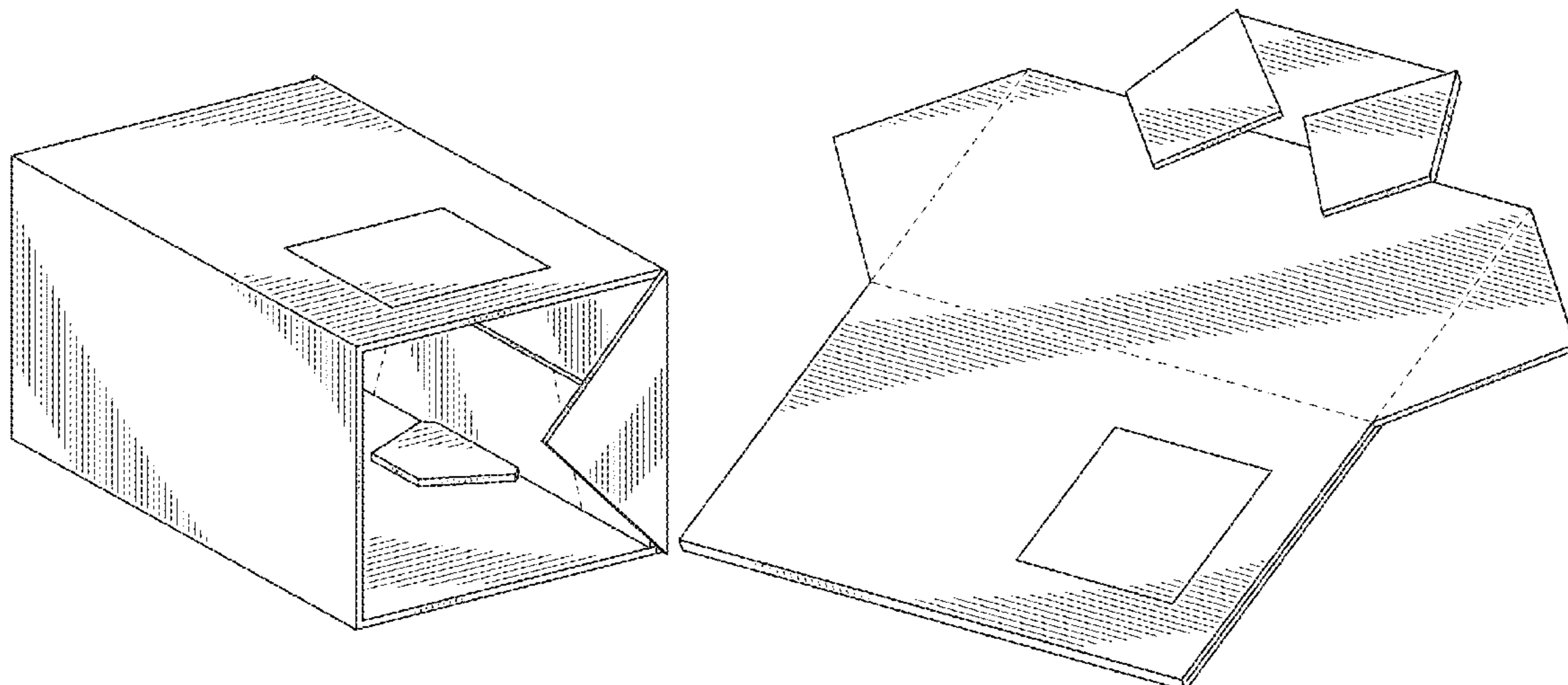
FIG. 13 is a top plan view of the packaging of FIG. 9;

FIG. 14 is a bottom plan view of the packaging of FIG. 9; and

FIG. 15 is a top plan view of a second embodiment of packaging for confectioneries according to the present invention like that of FIG. 9, except that no label space is shown, wherein the front elevation view, rear elevation view, right side elevation view, and bottom plan view are the same as in FIGS. 10, 11, 12, and 14, respectively, and the left side elevation view is a mirror image of the right side elevation view; and,

FIG. 16 is a top plan view of the packaging of FIG. 15. All portions of the drawings shown in dashed lines depict environmental subject matter only and form no part of the claimed design.

1 Claim, 6 Drawing Sheets



(58) **Field of Classification Search**

CPC ... B65D 5/00; B65D 5/02; B65D 5/18; B65D
5/20

See application file for complete search history.

(56) **References Cited**

U.S. PATENT DOCUMENTS

D525,521	S	*	7/2006	Bruns	D9/531
D545,687	S	*	7/2007	Krinsky	D9/414
D574,887	S	*	8/2008	MacLeod	D19/6
D617,649	S	*	6/2010	Puglisi	D9/631
D621,233	S	*	8/2010	Pearson	D7/710
D638,303	S	*	5/2011	Whitfield	D9/631
D738,202	S	*	9/2015	Stone	D9/418
D863,062	S	*	10/2019	Feldman	D9/631

OTHER PUBLICATIONS

A Day for Dad My Time, My Creations. [online] Published on Apr. 28, 2012. Retrieved Nov. 1, 2019 from URL: <https://laurenmsplitcoaststampers.com/2012/04/28/may-release-preview-1-a-day-for-dad/>.*

* cited by examiner

FIG. 1

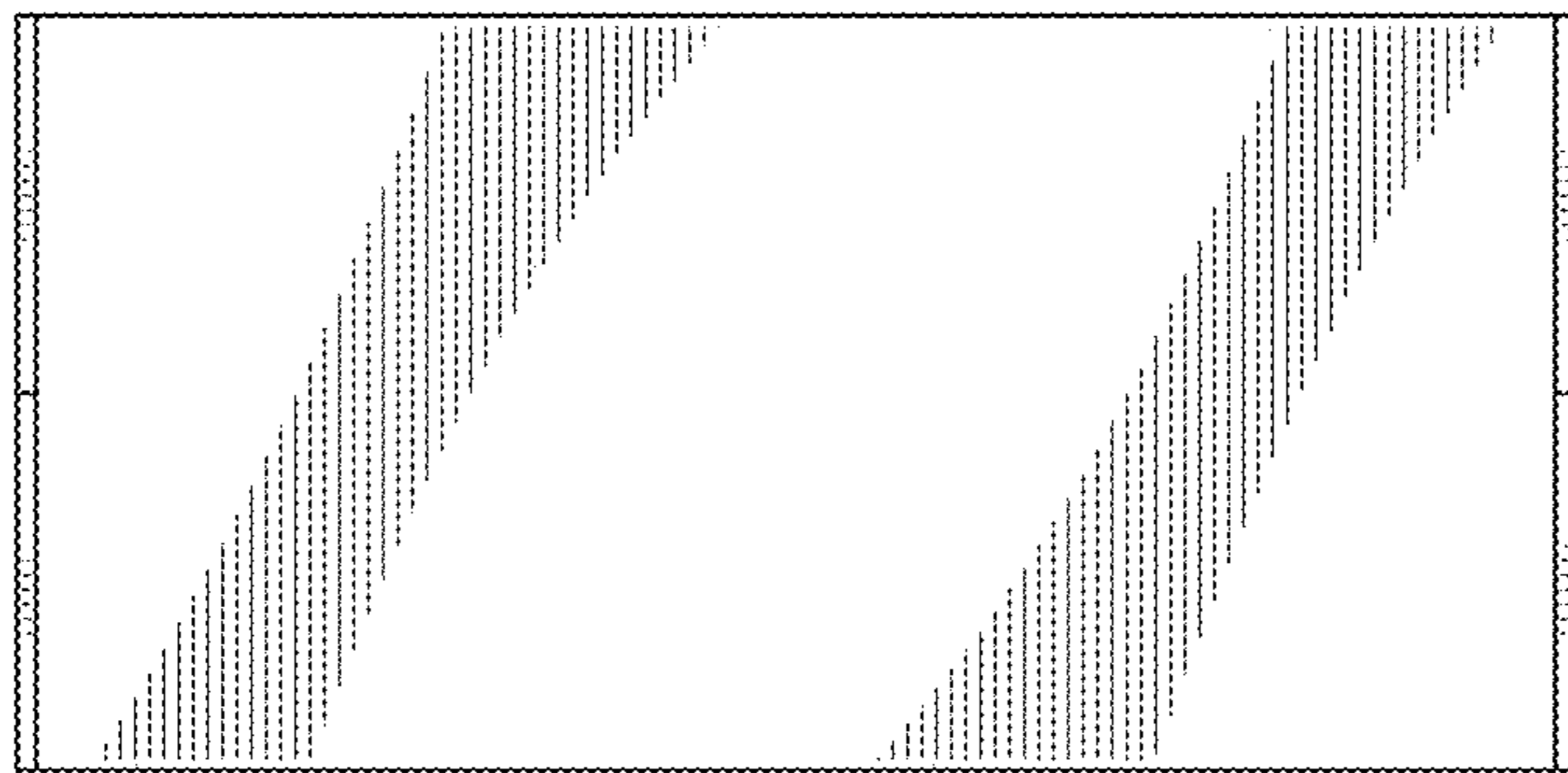
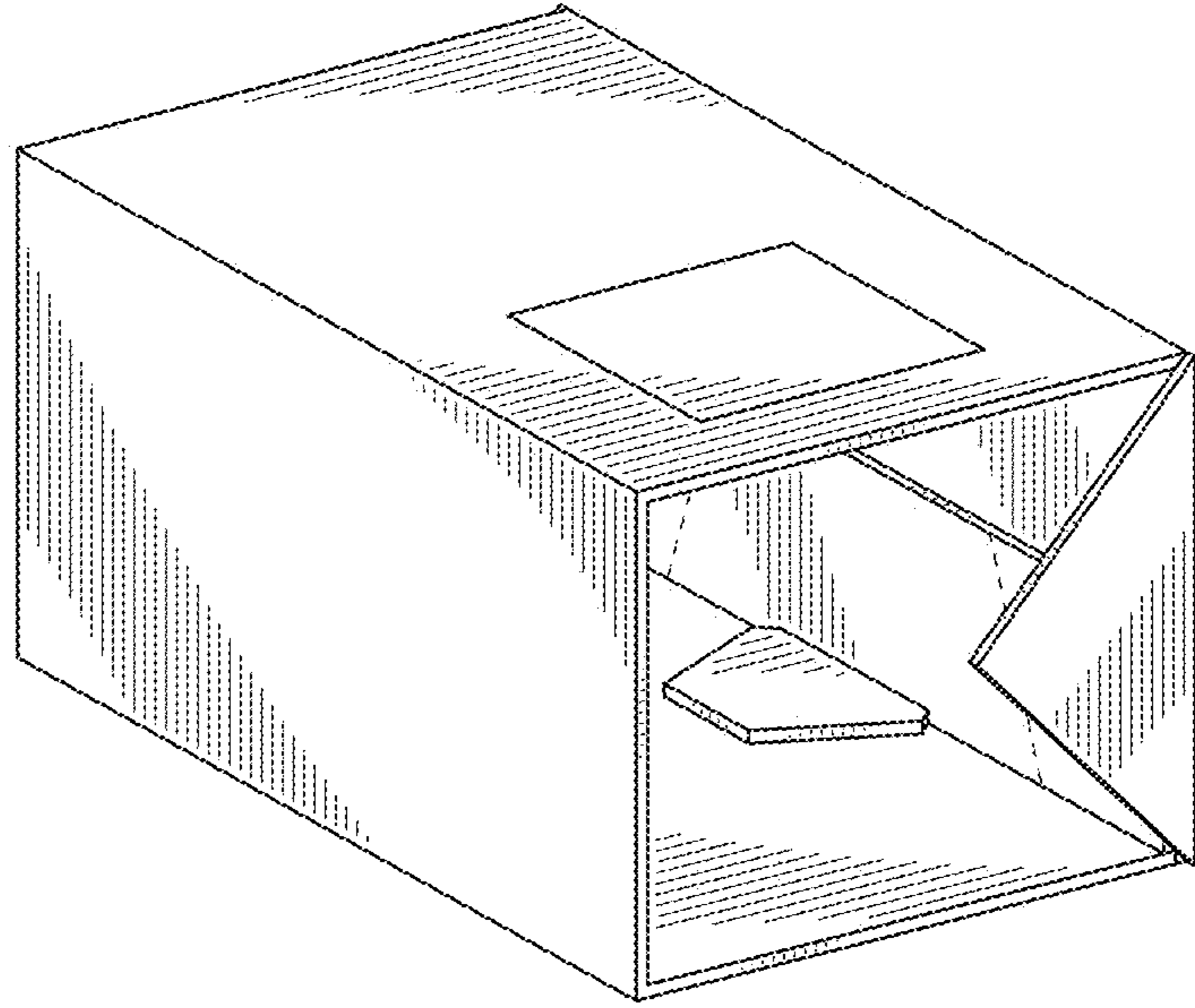


FIG. 2

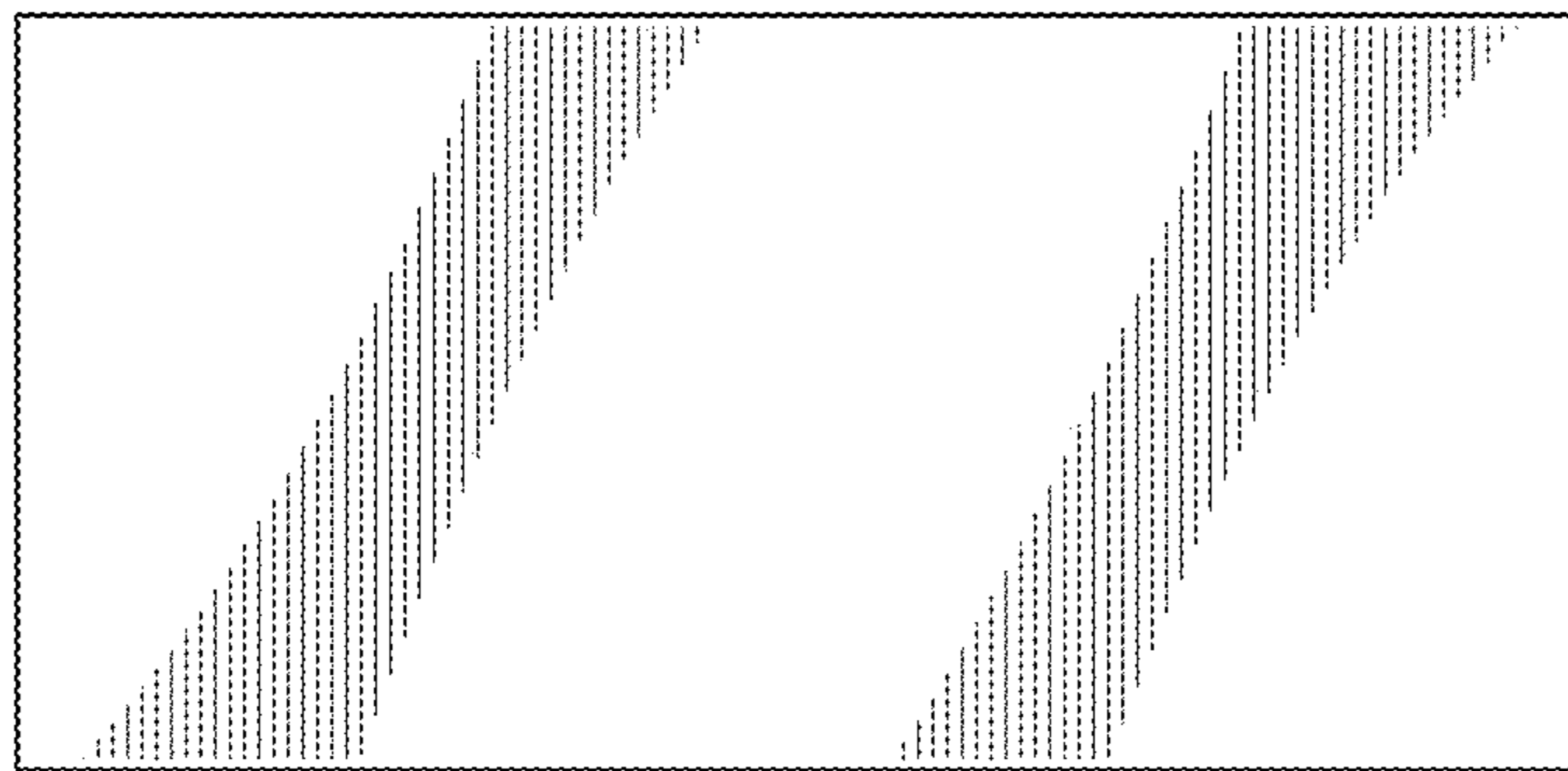


FIG. 3

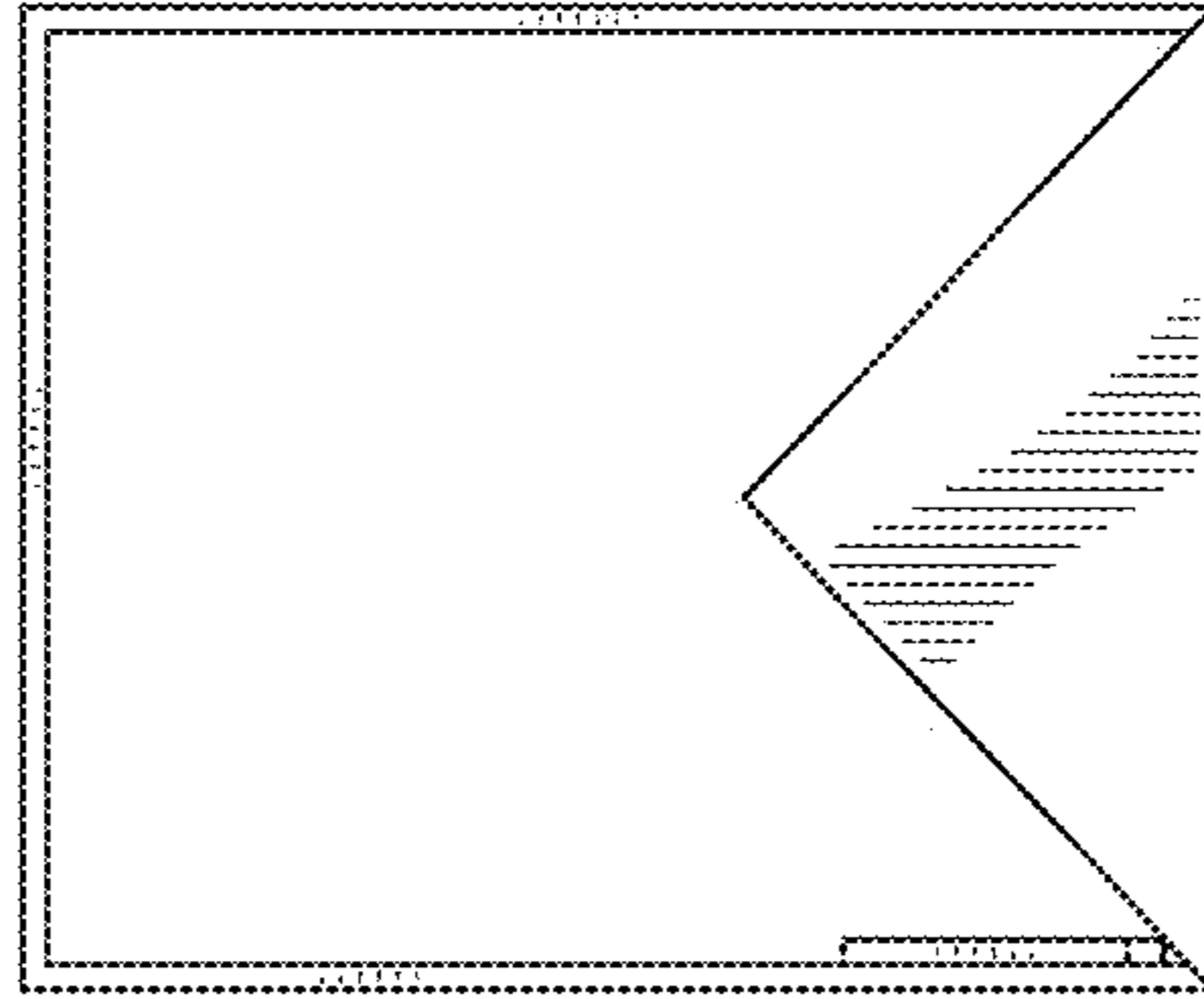


FIG. 4

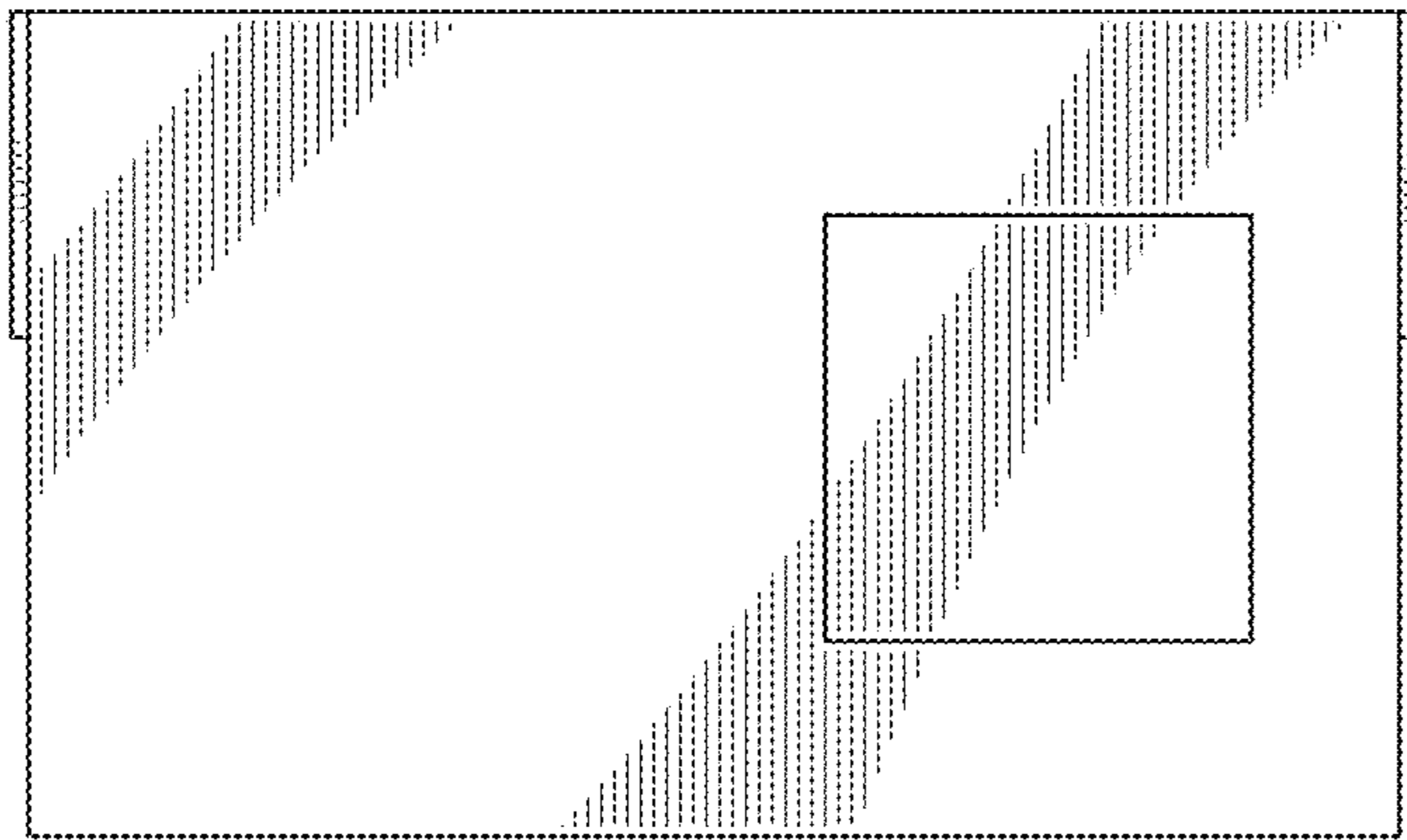


FIG. 5

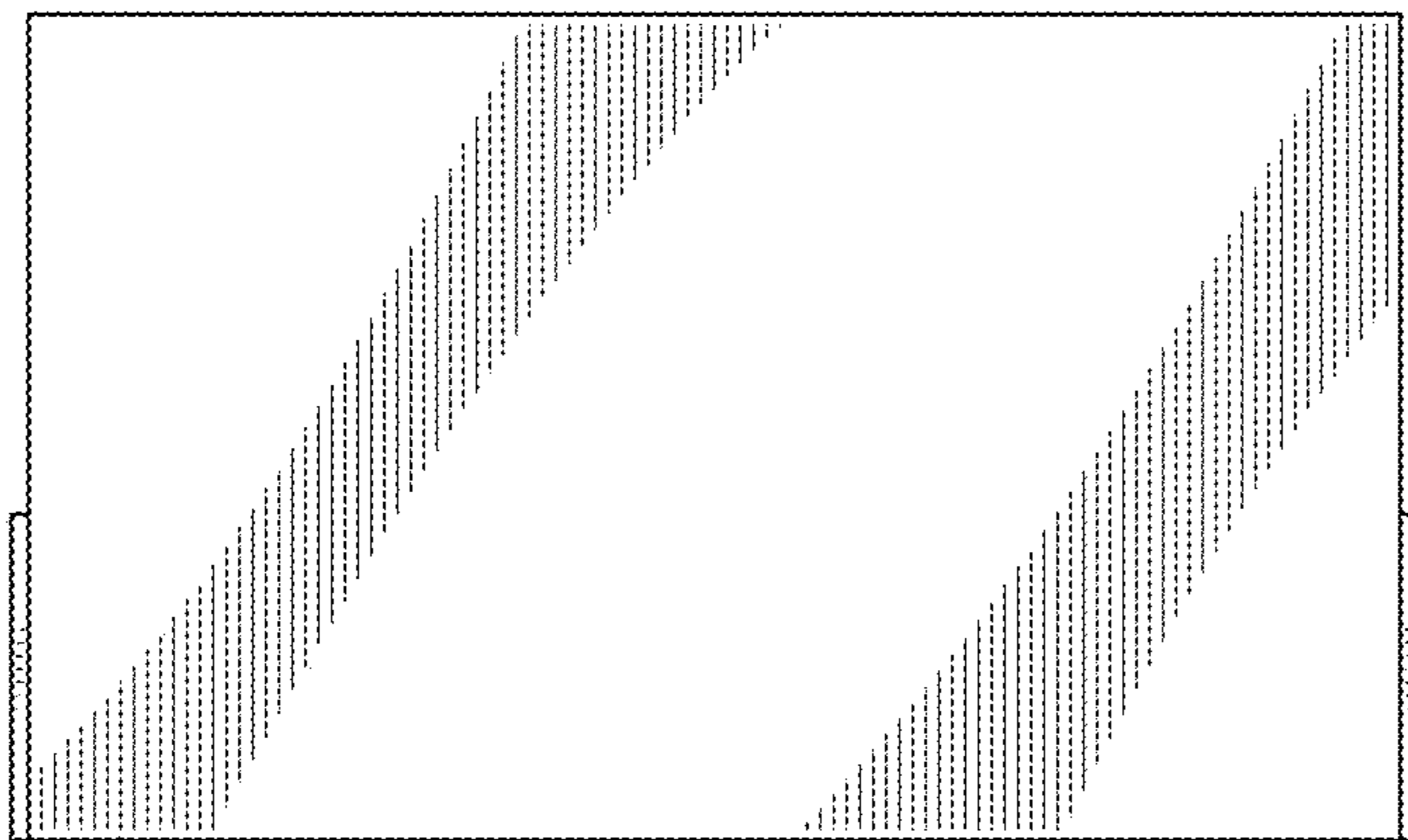


FIG. 6

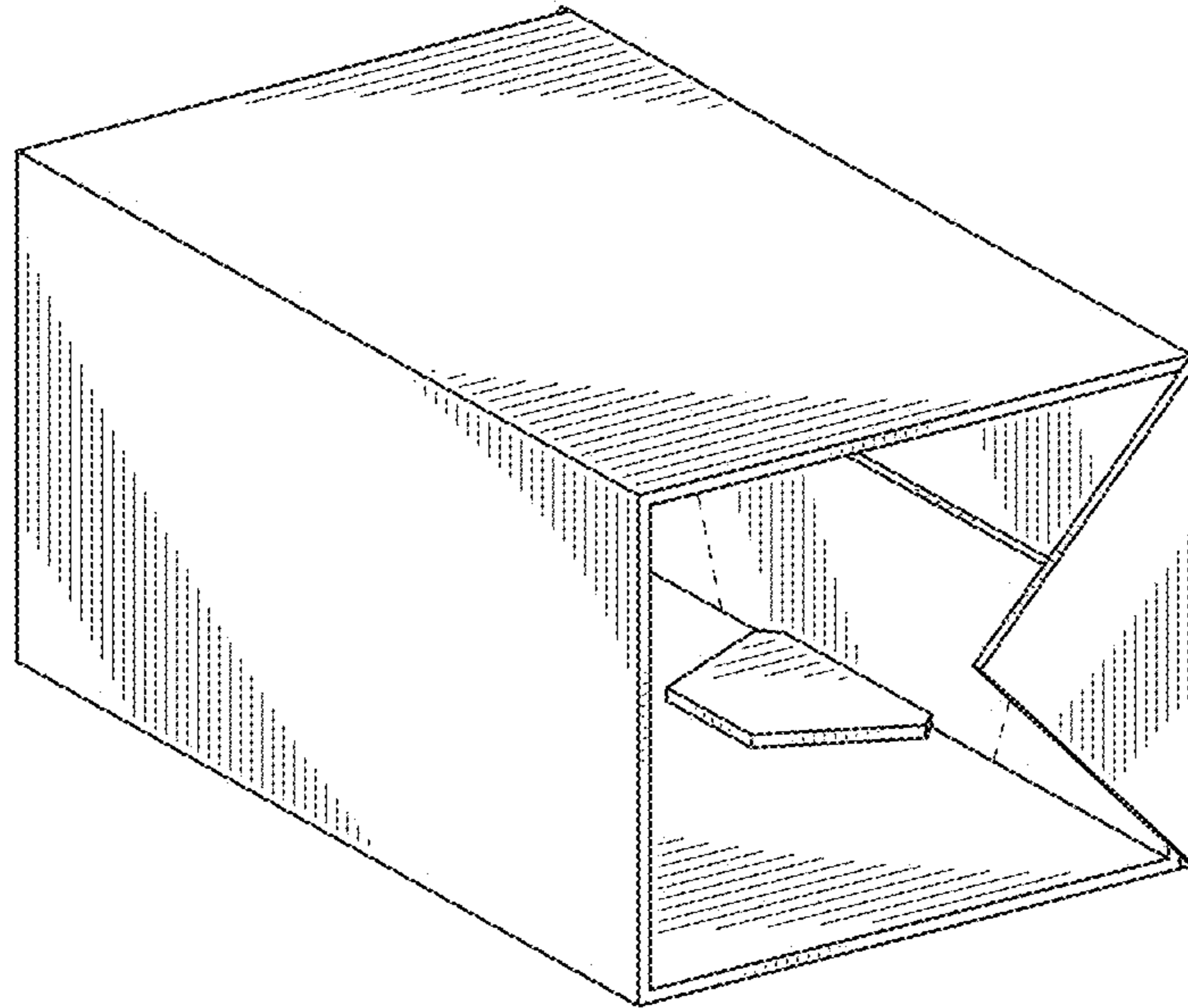


FIG. 7

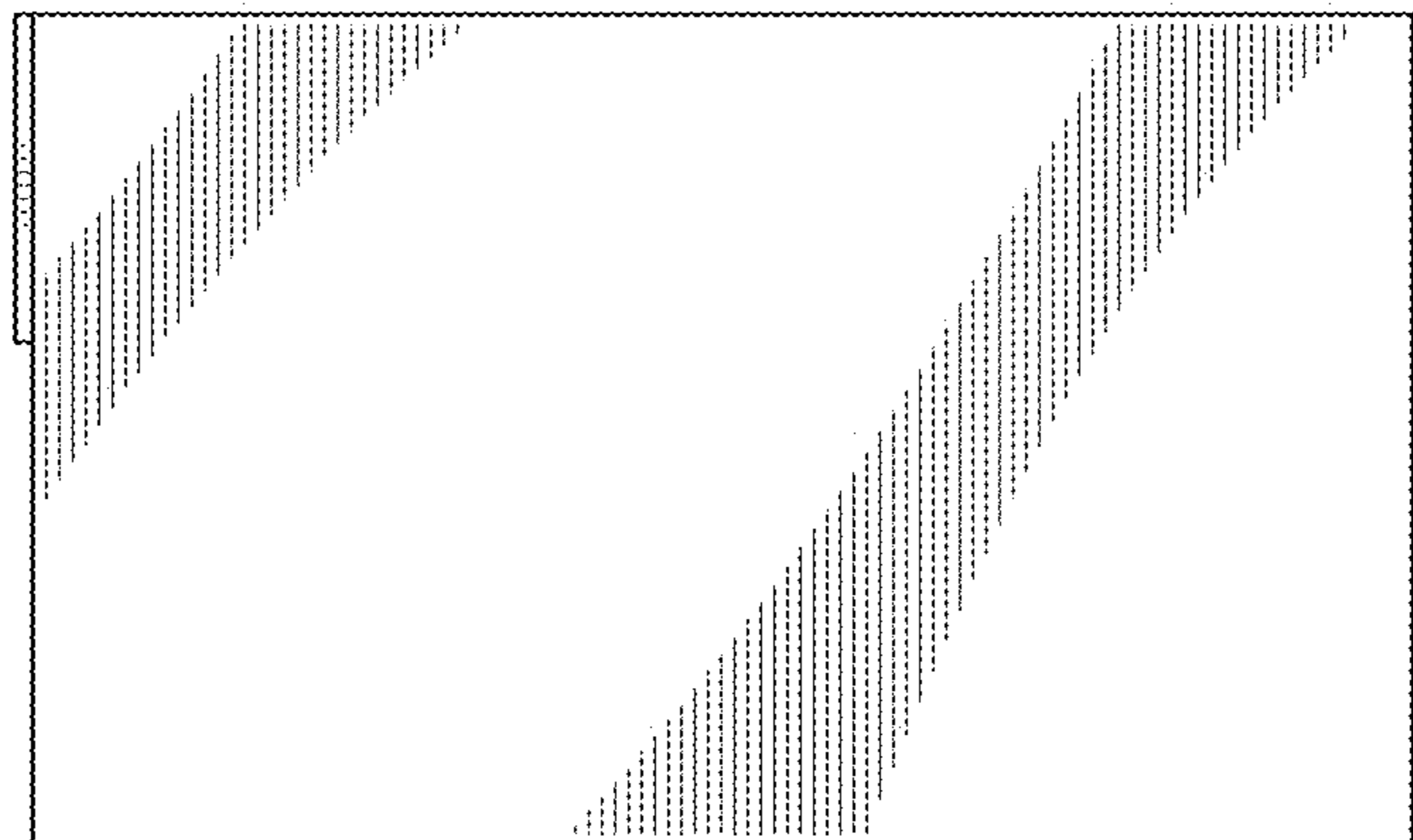
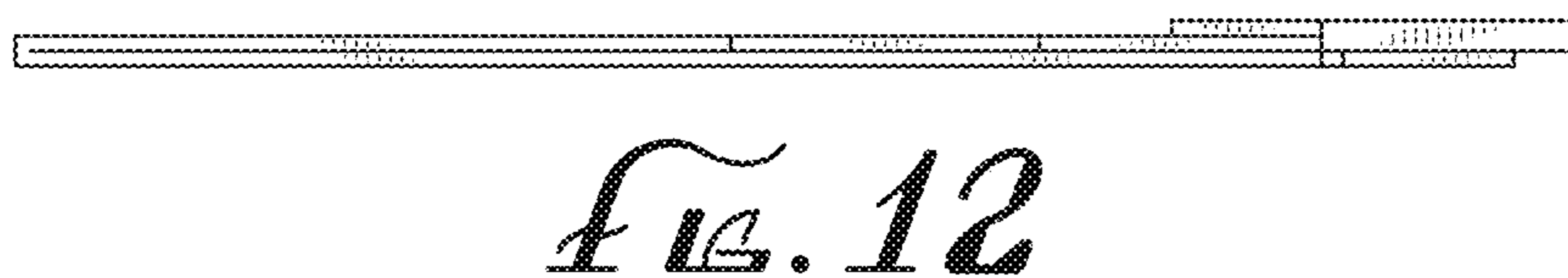
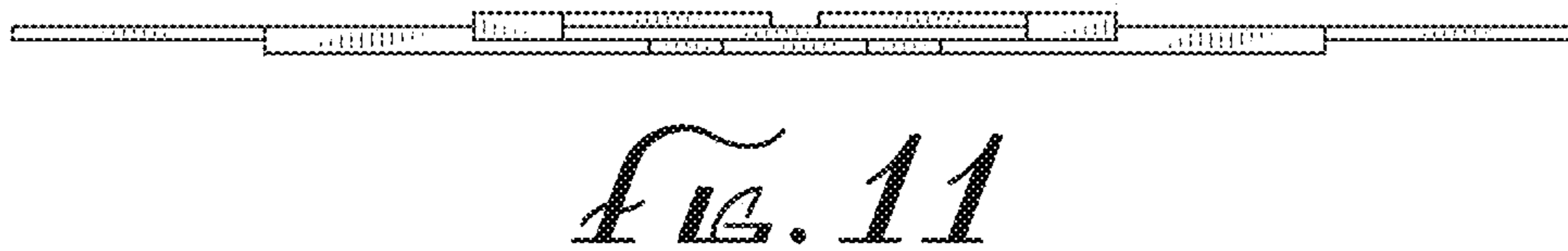
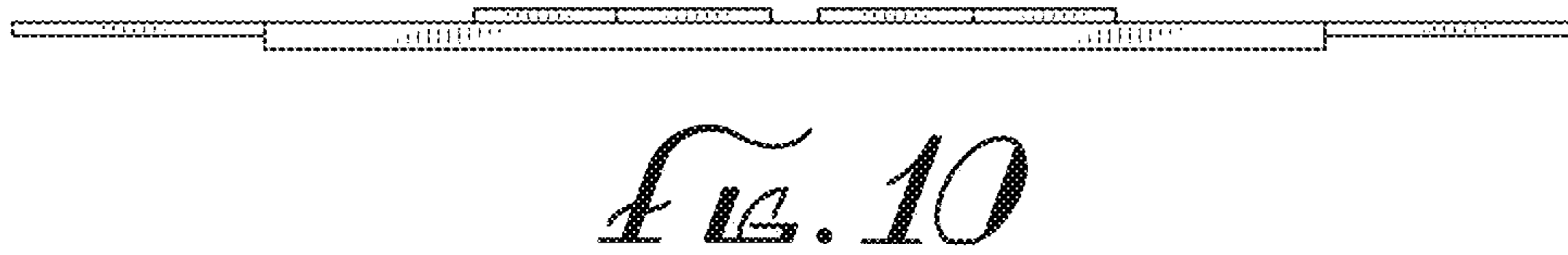
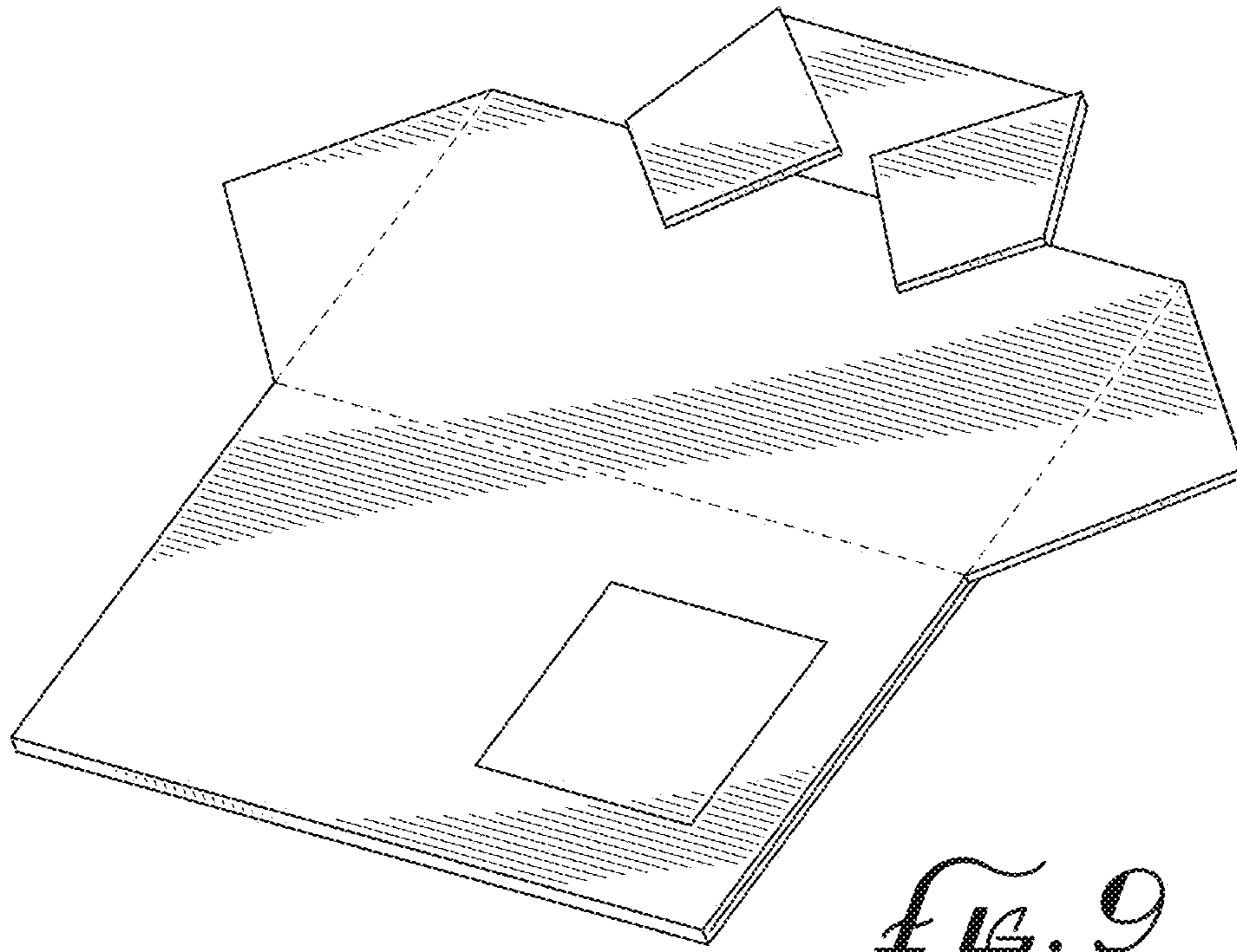


FIG. 8



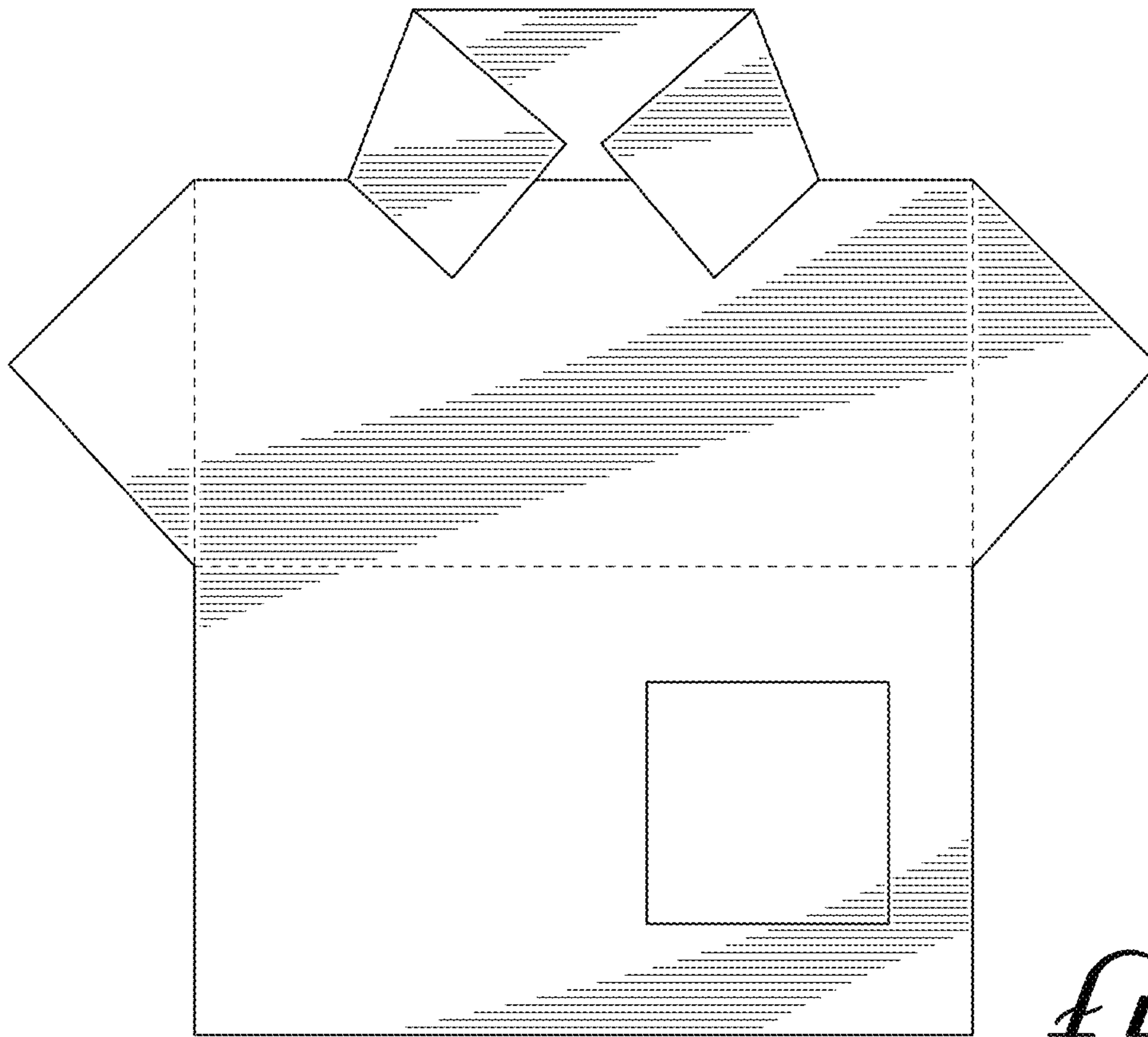


FIG. 13

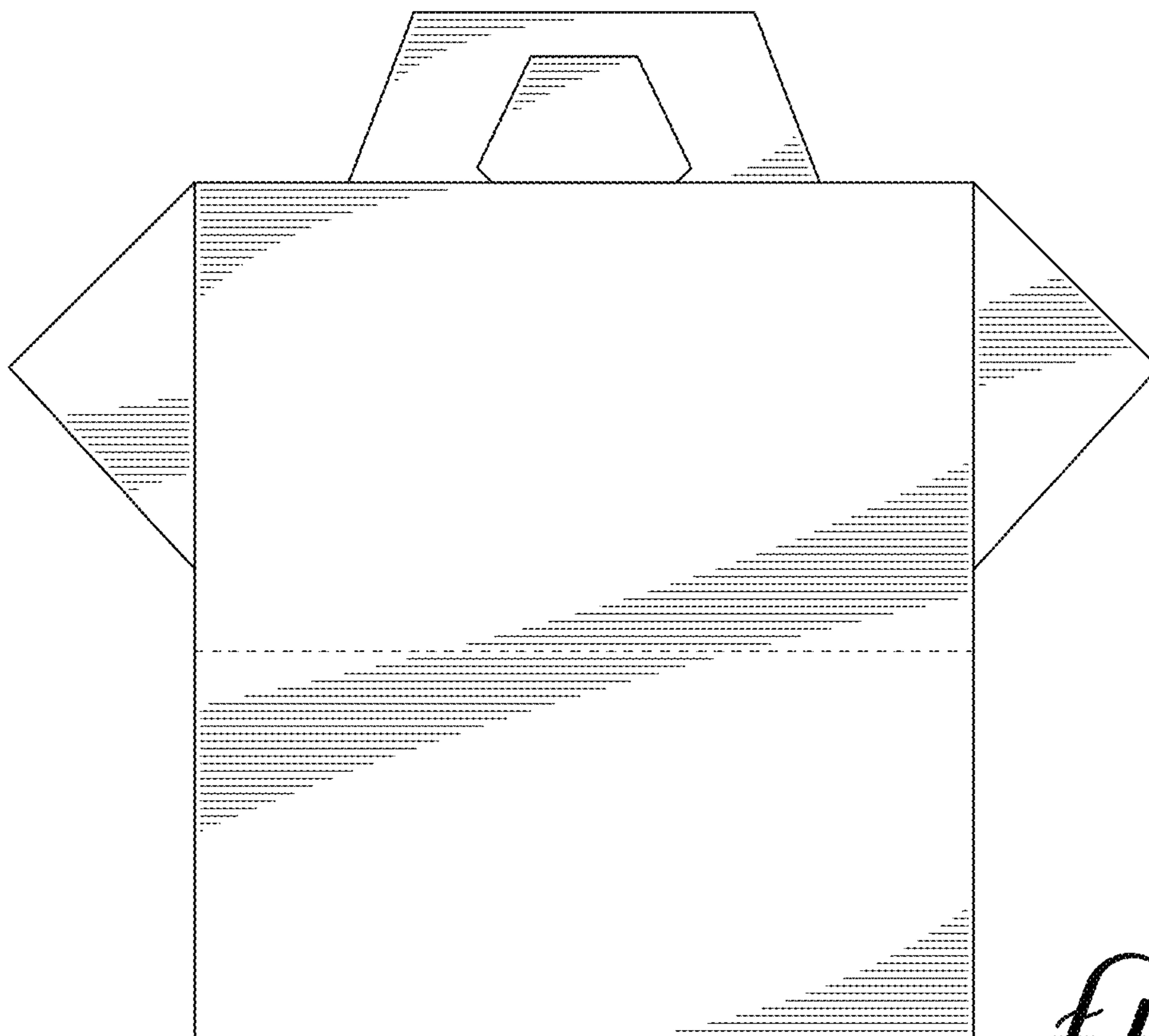


FIG. 14

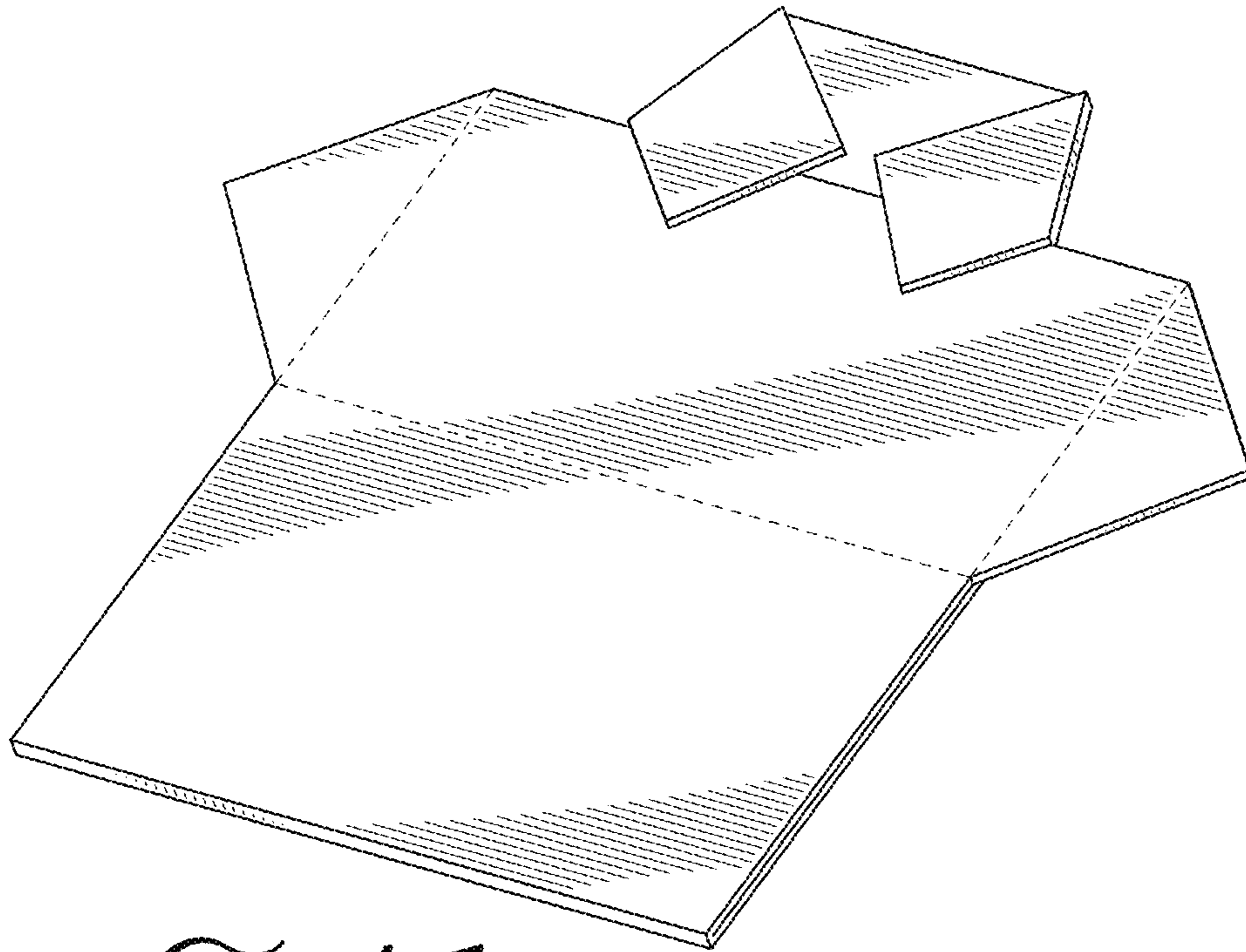


FIG. 15

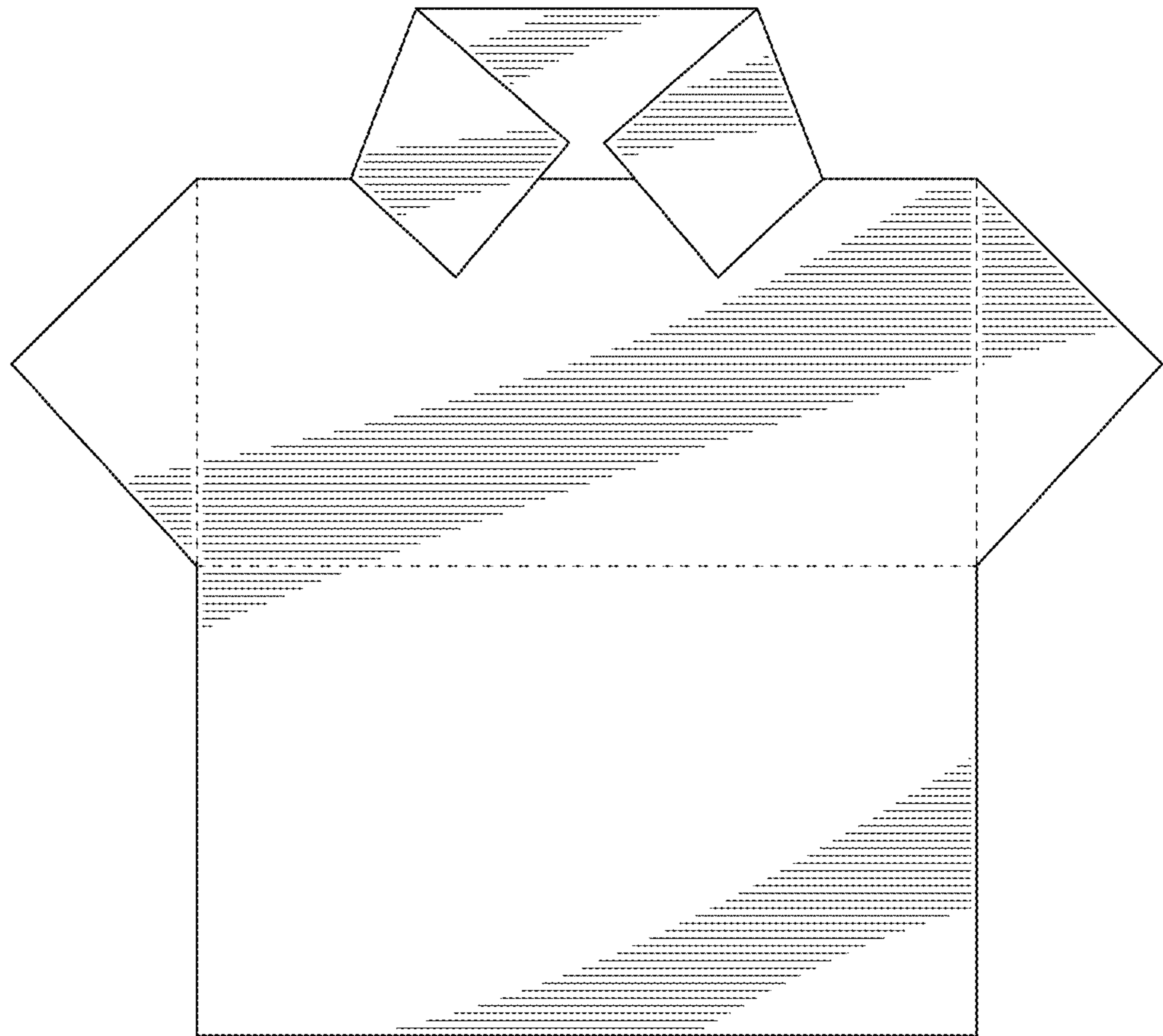


FIG. 16