



US00D879619S

(12) **United States Design Patent**  
**Bhat et al.**

(10) **Patent No.:** **US D879,619 S**

(45) **Date of Patent:** **\*\* \*Mar. 31, 2020**

(54) **BOTTLE**

(71) Applicant: **PepsiCo, Inc.**, Purchase, NY (US)

(72) Inventors: **Advait Bhat**, White Plains, NY (US);  
**Karen Elizabeth Kleiman**, Chicago, IL (US)

(73) Assignee: **PepsiCo, Inc.**, Purchase, NY (US)

(\*) Notice: This patent is subject to a terminal disclaimer.

(\*\*) Term: **15 Years**

(21) Appl. No.: **29/664,138**

(22) Filed: **Sep. 21, 2018**

(51) **LOC (12) Cl.** ..... **09-01**

(52) **U.S. Cl.**  
USPC ..... **D9/564**; D9/570; D9/574

(58) **Field of Classification Search**  
USPC ..... D9/516, 544, 545, 549, 559-570, 574,  
D9/652, 667, 715, 719; D7/300, 509,  
D7/523, 598, 619.1  
CPC ..... B65D 2501/0018; B65D 1/023  
See application file for complete search history.

(56) **References Cited**

**U.S. PATENT DOCUMENTS**

D316,968 S *	5/1991	York .....	D9/434
D379,592 S *	6/1997	Doskoczynski .....	D9/542
D456,272 S *	4/2002	Sadeghi .....	D9/560
D506,138 S	6/2005	Zboch et al.	
D526,905 S *	8/2006	Beard .....	D9/560
D531,042 S	10/2006	Venkataraman et al.	
D538,662 S *	3/2007	Goetz .....	D9/516
D555,497 S *	11/2007	Lavelli .....	D9/551
D559,695 S *	1/2008	Lesueur .....	D9/520
D561,040 S	2/2008	Sequeira	
D578,007 S *	10/2008	Hestehave .....	D9/453

D588,463 S *	3/2009	Forget .....	D9/542
D623,531 S *	9/2010	Ungrady .....	D9/538
D626,851 S	11/2010	El Aquah	
D635,458 S *	4/2011	Braun .....	D9/516
D655,182 S *	3/2012	Kraft .....	D9/560
D655,198 S	3/2012	Finlay et al.	
D659,006 S	5/2012	Wiescinski et al.	
D660,161 S *	5/2012	Braun .....	D9/516
D666,915 S	9/2012	Wiescinski et al.	
D666,916 S	9/2012	Enciso et al.	
D668,959 S	10/2012	Brown et al.	
D669,787 S *	10/2012	Braun .....	D9/538
D674,284 S *	1/2013	Harris .....	D9/520

(Continued)

**FOREIGN PATENT DOCUMENTS**

BR	30 2012 000578-7	3/2013
BR	30 2012 000565-5	6/2013

(Continued)

*Primary Examiner* — Shannon W Morgan

*Assistant Examiner* — Keith Frank

(74) *Attorney, Agent, or Firm* — Sterne, Kessler,  
Goldstein & Fox P.L.L.C.

(57) **CLAIM**

The ornamental design for a bottle, as shown and described.

**DESCRIPTION**

FIG. 1 is a top front perspective view of a bottle showing the claimed design;

FIG. 2 is a front view thereof;

FIG. 3 is a rear view thereof;

FIG. 4 is a left side view thereof;

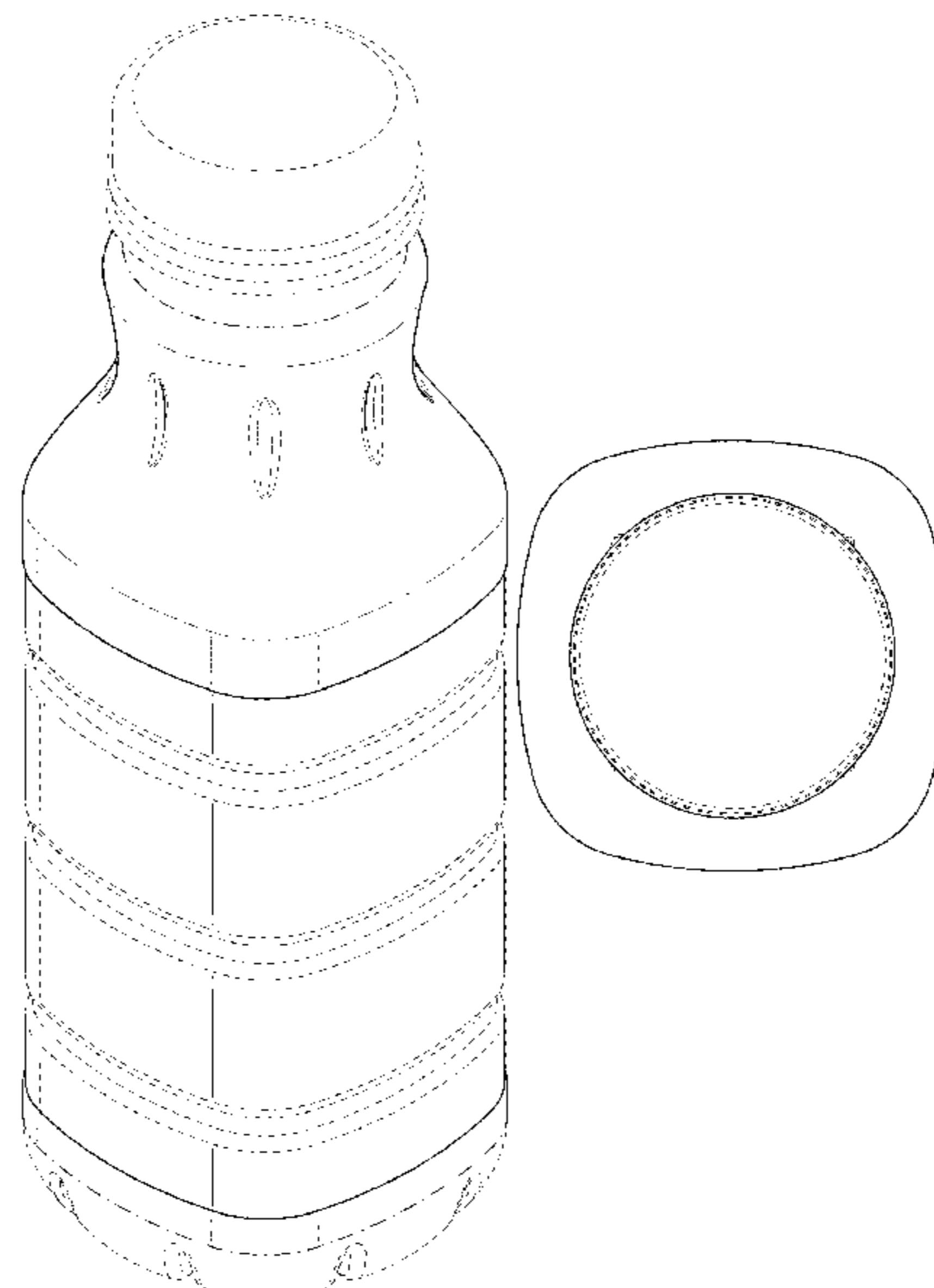
FIG. 5 is a right side view thereof; and,

FIG. 6 is a top view thereof.

The dashed broken lines in the figures show portions of the bottle that form no part of the claimed design.

The dot-dash broken lines in the figures show boundaries that form no part of the claimed design.

**1 Claim, 6 Drawing Sheets**



(56)

**References Cited**

U.S. PATENT DOCUMENTS

D674,702 S \* 1/2013 Harris ..... D9/520  
D680,003 S \* 4/2013 Desjardins ..... D9/560  
D721,973 S 2/2015 Das et al.  
D759,492 S 6/2016 Dominick et al.  
D776,542 S 1/2017 Dominick et al.  
D789,792 S \* 6/2017 Herbst ..... D9/542  
D799,329 S \* 10/2017 Peacock ..... D9/538  
D804,315 S 12/2017 Galvin et al.  
D847,639 S \* 5/2019 Pritchett, Jr. .... D9/502  
2011/0000869 A1\* 1/2011 Braun ..... B65D 1/023  
215/40

FOREIGN PATENT DOCUMENTS

BR 30 2012 000567-1 5/2014  
EM 001002364-0003 9/2008

\* cited by examiner

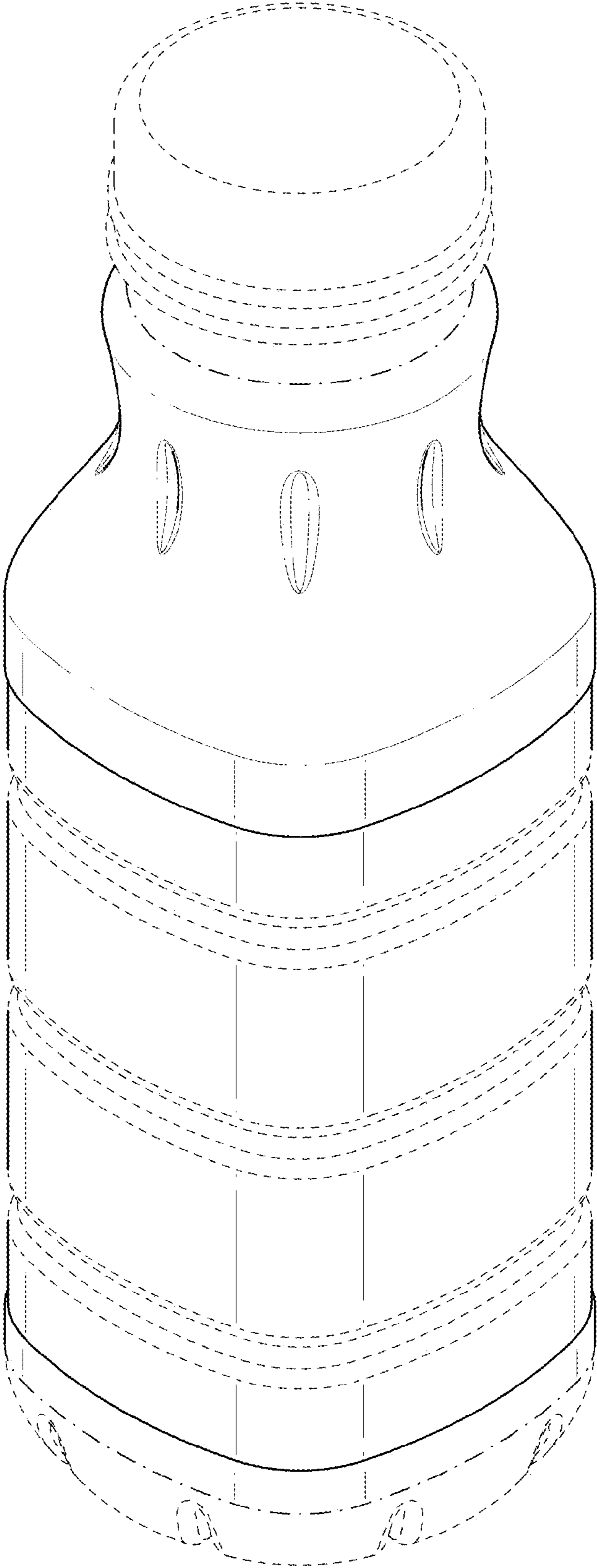
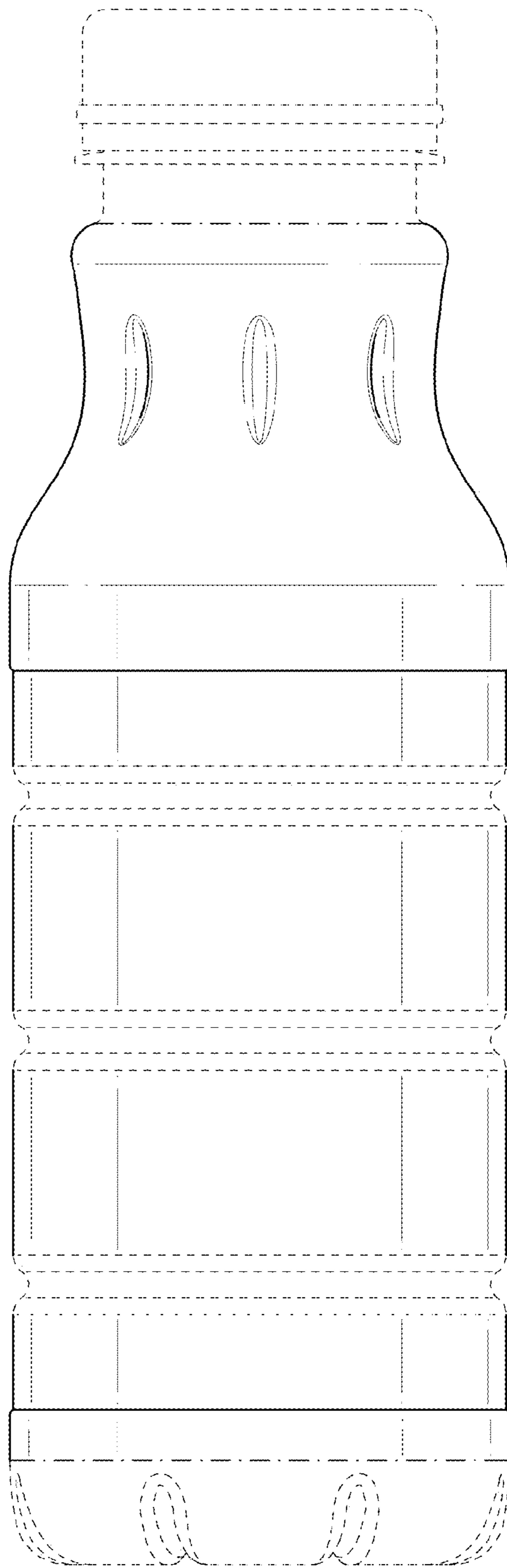


FIG. 1



**FIG. 2**

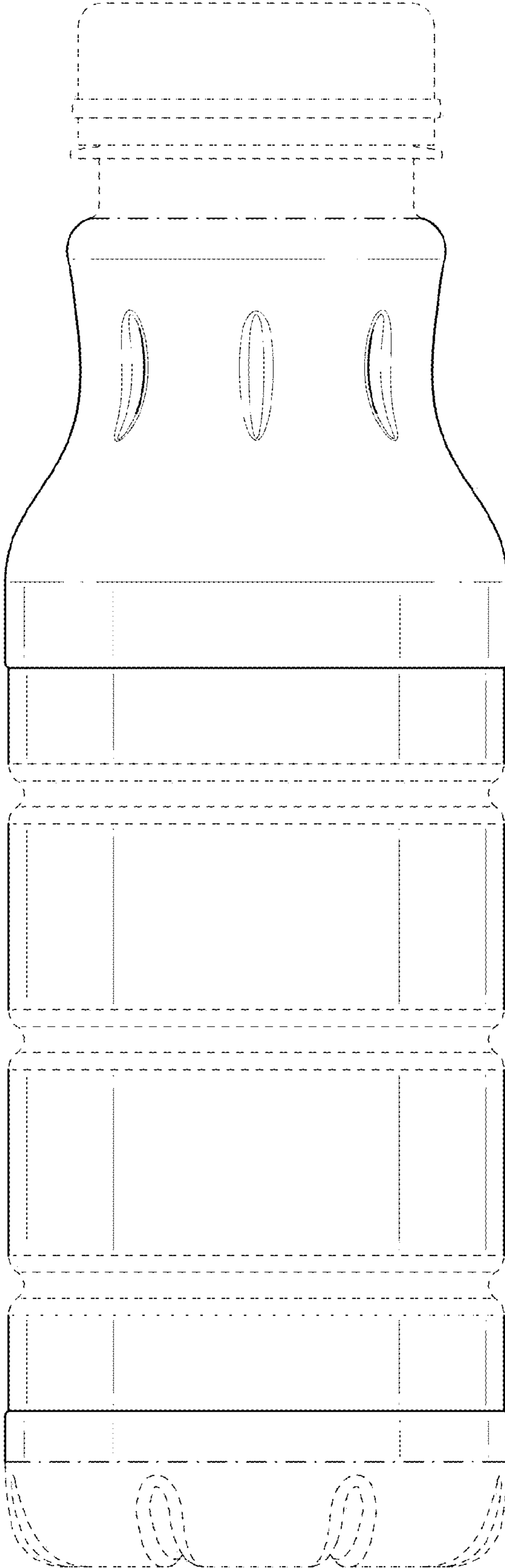


FIG. 3

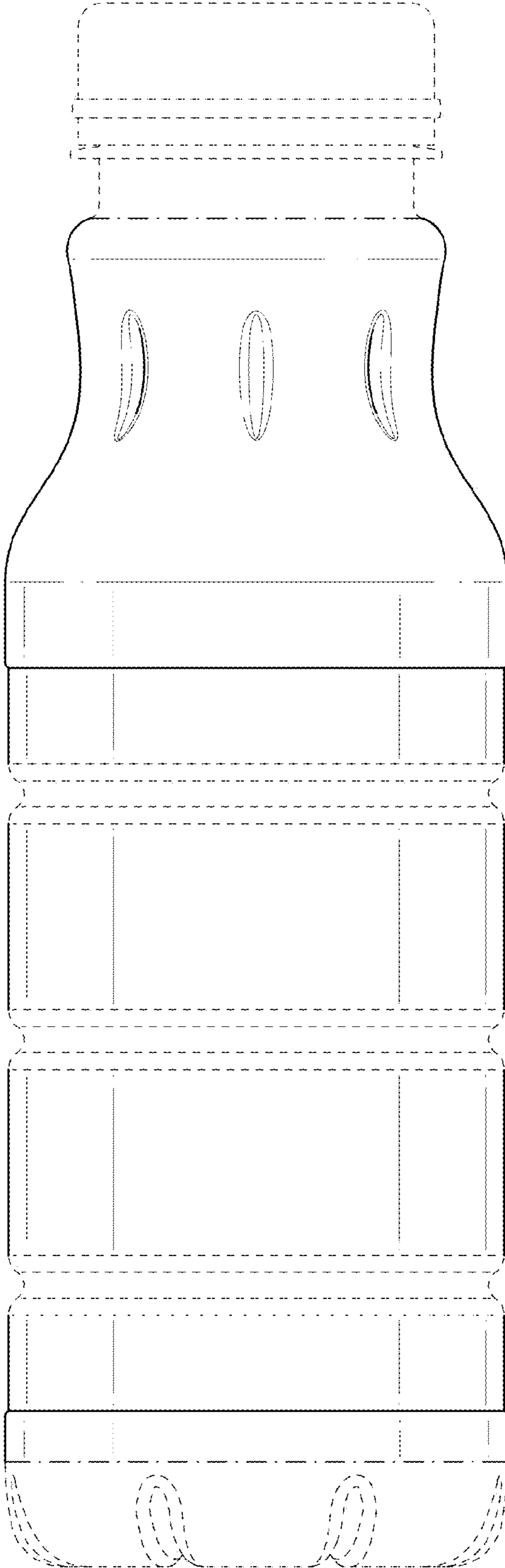


FIG. 4

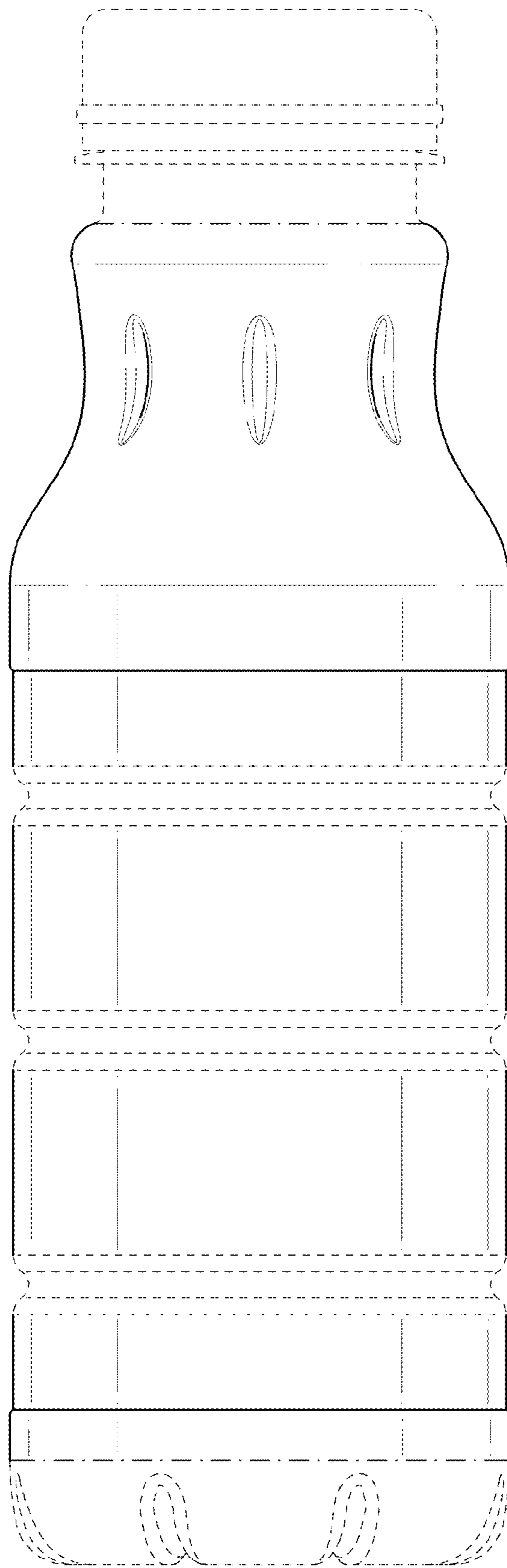
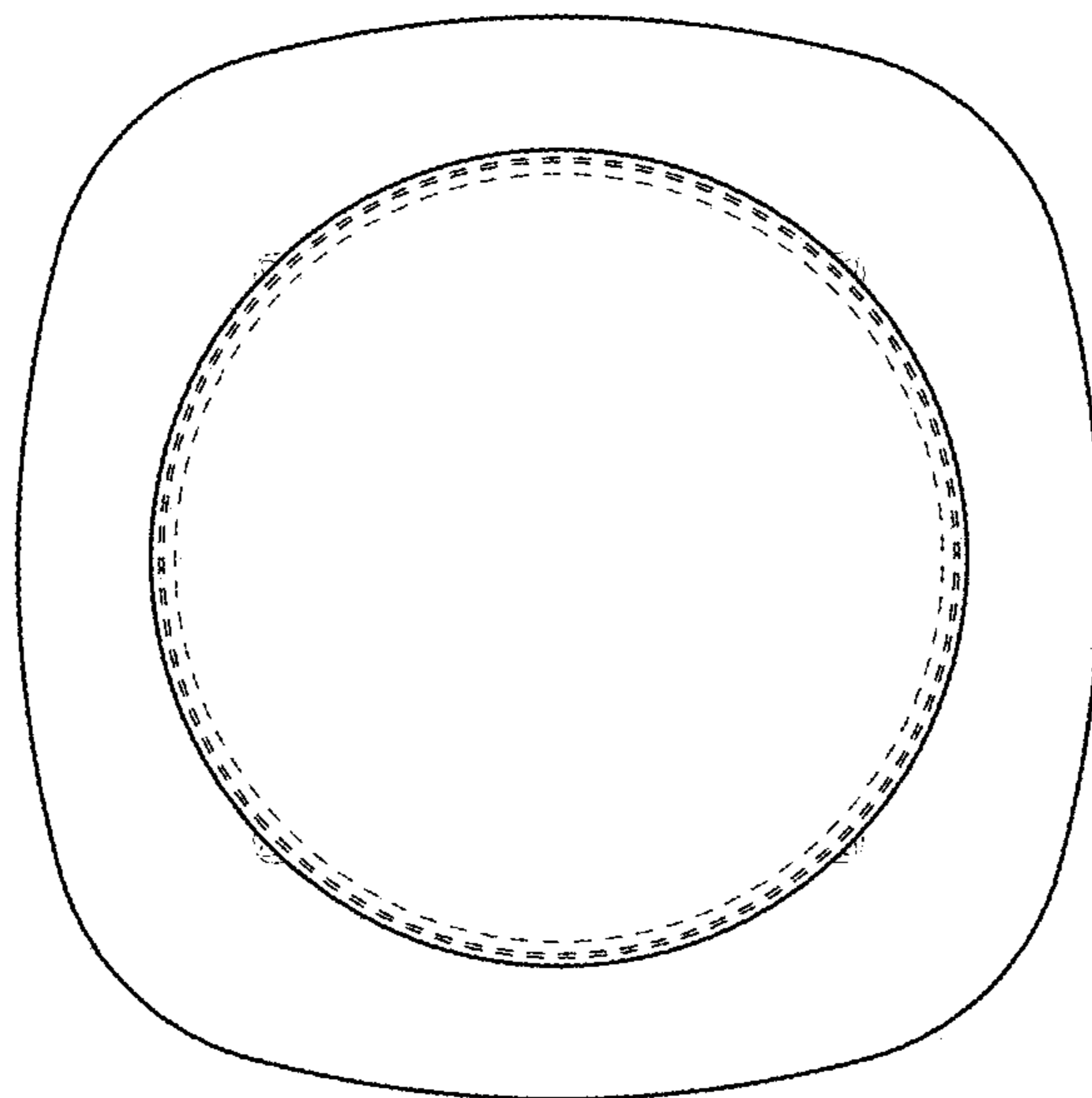


FIG. 5



**FIG. 6**