



US00D879613S

(12) **United States Design Patent**
Lehaneur

(10) **Patent No.:** **US D879,613 S**
(45) **Date of Patent:** **** *Mar. 31, 2020**

(54) **BOTTLE**

(71) Applicant: **Noustique Perfumes, S.L.**, Barcelona (ES)

(72) Inventor: **Mathieu Lehaneur**, Paris (FR)

(73) Assignee: **Noustique Perfumes, S.L.**, Barcelona (ES)

(*) Notice: This patent is subject to a terminal disclaimer.

(**) Term: **15 Years**

(21) Appl. No.: **29/681,594**

(22) Filed: **Feb. 27, 2019**

(51) **LOC (12) Cl.** **09-01**

(52) **U.S. Cl.**
USPC **D9/500; D9/520**

(58) **Field of Classification Search**
USPC D9/434, 500, 503, 516, 520, 530, 537,
D9/539, 549, 558, 715, 719

CPC B65D 1/00; B65D 1/02; B65D 1/0223;
B65D 23/00; B65D 81/00; B65D
2501/00; B65D 2501/0009

See application file for complete search history.

(56) **References Cited**

U.S. PATENT DOCUMENTS

D232,520 S * 8/1974 Canfield D9/500
D239,922 S * 5/1976 Utley D9/500

D243,229 S * 2/1977 McDonald D9/500
D243,316 S * 2/1977 Reynolds D9/500
D246,028 S * 10/1977 McNab D9/500
D253,453 S * 11/1979 Kretz D9/500
D265,058 S * 6/1982 Ewry D9/500
D279,452 S * 7/1985 Beechuk D9/500
D284,362 S * 6/1986 Biesecker D9/500
D401,858 S * 12/1998 Zebrowski D9/531
D433,336 S * 11/2000 Weber D9/538
D472,471 S * 4/2003 McClure D9/537
D473,143 S * 4/2003 McClure D9/537
D489,992 S * 5/2004 Brauner D9/500
D796,956 S * 9/2017 Clark D9/500
D850,274 S * 6/2019 Li D9/546

* cited by examiner

Primary Examiner — Dana Meyrow

(57) **CLAIM**

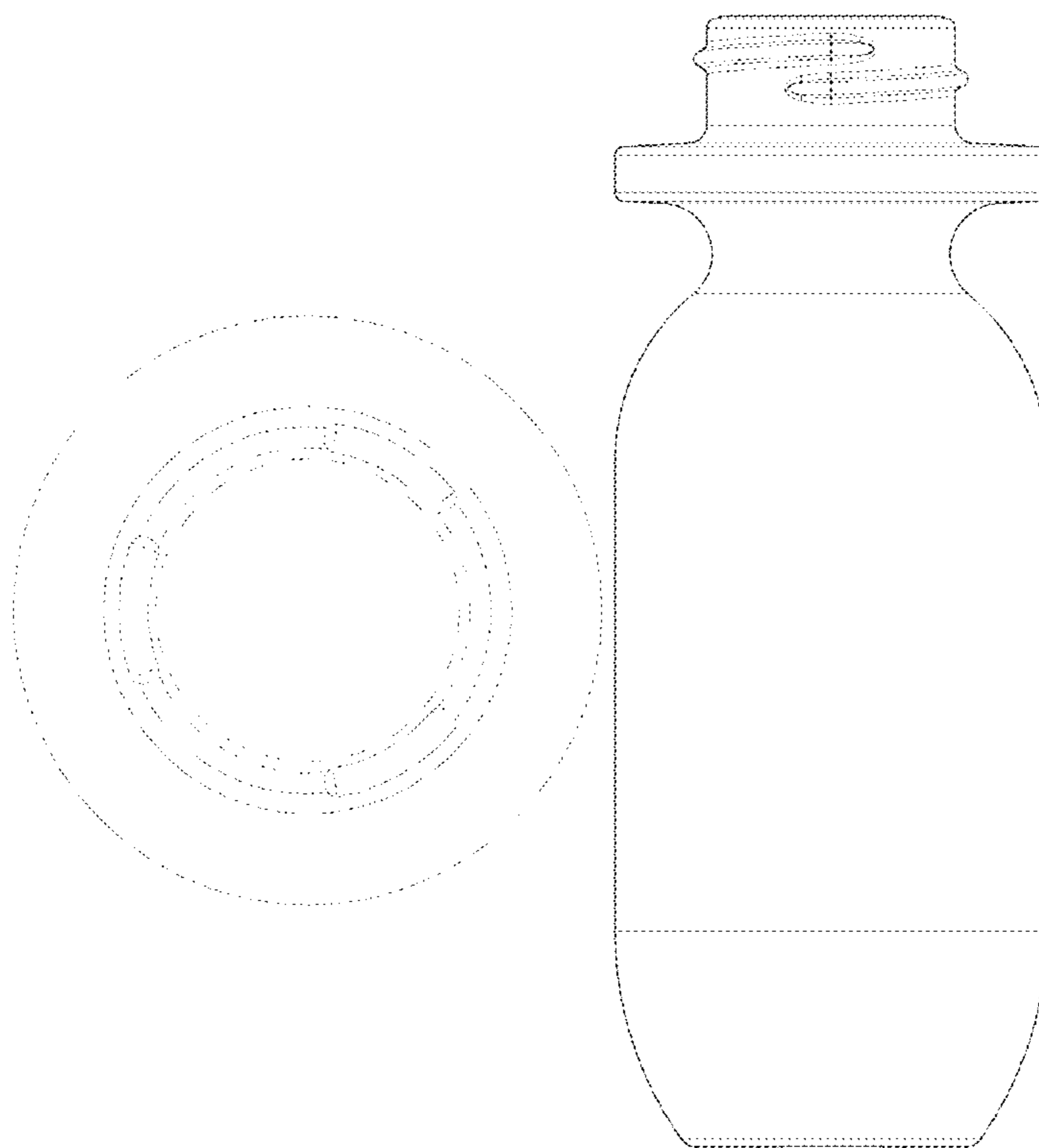
The ornamental design for a bottle, as shown and described.

DESCRIPTION

FIG. 1 is a bottom view, showing my new design;
FIG. 2 is a side view thereof;
FIG. 3 is a top view thereof; and,
FIG. 4 is a perspective view.

The broken lines in the drawings illustrate the portions of the bottle that form no part of the claimed design.

1 Claim, 4 Drawing Sheets



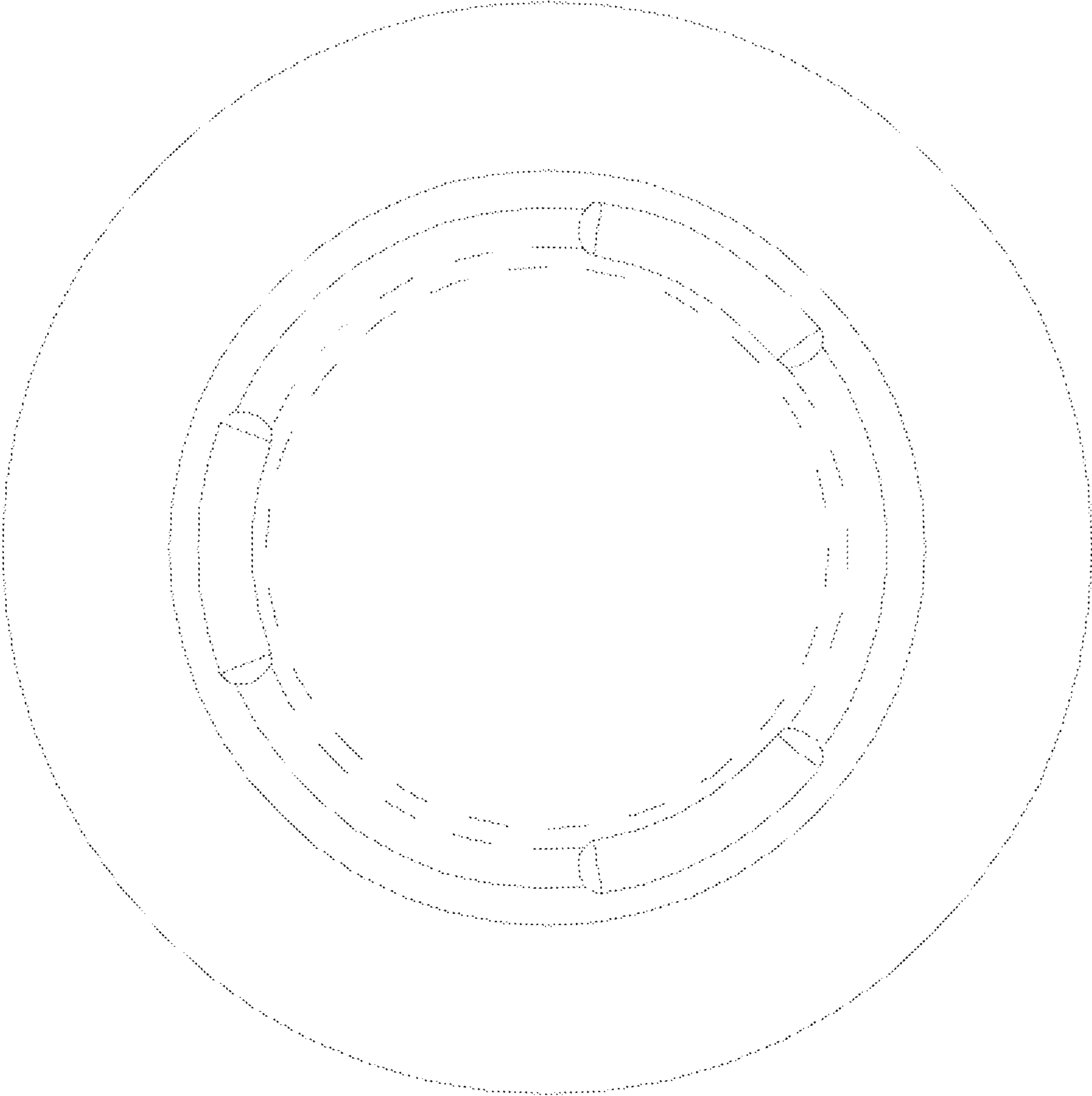


FIG. 1

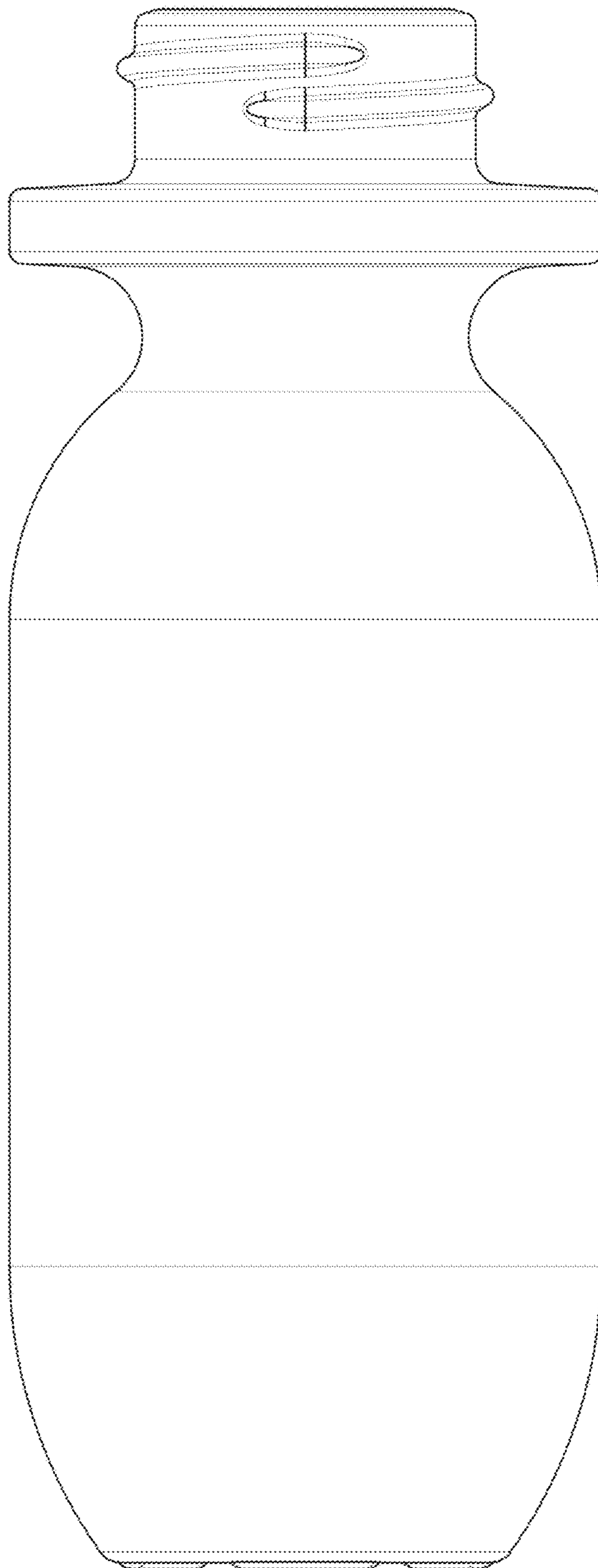


FIG. 2

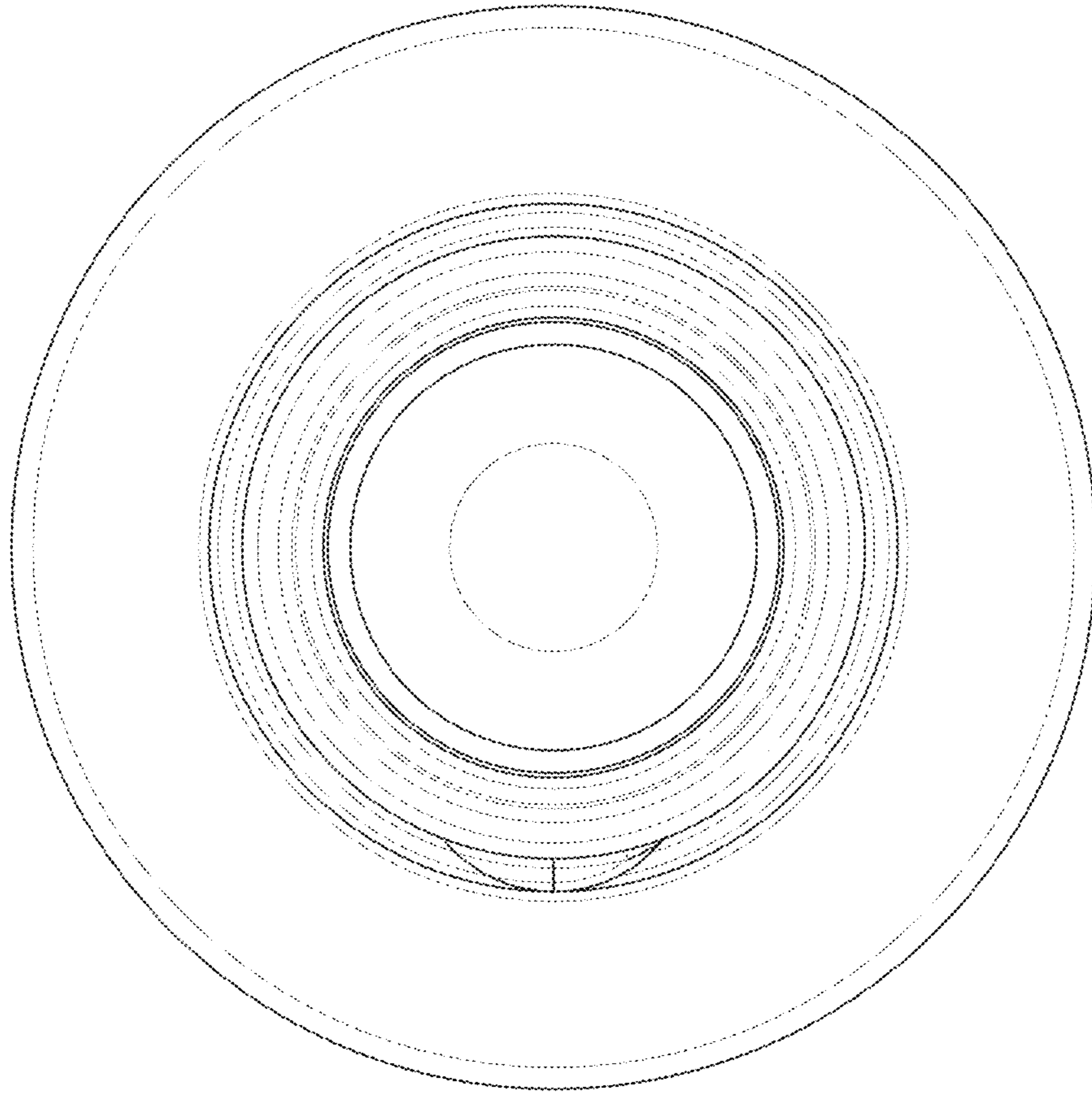


FIG. 3

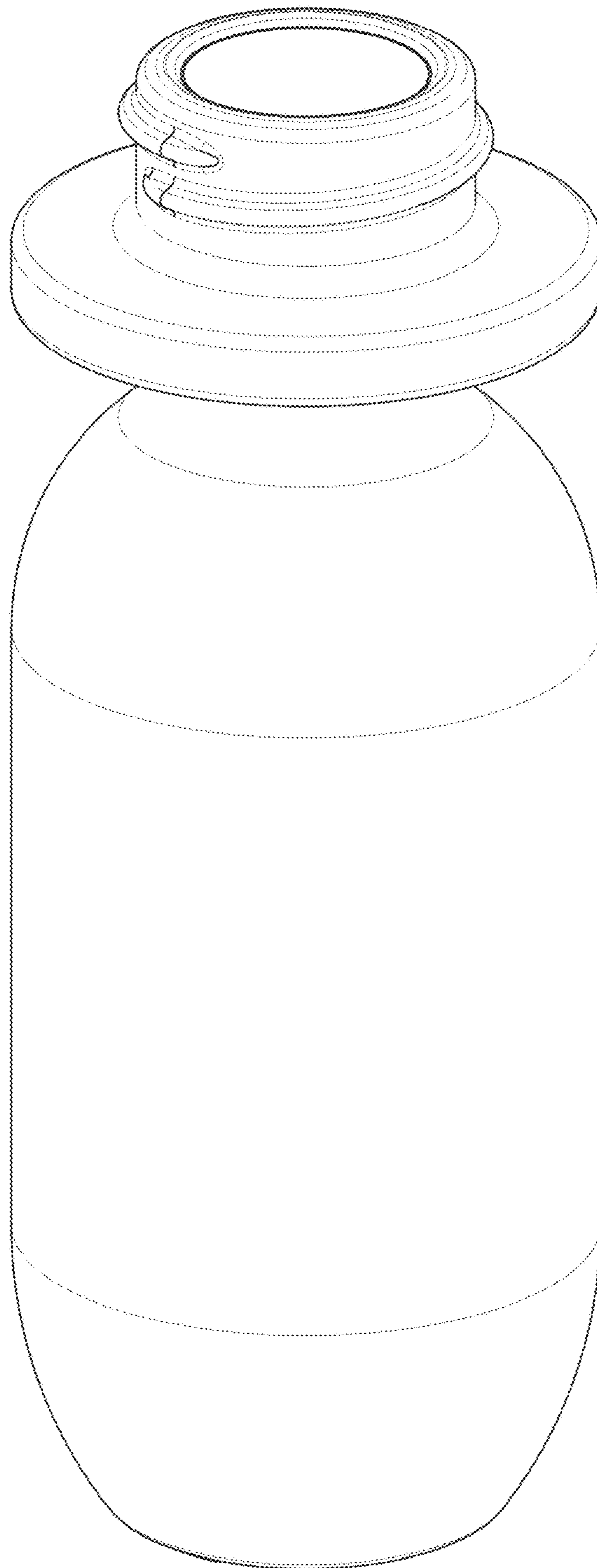


FIG. 4