



US00D879612S

(12) **United States Design Patent**
Sarhan

(10) **Patent No.:** **US D879,612 S**

(45) **Date of Patent:** **** Mar. 31, 2020**

- (54) **SANITARY GUARD**
- (71) Applicant: **Thomas Sarhan**, Mobile, AL (US)
- (72) Inventor: **Thomas Sarhan**, Mobile, AL (US)
- (**) Term: **15 Years**
- (21) Appl. No.: **29/657,037**
- (22) Filed: **Jul. 18, 2018**
- (51) **LOC (12) Cl.** **09-99**
- (52) **U.S. Cl.**
USPC **D9/499**; D6/699.5
- (58) **Field of Classification Search**
USPC D9/414-434; D2/860, 864; D6/699.5;
D7/550.1, 587; D24/121, 123, 227;
D28/61, 73; 2/49.2
See application file for complete search history.

- D394,339 S * 5/1998 Hill D2/860
- D402,509 S * 12/1998 Indekeu D7/550.1
- D459,144 S * 6/2002 Brady D7/354
- D546,596 S * 7/2007 McDermott D6/699.5
- D573,842 S * 7/2008 Friedland D7/566
- D574,580 S * 8/2008 Bland D2/864
- D660,444 S * 5/2012 Tran A47G 19/26
D24/204
- D662,417 S * 6/2012 Reinhold D9/434
- D710,701 S * 8/2014 Lai D24/123
- D752,908 S * 4/2016 McGrath D6/699.5
- D754,949 S * 5/2016 Lu D2/864

* cited by examiner

Primary Examiner — Sandra L Morris
(74) *Attorney, Agent, or Firm* — AdamsIP, LLC; J. Hunter Adams

(57) **CLAIM**

The ornamental design for a sanitary guard, as shown and described.

(56) **References Cited**

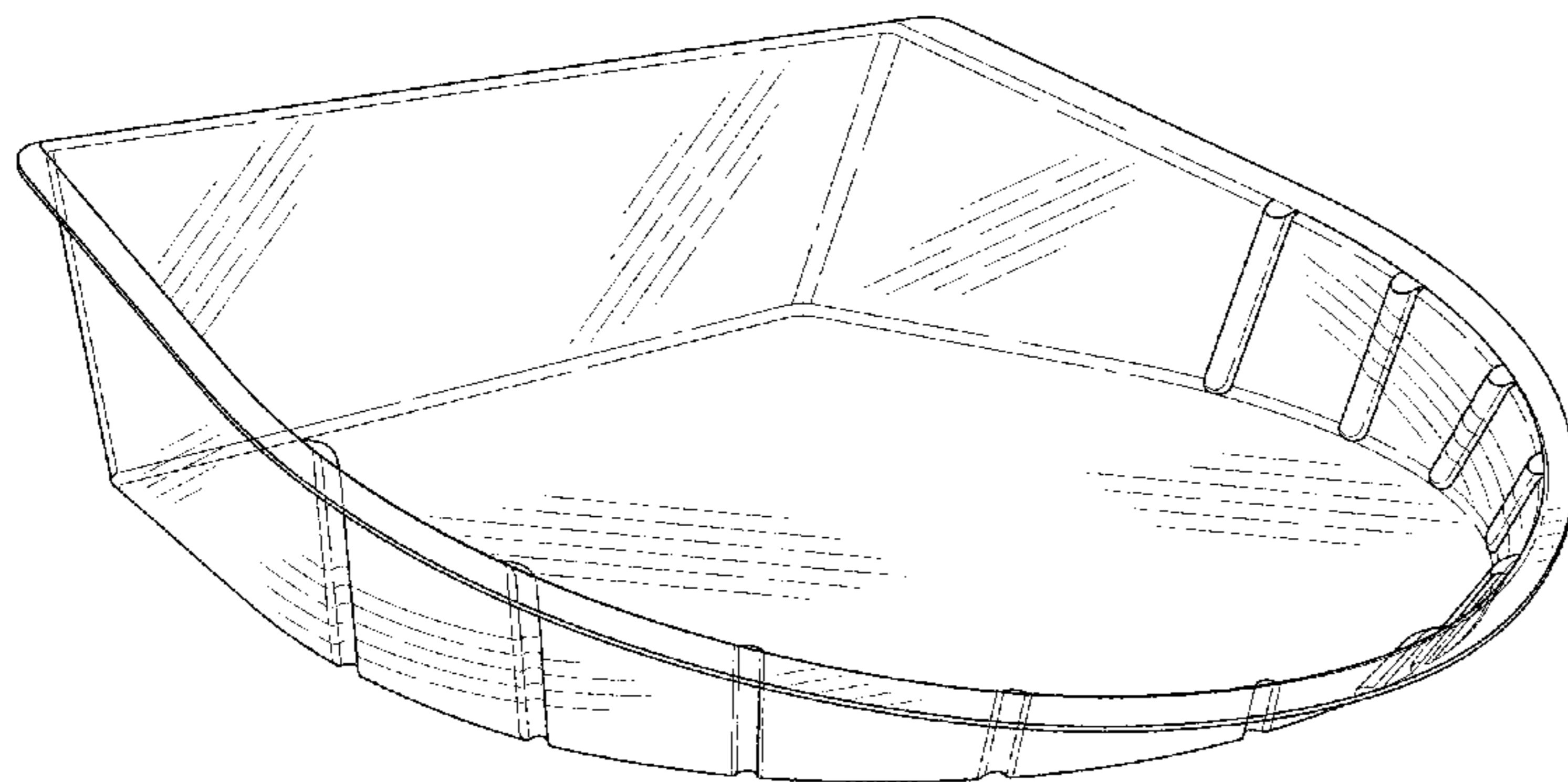
U.S. PATENT DOCUMENTS

- D162,228 S * 2/1951 Russell D7/550.1
- 3,014,616 A * 12/1961 Kavanaugh A47G 19/26
D7/587
- D215,566 S * 10/1969 Gilson D24/123
- D216,058 S * 11/1969 Painter et al. D24/123
- D220,928 S * 6/1971 Bost D24/123
- D228,156 S * 8/1973 Antaya D24/227
- D249,218 S * 9/1978 Mathison D7/550.1
- D257,108 S * 9/1980 Daenen D7/587
- D262,065 S * 11/1981 Holman D28/61
- D284,058 S * 6/1986 Kahn D7/587
- D307,070 S * 4/1990 Wymer D2/864
- D309,540 S * 7/1990 Suttles D6/699.5
- D309,846 S * 8/1990 Pozzi D7/587
- D342,806 S * 12/1993 Jones D24/227
- 5,285,940 A * 2/1994 Goulter A47G 23/06
2/49.2

DESCRIPTION

FIG. 1 is a front perspective view of a sanitary guard showing the claimed design;
FIG. 2 is a top view thereof;
FIG. 3 is a bottom view thereof;
FIG. 4 is a front view thereof;
FIG. 5 is a back view thereof;
FIG. 6 is a left side view thereof;
FIG. 7 is a right side view thereof; and,
FIG. 8 is a front perspective view thereof secured to an individual.
The dashed broken lines in the figures show environmental subject matter that forms no part of the claimed design. The shade lines in the figures show contour and not surface ornamentation.

1 Claim, 6 Drawing Sheets



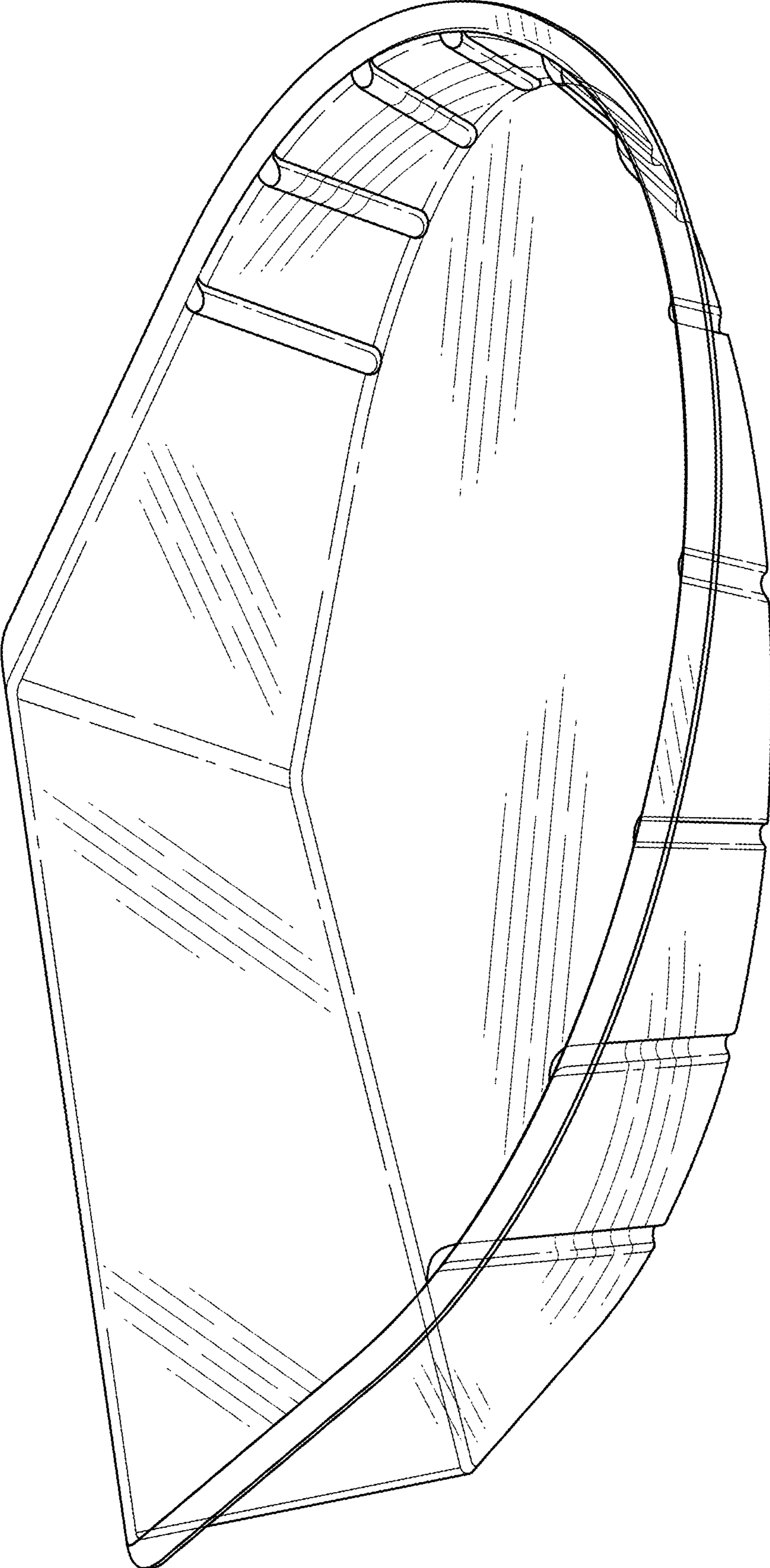


FIG. 1

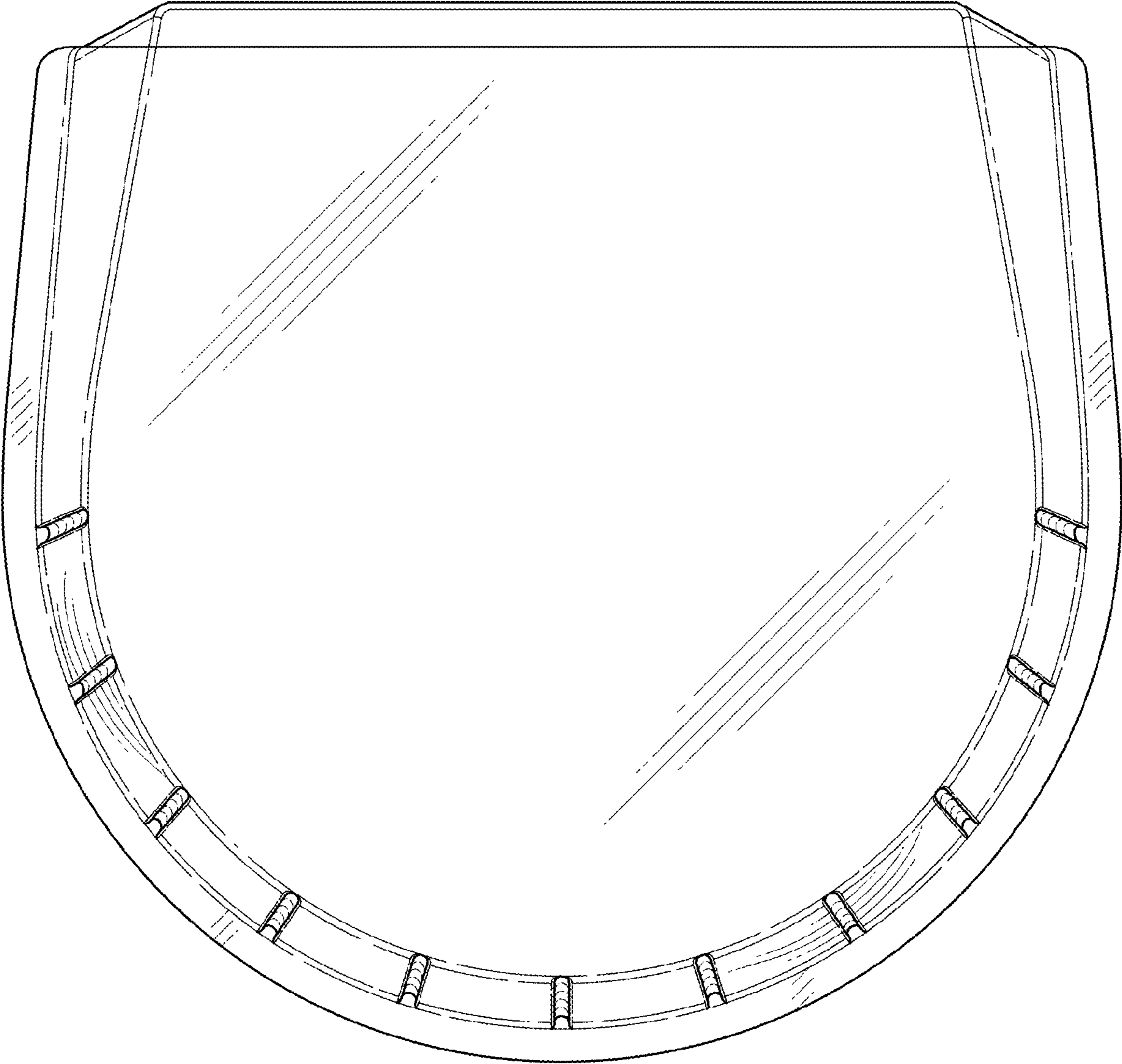


FIG. 2

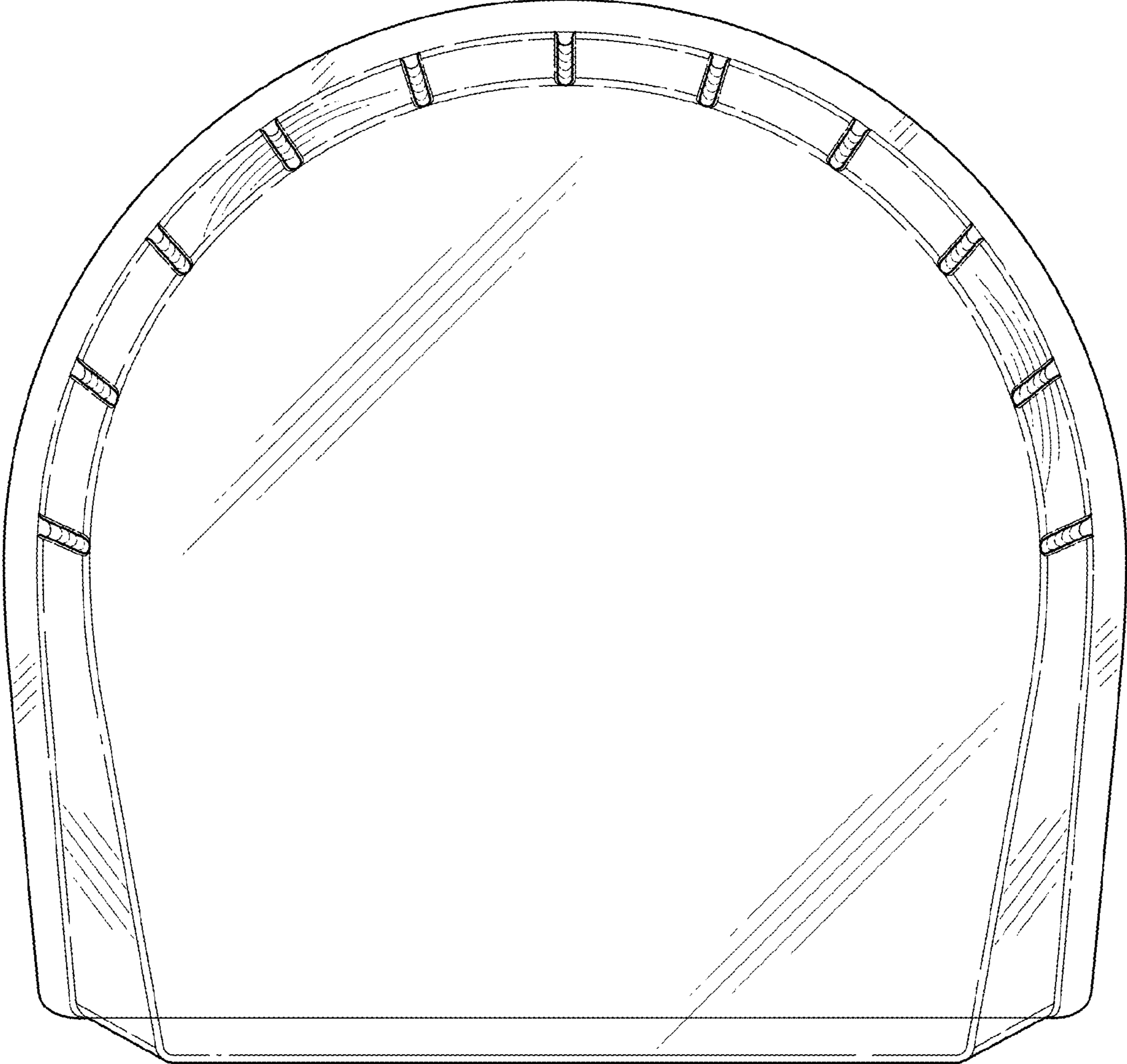


FIG. 3

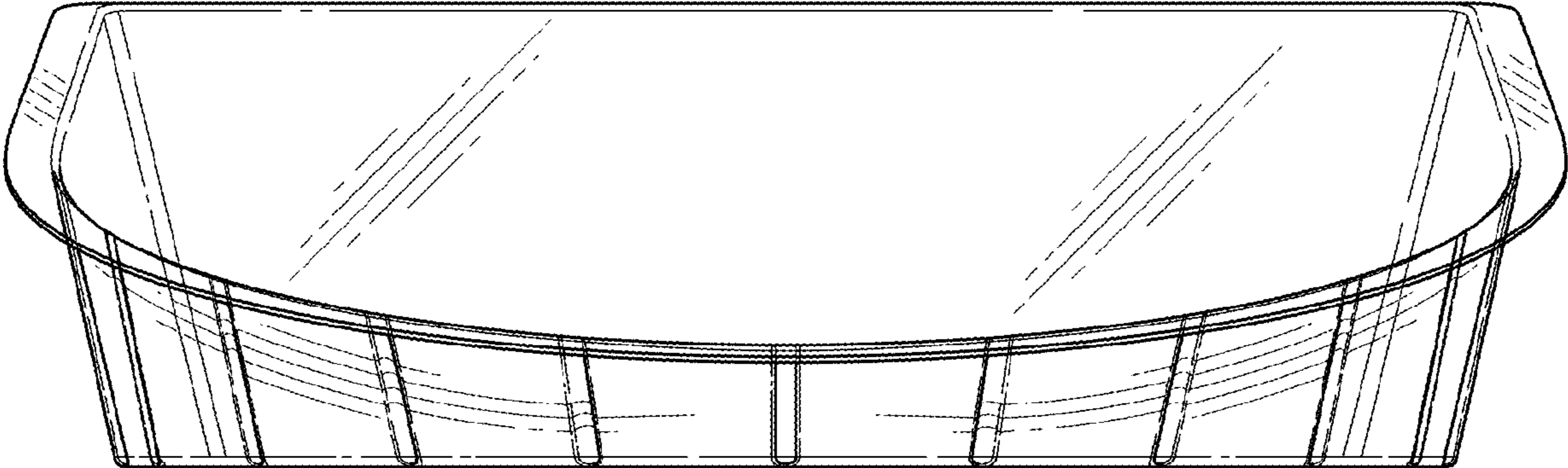


FIG. 4

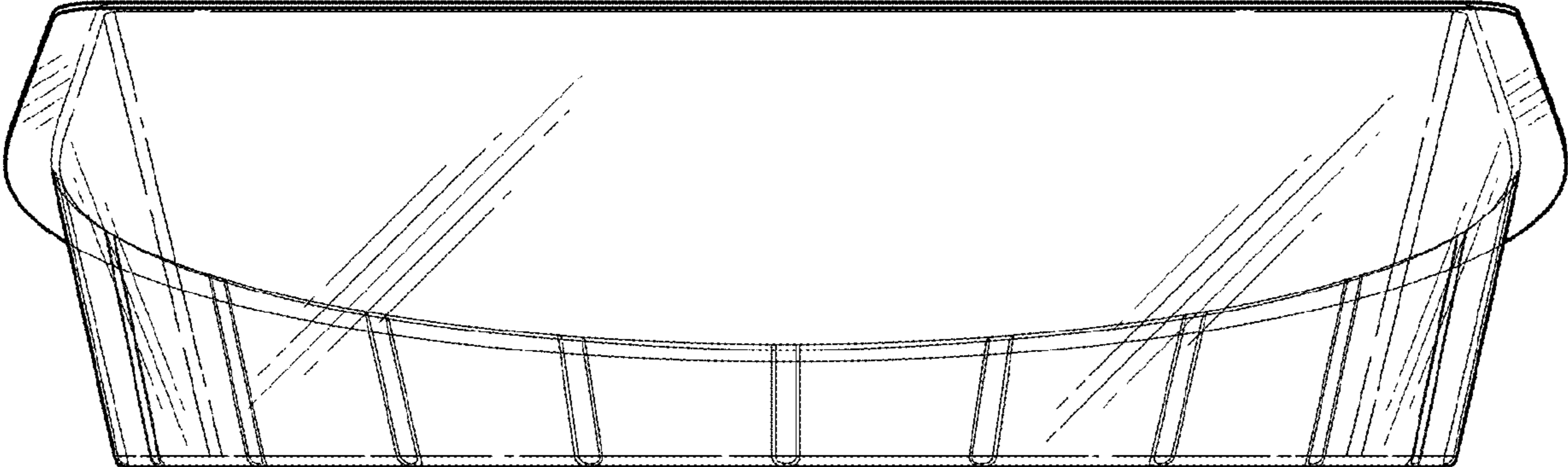


FIG. 5

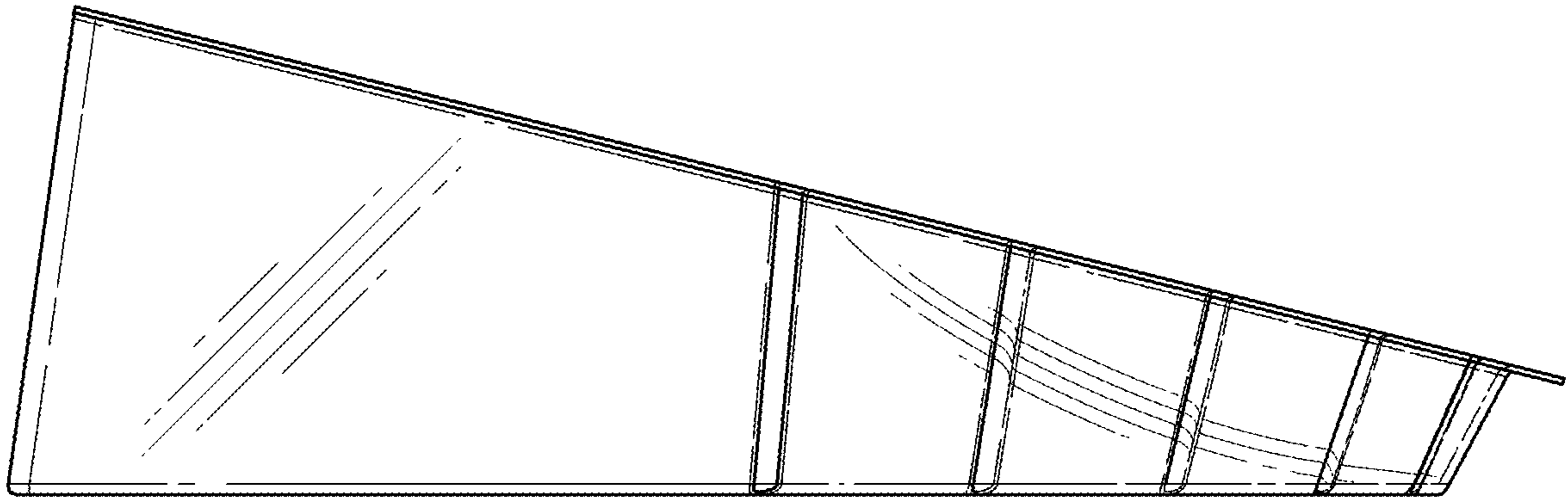


FIG. 6

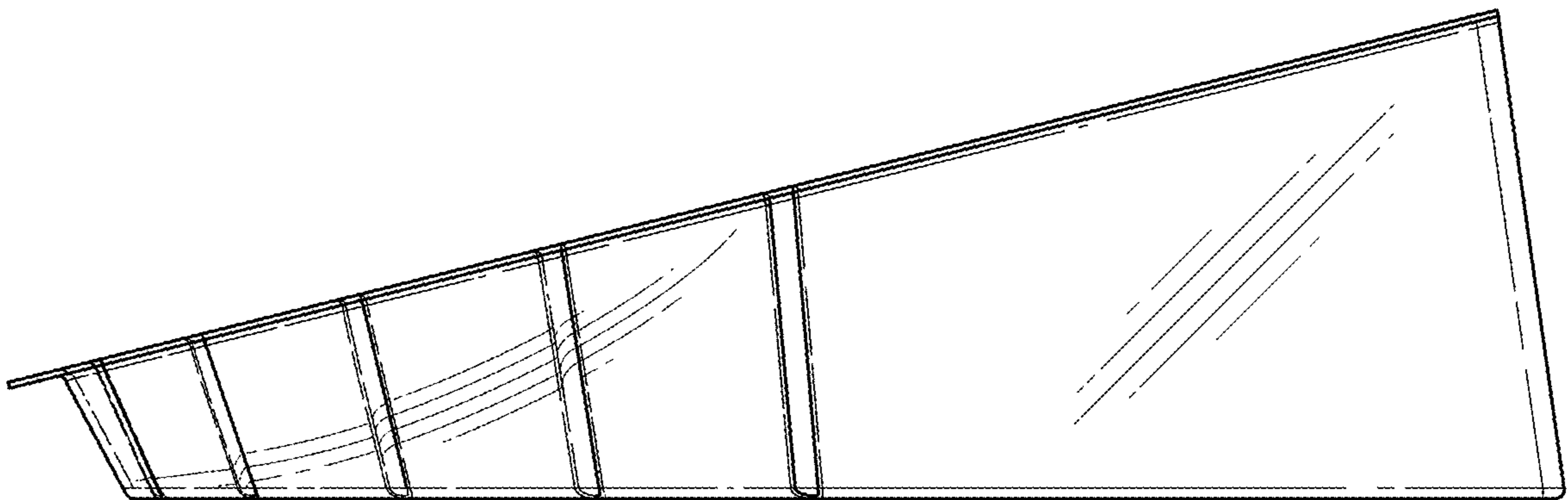


FIG. 7

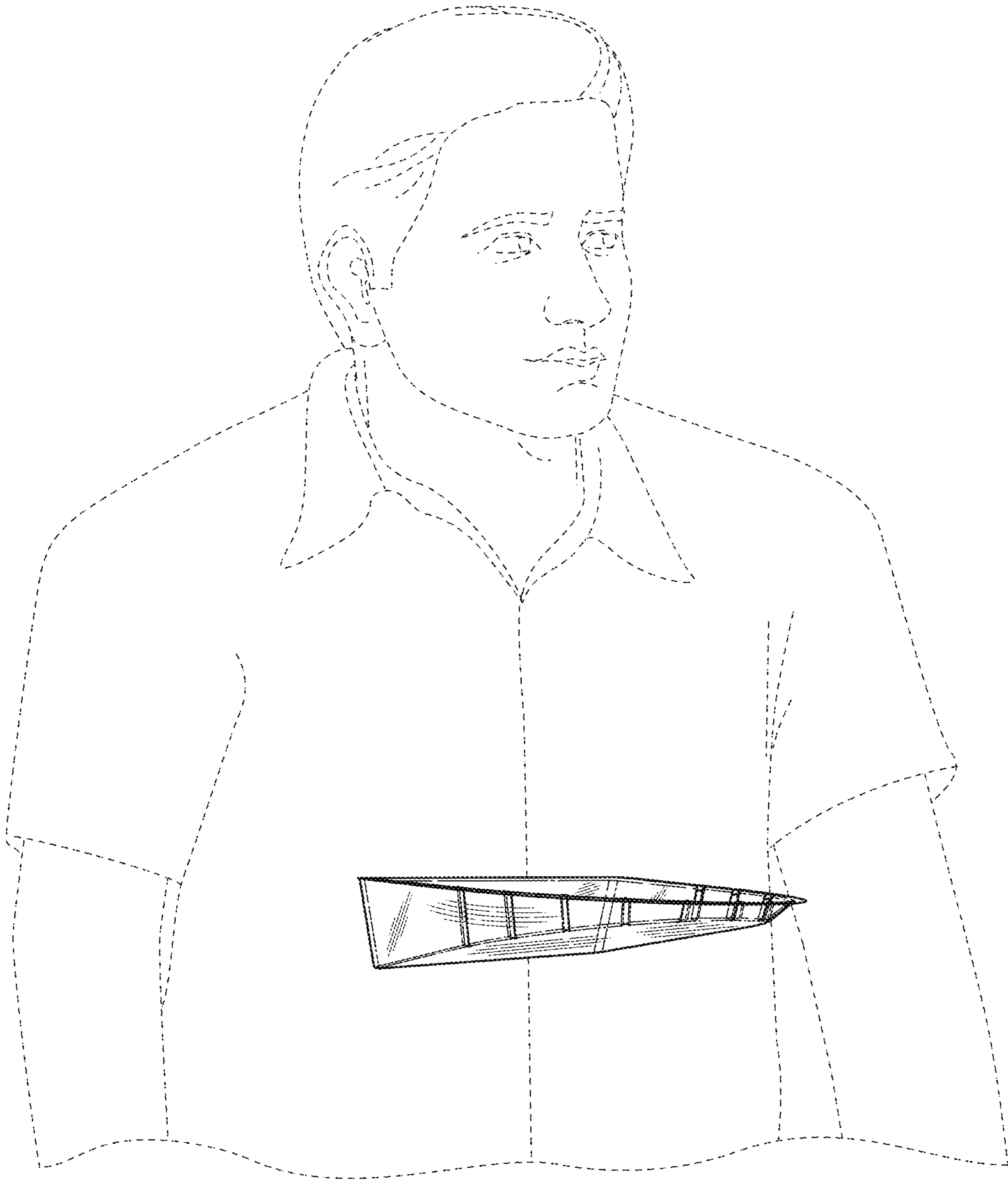


FIG. 8