



US00D879606S

(12) **United States Design Patent** (10) **Patent No.:** **US D879,606 S**
Sill et al. (45) **Date of Patent:** **** Mar. 31, 2020**

(54) **CLOSEABLE CONTAINER**

- (71) Applicant: **Inno-Pak, LLC**, Delaware, OH (US)
- (72) Inventors: **Jonathan D. Sill**, Powell, OH (US);
Steven A. Mayer, Indianapolis, IN (US)
- (73) Assignee: **Inno-Pak, LLC**, Delaware, OH (US)
- (**) Term: **15 Years**
- (21) Appl. No.: **29/605,393**
- (22) Filed: **May 25, 2017**

Related U.S. Application Data

- (60) Division of application No. 29/573,833, filed on Aug. 10, 2016, now Pat. No. Des. 787,933, which is a division of application No. 29/545,308, filed on Nov. 11, 2015, now Pat. No. Des. 774,897, which is a continuation-in-part of application No. 29/527,085, filed on May 15, 2015, now Pat. No. Des. 762,113.
- (51) **LOC (12) Cl.** **09-03**
- (52) **U.S. Cl.**
USPC **D9/432**
- (58) **Field of Classification Search**
USPC D9/414-419, 499, 422, 421, 431-434,
D9/721; D19/91; D7/538; D3/317;
D99/37; D28/83
CPC B65D 5/4204
See application file for complete search history.

(56) **References Cited**

U.S. PATENT DOCUMENTS

D259,253 S	5/1981	Nelson
D291,065 S	7/1987	Pugh
D295,958 S	5/1988	Pugh
4,911,298 A	3/1990	Miyagawa
D309,262 S	7/1990	Coiner

(Continued)

OTHER PUBLICATIONS

Notice of Allowance dated Apr. 18, 2016 from U.S. Appl. No. 29/527,085.
Office Action dated Feb. 1, 2016 from U.S. Appl. No. 29/516,707.
Primary Examiner — Rhea Shields
(74) *Attorney, Agent, or Firm* — Ward and Smith, P.A.;
Ryan K. Simmons

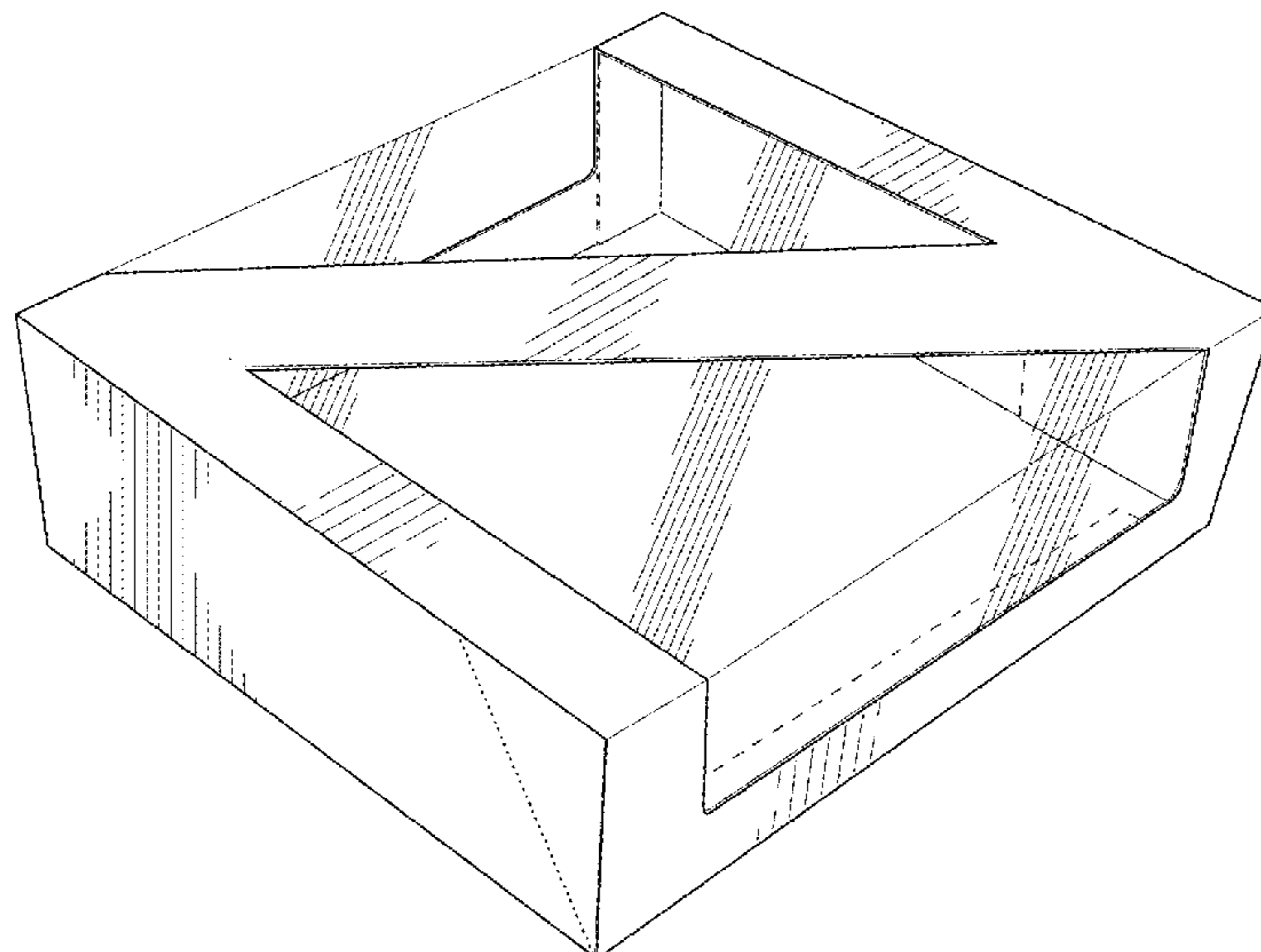
(57) **CLAIM**

The ornamental design for a closeable container, as shown and described.

DESCRIPTION

FIG. 1 is a perspective view of a closeable container showing a new design;
FIG. 2 is a left side view thereof, the right side being a mirror image;
FIG. 3 is a front view thereof, the rear being a mirror image;
FIG. 4 is a top plan view thereof;
FIG. 5 is a bottom plan view thereof;
FIG. 6 is another perspective view thereof, showing the closeable container in an open configuration;
FIG. 7 is another perspective view of the closeable container of FIG. 1 showing an alternate configuration;
FIG. 8 is a left side view thereof, the right side being a mirror image;
FIG. 9 is a front view thereof, the rear being a mirror image;
FIG. 10 is a top plan view thereof;
FIG. 11 is a bottom plan view thereof; and,
FIG. 12 is another perspective view thereof, showing the closeable container in an open configuration.
In FIGS. 1, 2, 6-8, and 12 the dotted lines are for the purpose of illustrating perforations. In FIGS. 1, 4, 6, 7, 10, and 12 the dash-dash broken lines are for the purpose of illustrating environment and form no part of the claimed design.

1 Claim, 10 Drawing Sheets



(56)

References Cited

U.S. PATENT DOCUMENTS

5,114,002 A	5/1992	Warner		D708,511 S	7/2014	Green	
D332,347 S	1/1993	Raadt		D710,713 S *	8/2014	Fath	D9/721
D332,744 S	1/1993	McCooley		D712,275 S	9/2014	Irek	
D333,781 S	3/1993	Kobel		D713,716 S	9/2014	Oja et al.	
D365,755 S	1/1996	Kanfer et al.		D716,649 S	11/2014	McAdam	
5,505,372 A	4/1996	Edson		D717,162 S	11/2014	Baker	
D372,401 S	8/1996	Lillelund et al.		D717,163 S	11/2014	Paulsen	
D401,147 S	11/1998	Miller		D717,645 S	11/2014	Wilmers	
D415,960 S	11/1999	Majdanski et al.		D719,440 S	12/2014	Matloff	
5,992,733 A	11/1999	Gomes		D722,869 S *	2/2015	Himmelsbach	D9/432
D440,491 S *	4/2001	Stacy-Ryan	D9/434	D727,732 S *	4/2015	Petty	D9/415
6,227,367 B1	5/2001	Harrelson		D728,357 S	5/2015	Pierce	
D464,878 S	10/2002	Thompson		D729,055 S	5/2015	Lemnios et al.	
D469,349 S *	1/2003	Meeker	D9/418	D729,058 S	5/2015	Ishikawa	
D469,692 S *	2/2003	Meeker	D9/431	D734,145 S *	7/2015	Fath	D9/418
D485,172 S	1/2004	Defino		D739,228 S	9/2015	Jondal et al.	
D518,371 S *	4/2006	Franic	D9/417	D743,248 S *	11/2015	Fath	D9/418
D519,366 S	4/2006	Epstein		D746,673 S	1/2016	Sanfilippo	
D527,629 S *	9/2006	Franic	D9/431	D746,699 S *	1/2016	Fath	D9/721
D536,245 S	2/2007	Bruun		D746,700 S	1/2016	Boehnen et al.	
D536,612 S *	2/2007	Geurts	D9/432	D753,919 S *	4/2016	Parker	D3/317
D540,164 S *	4/2007	Franic	D9/434	D760,598 S	7/2016	White	
D570,683 S *	6/2008	Kortsmmit	D9/431	D762,113 S *	7/2016	Mayer	D9/418
D578,883 S	10/2008	Kisch		D762,465 S *	8/2016	Popper	D9/415
D580,751 S	11/2008	Blick		D766,108 S	9/2016	Brown	
D587,998 S	3/2009	Kaisanlahti		D774,891 S *	12/2016	Mayer	D9/418
D593,211 S	5/2009	Dewitt		D774,893 S *	12/2016	Mayer	D9/418
D595,104 S	6/2009	Goodrich		D774,895 S *	12/2016	Mayer	D9/418
D596,027 S *	7/2009	Kalberer	D9/432	D774,896 S *	12/2016	Mayer	D9/418
D601,016 S *	9/2009	Kalberer	D9/432	D774,897 S	12/2016	Mayer	
D602,353 S	10/2009	Anderson et al.		D774,898 S *	12/2016	Mayer	D9/418
D605,506 S *	12/2009	Franic	D9/433	D776,522 S *	1/2017	Mayer	D9/418
D607,987 S	1/2010	Paxton		D786,663 S *	5/2017	Mayer	D9/418
D616,739 S *	6/2010	Kalberer	D9/431	D787,313 S *	5/2017	Mayer	D9/418
D617,636 S	6/2010	Vanhoutte		D787,314 S *	5/2017	Sill	D9/418
D618,543 S	6/2010	Polaski		D787,315 S *	5/2017	Sill	D9/418
7,780,004 B2	8/2010	Carlozzi		D787,316 S *	5/2017	Sill	D9/418
D623,939 S	9/2010	Tearle		D787,929 S *	5/2017	Sill	D9/418
D624,405 S *	9/2010	Franic	D9/433	D787,933 S *	5/2017	Sill	D9/418
D626,831 S *	11/2010	Nicholas	D9/432	D789,783 S	6/2017	DeBusk	
D629,294 S *	12/2010	Chinnis	D9/431	D795,696 S *	8/2017	Pitera	D9/499
D629,295 S *	12/2010	Franic	D9/433	D799,317 S *	10/2017	Sill	D9/418
D636,662 S	4/2011	Ignacio et al.		D799,955 S *	10/2017	Sill	D9/418
D637,078 S	5/2011	Peng		D800,546 S *	10/2017	Sill	D9/418
D637,488 S *	5/2011	Franic	D9/433	D800,547 S *	10/2017	Sill	D9/418
D638,702 S	5/2011	Lowery		D800,548 S *	10/2017	Sill	D9/418
D644,099 S	8/2011	Martinez Rodriguez		D804,298 S *	12/2017	Demmink	D9/418
D644,508 S	9/2011	Martinez Rodriguez		D809,917 S *	2/2018	Wieser	D9/433
D646,964 S	10/2011	Ampadu		D816,479 S *	5/2018	Sill	D9/418
D647,398 S	10/2011	Winkler		D816,480 S *	5/2018	Sill	D9/418
D649,067 S *	11/2011	Birdwell	D9/418	D816,481 S *	5/2018	Sill	D9/418
D649,451 S *	11/2011	Franic	D9/433	D820,688 S *	6/2018	Fath	D9/721
D649,886 S	12/2011	Ocampo		D822,283 S *	7/2018	Gaito	D28/83
D651,074 S	12/2011	Lacey		D822,480 S	7/2018	Rivera	
D655,153 S	3/2012	Mitten		D829,095 S	9/2018	McKenna	
D668,540 S	10/2012	Lutzig		D839,725 S *	2/2019	Ralston	D9/418
D675,092 S	1/2013	Sill		D840,219 S	2/2019	McKenna	
8,356,743 B2	1/2013	Spivey, Sr.		D840,807 S	2/2019	Ross	
D675,920 S	2/2013	Sill		D842,098 S	3/2019	Ross	
8,376,214 B2	2/2013	Spivey, Sr.		D844,430 S *	4/2019	Dammers	D9/431
D678,779 S *	3/2013	Lee	D9/418	D846,378 S *	4/2019	Sill	D9/418
D679,950 S *	4/2013	Cooper	D7/538	D846,379 S *	4/2019	Sill	D9/418
D681,444 S	5/2013	Oja et al.		D846,981 S *	4/2019	Sill	D9/418
D685,633 S	7/2013	Thomas		D846,982 S *	4/2019	Horne	D9/418
D688,568 S	8/2013	Noel		D847,454 S *	4/2019	Mathia	D99/37
D693,215 S	11/2013	Sill		D847,626 S *	5/2019	Sill	D9/418
D693,216 S	11/2013	Sill		D852,032 S *	6/2019	Horne	D9/415
D693,217 S	11/2013	Sill		D854,925 S *	7/2019	Fath	D9/418
D693,218 S *	11/2013	Sill	D9/418	D856,131 S *	8/2019	Hon	D9/418
D695,104 S *	12/2013	Sill	D9/418	D856,794 S	8/2019	Sill et al.	
D696,725 S *	12/2013	Sasken-Duff	D19/91	D856,795 S	8/2019	Sill et al.	
8,607,987 B2 *	12/2013	Oja	B65D 5/4204 206/776	D856,796 S	8/2019	Sill et al.	
D699,103 S *	2/2014	Rathbone	D9/418	D856,797 S	8/2019	Sill et al.	
D706,132 S	6/2014	Sill		D865,517 S	11/2019	Gressel et al.	
				D867,125 S	11/2019	Sill et al.	
				2009/0236351 A1	9/2009	Chu et al.	
				2010/0059579 A1	3/2010	House	
				2013/0220873 A1	8/2013	Holley, Jr.	
				2014/0103100 A1	4/2014	Falcon	

(56)

References Cited

U.S. PATENT DOCUMENTS

2015/0344216	A1	12/2015	Petty et al.
2016/0009442	A1	1/2016	Block
2016/0362220	A1	12/2016	Kearns
2017/0066586	A1	3/2017	Petty
2018/0009585	A1	1/2018	Ramsuer
2018/0022500	A1	1/2018	Zhu
2018/0118403	A1	5/2018	Petty
2018/0127141	A1	5/2018	Brundage
2018/0141734	A1	5/2018	Kooc
2018/0297761	A1	10/2018	Alexander
2018/0319560	A1	11/2018	Blin
2019/0009946	A1	1/2019	Nixon
2019/0016501	A1	1/2019	Djokovic

* cited by examiner

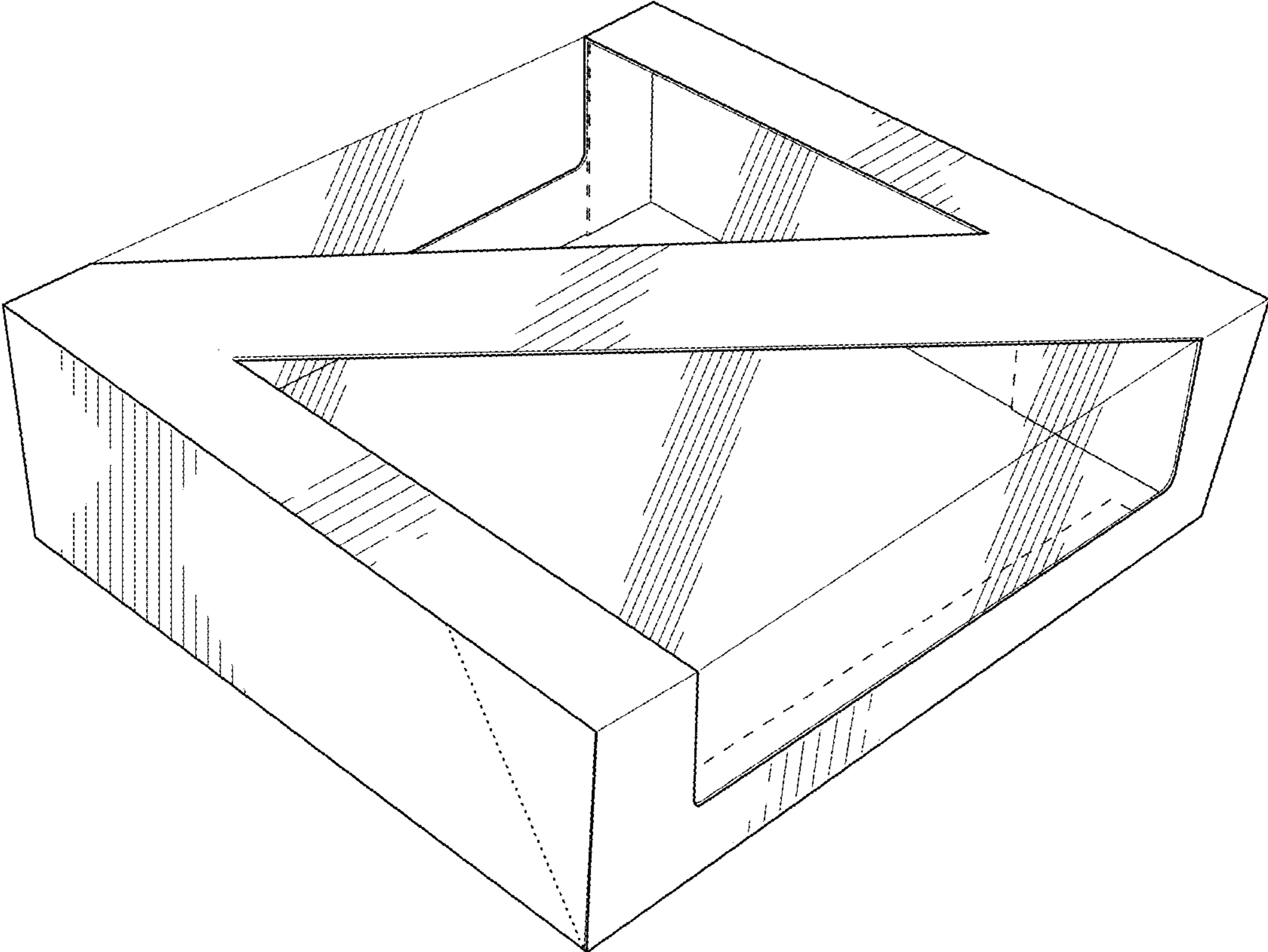


FIG. 1

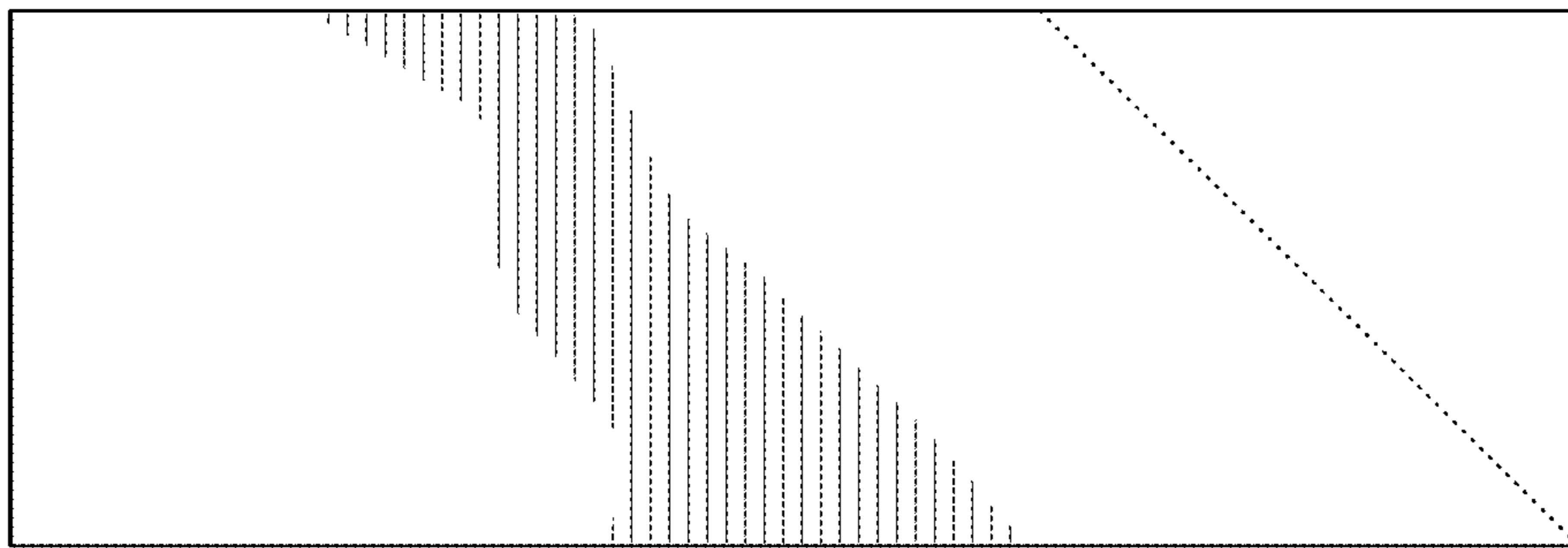


FIG. 2

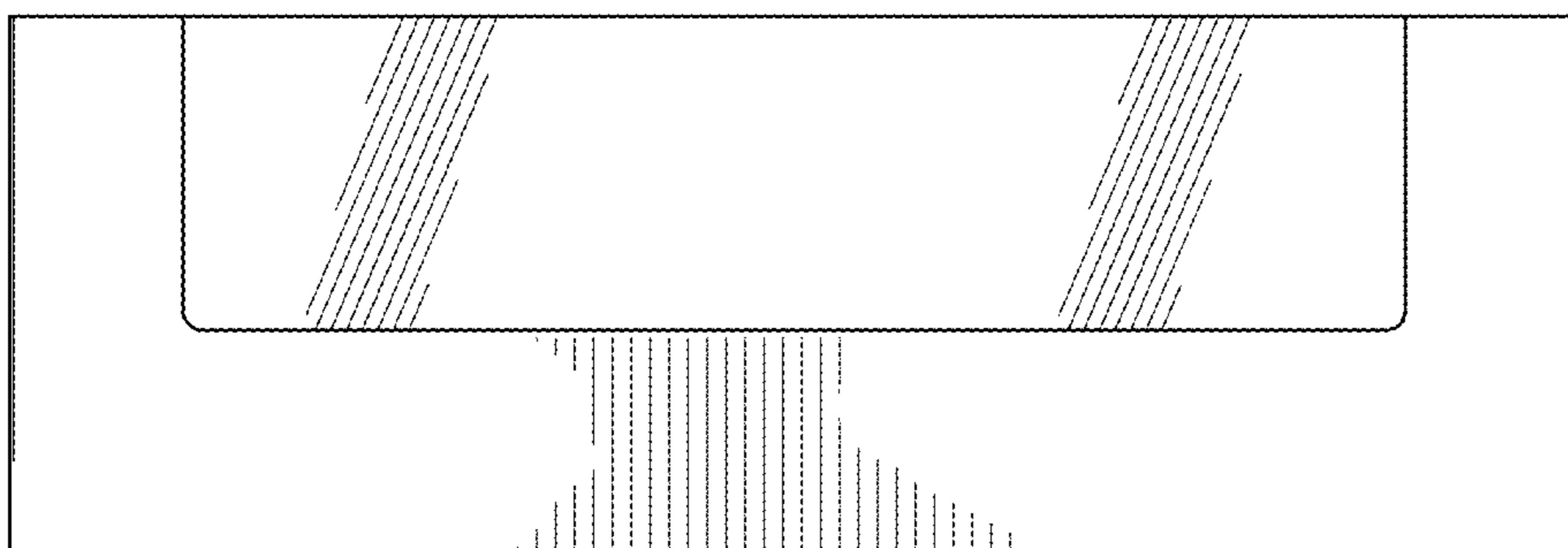


FIG. 3

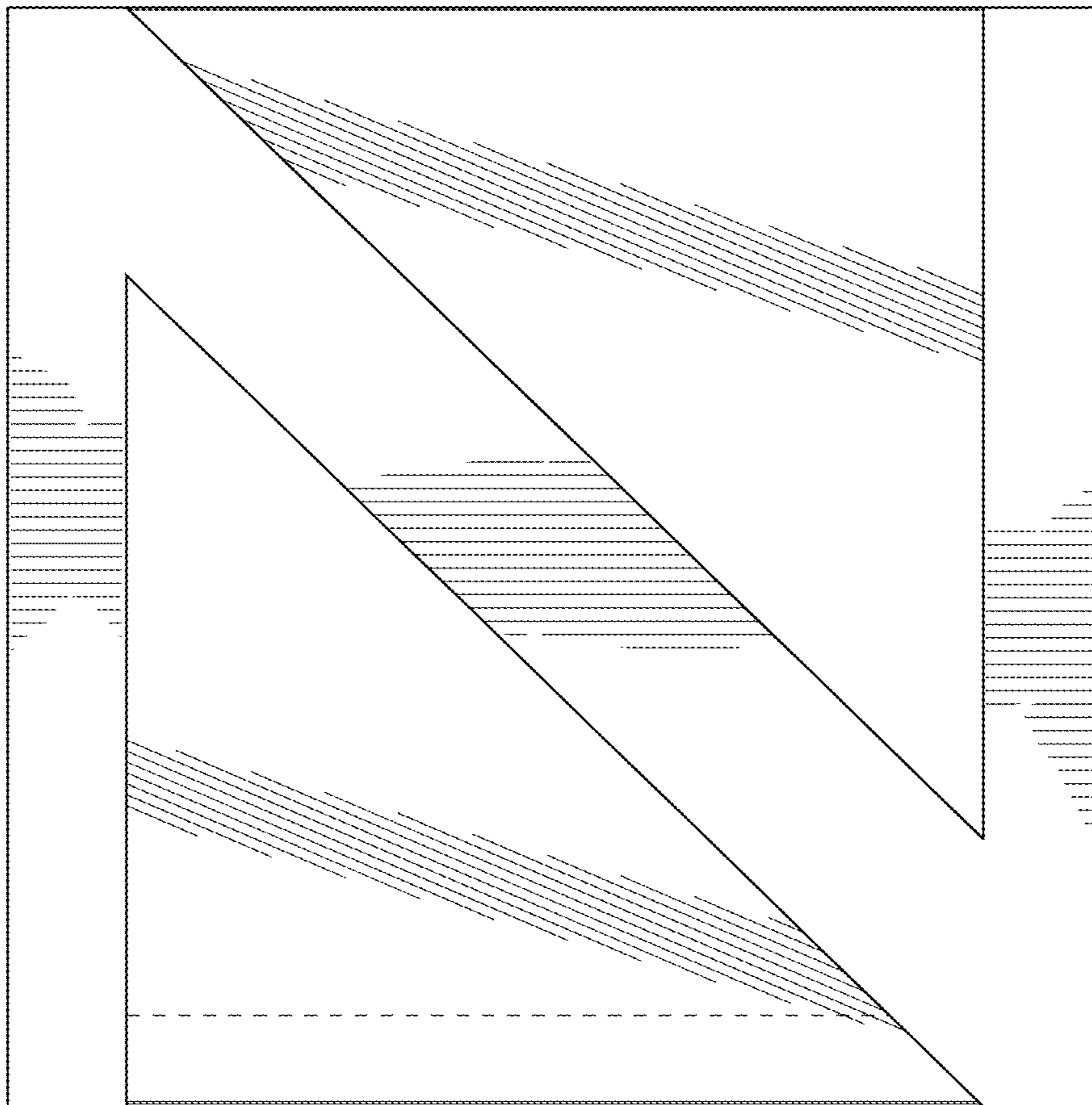


FIG. 4

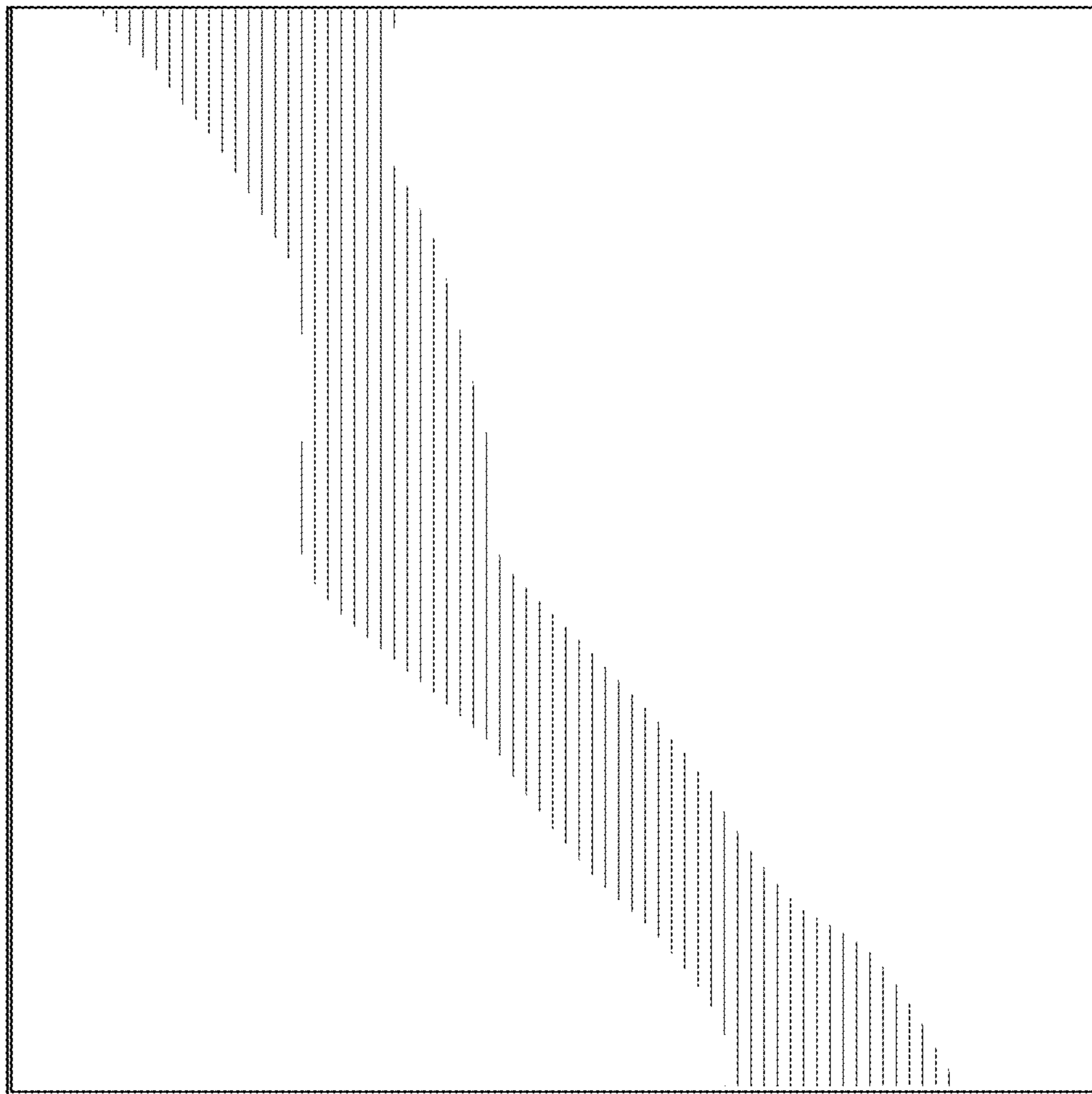


FIG. 5

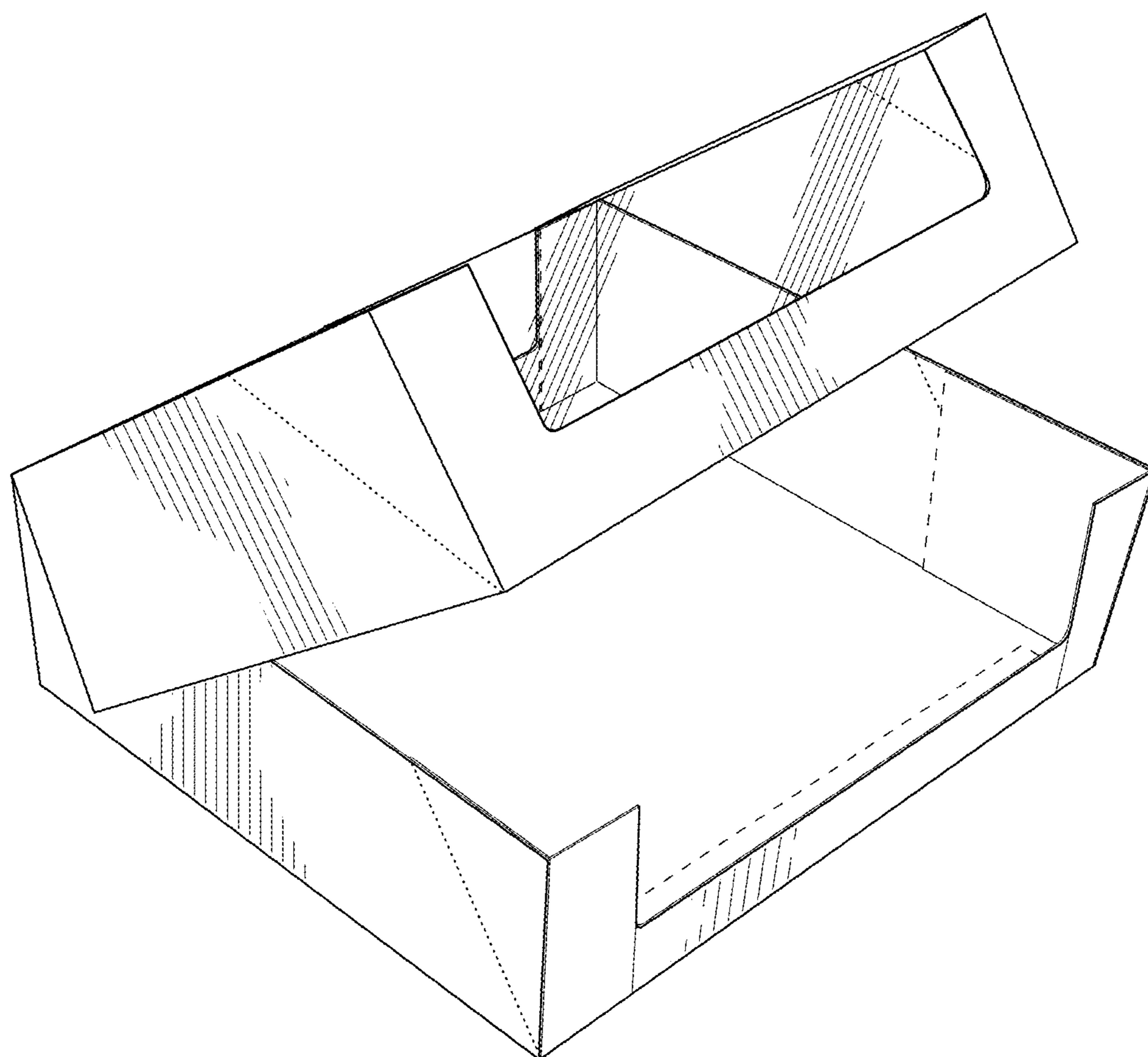


FIG. 6

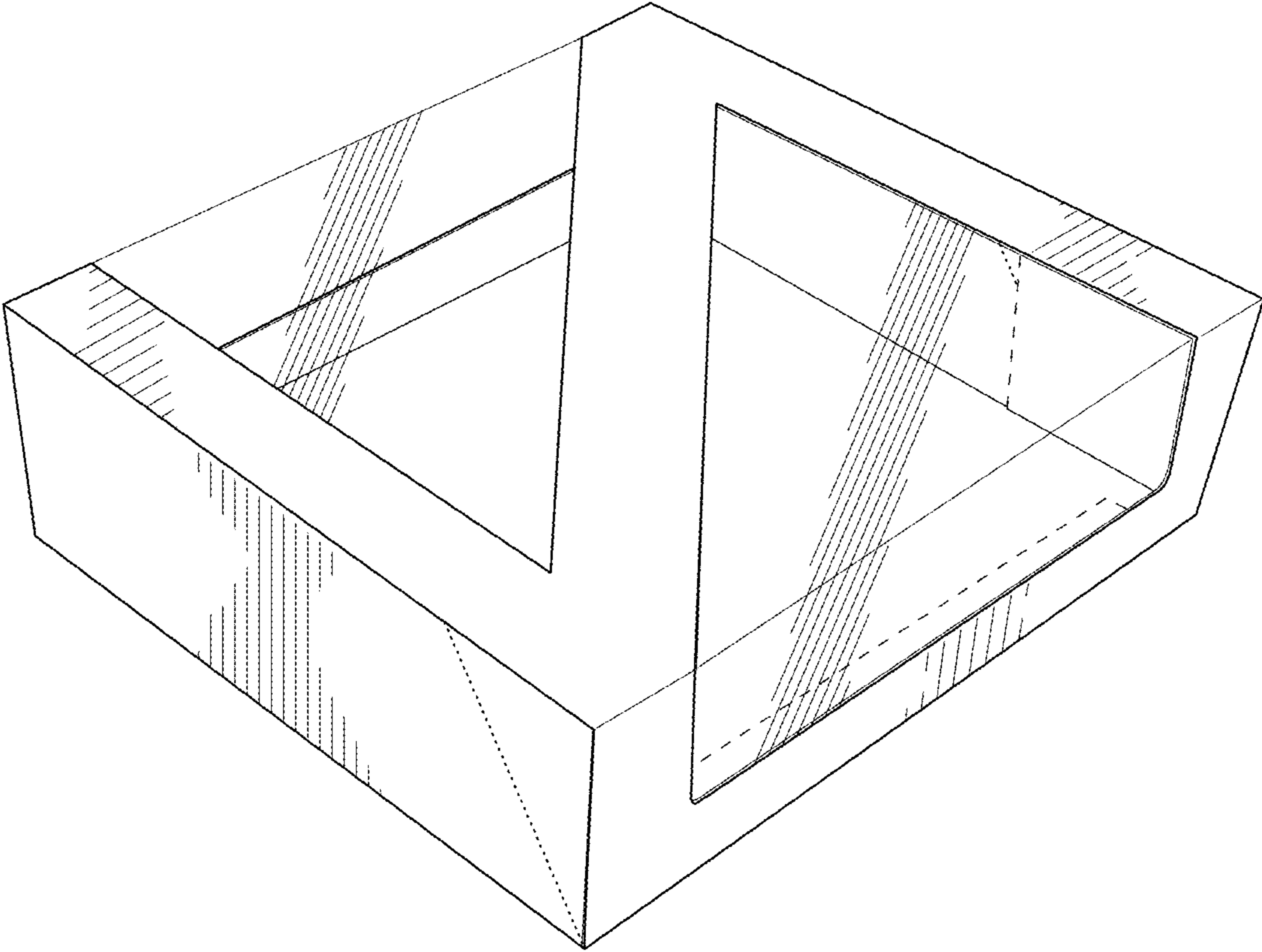


FIG. 7

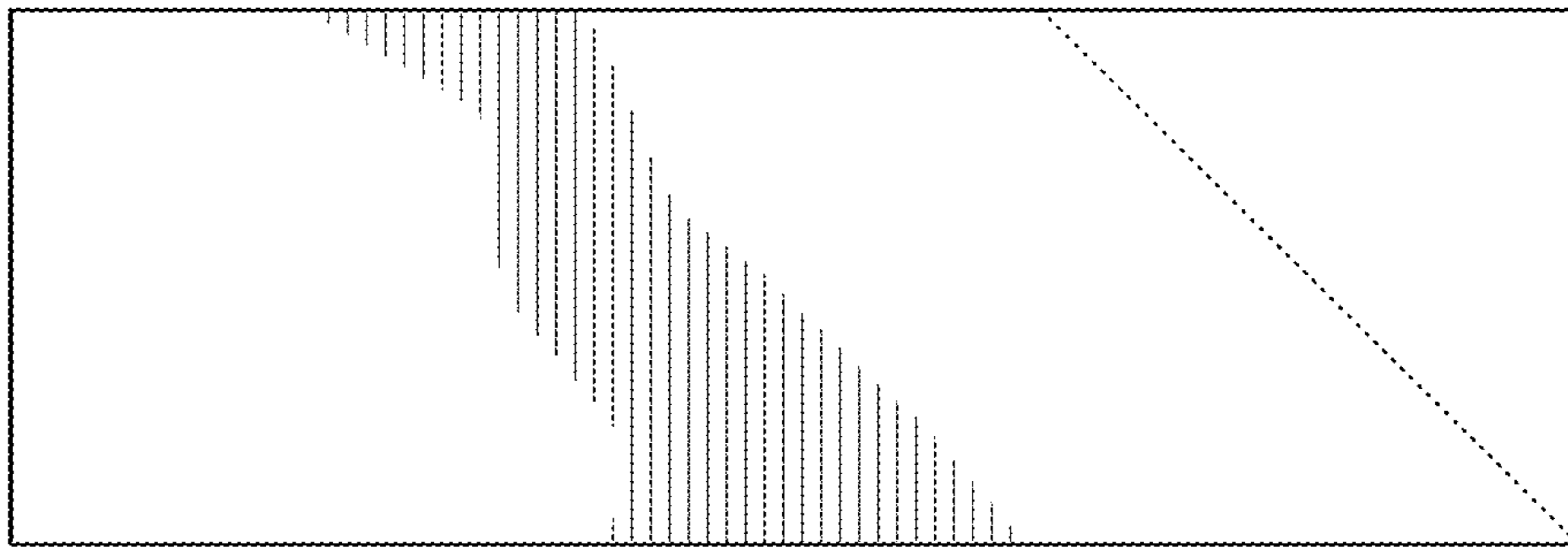


FIG. 8

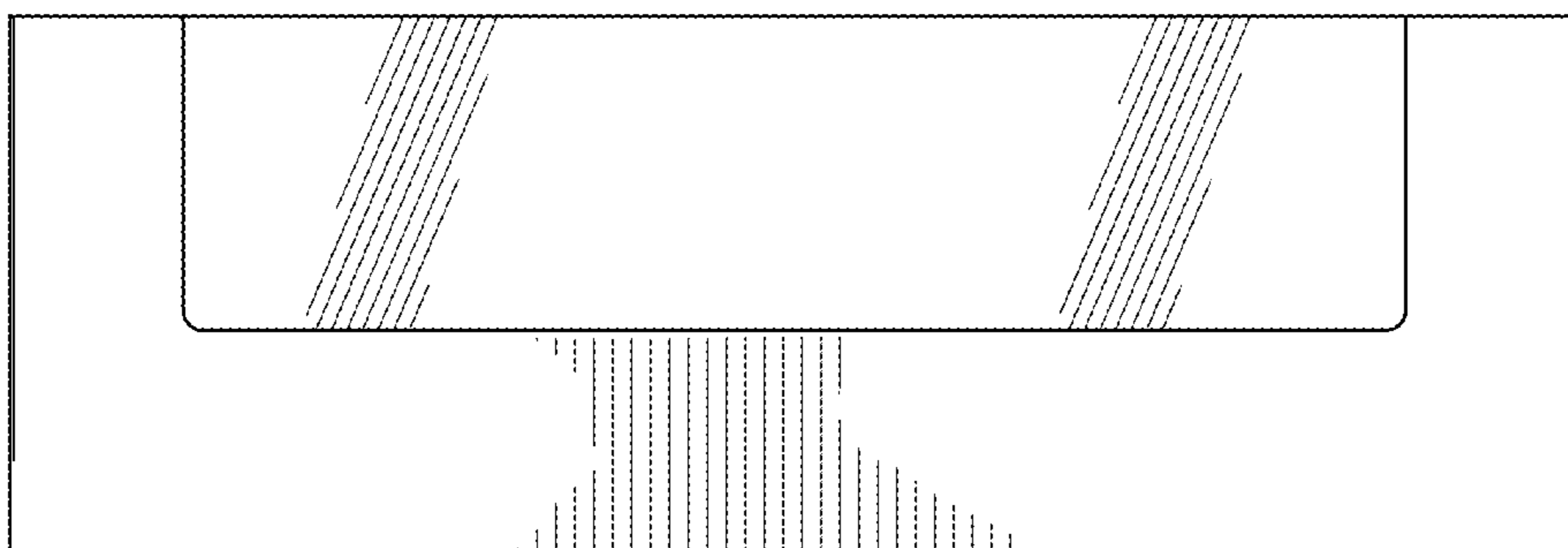


FIG. 9

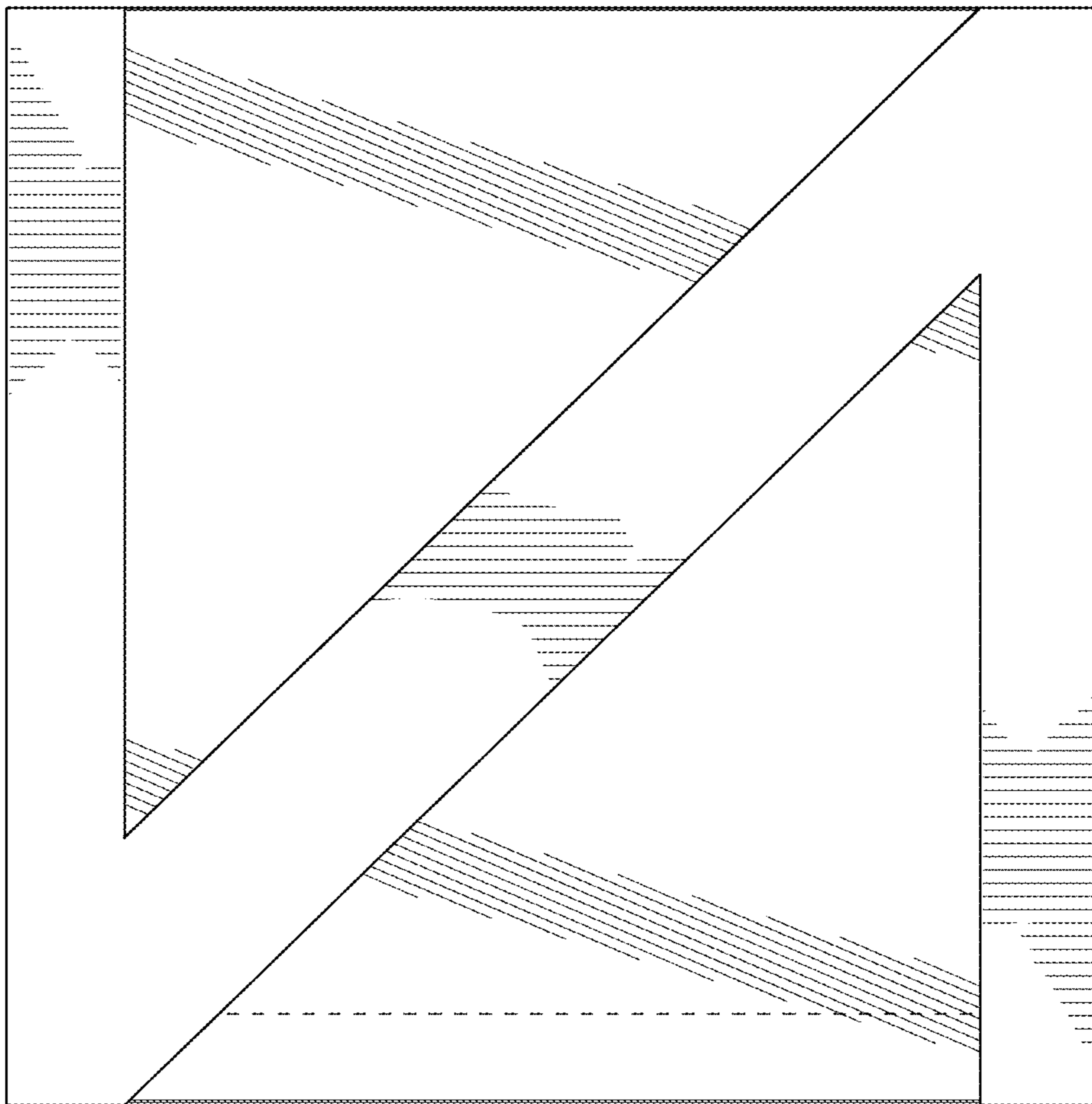


FIG. 10

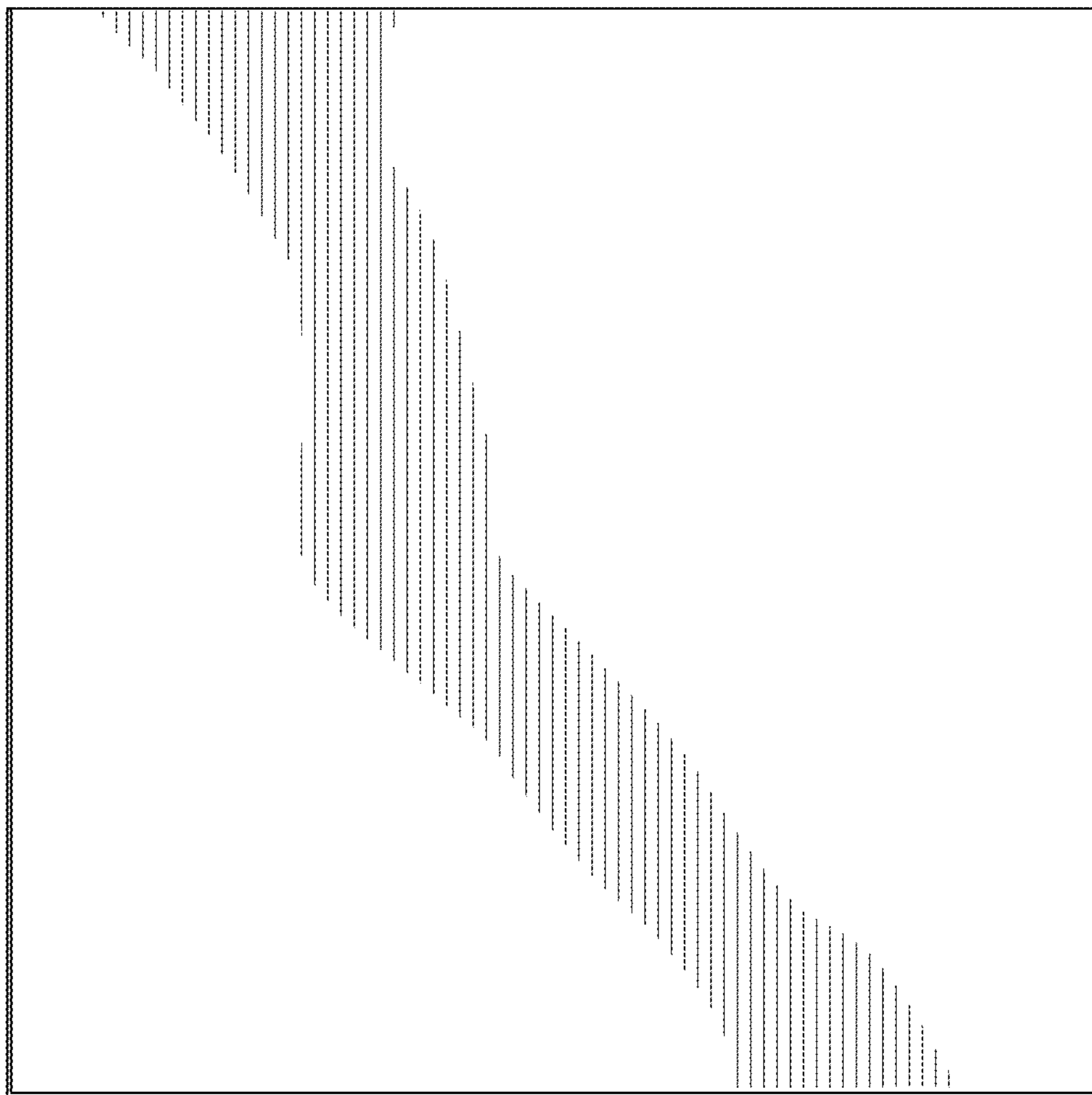


FIG. 11

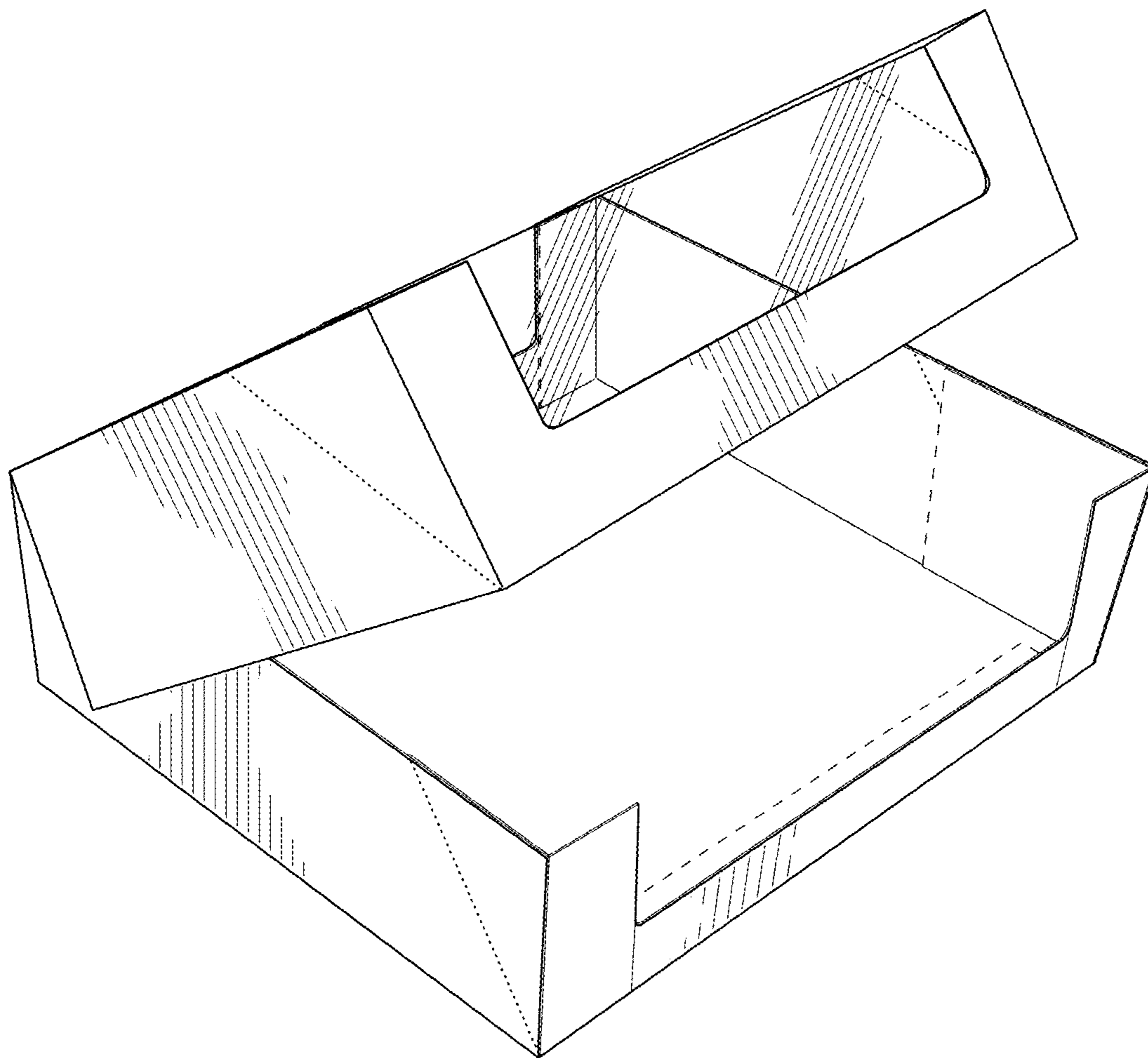


FIG. 12