



US00D879604S

(12) **United States Design Patent**  
**Sill et al.**

(10) **Patent No.:** **US D879,604 S**  
(45) **Date of Patent:** **\*\* Mar. 31, 2020**

(54) **CLOSEABLE CARTON**

(71) Applicant: **Inno-Pak, LLC**, Delaware, OH (US)

(72) Inventors: **Jonathan D. Sill**, Delaware, OH (US);  
**Steven A. Mayer**, Indianapolis, IN (US)

(73) Assignee: **Inno-Pak, LLC**, Delaware, OH (US)

(\*\*) Term: **15 Years**

(21) Appl. No.: **29/633,123**

(22) Filed: **Jan. 12, 2018**

**Related U.S. Application Data**

(60) Continuation-in-part of application No. 29/573,421, filed on Aug. 5, 2016, now abandoned, which is a division of application No. 29/539,525, filed on Sep. 15, 2015, now Pat. No. Des. 774,893, which is a continuation of application No. 29/527,085, filed on May 15, 2015, now Pat. No. Des. 762,113,  
(Continued)

(51) **LOC (12) Cl.** ..... **09-03**

(52) **U.S. Cl.**  
USPC ..... **D9/418**

(58) **Field of Classification Search**  
USPC ..... D9/414-419, 499, 431, 432, 422, 421;  
D19/91; D7/538  
CPC ..... B65D 5/4204  
See application file for complete search history.

(56) **References Cited**

**U.S. PATENT DOCUMENTS**

D259,253 S 5/1981 Nelson  
D291,065 S 7/1987 Pugh  
(Continued)

**OTHER PUBLICATIONS**

Notice of Allowance dated Apr. 18, 2016 from U.S. Appl. No. 29/527,085.  
Office Action dated Feb. 1, 2016 from U.S. Appl. No. 29/516,707.

*Primary Examiner* — Rhea Shields

(74) *Attorney, Agent, or Firm* — Ward and Smith, P.A.;  
Ryan K. Simmons

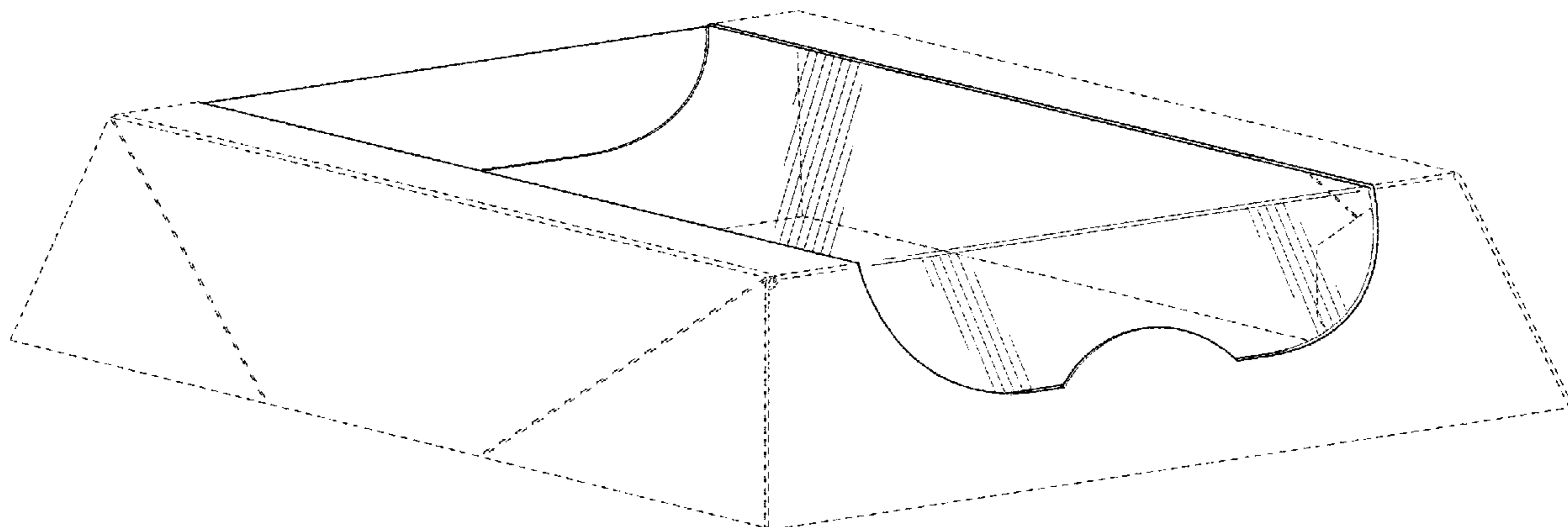
(57) **CLAIM**

The ornamental design for a closeable carton, as shown and described.

**DESCRIPTION**

FIG. 1 is a front perspective view of a first embodiment of a closeable carton showing a new design; FIG. 2 is a rear perspective view thereof; FIG. 3 is a front elevation view thereof; FIG. 4 is a rear elevation view thereof; FIG. 5 is a top plan view thereof; FIG. 6 is a front perspective view of a second embodiment of the closeable carton showing an alternate embodiment; FIG. 7 is a rear perspective view thereof; FIG. 8 is a front elevation view thereof; FIG. 9 is a rear elevation view thereof; FIG. 10 is a top plan view thereof; FIG. 11 is a front perspective view of a third embodiment of the closeable carton showing another alternate embodiment, the rear perspective view being a mirror image; FIG. 12 is a front elevation view thereof, the rear elevation view being a mirror image; FIG. 13 is a top plan view thereof; FIG. 14 is a front perspective view of a fourth embodiment of the closeable carton showing yet another alternate embodiment, the rear perspective view being a mirror image; FIG. 15 is a front elevation view thereof, the rear elevation view being a mirror image; and, FIG. 16 is a top plan view thereof. The broken lines are for the purpose of illustrating environment and form no part of the claimed design.

**1 Claim, 14 Drawing Sheets**





**Related U.S. Application Data**

application No. 29/633,123, which is a continuation-in-part of application No. 29/573,599, filed on Aug. 8, 2016, now abandoned, which is a division of application No. 29/545,302, filed on Nov. 11, 2015, now Pat. No. Des. 774,896, which is a continuation-in-part of application No. 29/527,085, filed on May 15, 2015, now Pat. No. Des. 762,113, application No. 29/633,123, which is a continuation-in-part of application No. 29/604,589, filed on May 18, 2017, now Pat. No. Des. 816,480, which is a division of application No. 29/573,472, filed on Aug. 5, 2016, now Pat. No. Des. 787,314, which is a division of application No. 29/545,297, filed on Nov. 11, 2015, now Pat. No. Des. 786,663, which is a continuation of application No. 29/516,707, filed on Feb. 5, 2015, now Pat. No. Des. 774,891, application No. 29/633,123, which is a continuation of application No. 29/604,586, filed on May 18, 2017, now Pat. No. Des. 816,479, which is a division of application No. 29/573,600, filed on Aug. 8, 2016, now Pat. No. Des. 787,316, which is a division of application No. 29/545,304, filed on Nov. 11, 2015, now Pat. No. Des. 787,313, which is a continuation-in-part of application No. 29/527,085, filed on May 15, 2015, now Pat. No. Des. 762,113, application No. 29/633,123, which is a continuation of application No. 29/615,117, filed on Aug. 25, 2017, now Pat. No. Des. 846,378, which is a division of application No. 29/566,225, filed on May 27, 2016, now Pat. No. Des. 800,546, application No. 29/633,123, filed on Aug. 25, 2017, which is a continuation of application No. 29/615,115, filed on Aug. 25, 2017, now Pat. No. Des. 846,981, which is a division of application No. 29/567,061, filed on Jun. 6, 2016, now Pat. No. Des. 799,955, application No. 29/633,123, which is a continuation of application No. 29/615,120, filed on Aug. 25, 2017, which is a division of application No. 29/573,602, filed on Aug. 8, 2016, now Pat. No. Des. 799,317, which is a division of application No. 29/545,314, filed on Nov. 11, 2015, now Pat. No. Des. 776,522, application No. 29/633,123, which is a continuation of application No. 29/615,119, filed on Aug. 25, 2017, now Pat. No. Des. 847,626, which is a division of application No. 29/567,062, filed on Jun. 6, 2016, now Pat. No. Des. 800,548, application No. 29/633,123, which is a continuation of application No. 29/615,118, filed on Aug. 25, 2017, now Pat. No. Des. 846,379, which is a division of application No. 29/566,228, filed on May 27, 2016, now Pat. No. Des. 800,547.

6,227,367	B1	5/2001	Harrelson	
D464,878	S	10/2002	Thompson	
D469,349	S *	1/2003	Meeker .....	D9/418
D469,692	S *	2/2003	Meeker .....	D9/431
D485,172	S	1/2004	Defino	
D519,366	S	4/2006	Epstein	
D536,245	S	2/2007	Bruun	
D536,612	S *	2/2007	Geurts .....	D9/432
D578,883	S	10/2008	Kisch	
D580,751	S	11/2008	Blick	
D587,998	S	3/2009	Kaisanlahti	
D593,211	S	5/2009	Dewitt	
D595,104	S	6/2009	Goodrich	
D602,353	S	10/2009	Anderson et al.	
D607,987	S	1/2010	Paxton	
D617,636	S	6/2010	Vanhoutte	
D618,543	S	6/2010	Polaski	
7,780,004	B2	8/2010	Carlozzi	
D623,939	S	9/2010	Tearle	
D626,831	S *	11/2010	Nicholas .....	D9/432
D636,662	S	4/2011	Ignacio et al.	
D637,078	S	5/2011	Peng	
D638,702	S	5/2011	Lowery	
D644,099	S	8/2011	Martinez Rodriguez	
D644,508	S	9/2011	Martinez Rodriguez	
D646,964	S	10/2011	Ampadu	
D647,398	S	10/2011	Winkler	
D649,067	S *	11/2011	Birdwell .....	D9/418
D649,886	S	12/2011	Ocampo	
D651,074	S	12/2011	Lacey	
D655,153	S	3/2012	Mitten	
D668,540	S	10/2012	Lutzig	
D675,092	S	1/2013	Sill	
8,356,743	B2	1/2013	Spivey, Sr.	
D675,920	S	2/2013	Sill	
8,376,214	B2	2/2013	Spivey, Sr.	
D678,779	S *	3/2013	Lee .....	D9/418
D679,950	S *	4/2013	Cooper .....	D7/538
D681,444	S	5/2013	Oja et al.	
D685,633	S	7/2013	Thomas	
D688,568	S	8/2013	Noel	
D693,215	S	11/2013	Sill	
D693,216	S	11/2013	Sill	
D693,217	S	11/2013	Sill	
D693,218	S *	11/2013	Sill .....	D9/418
D695,104	S *	12/2013	Sill .....	D9/418
D696,725	S *	12/2013	Sasken-Duff .....	D19/91
8,607,987	B2 *	12/2013	Oja .....	B65D 5/4204 206/776
D706,132	S	6/2014	Sill	
D708,511	S	7/2014	Green	
D712,275	S	9/2014	Irek	
D713,716	S	9/2014	Oja et al.	
D716,649	S	11/2014	McAdam	
D717,162	S	11/2014	Baker	
D717,163	S	11/2014	Paulsen	
D717,645	S	11/2014	Wilmers	
D719,440	S	12/2014	Matloff	
D727,732	S *	4/2015	Petty .....	D9/415
D728,357	S	5/2015	Pierce	
D729,055	S	5/2015	Lemnios et al.	
D729,058	S	5/2015	Ishikawa	
D739,228	S	9/2015	Jondal et al.	
D746,673	S	1/2016	Sanfilippo	
D746,700	S	1/2016	Boehnen et al.	
D753,919	S	4/2016	Parker	
D760,598	S	7/2016	White	
D762,113	S	7/2016	Mayer	
D766,108	S	9/2016	Brown	
D774,891	S	12/2016	Mayer	
D774,893	S	12/2016	Mayer	
D774,895	S *	12/2016	Mayer .....	D9/418
D774,896	S	12/2016	Mayer	
D774,897	S	12/2016	Mayer	
D774,898	S	12/2016	Mayer	
D776,522	S	1/2017	Mayer	
D786,663	S	5/2017	Mayer	
D787,313	S *	5/2017	Mayer .....	D9/418
D787,314	S *	5/2017	Sill .....	D9/418

(56)

**References Cited**

U.S. PATENT DOCUMENTS

D295,958	S	5/1988	Pugh
4,911,298	A	3/1990	Miyagawa
D309,262	S	7/1990	Coiner
5,114,002	A	5/1992	Warner
D332,347	S	1/1993	Raadt
D332,744	S	1/1993	McCooey
D333,781	S	3/1993	Kobel
D365,755	S	1/1996	Kanfer et al.
5,505,372	A	4/1996	Edson
D372,401	S	8/1996	Lillelund et al.
D401,147	S	11/1998	Miller
D415,960	S	11/1999	Majdanski et al.
5,992,733	A	11/1999	Gomes

(56)

References Cited

U.S. PATENT DOCUMENTS

D787,315 S *	5/2017	Sill	.....	D9/418	D846,982 S *	4/2019	Horne	.....	D9/418
D787,316 S *	5/2017	Sill	.....	D9/418	D847,626 S *	5/2019	Sill	.....	D9/418
D787,929 S	5/2017	Sill			D856,794 S	8/2019	Sill et al.		
D787,933 S	5/2017	Sill			D856,795 S	8/2019	Sill et al.		
D789,783 S	6/2017	DeBusk			D856,796 S	8/2019	Sill et al.		
D799,317 S	10/2017	Sill			D856,797 S	8/2019	Sill et al.		
D799,955 S	10/2017	Sill			D865,517 S	11/2019	Gressel et al.		
D800,546 S	10/2017	Sill			D867,125 S	11/2019	Sill et al.		
D800,547 S *	10/2017	Sill	.....	D9/418	2009/0236351 A1	9/2009	Chu et al.		
D800,548 S	10/2017	Sill			2010/0059579 A1	3/2010	House		
D804,298 S *	12/2017	Demmink	.....	D9/418	2013/0220873 A1	8/2013	Holley, Jr.		
D816,479 S *	5/2018	Sill	.....	D9/418	2014/0103100 A1	4/2014	Falcon		
D816,480 S *	5/2018	Sill	.....	D9/418	2015/0344216 A1	12/2015	Petty et al.		
D816,481 S	5/2018	Sill			2016/0009442 A1	1/2016	Block		
D822,480 S	7/2018	Rivera			2016/0362220 A1	12/2016	Keams		
D829,095 S	9/2018	McKenna			2017/0066586 A1	3/2017	Petty		
D840,219 S	2/2019	McKenna			2018/0009585 A1	1/2018	Ramsuer		
D840,807 S	2/2019	Ross			2018/0022500 A1	1/2018	Zhu		
D842,098 S	3/2019	Ross			2018/0118403 A1	5/2018	Petty		
D846,378 S *	4/2019	Sill	.....	D9/418	2018/0127141 A1	5/2018	Brundage		
D846,379 S *	4/2019	Sill	.....	D9/418	2018/0141734 A1	5/2018	Kooc		
D846,981 S *	4/2019	Sill	.....	D9/418	2018/0297761 A1	10/2018	Alexander		
					2018/0319560 A1	11/2018	Blin		
					2019/0009946 A1	1/2019	Nixon		
					2019/0016501 A1	1/2019	Djokovic		

\* cited by examiner

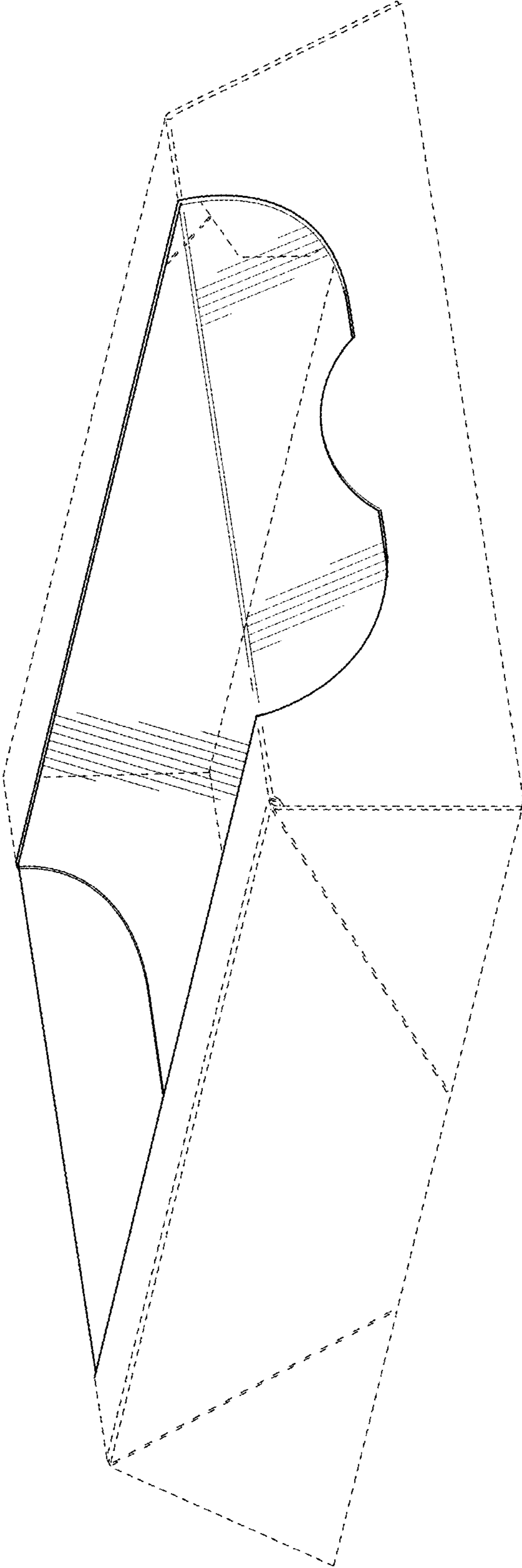


FIG. 1



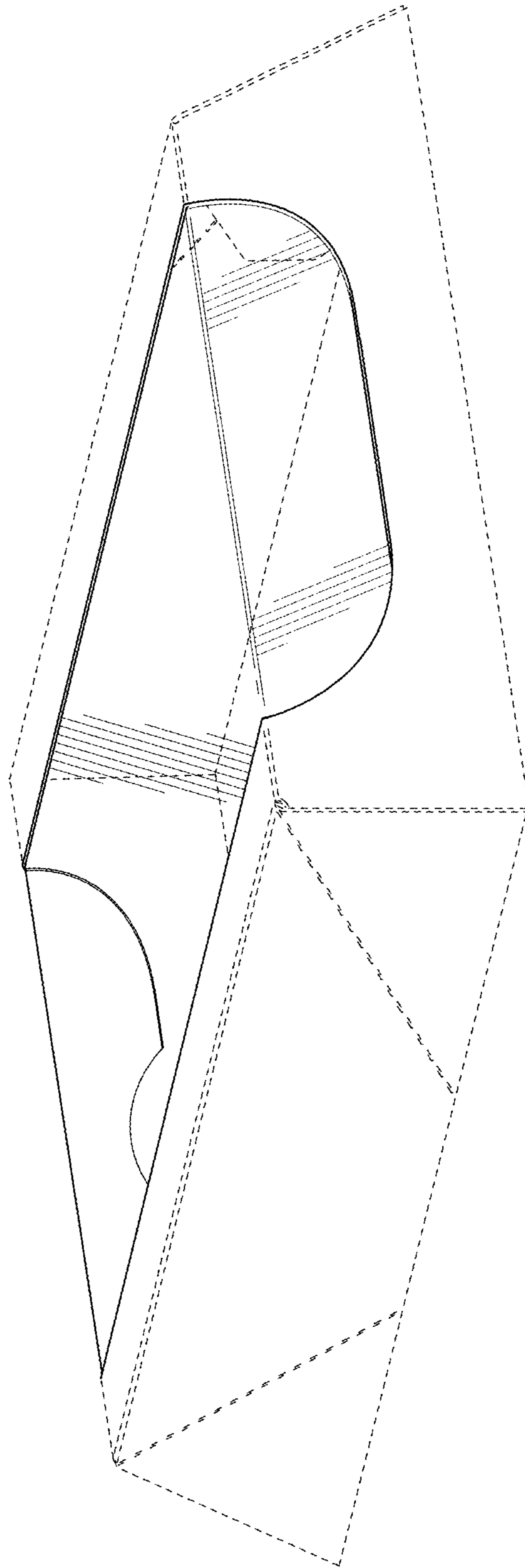
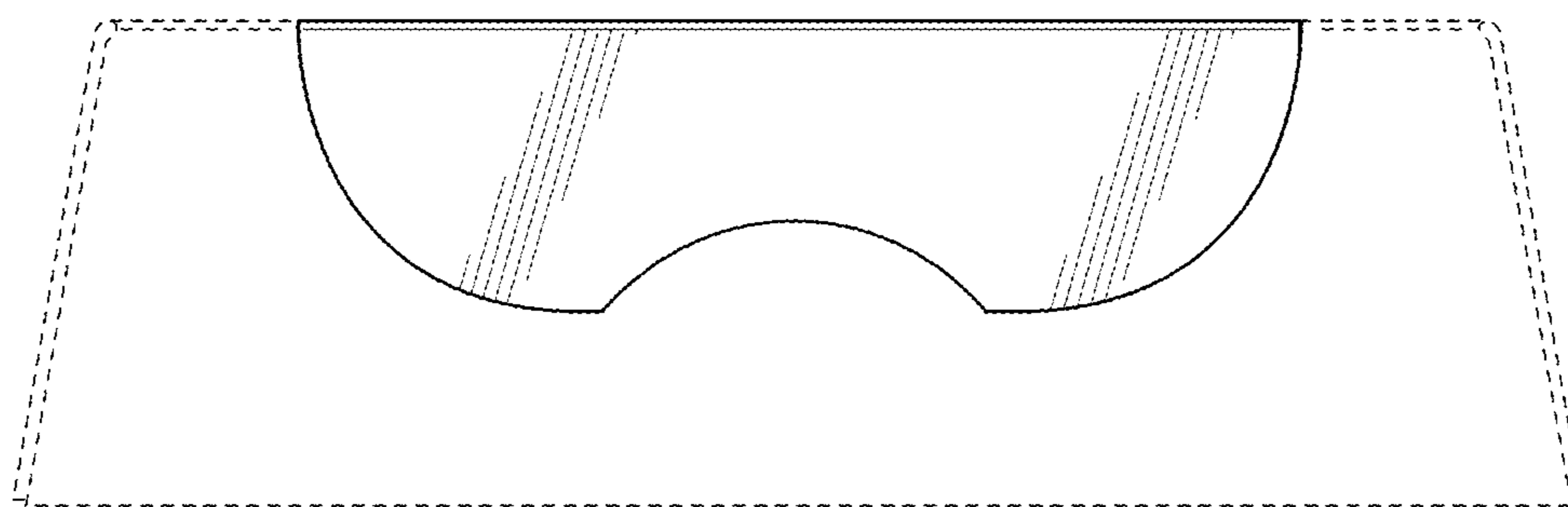
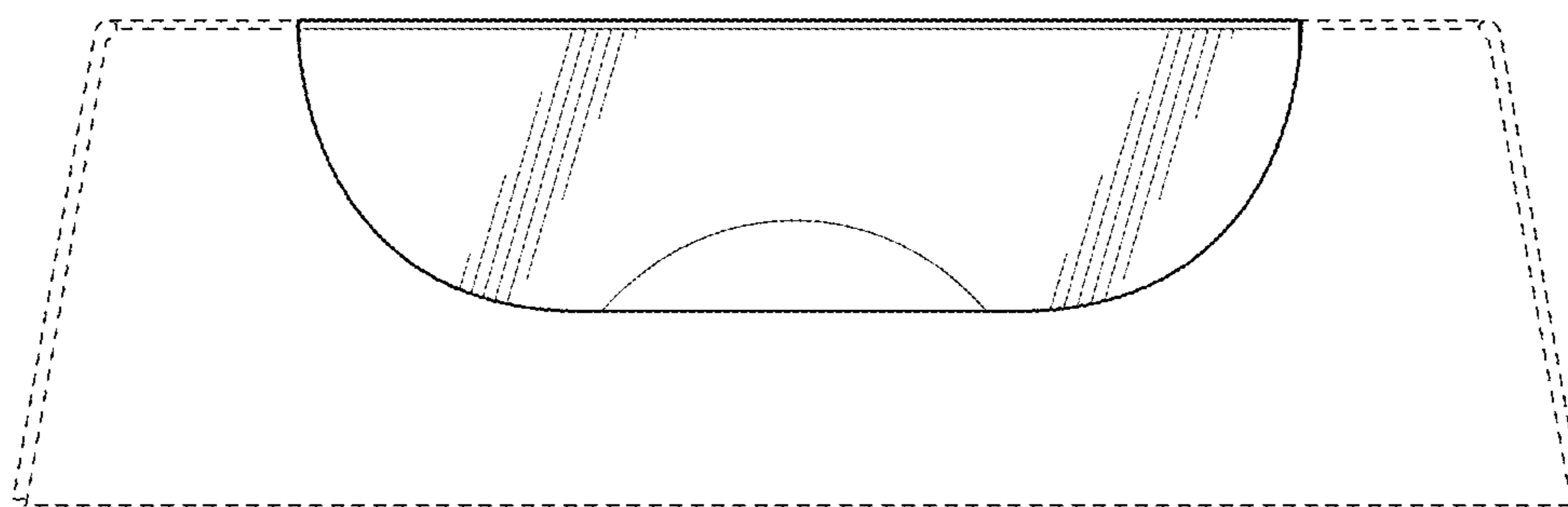


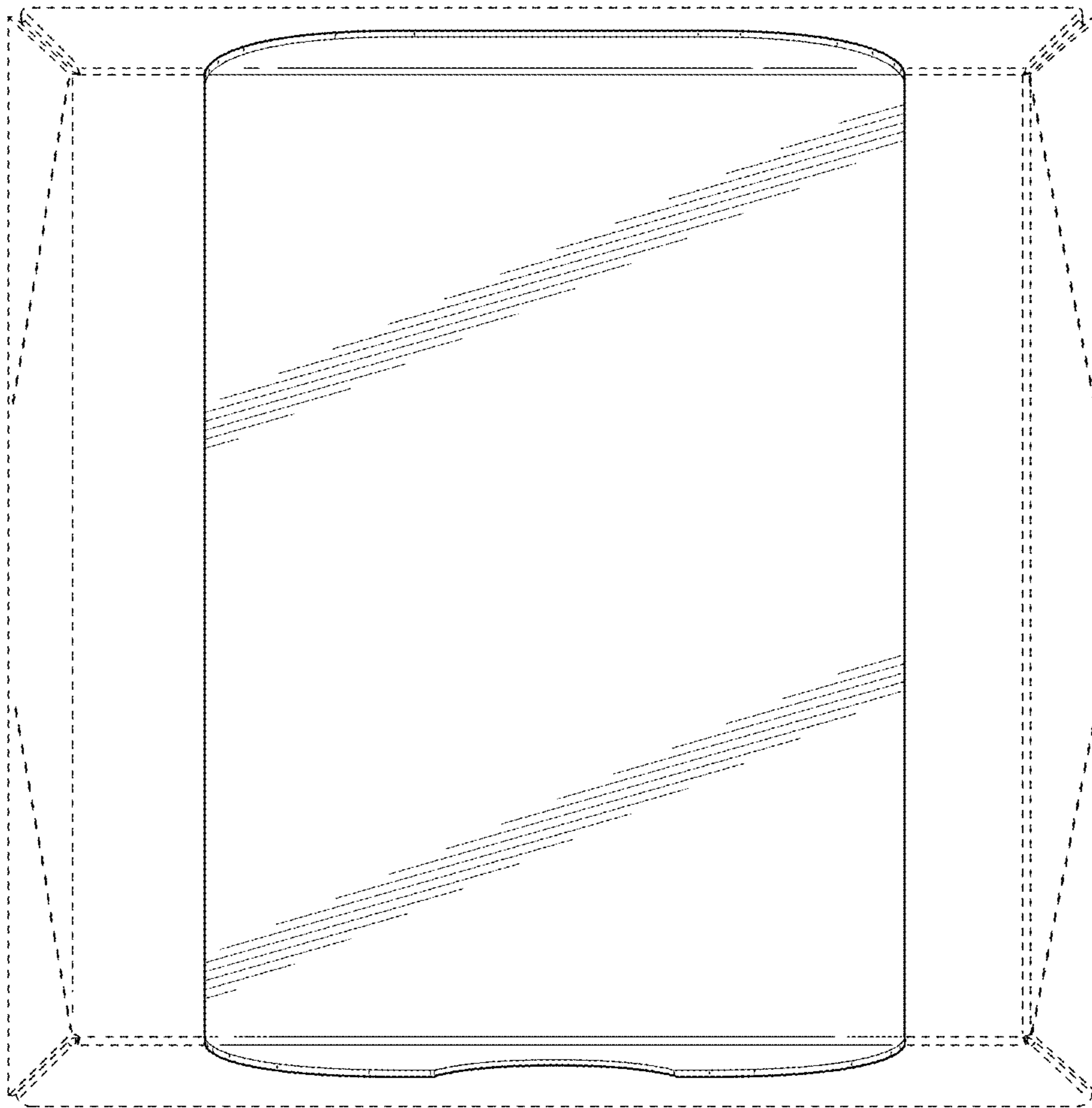
FIG. 2



**FIG. 3**



**FIG. 4**



**FIG. 5**

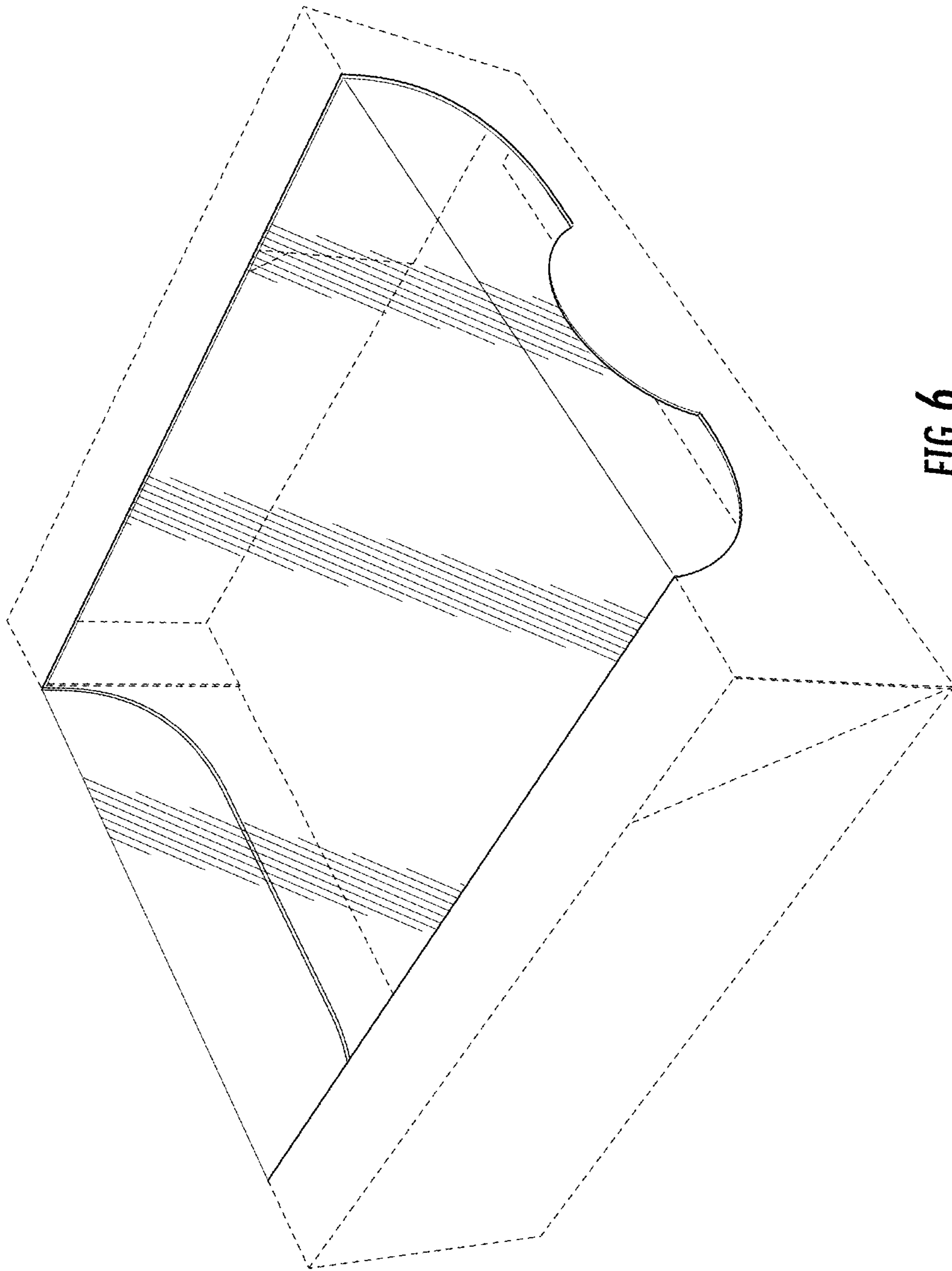


FIG. 6



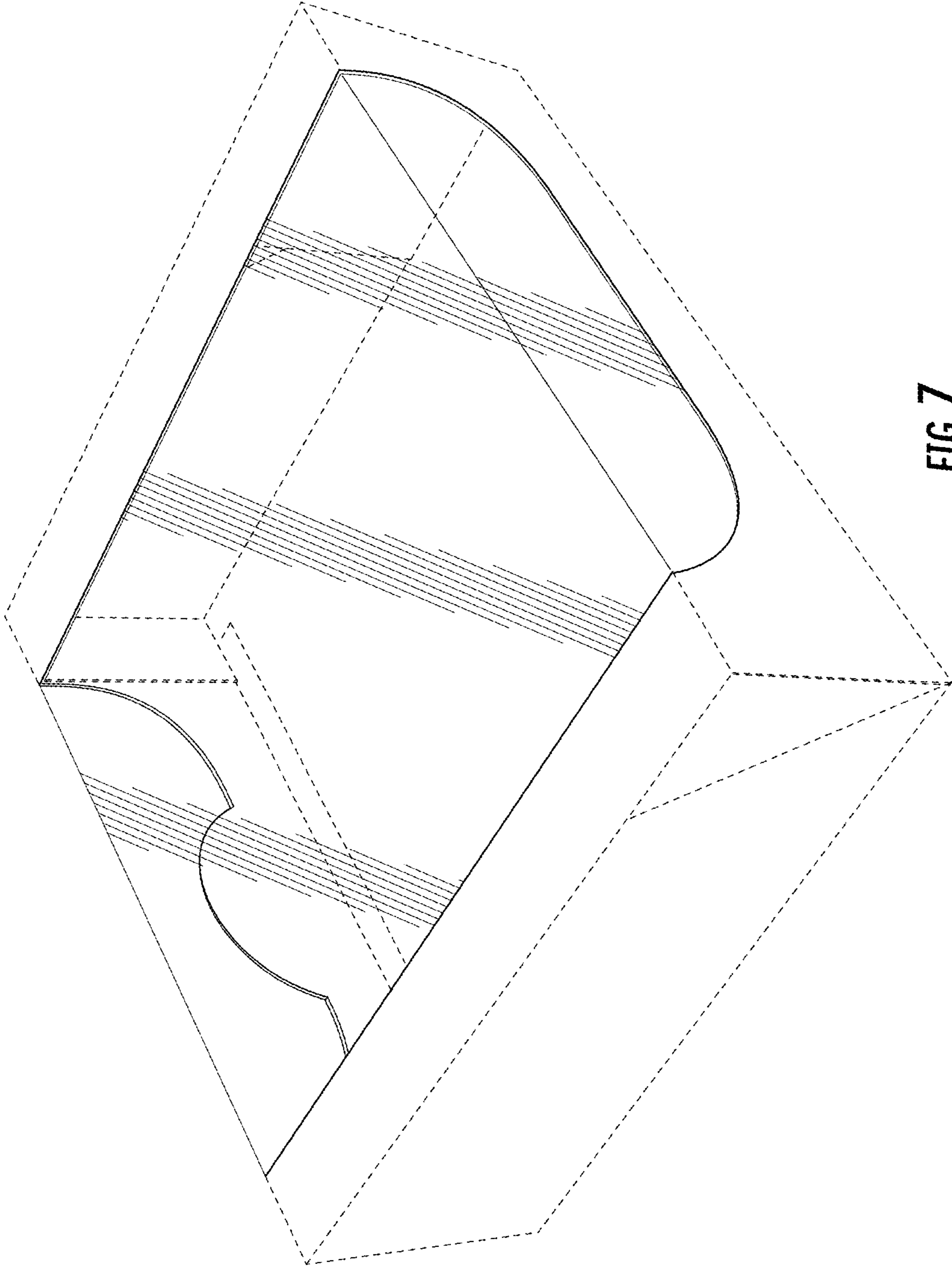
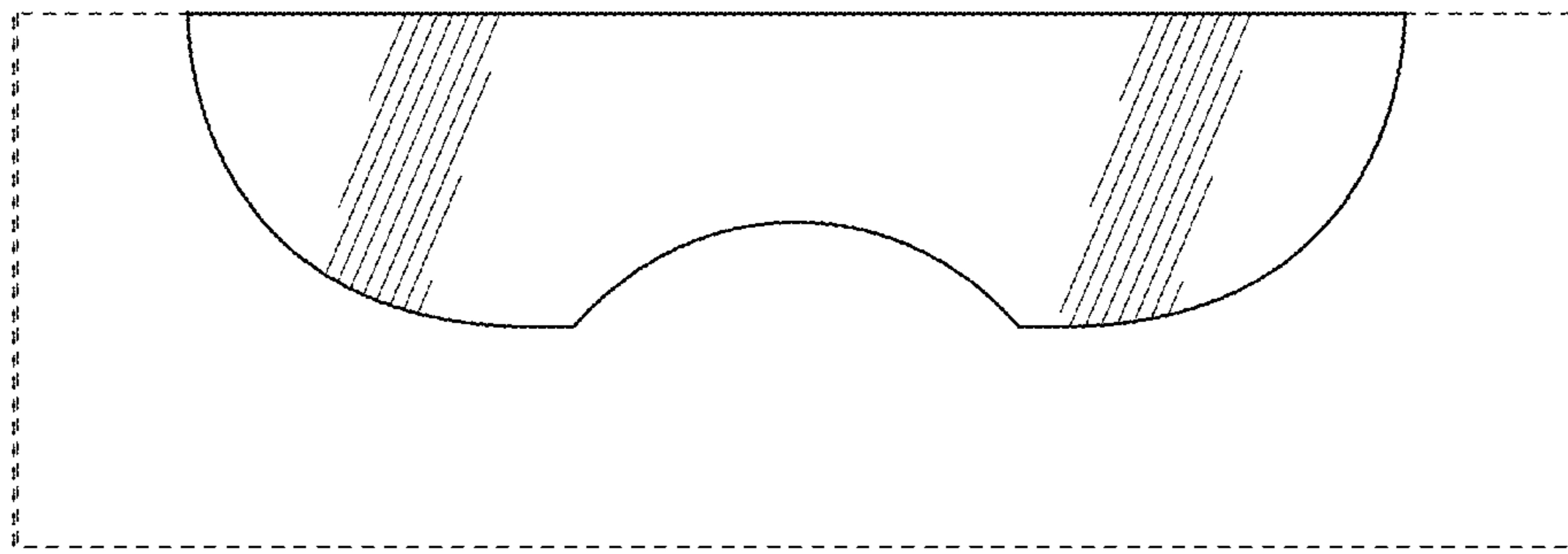
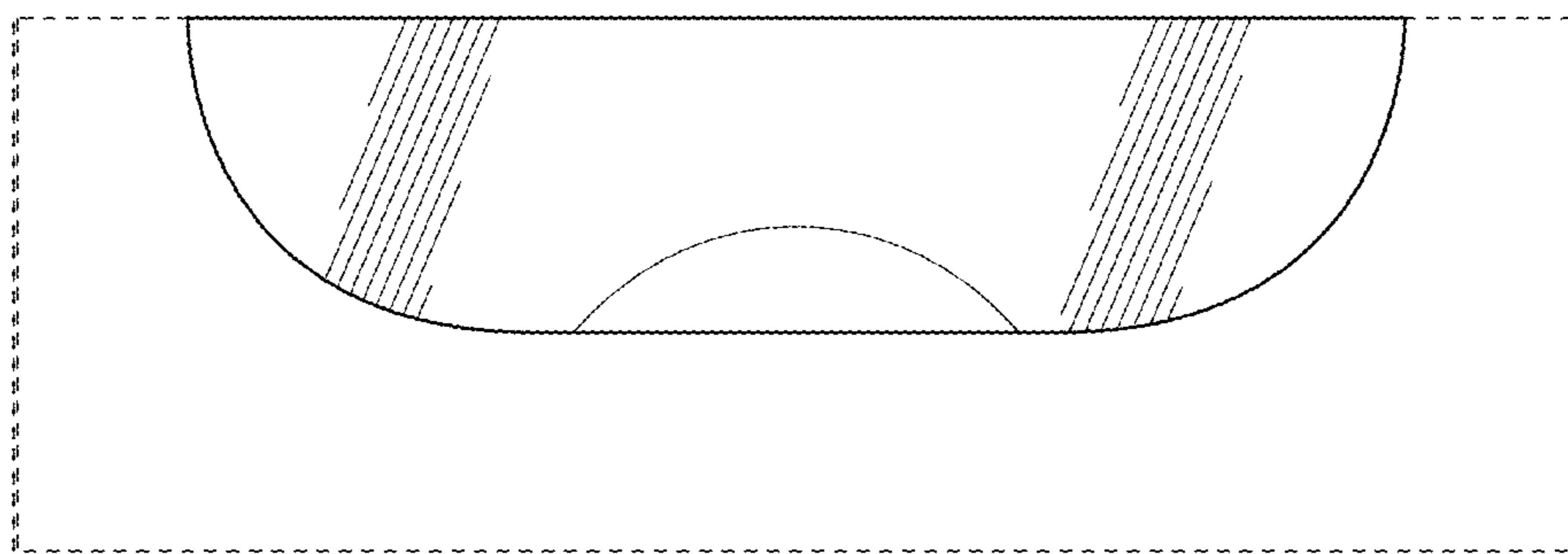


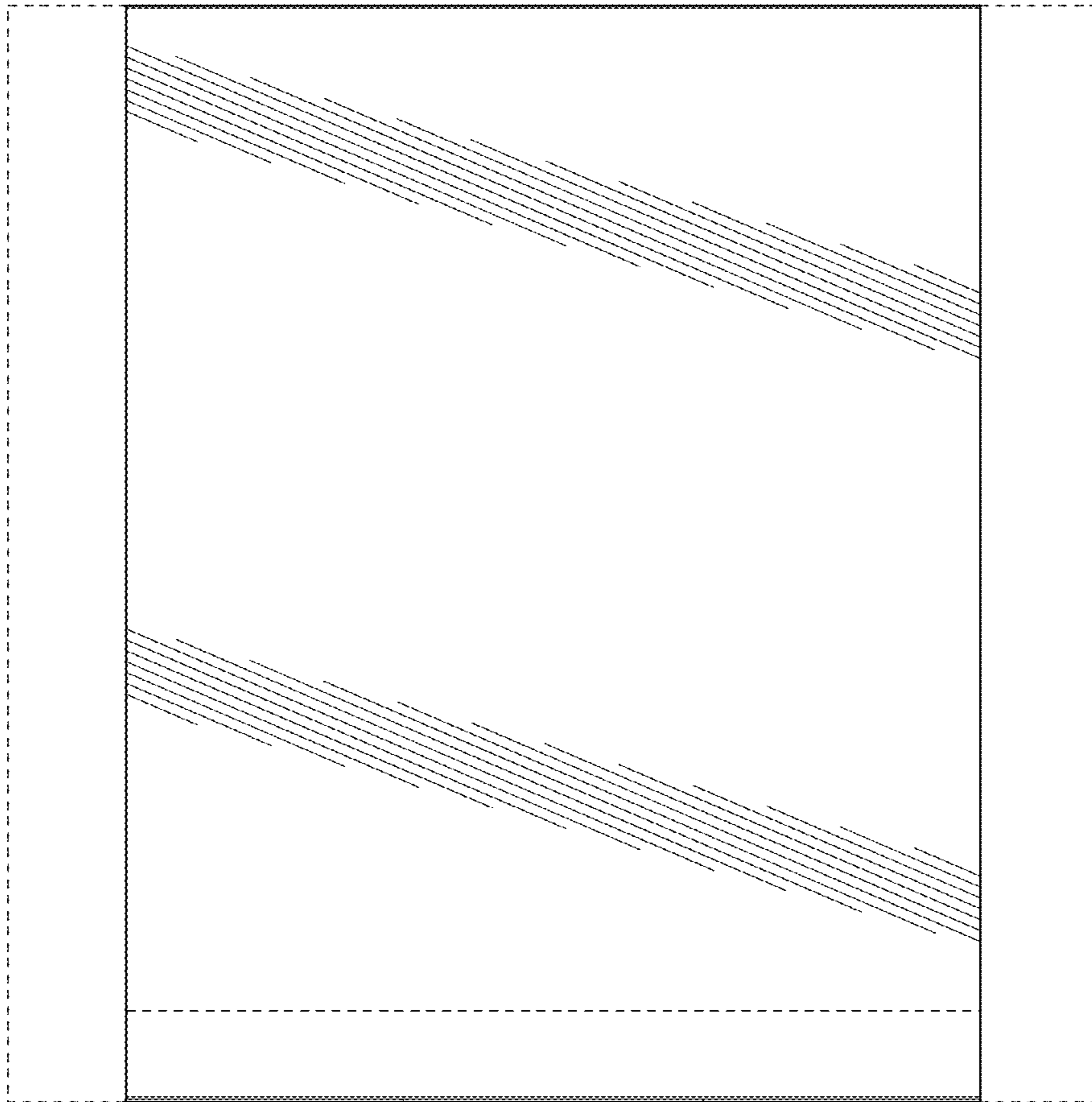
FIG. 7



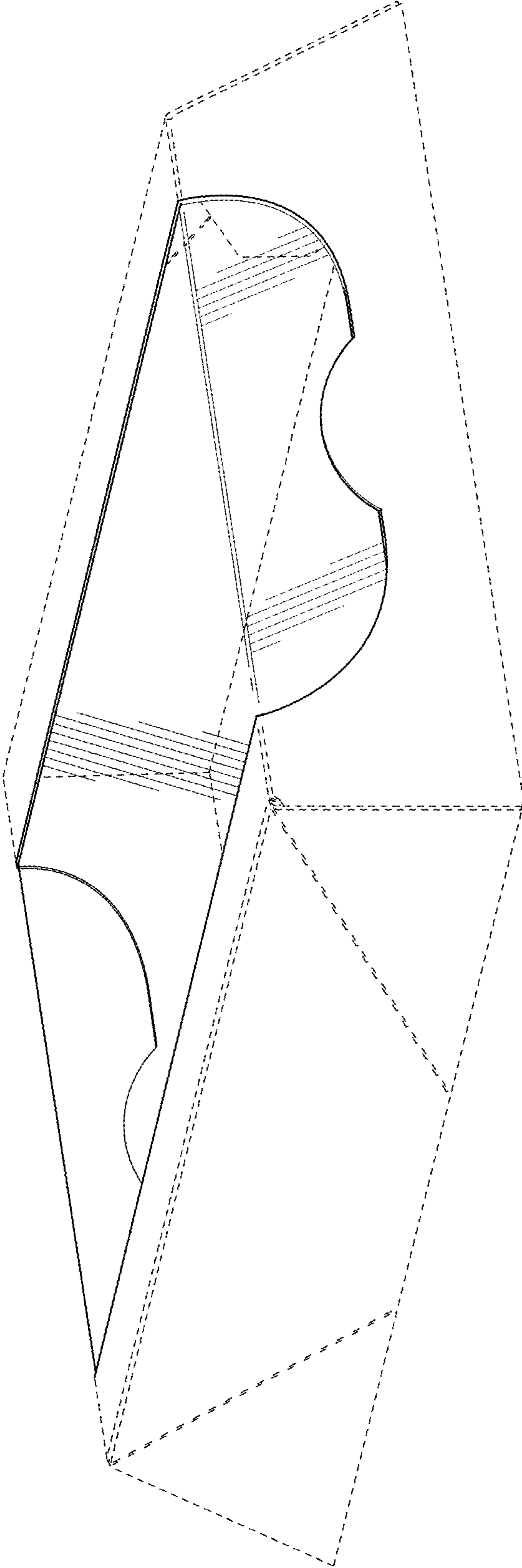
**FIG. 8**



**FIG. 9**

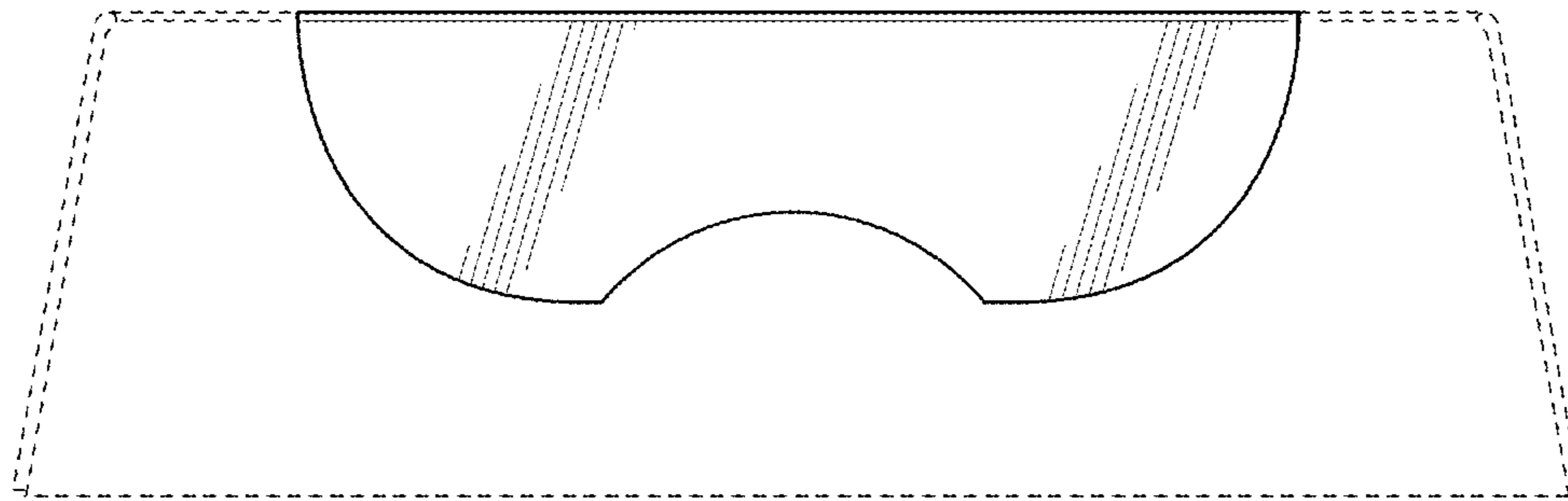


**FIG. 10**

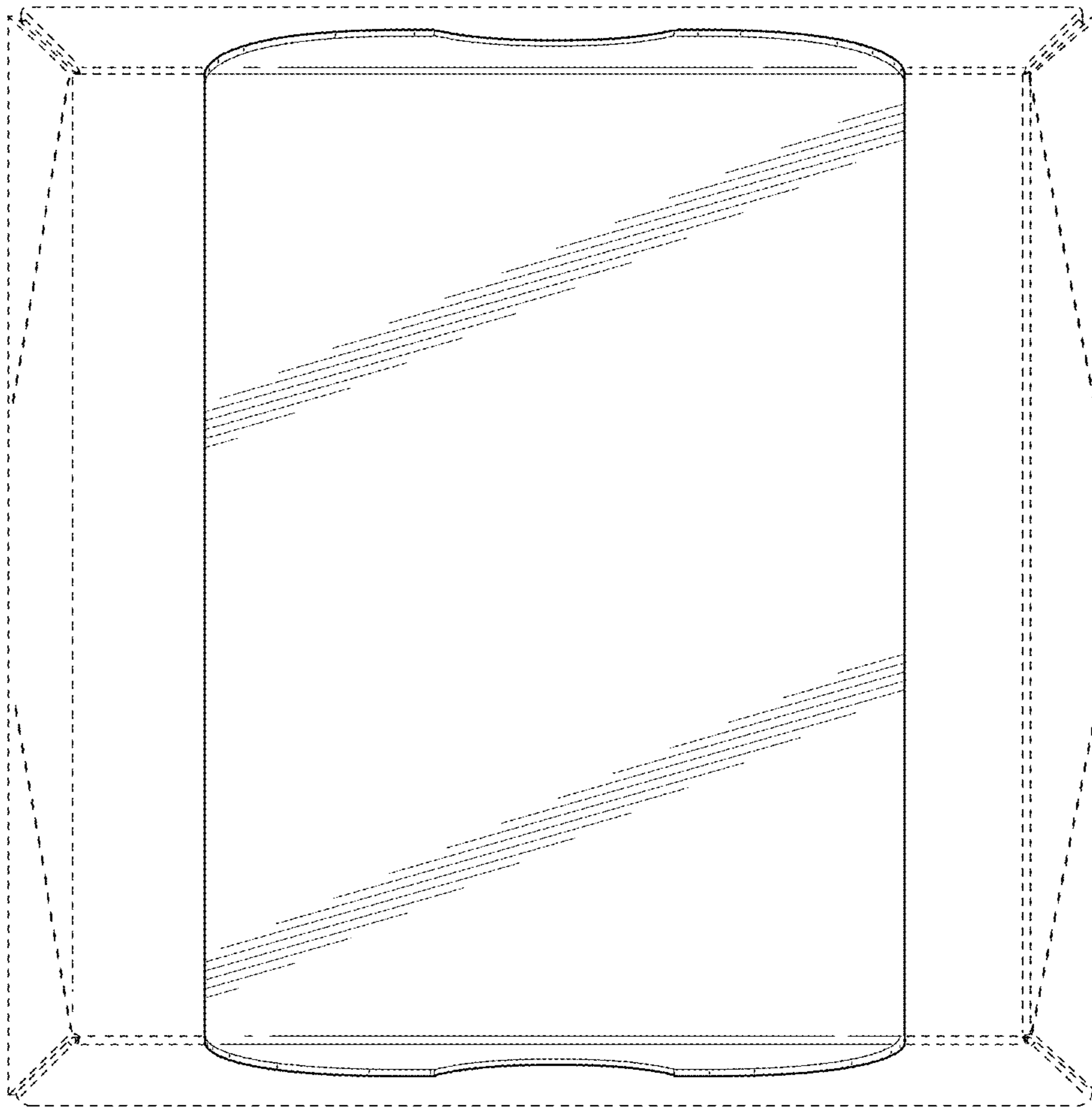


**FIG. 11**

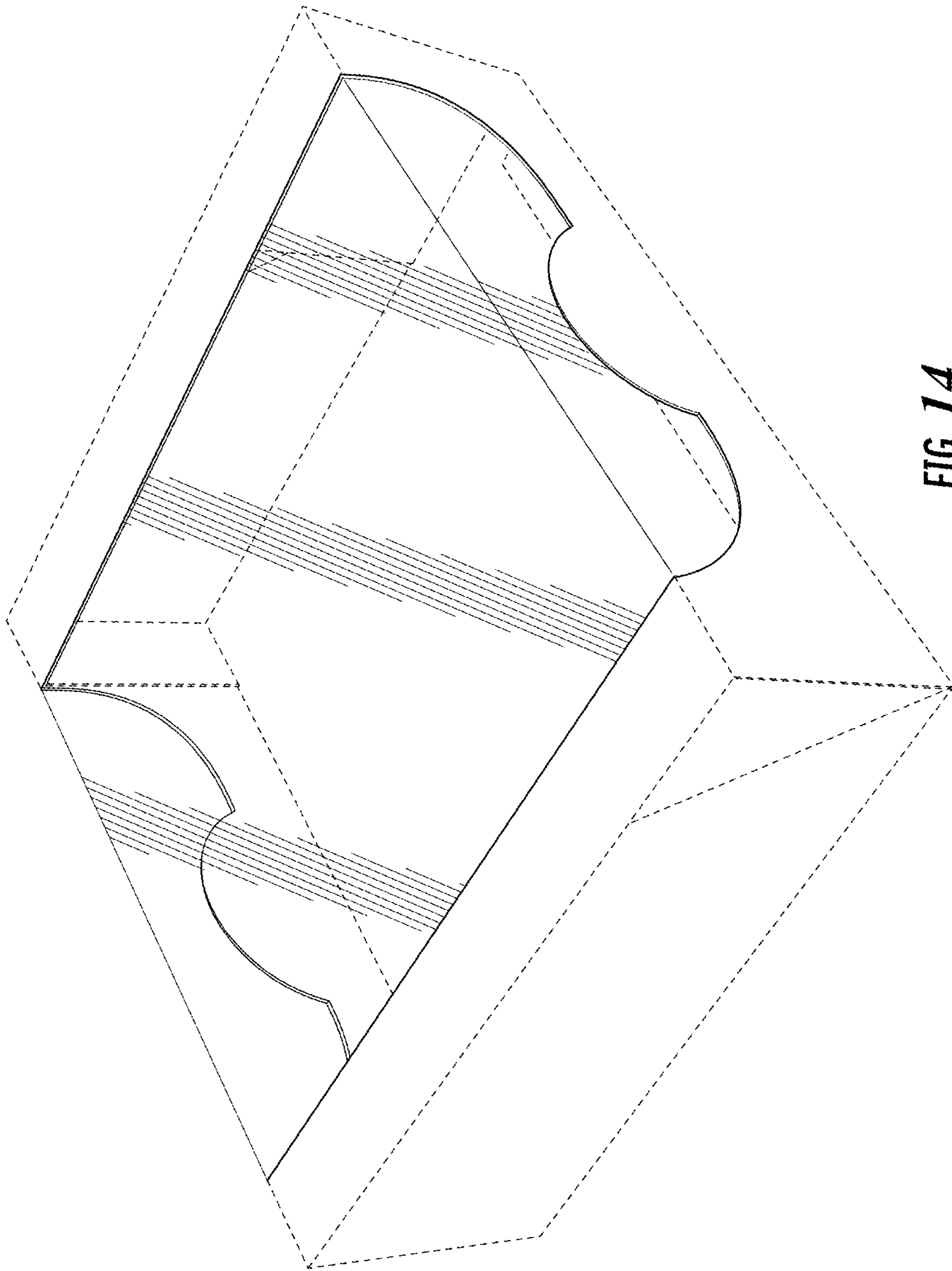




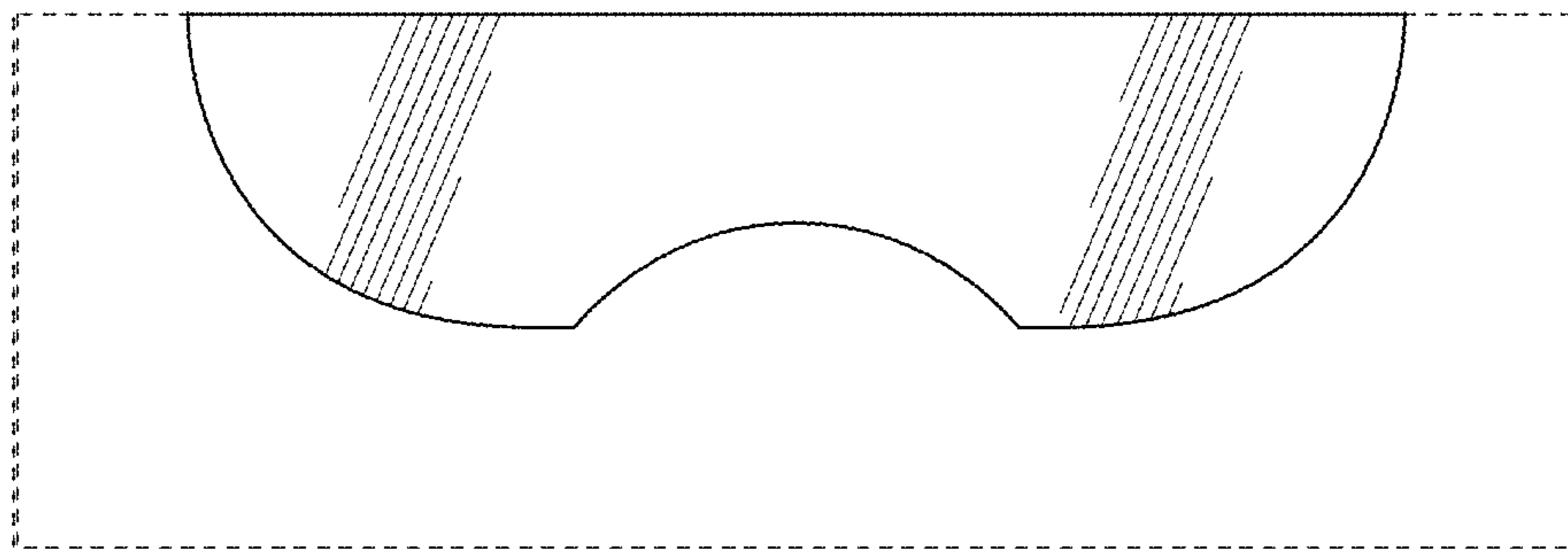
**FIG. 12**



**FIG. 13**

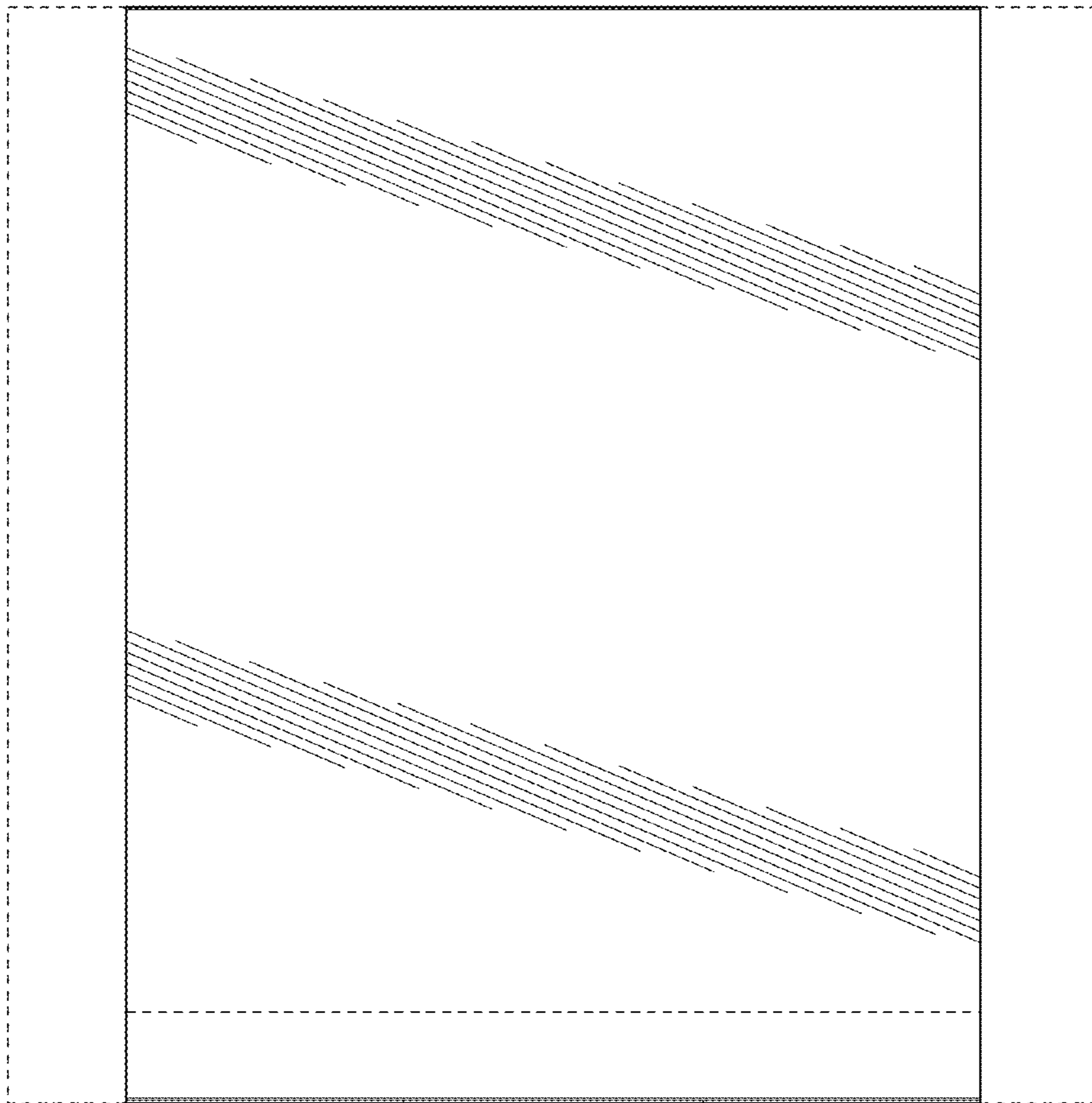


**FIG. 14**



**FIG. 15**





**FIG. 16**