



US00D879603S

(12) **United States Design Patent** (10) **Patent No.:** **US D879,603 S**
Sill et al. (45) **Date of Patent:** **** Mar. 31, 2020**

(54) **CLOSEABLE CONTAINER**
(71) Applicant: **Inno-Pak, LLC**, Delaware, OH (US)
(72) Inventors: **Jonathan D. Sill**, Delaware, OH (US);
Steven A. Mayer, Indianapolis, IN (US)
(73) Assignee: **Inno-Pak, LLC**, Delaware, OH (US)

D365,755 S 1/1996 Kanfer et al.
5,505,372 A 4/1996 Edson
D372,401 S 8/1996 Lillelund et al.
D401,147 S 11/1998 Miller
D415,960 S 11/1999 Majdanski et al.
5,992,733 A 11/1999 Gomes
6,227,367 B1 5/2001 Harrelson
D464,878 S 10/2002 Thompson
(Continued)

(**) Term: **15 Years**
(21) Appl. No.: **29/615,120**
(22) Filed: **Aug. 25, 2017**

Related U.S. Application Data

(62) Division of application No. 29/573,602, filed on Aug. 8, 2016, now Pat. No. Des. 799,317, which is a division of application No. 29/545,314, filed on Nov. 11, 2015, now Pat. No. Des. 776,522.
(51) **LOC (12) Cl.** **09-03**
(52) **U.S. Cl.**
USPC **D9/418**
(58) **Field of Classification Search**
USPC D9/414-419, 499, 431, 432, 422, 421;
D19/91; D7/538
CPC B65D 5/4204
See application file for complete search history.

(56) **References Cited**

U.S. PATENT DOCUMENTS

D259,253 S 5/1981 Nelson
D291,065 S 7/1987 Pugh
D295,958 S 5/1988 Pugh
4,911,298 A 3/1990 Miyagawa
D309,262 S 7/1990 Coiner
5,114,002 A 5/1992 Warner
D332,347 S 1/1993 Raadt
D332,744 S 1/1993 McCooey
D333,781 S 3/1993 Kobel

OTHER PUBLICATIONS

Notice of Allowance dated Apr. 18, 2016 from U.S. Appl. No. 29/527,085.
Office Action dated Feb. 1, 2016 from U.S. Appl. No. 29/516,707.

Primary Examiner — Rhea Shields

(74) *Attorney, Agent, or Firm* — Ward and Smith, P.A.;
Ryan K. Simmons

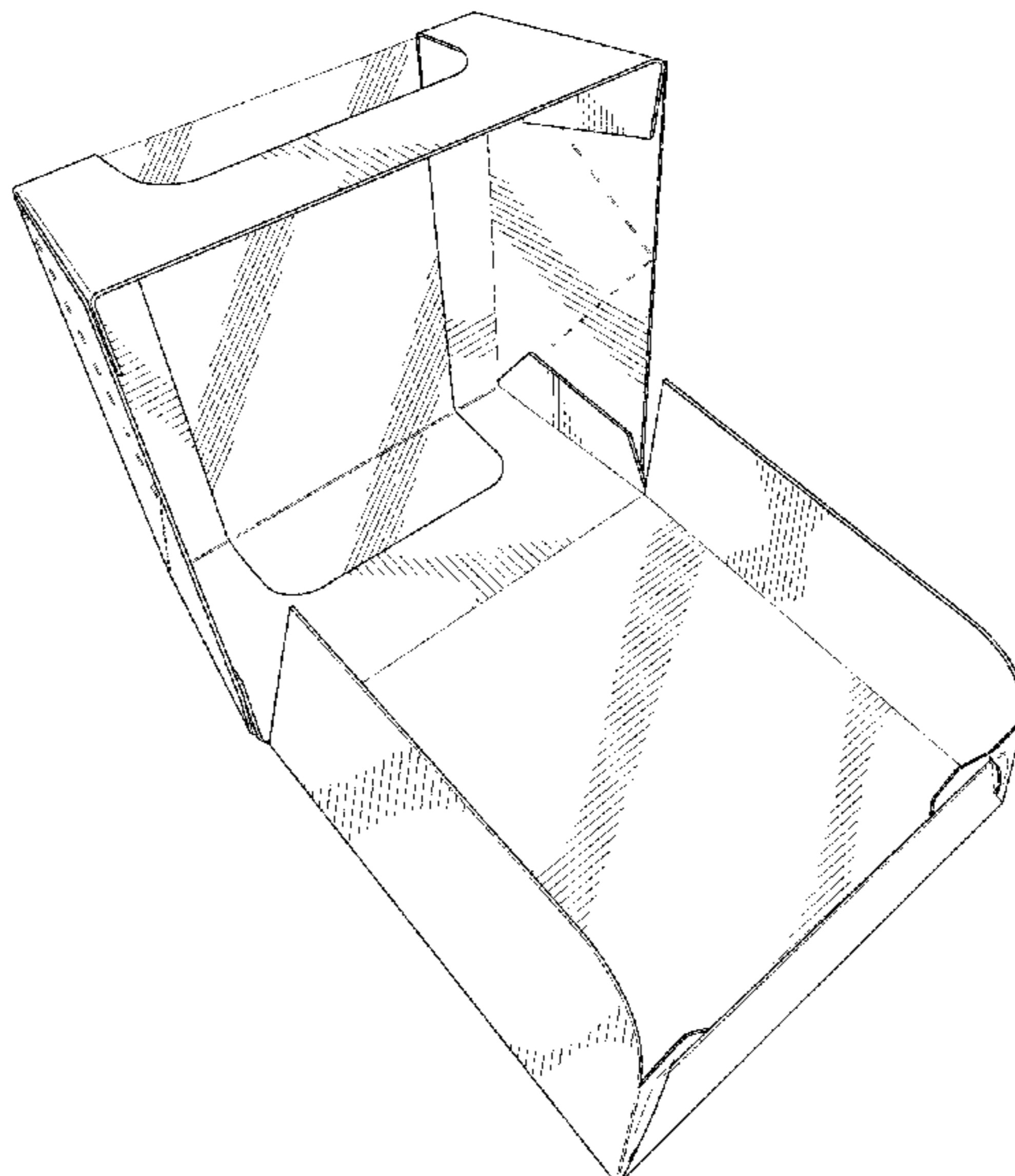
(57) **CLAIM**

The ornamental design for a closeable container, as shown and described.

DESCRIPTION

FIG. 1 is perspective view of a closeable container showing our new design;
FIG. 2 is a front elevation view thereof, the rear being a mirror image;
FIG. 3 is a right side elevation view thereof, the left side being a mirror image;
FIG. 4 is a top plan view thereof;
FIG. 5 is a bottom plan view thereof;
FIG. 6 is a plan view of the closeable container showing the closeable container in a blank configuration; and,
FIG. 7 is another perspective view of the closeable container showing the closeable container in an open configuration.
In the Figures, the dash-dash broken lines are for the purpose of illustrating perforations and form part of the claimed design.

1 Claim, 6 Drawing Sheets



(56)

References Cited

U.S. PATENT DOCUMENTS

D469,349 S *	1/2003	Meeker	D9/418	D746,673 S	1/2016	Sanfilippo	
D469,692 S *	2/2003	Meeker	D9/431	D746,700 S	1/2016	Boehnen et al.	
D485,172 S	1/2004	Defino		D753,919 S	4/2016	Parker	
D519,366 S	4/2006	Epstein		D760,598 S	7/2016	White	
D536,245 S	2/2007	Bruun		D762,113 S	7/2016	Mayer	
D536,612 S *	2/2007	Geurts	D9/432	D766,108 S	9/2016	Brown	
D578,883 S	10/2008	Kisch		D774,891 S	12/2016	Mayer	
D580,751 S	11/2008	Blick		D774,893 S	12/2016	Mayer	
D587,998 S	3/2009	Kaisanlahti		D774,895 S *	12/2016	Mayer	D9/418
D593,211 S	5/2009	Dewitt		D774,896 S	12/2016	Mayer	
D595,104 S	6/2009	Goodrich		D774,897 S	12/2016	Mayer	
D602,353 S	10/2009	Anderson et al.		D774,898 S	12/2016	Mayer	
D607,987 S	1/2010	Paxton		D776,522 S	1/2017	Mayer	
D617,636 S	6/2010	Vanhoutte		D786,663 S	5/2017	Mayer	
D618,543 S	6/2010	Polaski		D787,313 S *	5/2017	Mayer	D9/418
7,780,004 B2	8/2010	Carlozzi		D787,314 S *	5/2017	Sill	D9/418
D623,939 S	9/2010	Tearle		D787,315 S *	5/2017	Sill	D9/418
D626,831 S *	11/2010	Nicholas	D9/432	D787,316 S *	5/2017	Sill	D9/418
D636,662 S	4/2011	Ignacio et al.		D787,929 S	5/2017	Sill	
D637,078 S	5/2011	Peng		D787,933 S	5/2017	Sill	
D638,702 S	5/2011	Lowery		D789,783 S	6/2017	DeBusk	
D644,099 S	8/2011	Martinez Rodriguez		D799,317 S	10/2017	Sill	
D644,508 S	9/2011	Martinez Rodriguez		D799,955 S	10/2017	Sill	
D646,964 S	10/2011	Ampadu		D800,546 S	10/2017	Sill	
D647,398 S	10/2011	Winkler		D800,547 S *	10/2017	Sill	D9/418
D649,067 S *	11/2011	Birdwell	D9/418	D800,548 S	10/2017	Sill	
D649,886 S	12/2011	Ocampo		D804,298 S *	12/2017	Demmink	D9/418
D651,074 S	12/2011	Lacey		D816,479 S *	5/2018	Sill	D9/418
D655,153 S	3/2012	Mitten		D816,480 S *	5/2018	Sill	D9/418
D668,540 S	10/2012	Lutzig		D816,481 S	5/2018	Sill	
D675,092 S	1/2013	Sill		D822,480 S	7/2018	Rivera	
8,356,743 B2	1/2013	Spivey, Sr.		D829,095 S	9/2018	McKenna	
D675,920 S	2/2013	Sill		D840,219 S	2/2019	McKenna	
8,376,214 B2	2/2013	Spivey, Sr.		D840,807 S	2/2019	Ross	
D678,779 S *	3/2013	Lee	D9/418	D842,098 S	3/2019	Ross	
D679,950 S *	4/2013	Cooper	D7/538	D846,378 S *	4/2019	Sill	D9/418
D681,444 S	5/2013	Oja et al.		D846,379 S *	4/2019	Sill	D9/418
D685,633 S	7/2013	Thomas		D846,981 S *	4/2019	Sill	D9/418
D688,568 S	8/2013	Noel		D846,982 S *	4/2019	Horne	D9/418
D693,215 S	11/2013	Sill		D847,626 S *	5/2019	Sill	D9/418
D693,216 S	11/2013	Sill		D856,794 S	8/2019	Sill et al.	
D693,217 S	11/2013	Sill		D856,795 S	8/2019	Sill et al.	
D693,218 S *	11/2013	Sill	D9/418	D856,796 S	8/2019	Sill et al.	
D695,104 S *	12/2013	Sill	D9/418	D856,797 S	8/2019	Sill et al.	
D696,725 S *	12/2013	Sasken-Duff	D19/91	D865,517 S	11/2019	Gressel et al.	
8,607,987 B2 *	12/2013	Oja	B65D 5/4204 206/776	D867,125 S	11/2019	Sill et al.	
D706,132 S	6/2014	Sill		2009/0236351 A1	9/2009	Chu et al.	
D708,511 S	7/2014	Green		2010/0059579 A1	3/2010	House	
D712,275 S	9/2014	Irek		2013/0220873 A1	8/2013	Holley, Jr.	
D713,716 S	9/2014	Oja et al.		2014/0103100 A1	4/2014	Falcon	
D716,649 S	11/2014	McAdam		2015/0344216 A1	12/2015	Petty et al.	
D717,162 S	11/2014	Baker		2016/0009442 A1	1/2016	Block	
D717,163 S	11/2014	Paulsen		2016/0362220 A1	12/2016	Keams	
D717,645 S	11/2014	Wilmers		2017/0066586 A1	3/2017	Petty	
D719,440 S	12/2014	Matloff		2018/0009585 A1	1/2018	Ramsuer	
D727,732 S *	4/2015	Petty	D9/415	2018/0022500 A1	1/2018	Zhu	
D728,357 S	5/2015	Pierce		2018/0118403 A1	5/2018	Petty	
D729,055 S	5/2015	Lemnios et al.		2018/0127141 A1	5/2018	Brundage	
D729,058 S	5/2015	Ishikawa		2018/0141734 A1	5/2018	Kooc	
D739,228 S	9/2015	Jondal et al.		2018/0297761 A1	10/2018	Alexander	
				2018/0319560 A1	11/2018	Blin	
				2019/0009946 A1	1/2019	Nixon	
				2019/0016501 A1	1/2019	Djokovic	

* cited by examiner

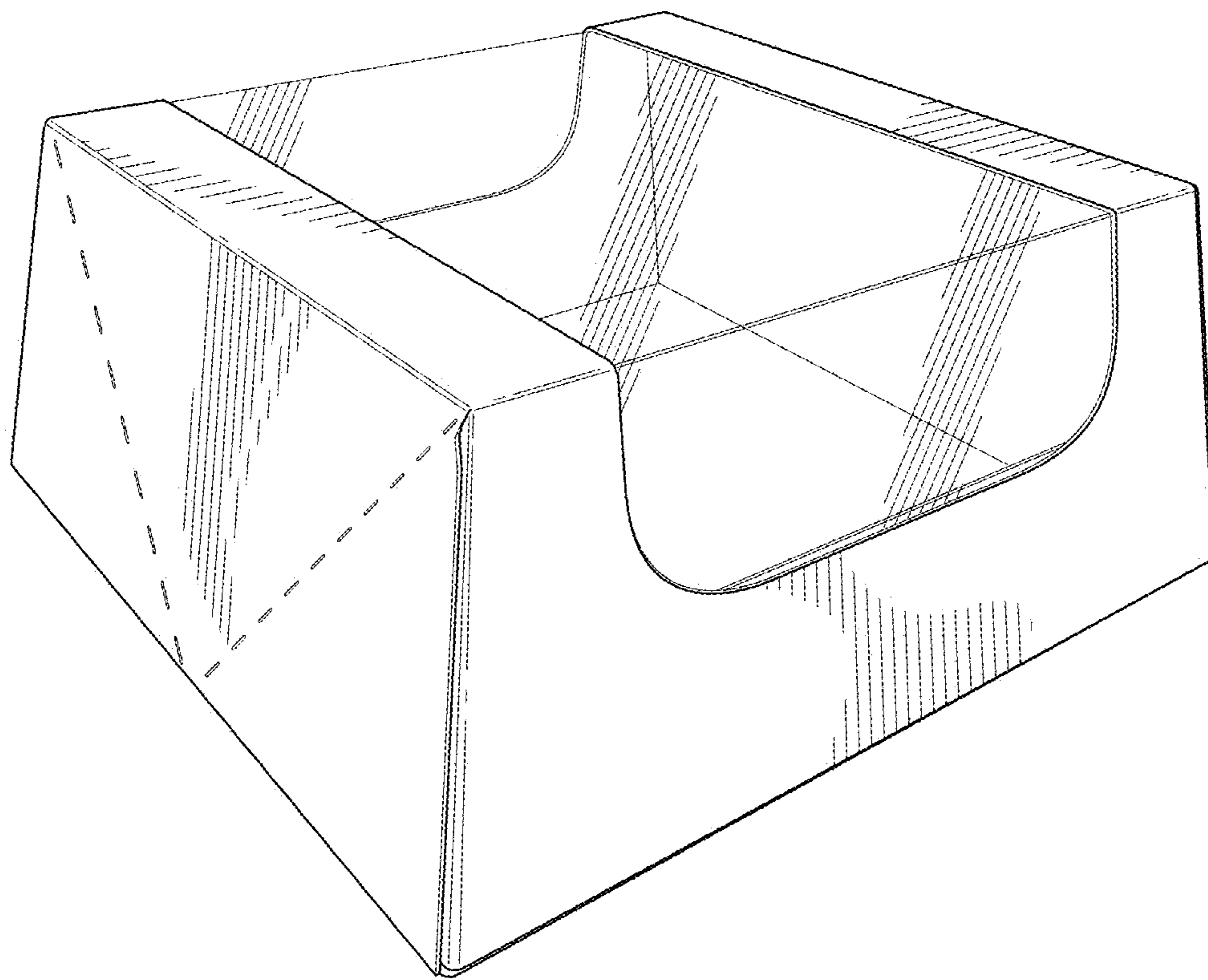


FIG.1

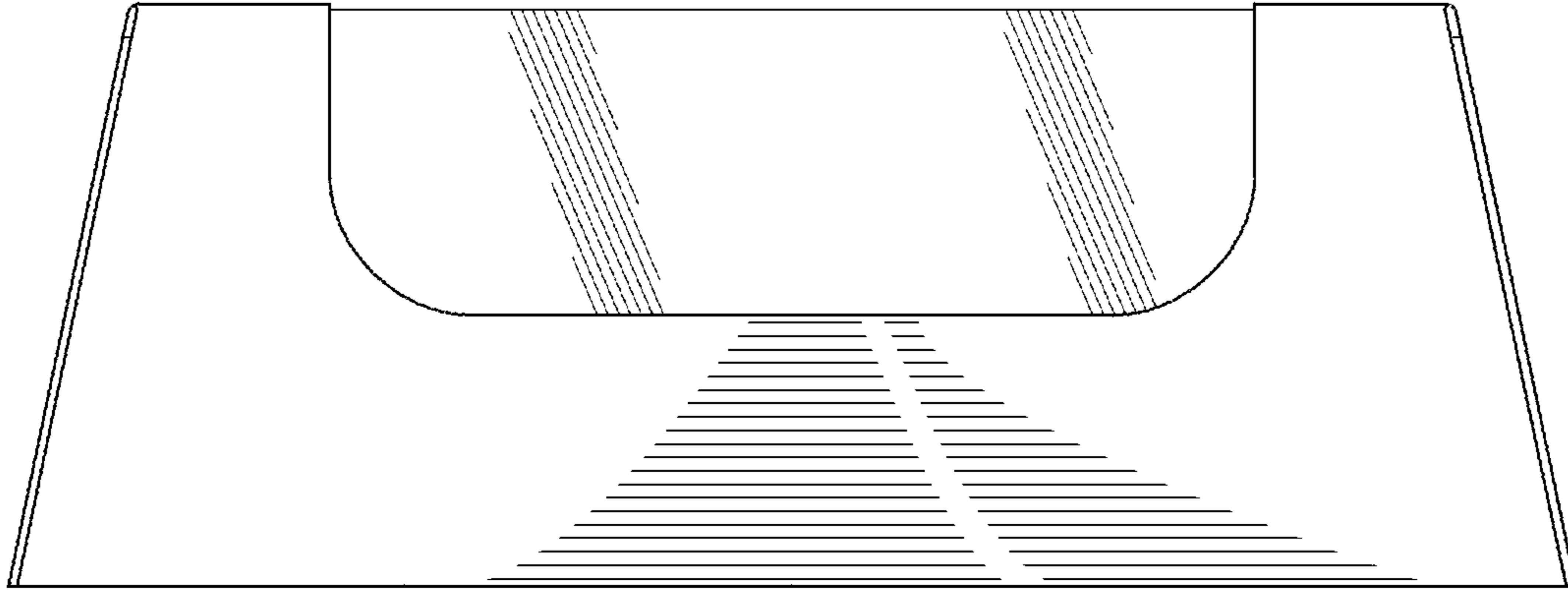


FIG. 2

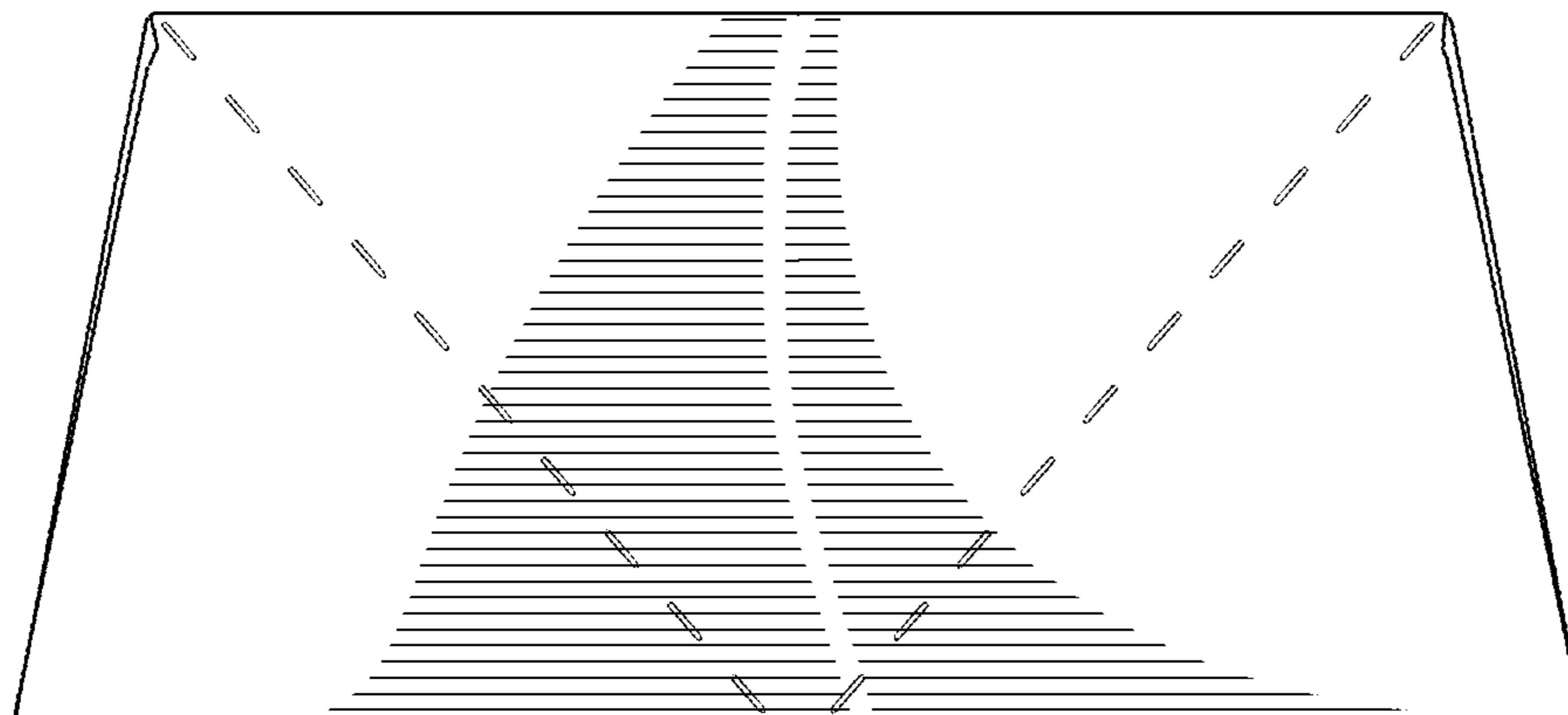


FIG. 3

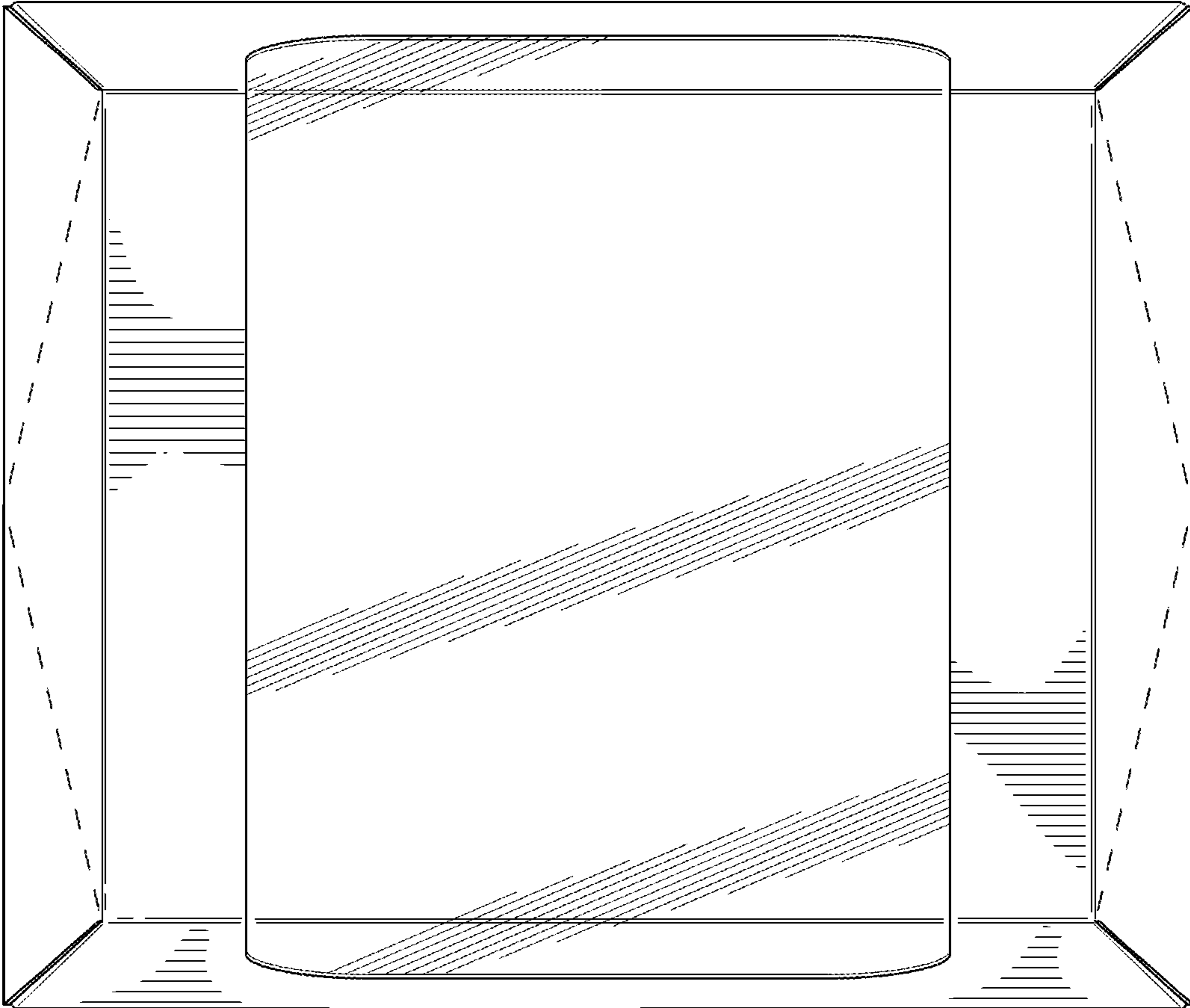


FIG.4

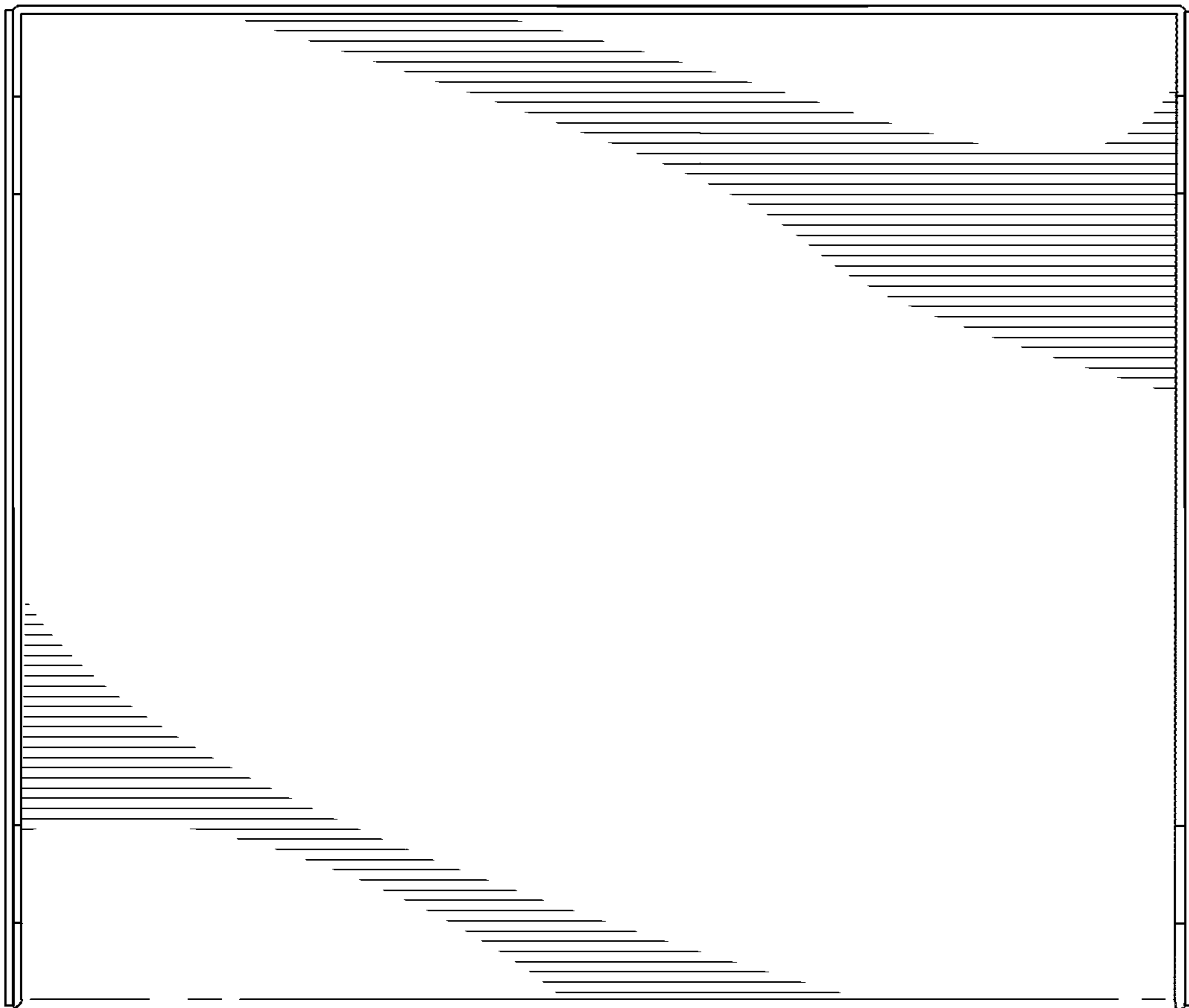


FIG.5

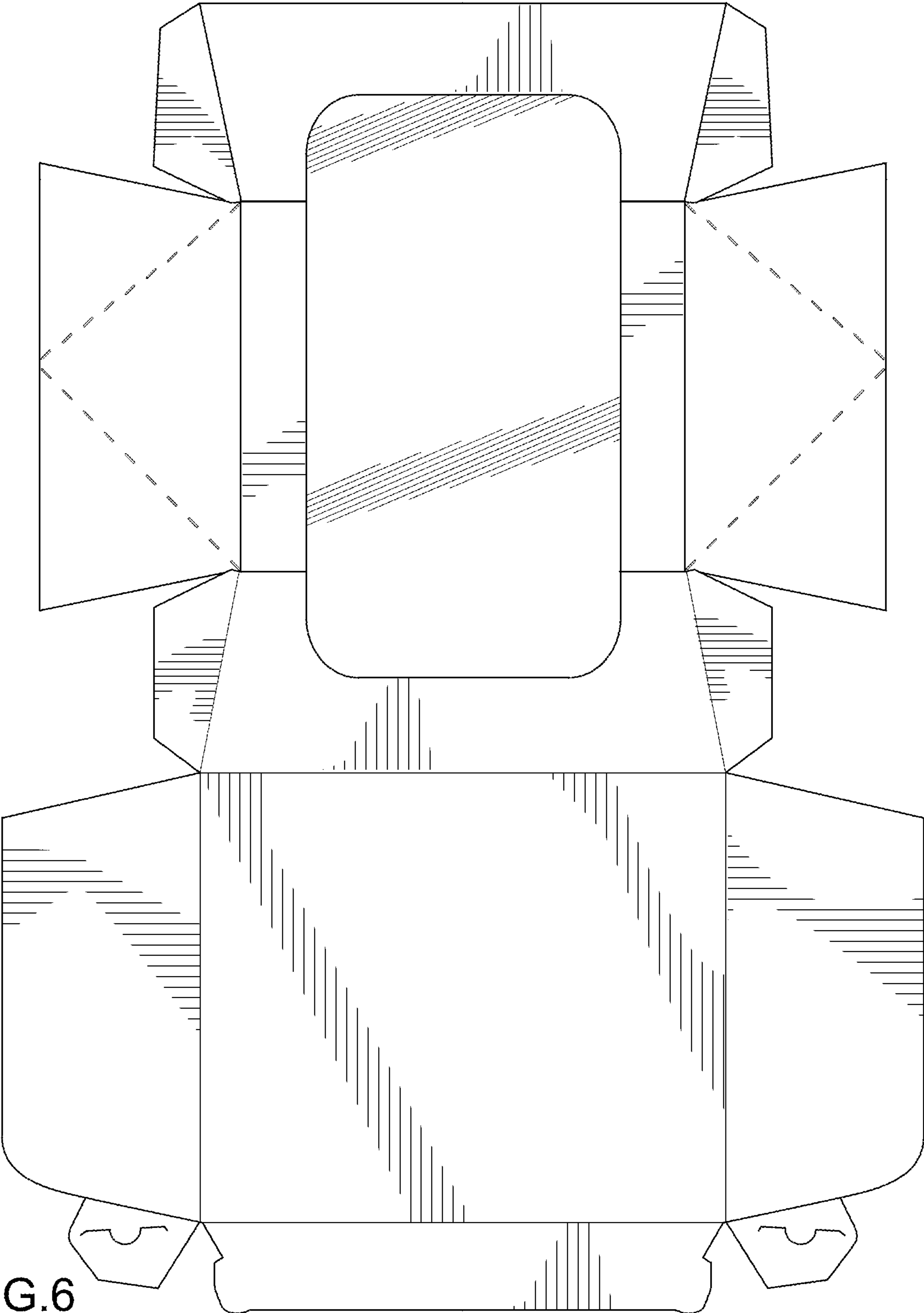


FIG.6

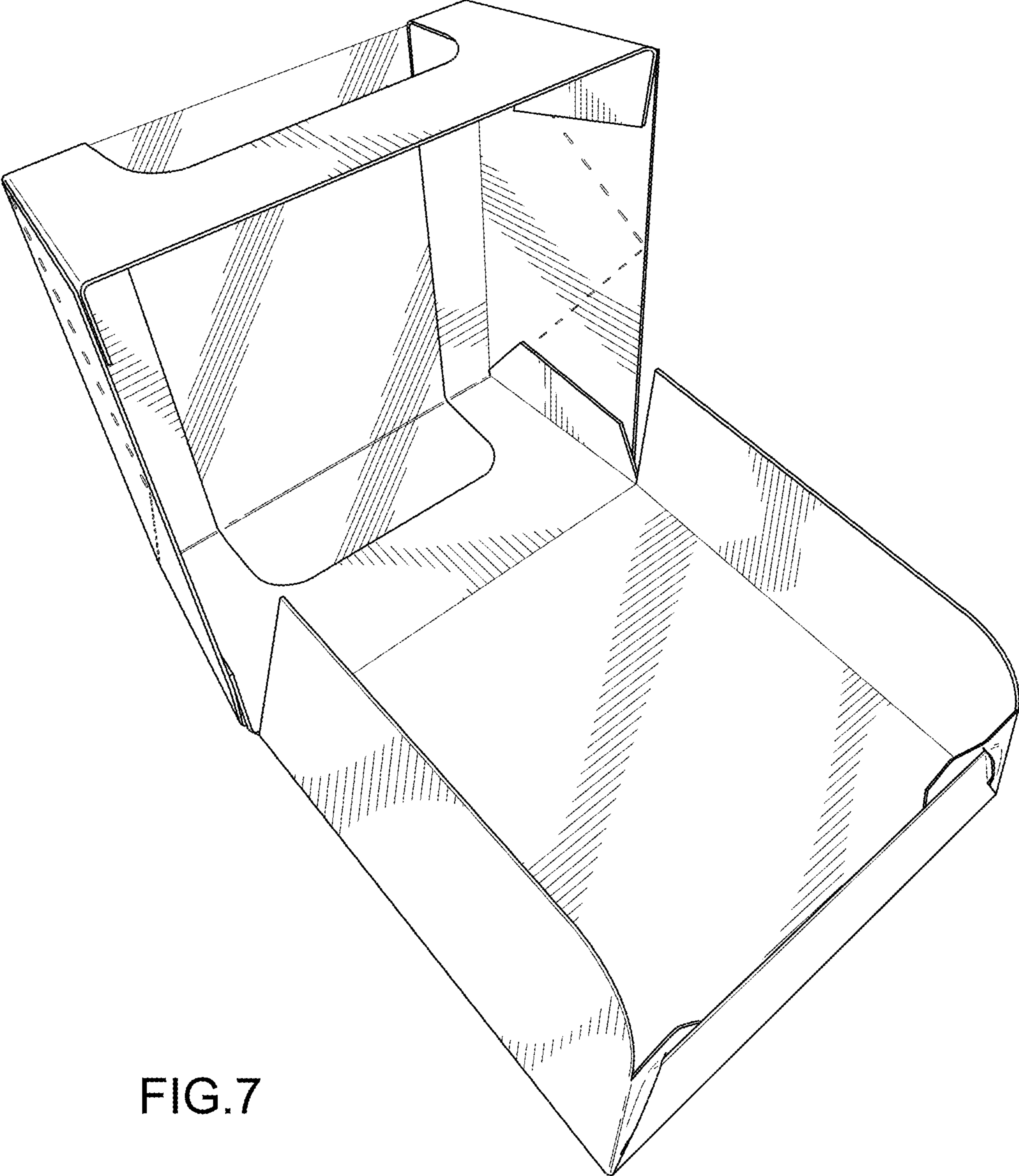


FIG.7