



US00D879598S

(12) **United States Design Patent**  
**Pring**

(10) **Patent No.:** **US D879,598 S**

(45) **Date of Patent:** **\*\* Mar. 31, 2020**

(54) **FASTENER WITH CYLINDRICAL SHANK SECTION**

(71) Applicant: **Glen Haydn Pring**, Helensvale (AU)

(72) Inventor: **Glen Haydn Pring**, Helensvale (AU)

(\*\*) Term: **15 Years**

(21) Appl. No.: **29/642,109**

(22) Filed: **Mar. 27, 2018**

(30) **Foreign Application Priority Data**

Sep. 29, 2017 (AU) ..... 201715991

(51) **LOC (12) Cl.** ..... **08-08**

(52) **U.S. Cl.**  
USPC ..... **D8/387**

(58) **Field of Classification Search**  
USPC ..... D8/385, 387, 388, 391, 392  
CPC .. F16B 23/00; F16B 23/0038; F16B 23/0046;  
F16B 25/00; F16B 25/0015; F16B  
25/0026; F16B 25/0031; F16B 25/0042;  
F16B 25/0084; F16B 25/10; F16B 33/00;  
F16B 33/02; F16B 35/06  
See application file for complete search history.

(56) **References Cited**

U.S. PATENT DOCUMENTS

D10,410 S \* 1/1878 Reed ..... D99/14  
375,206 A \* 12/1887 Shelton ..... F16B 23/003  
411/403  
D35,710 S \* 2/1902 Stickley ..... D8/387  
2,940,495 A \* 6/1960 Wing ..... F16B 31/021  
411/305  
D245,147 S \* 7/1977 Ono ..... D8/387  
D248,824 S \* 8/1978 Imai ..... D8/387  
4,164,971 A \* 8/1979 Strand ..... F16B 33/06  
156/330  
5,056,975 A \* 10/1991 Ando ..... F16B 39/24  
411/155

5,199,152 A \* 4/1993 Wagner ..... F16B 41/002  
29/444  
5,255,647 A \* 10/1993 Kiczek ..... F02F 7/006  
123/195 C  
5,374,146 A \* 12/1994 Allen ..... B21H 3/027  
411/386  
D418,048 S \* 12/1999 Chan ..... D8/387  
D418,743 S \* 1/2000 Hollis ..... D8/387  
D419,431 S \* 1/2000 Hollis ..... D8/387  
D433,621 S \* 11/2000 Wiley ..... D8/387  
6,176,665 B1 \* 1/2001 Bondarowicz ..... F16B 31/02  
411/187  
D584,137 S \* 1/2009 Edge, Jr. .... D8/387  
D605,500 S \* 12/2009 Lee ..... D8/387  
D741,159 S \* 10/2015 Campbell ..... D8/387  
D764,267 S \* 8/2016 Hutter, III ..... D8/387  
D807,736 S \* 1/2018 Adriano ..... D8/387  
9,879,369 B2 \* 1/2018 Timac ..... D06F 37/262  
2006/0120826 A1 \* 6/2006 Wieser ..... F16B 25/0026  
411/387.4

(Continued)

*Primary Examiner* — Sandra S Snapp

*Assistant Examiner* — Ieisha N Price

(74) *Attorney, Agent, or Firm* — Bonini IP Law, LLC;  
Frank J. Bonini, Jr.

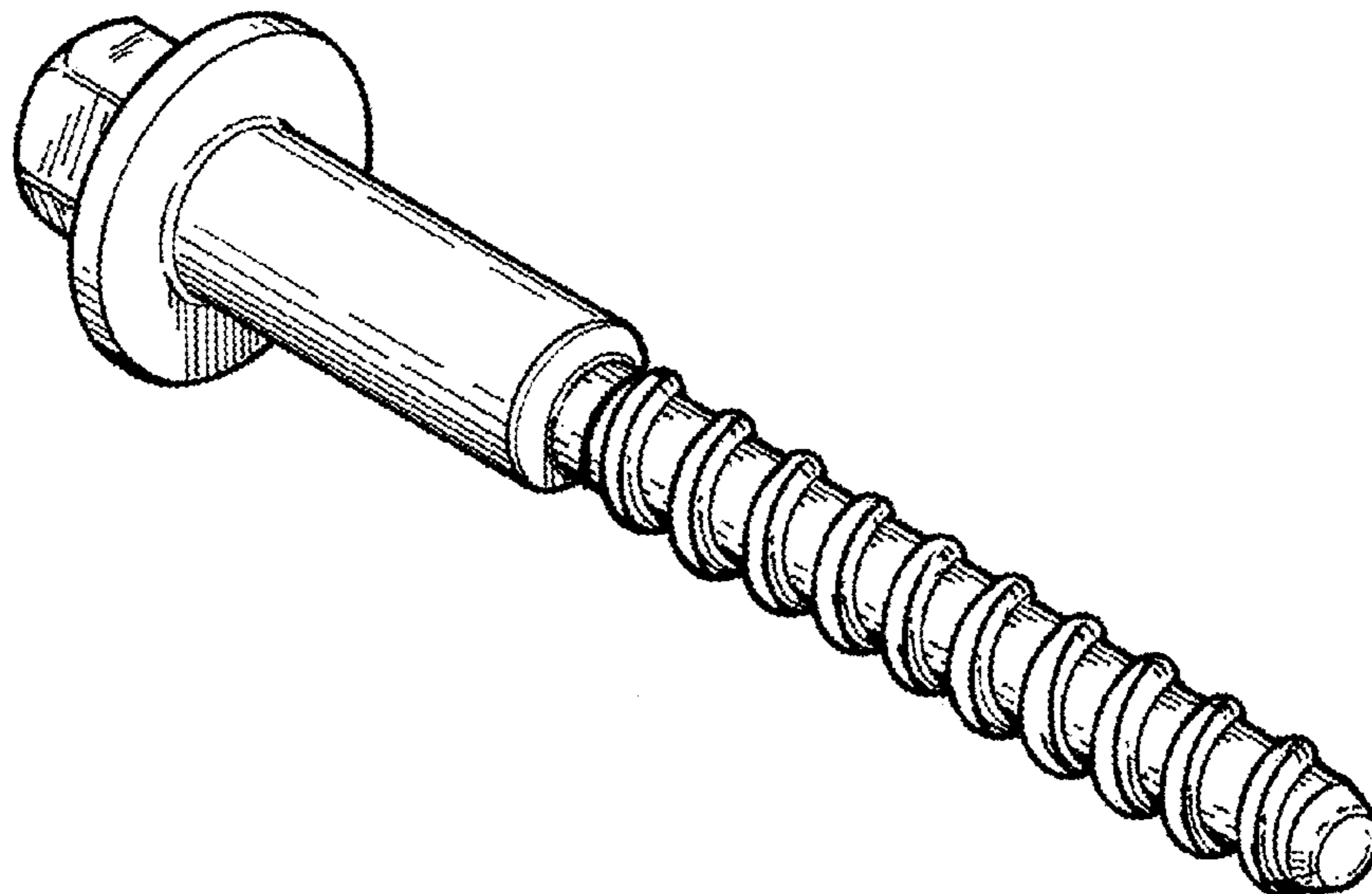
(57) **CLAIM**

The ornamental design for a fastener with cylindrical shank section, as shown and described.

**DESCRIPTION**

FIG. 1 is a top perspective view of a fastener with cylindrical shank section according to my new design; FIG. 2 is a right side elevation view thereof; FIG. 3 is a left side elevation view thereof; FIG. 4 is a front elevation view thereof; FIG. 5 is rear elevation view thereof; FIG. 6 is a top plan view thereof; and, FIG. 7 is a bottom plan view thereof.

**1 Claim, 2 Drawing Sheets**



(56)

**References Cited**

U.S. PATENT DOCUMENTS

2011/0286814 A1\* 11/2011 Hettich ..... F16B 5/0275  
411/386  
2012/0155986 A1\* 6/2012 Schaser ..... B21H 3/022  
411/337

\* cited by examiner

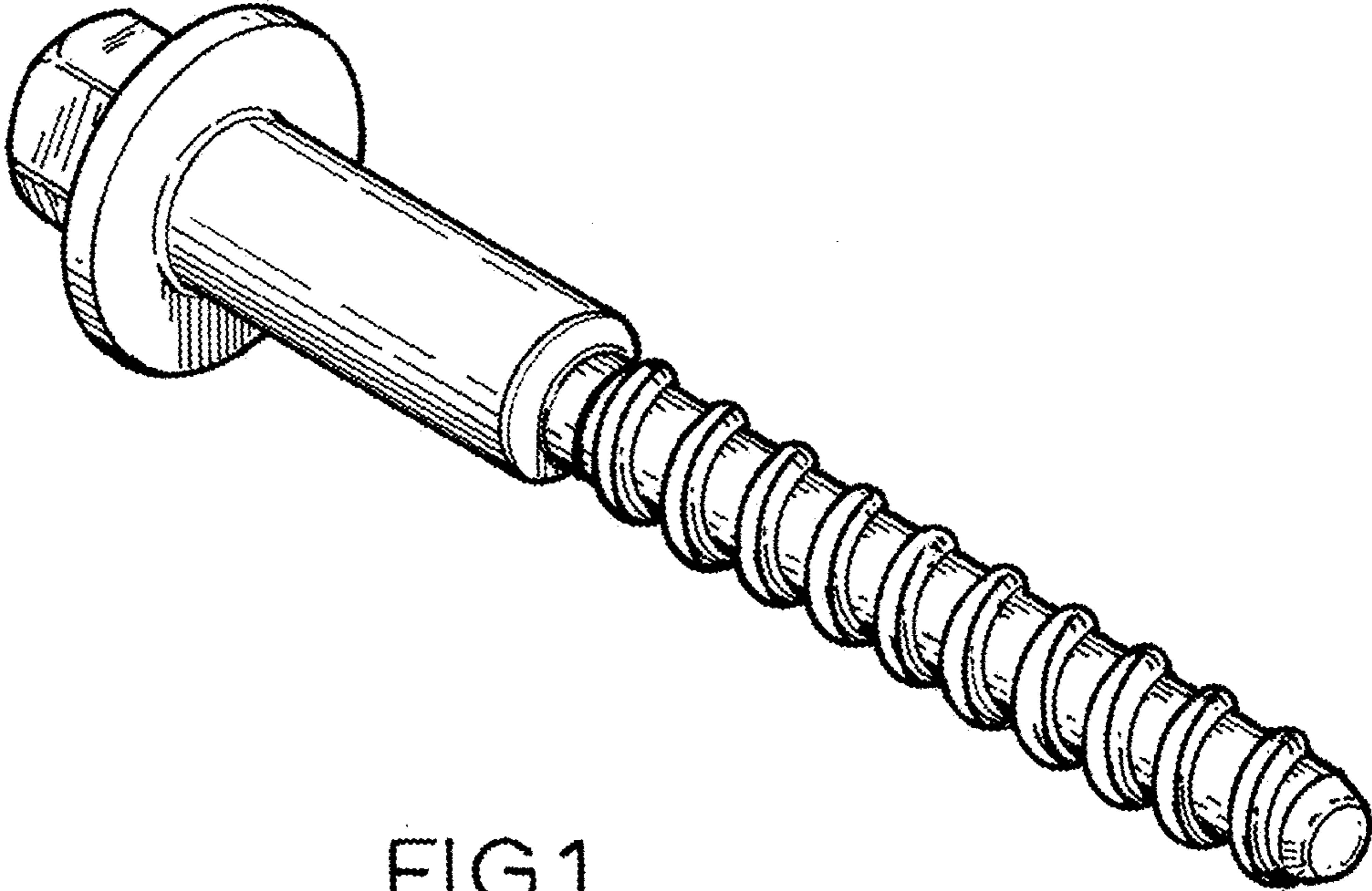


FIG. 1

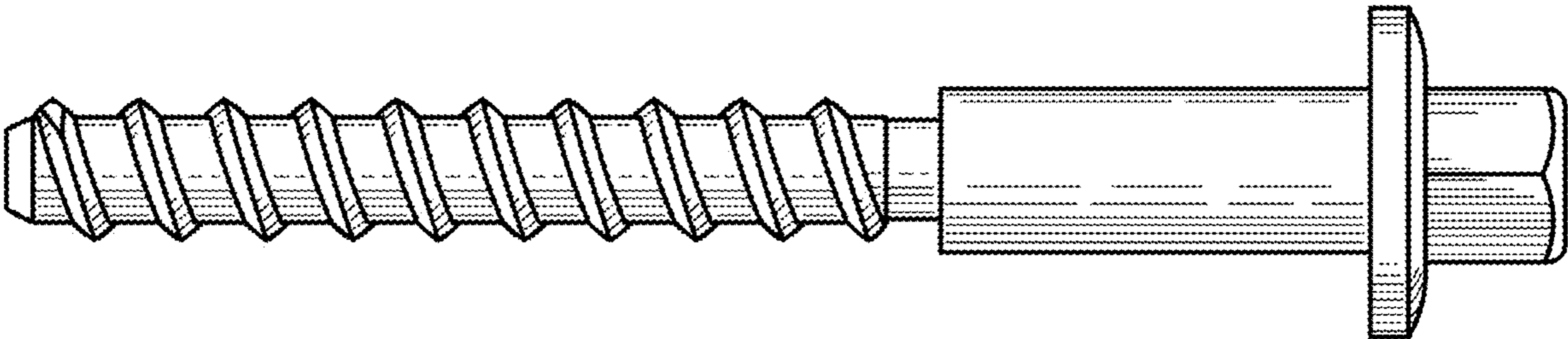


FIG. 2

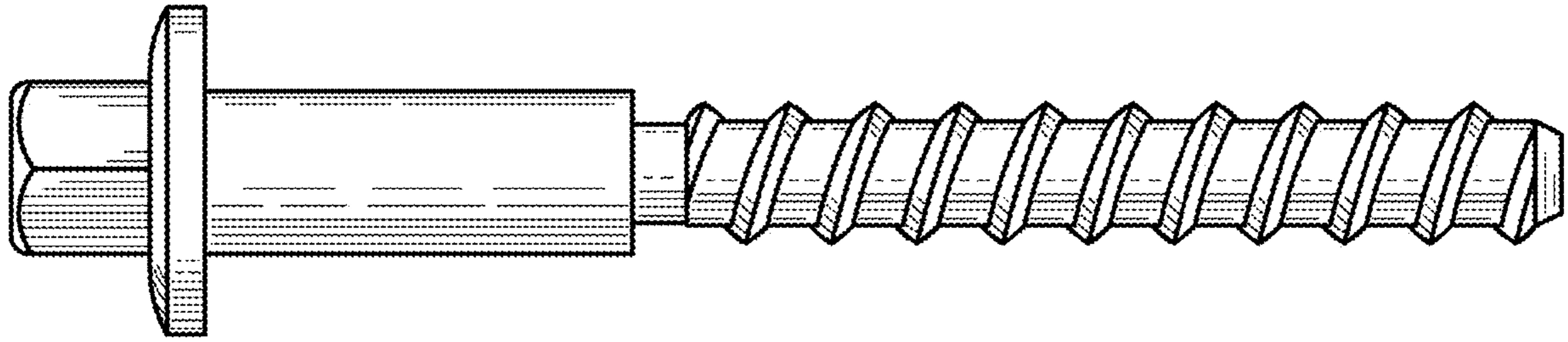


FIG. 3

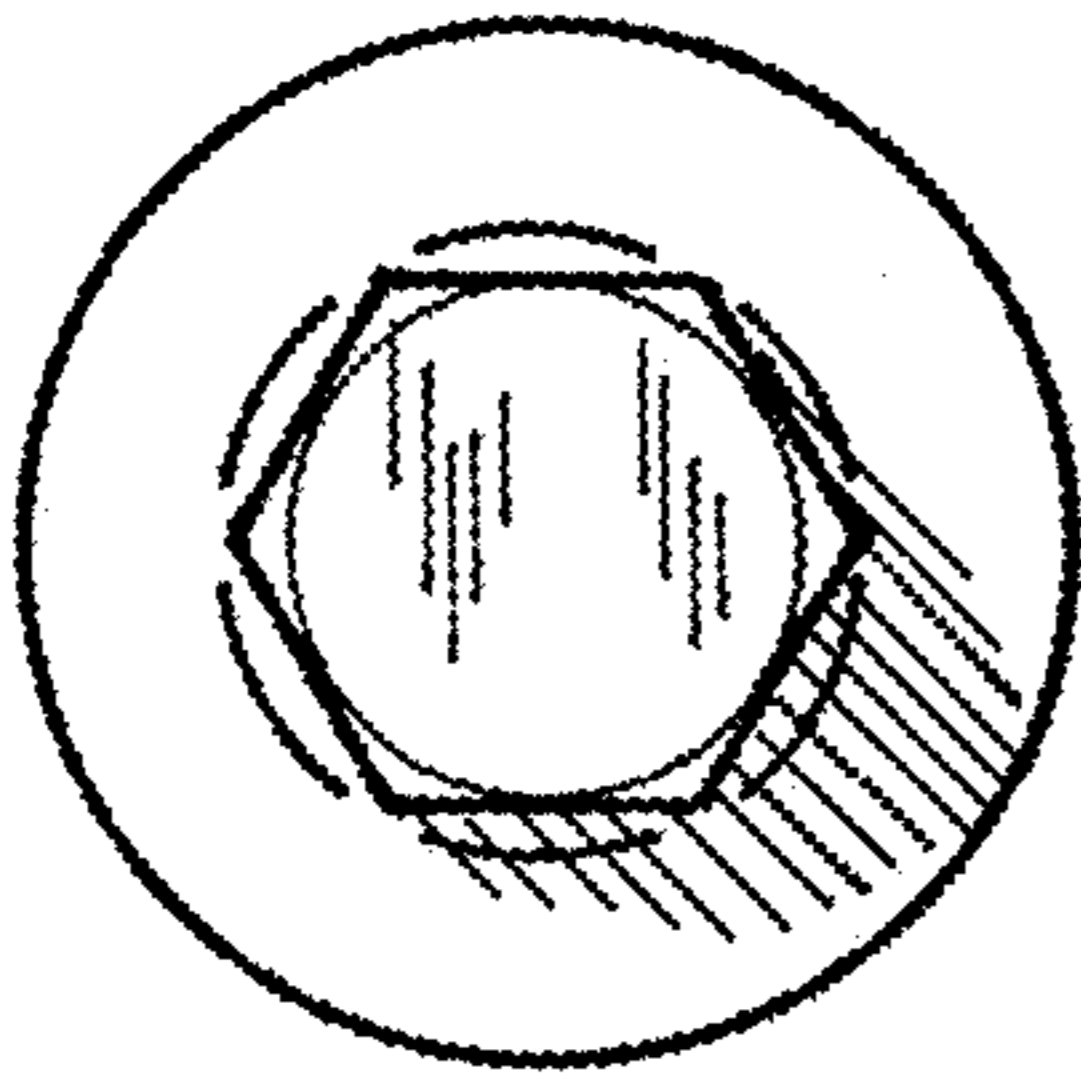


FIG. 4

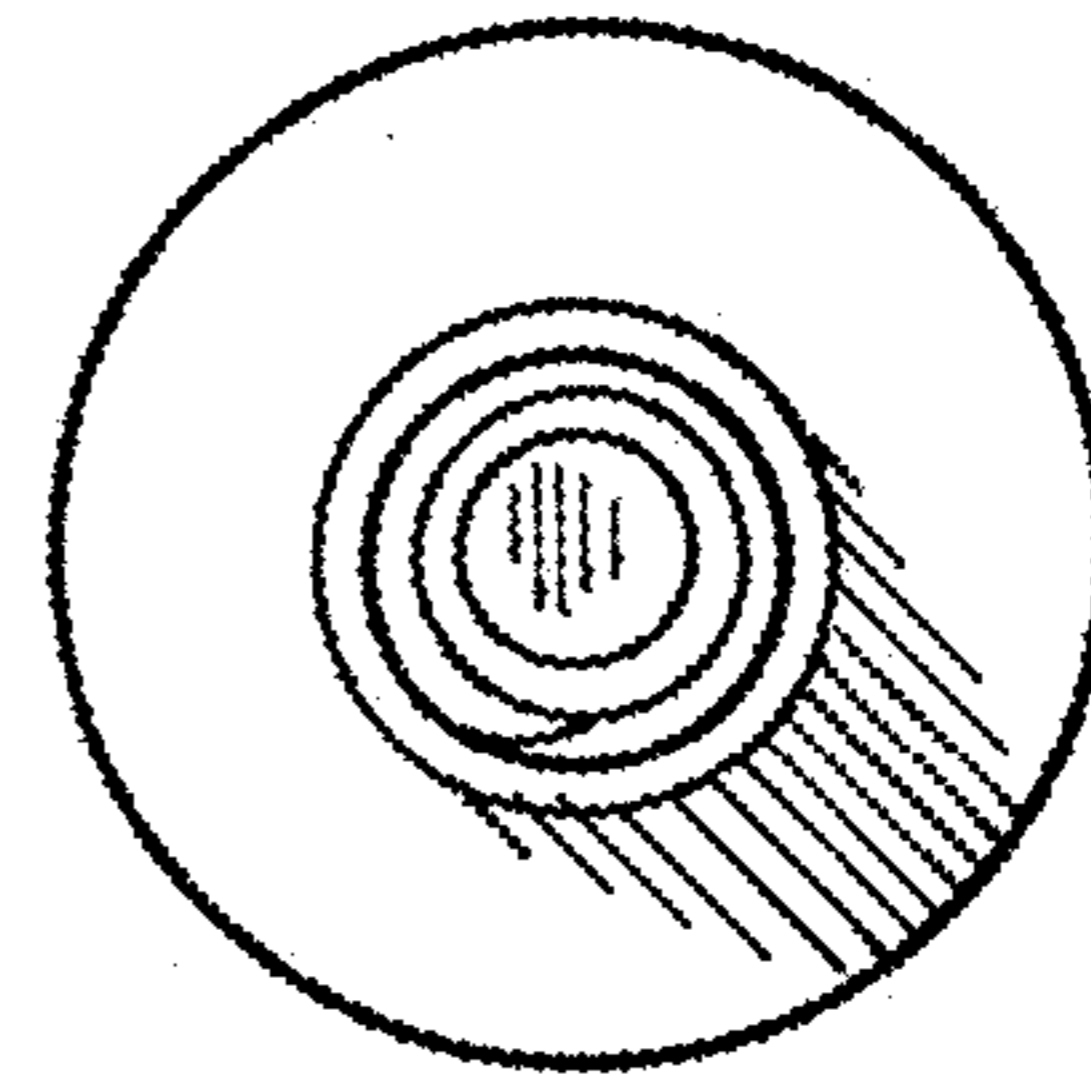


FIG. 5

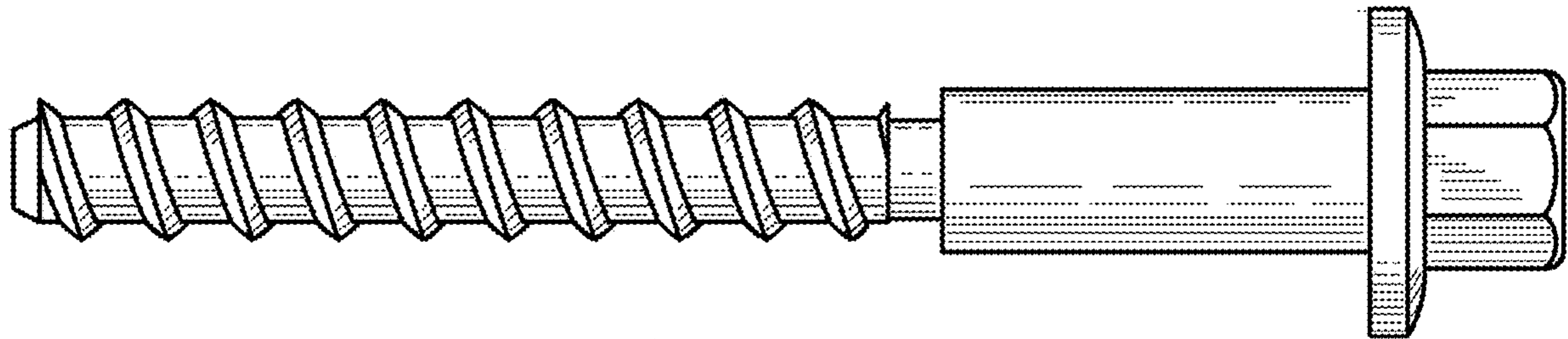


FIG. 6

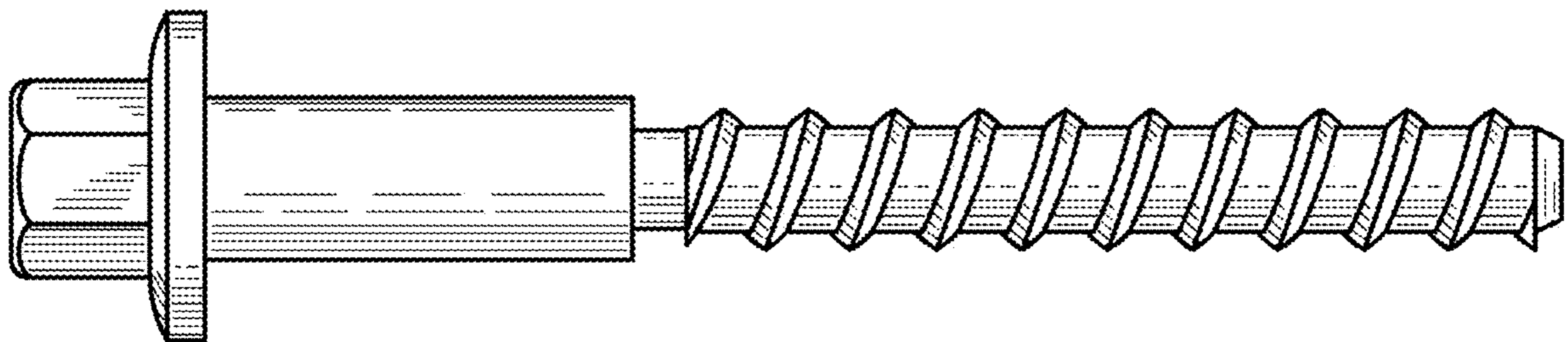


FIG. 7