



US00D879596S

(12) **United States Design Patent** (10) **Patent No.:** **US D879,596 S**
Li (45) **Date of Patent:** **** Mar. 31, 2020**

(54) **SEAMLESS HOOK**
(71) Applicant: **Jin Li**, Nanyang (CN)
(72) Inventor: **Jin Li**, Nanyang (CN)
(**) Term: **15 Years**

D761,093 S * 7/2016 Liu D8/367
D810,548 S * 2/2018 Lynn D8/367
D811,201 S * 2/2018 Berger D8/367
D811,862 S * 3/2018 Berger D8/367
D812,454 S * 3/2018 Berger D8/367
D818,353 S * 5/2018 Sacks D8/367
D821,184 S * 6/2018 Berger D8/367
D832,685 S * 11/2018 Wei D8/367
D842,083 S * 3/2019 Thompson D8/367

(21) Appl. No.: **29/714,553**

(22) Filed: **Nov. 25, 2019**

(51) **LOC (12) Cl.** **08-05**

(52) **U.S. Cl.**
USPC **D8/367**

(58) **Field of Classification Search**
USPC D8/367, 354, 349, 373; D6/323;
248/301-304, 339
CPC A47G 1/00; A47G 25/00
See application file for complete search history.

(56) **References Cited**

U.S. PATENT DOCUMENTS

2,679,998 A * 6/1954 Bernhard F16B 47/003
248/205.3
3,637,181 A * 1/1972 Janssen A47G 1/17
248/205.3
4,003,538 A * 1/1977 Frye A47G 1/17
248/544
D327,641 S * 7/1992 Hoskinson D8/367
D356,941 S * 4/1995 Reddick D8/367
D374,602 S * 10/1996 Protz, Jr. D8/367
D424,351 S * 5/2000 Hill D6/546
6,081,975 A * 7/2000 Norrby F16B 45/00
24/265 H
D436,517 S * 1/2001 Barry D8/354
D473,454 S * 4/2003 Goodman D8/370
D477,526 S * 7/2003 Goodman D8/370
D590,577 S * 4/2009 Bruno D2/853
D658,029 S * 4/2012 Fulkerson D8/301
D670,997 S * 11/2012 Thompson D8/367
D734,133 S * 7/2015 Spindler F21S 4/10
D8/367

OTHER PUBLICATIONS

“1Pcs Transparent Strong Self Adhesive Door Wall Hangers Hooks for Silicone Storage Hanging Kitchen Magic Bathroom Accessories”, Retrieved Nov. 25, 2019]. Retrieved from Internet, [tttps://www.aliexpress.com/item/4000334039632.html?spm=a2g0o.productlist.0.0.1d69543cDC](https://www.aliexpress.com/item/4000334039632.html?spm=a2g0o.productlist.0.0.1d69543cDC).

“Dropshipping 1 Pcs 6*6cm Sucker Hook Strong Transparent Suction Cup Sucker Wall Hooks Hanger for Kitchen Bathroom Bathroom Hanger”, Retrieved Nov. 25, 2019]. Retrieved from Internet, <https://www.aliexpress.com/item/4000097131589.html?spm=a2g0o.detail.1000060.3.20ae6b62>.

(Continued)

Primary Examiner — Cynthia R Underwood

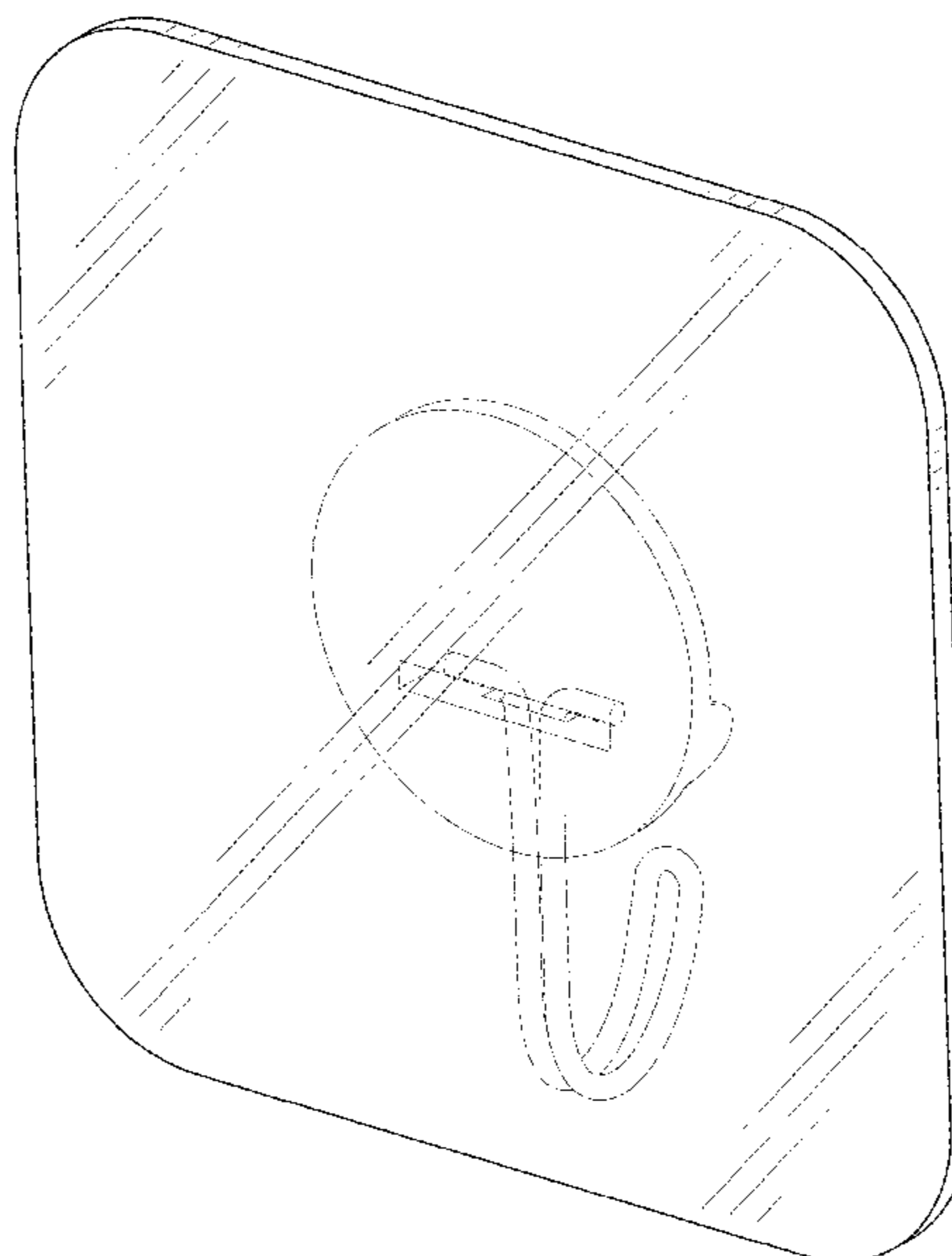
(57) **CLAIM**

The ornamental design for a seamless hook, as shown and described.

DESCRIPTION

FIG. 1 is a perspective view of a seamless hook showing my new design;
FIG. 2 is another perspective view thereof;
FIG. 3 is a front elevational view thereof;
FIG. 4 is a rear elevational view thereof;
FIG. 5 is a left side elevational view thereof;
FIG. 6 is a right side elevational view thereof;
FIG. 7 is a top plan view thereof; and,
FIG. 8 is a bottom plan view thereof.

1 Claim, 8 Drawing Sheets



(56)

References Cited

OTHER PUBLICATIONS

“4 PCS Reusable Sticker Hooks Damage Free Wall Hanger Water-proof Transparent Bathroom Kitchen Hook for Clothes Keys and Towels”, Retrieved Nov. 25, 2019]. Retrieved from Internet, <https://www.aliexpress.com/item/32847822114.html?spm=a2g0o.productlist.0.0.1d69543cDCS5>.

* cited by examiner

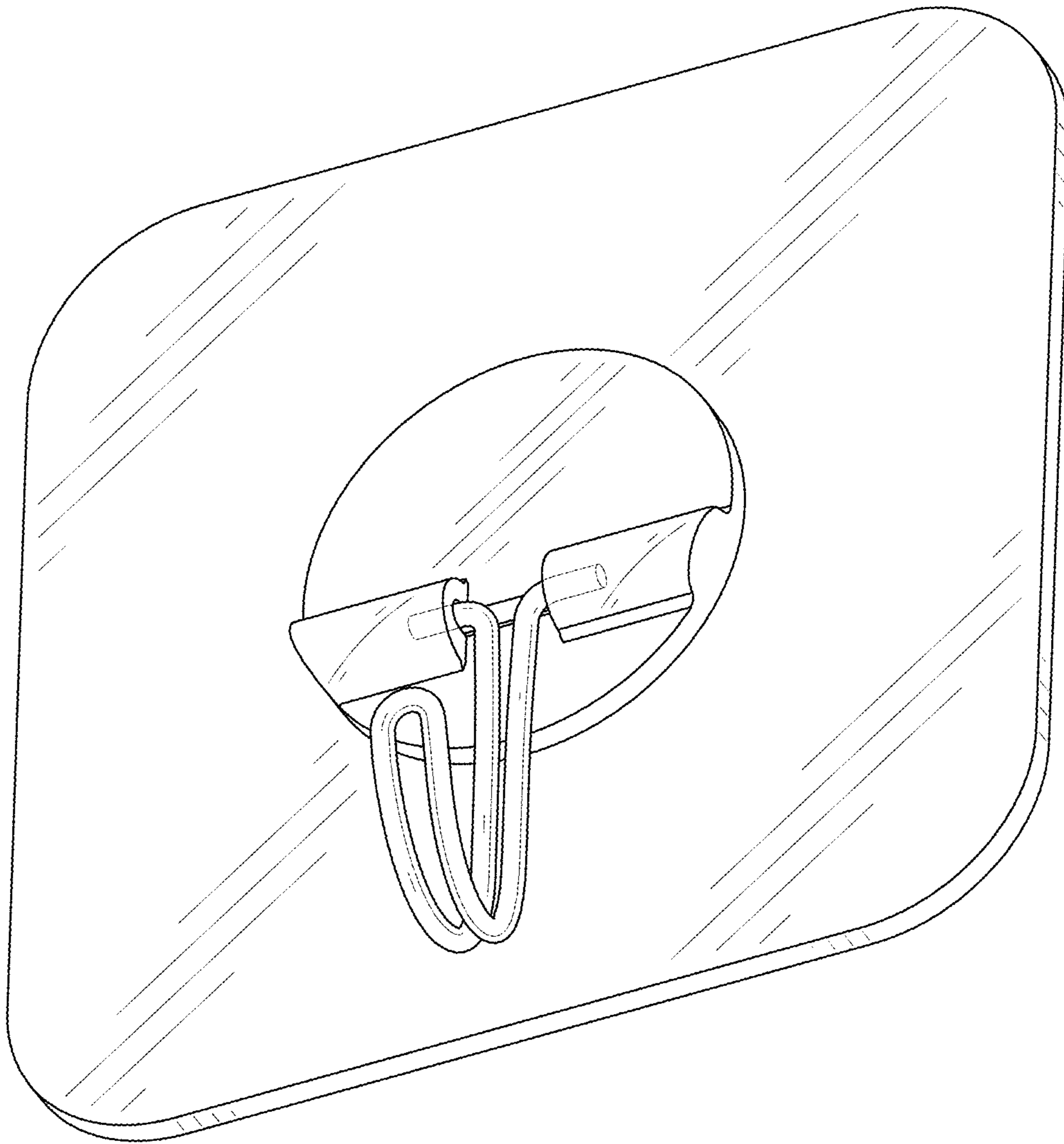


FIG. 1

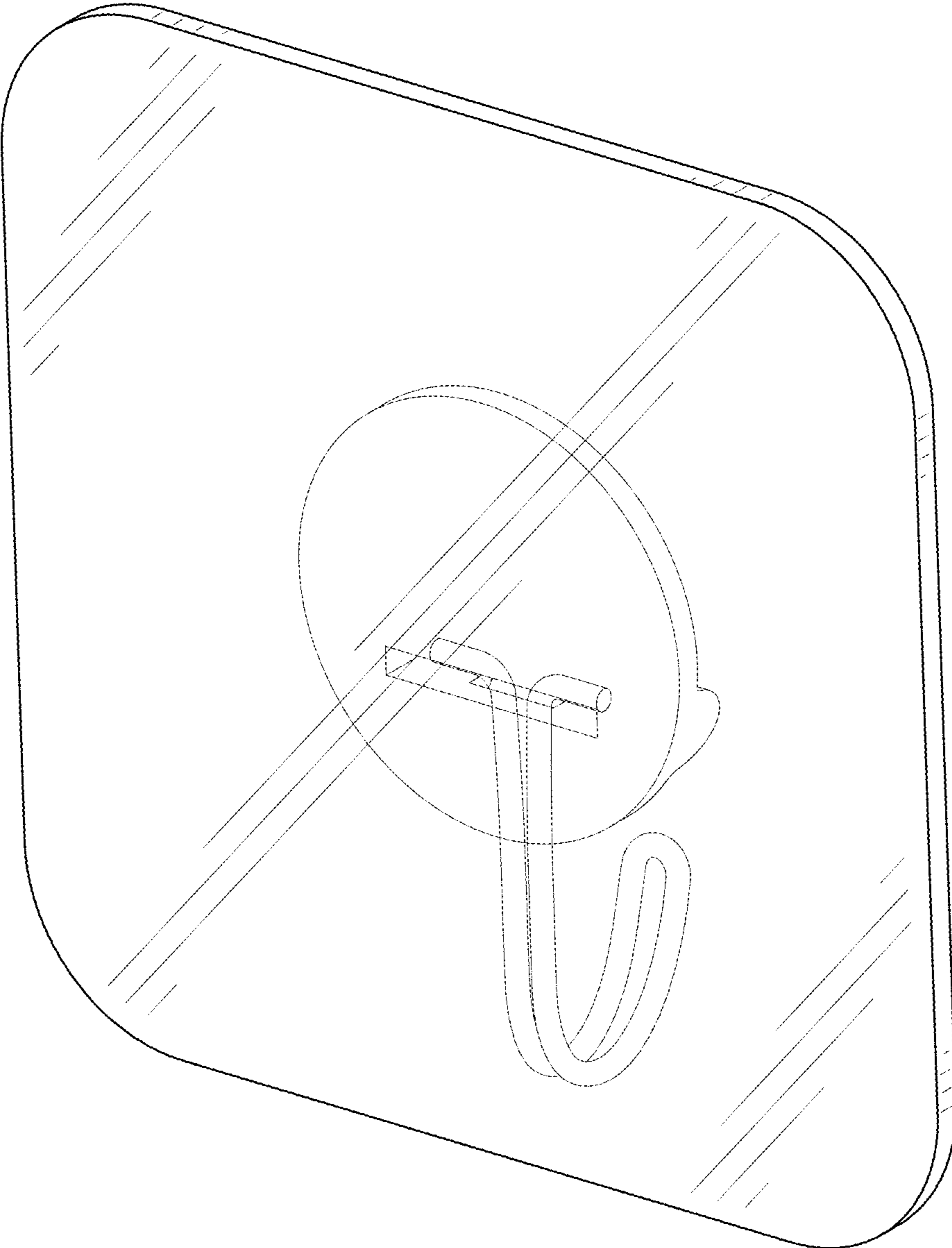


FIG. 2

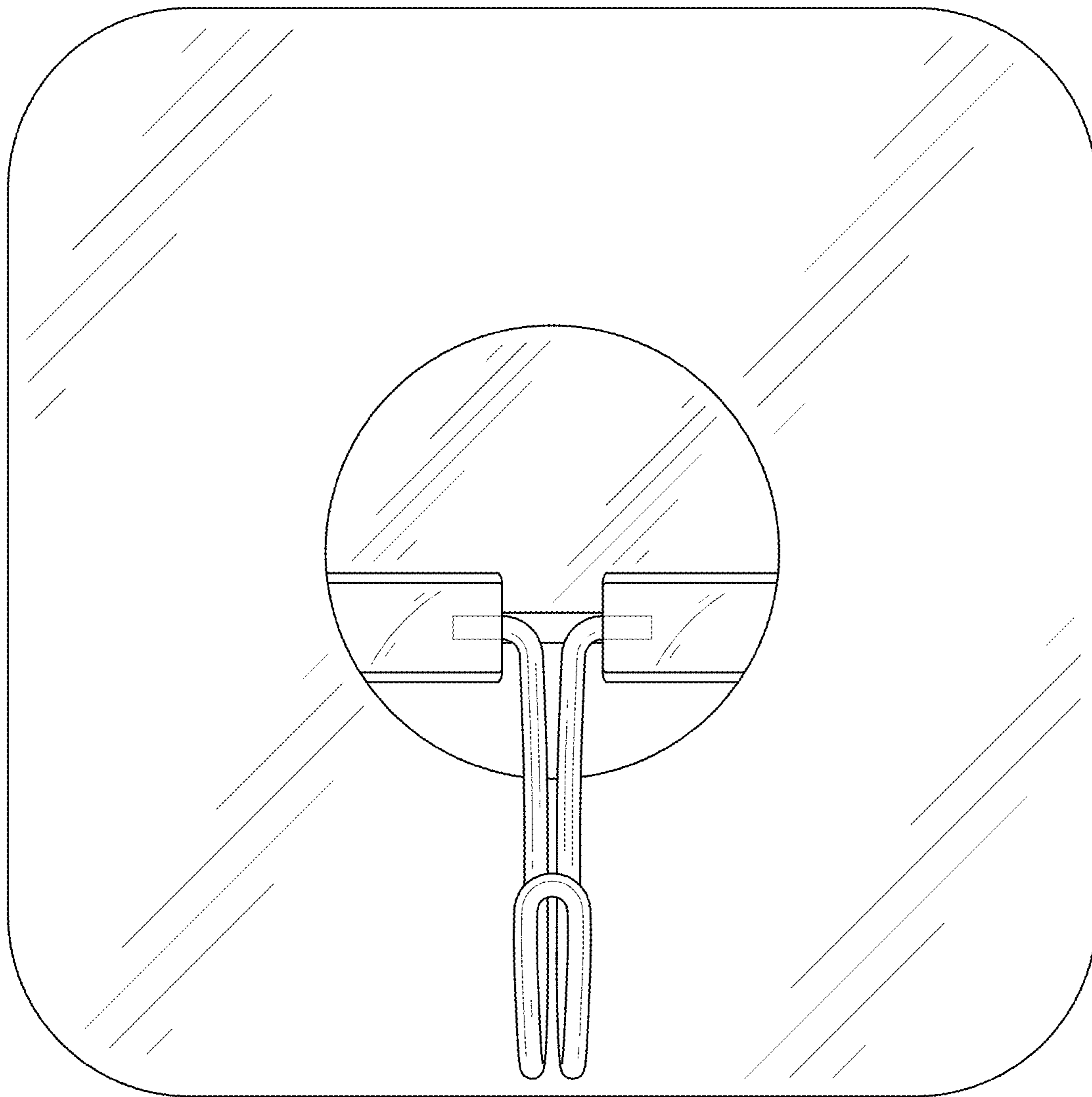


FIG. 3

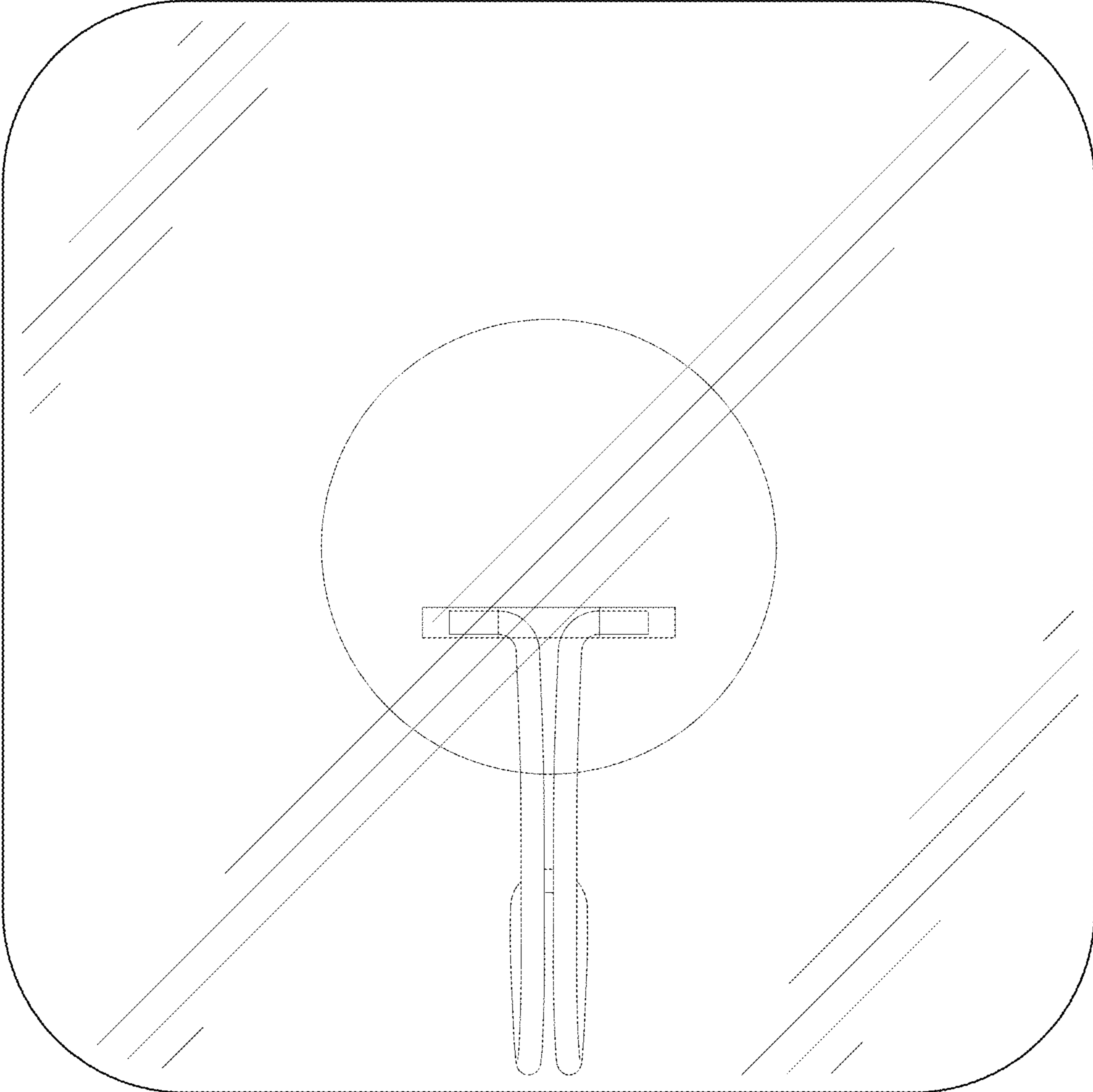


FIG. 4

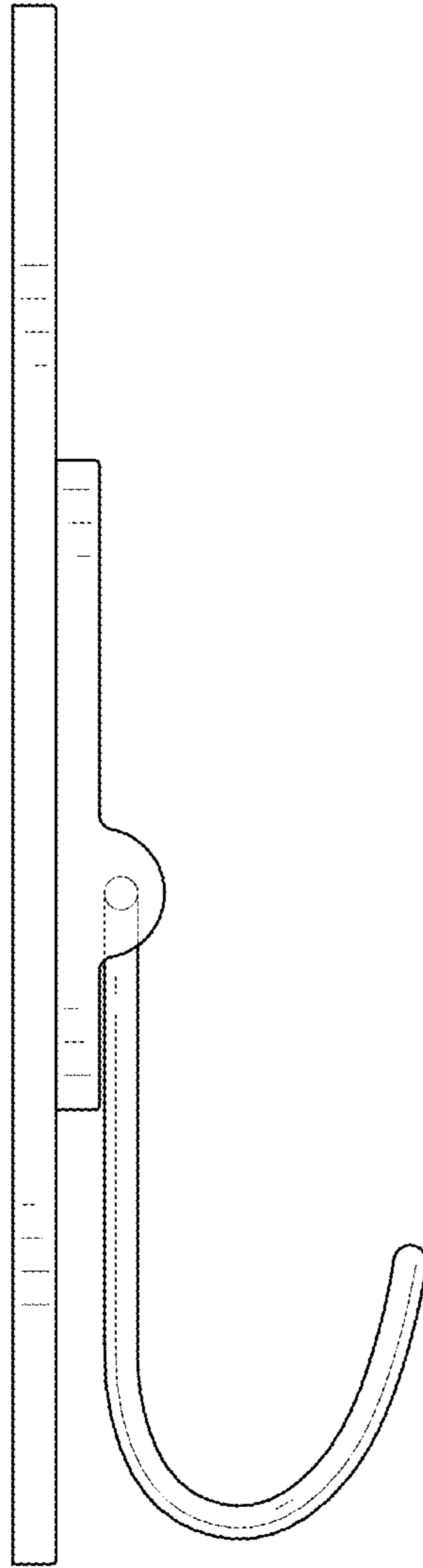


FIG. 5

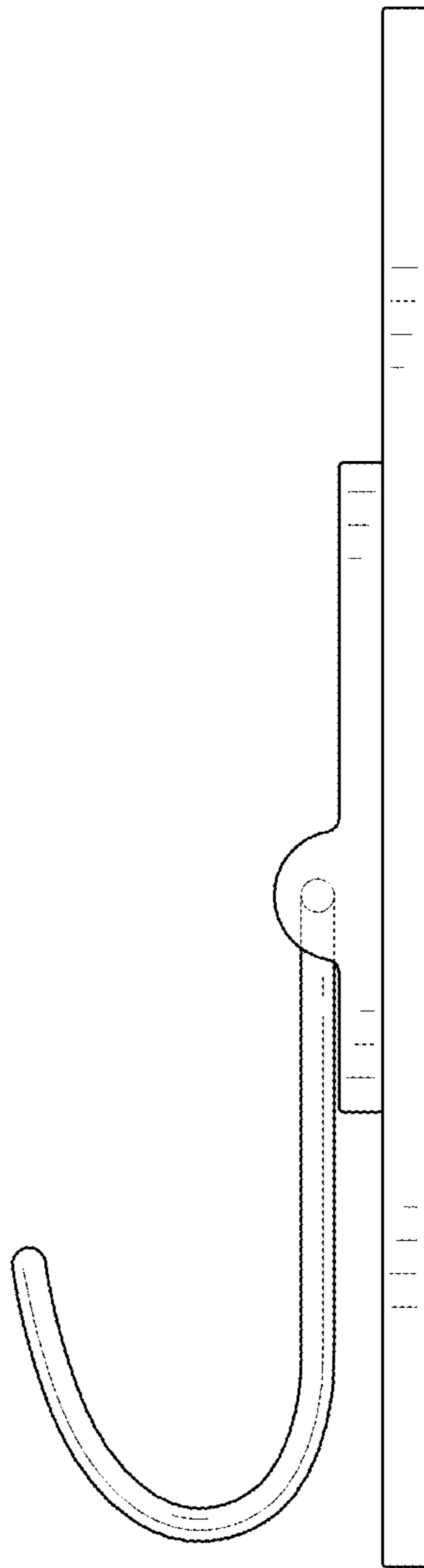


FIG. 6

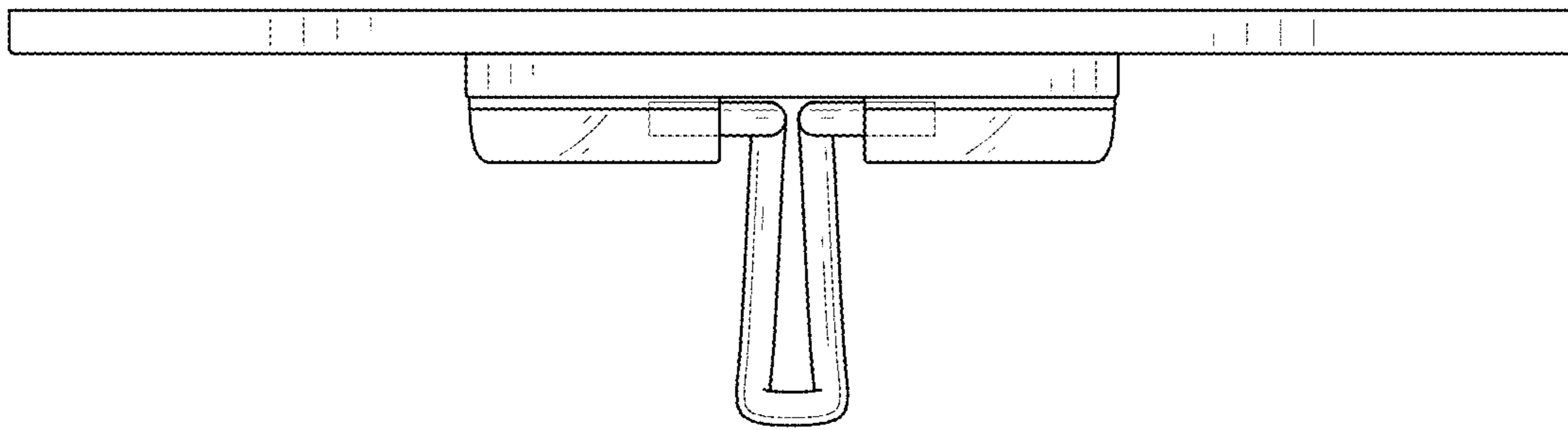


FIG. 7

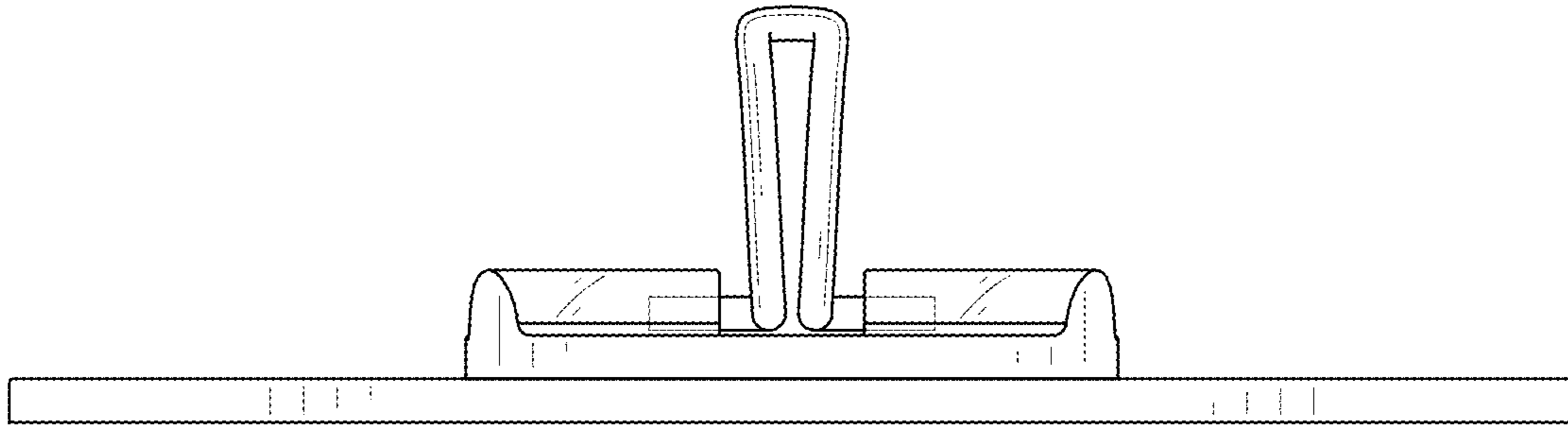


FIG. 8