



US00D879595S

(12) **United States Design Patent**
Veilleux et al.

(10) **Patent No.:** **US D879,595 S**

(45) **Date of Patent:** **** Mar. 31, 2020**

- (54) **SHELF ROD HOOK**
- (71) Applicants: **David Veilleux**, St. George, UT (US);
Pierre Patenaude,
St-Roch-des-Aulnaies (CA)
- (72) Inventors: **David Veilleux**, St. George, UT (US);
Pierre Patenaude,
St-Roch-des-Aulnaies (CA)
- (73) Assignee: **152310 Canada**, Brossard (CA)
- (**) Term: **15 Years**
- (21) Appl. No.: **29/659,993**
- (22) Filed: **Aug. 14, 2018**
- (51) **LOC (12) Cl.** **08-05**
- (52) **U.S. Cl.**
USPC **D8/367**
- (58) **Field of Classification Search**
USPC D8/367, 356, 354, 349, 18, 105, 368,
D8/397; D11/208, 218; 248/341;
224/217
CPC A45F 5/021; A44B 13/0029; F16B 45/00;
F16M 13/02; A45C 13/03; A47G 1/17;
A47G 1/16
See application file for complete search history.

(56) **References Cited**

U.S. PATENT DOCUMENTS

- 888,819 A * 5/1908 Kemper A47G 1/16
248/215
- 4,606,521 A * 8/1986 Williams A62B 9/04
24/339
- D312,038 S * 11/1990 Sachs D8/354
- D393,795 S * 4/1998 Bernstein D8/373
- D491,447 S * 6/2004 Diss D8/371

- D608,190 S * 1/2010 Jimenez D8/395
- D629,673 S * 12/2010 Shaha D8/367
- D655,150 S * 3/2012 Alderman D8/367
- D699,097 S * 2/2014 Chung D8/354
- D707,110 S * 6/2014 Veilleux D8/367
- D719,438 S * 12/2014 Veilleux D8/367
- D720,985 S * 1/2015 Veilleux D8/367
- D764,259 S * 8/2016 Schoening D8/356
- D794,867 S * 8/2017 Yulin D26/138
- D801,160 S * 10/2017 Westcott D8/367
- D817,730 S * 5/2018 Petersen D8/14

* cited by examiner

Primary Examiner — Cynthia R Underwood

(74) *Attorney, Agent, or Firm* — James A. Italia; Italia IP

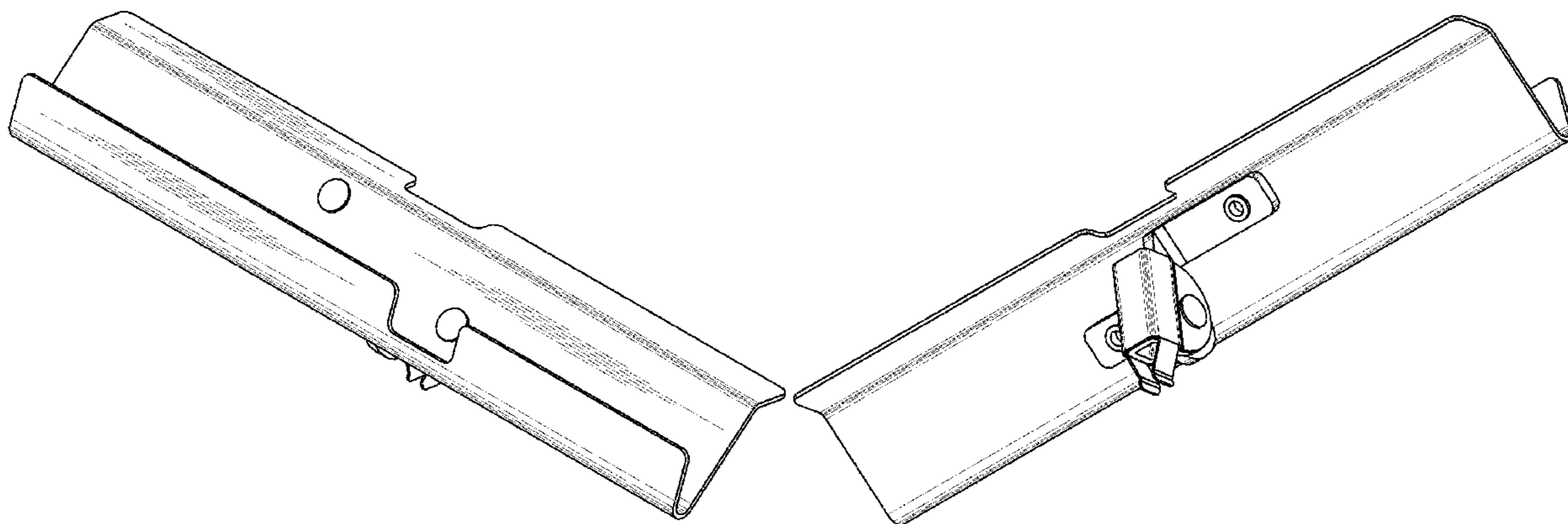
(57) **CLAIM**

The ornamental design for a shelf rod hook, as shown and described.

DESCRIPTION

FIG. 1 is a front perspective view of a shelf rod hook, showing our new design;
 FIG. 2 is a rear perspective view of the invention shown in FIG. 1;
 FIG. 3 is a front elevational view of the invention shown in FIG. 1;
 FIG. 4 is a rear elevational view of the invention shown in FIG. 1;
 FIG. 5 is a right-side elevational view of the invention shown in FIG. 1;
 FIG. 6 is a left-side elevational view of the invention shown in FIG. 1;
 FIG. 7 is a top plan view of the invention shown in FIG. 1;
 and,
 FIG. 8 bottom plan view of the invention shown in FIG. 1.

1 Claim, 4 Drawing Sheets



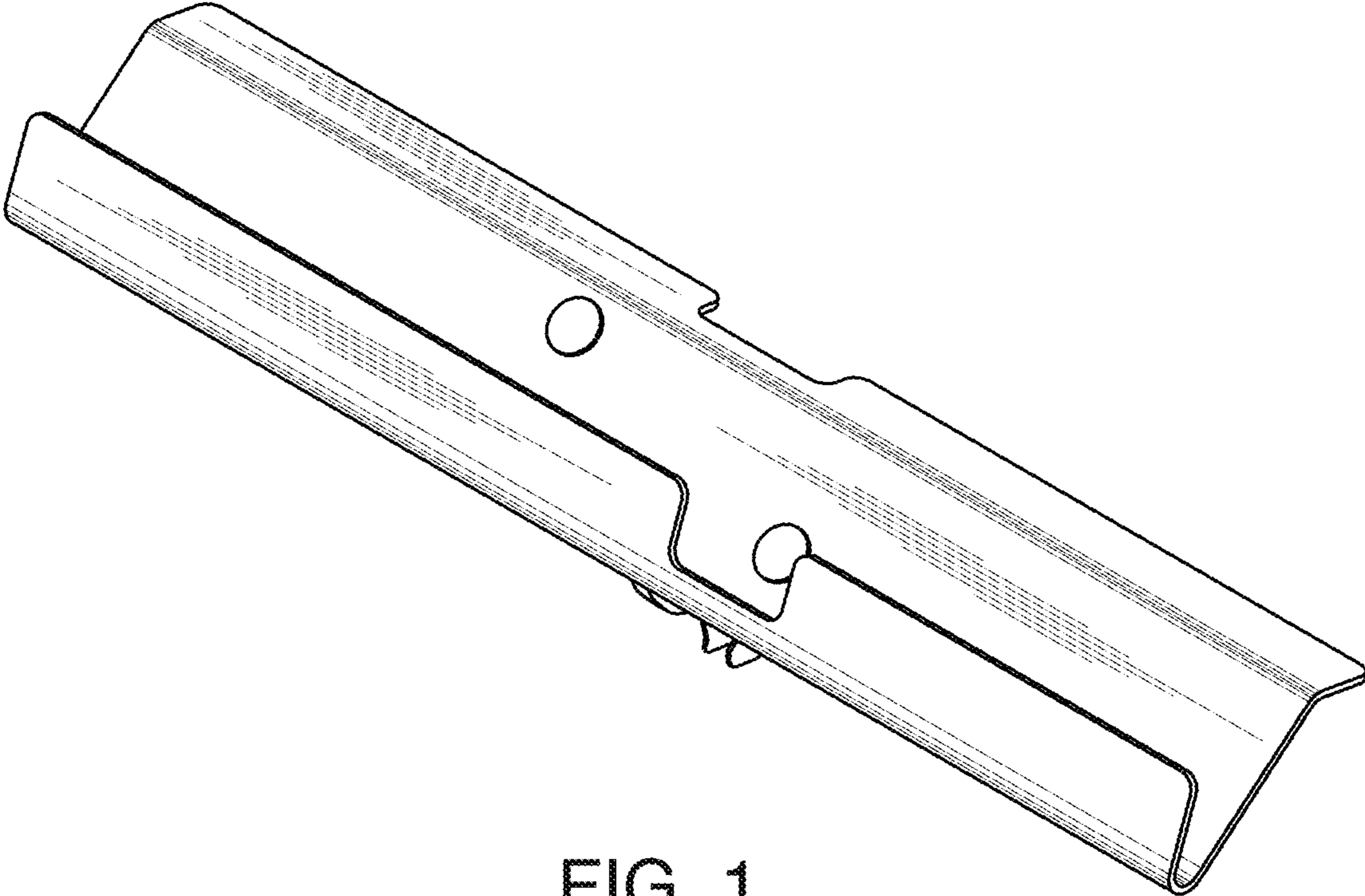


FIG. 1

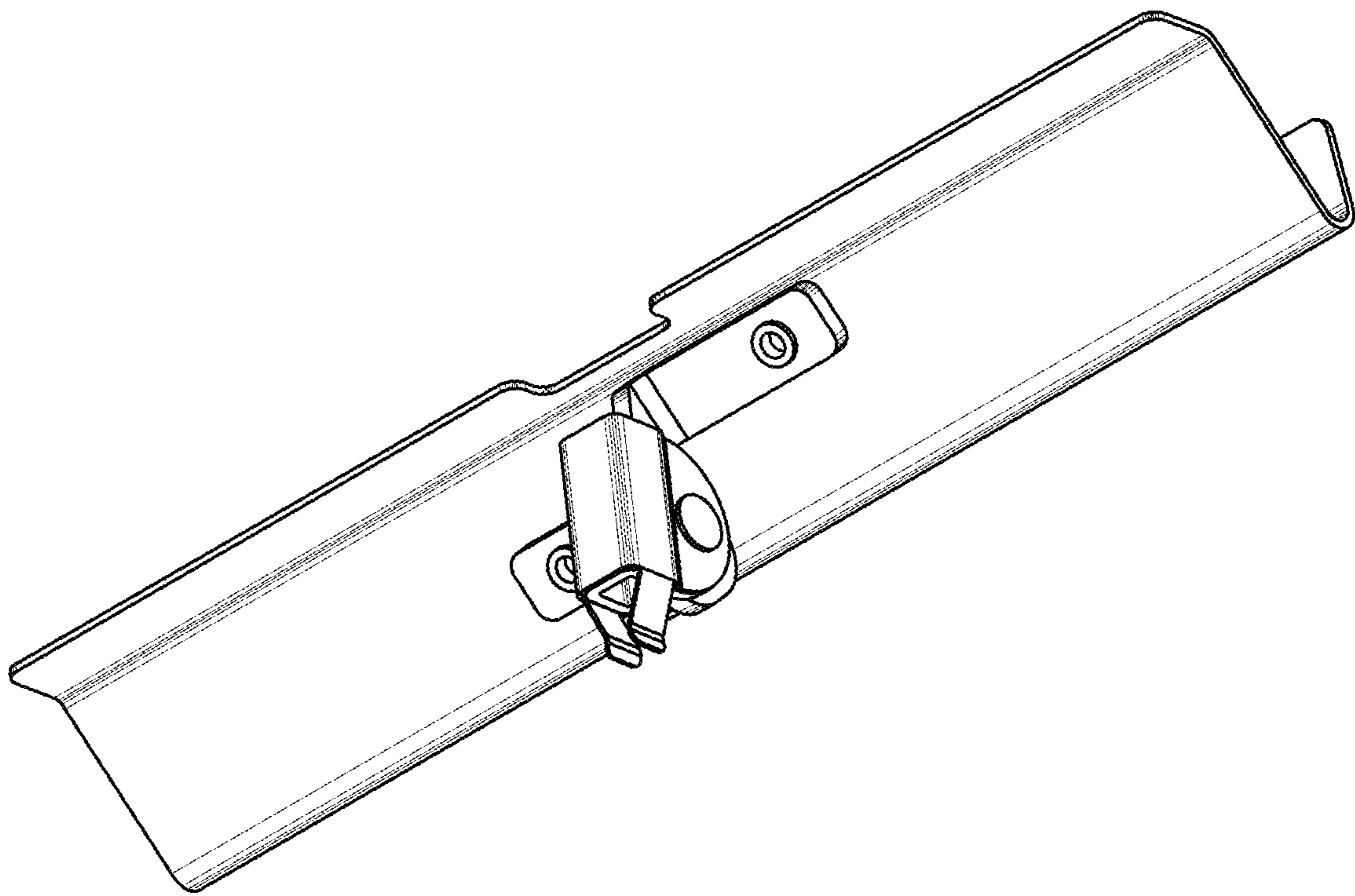


FIG. 2

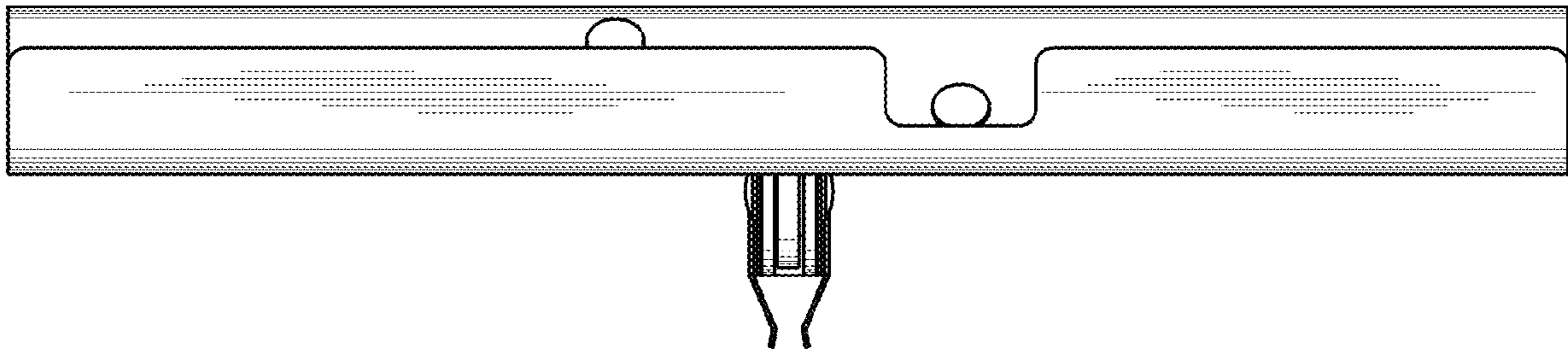


FIG. 3

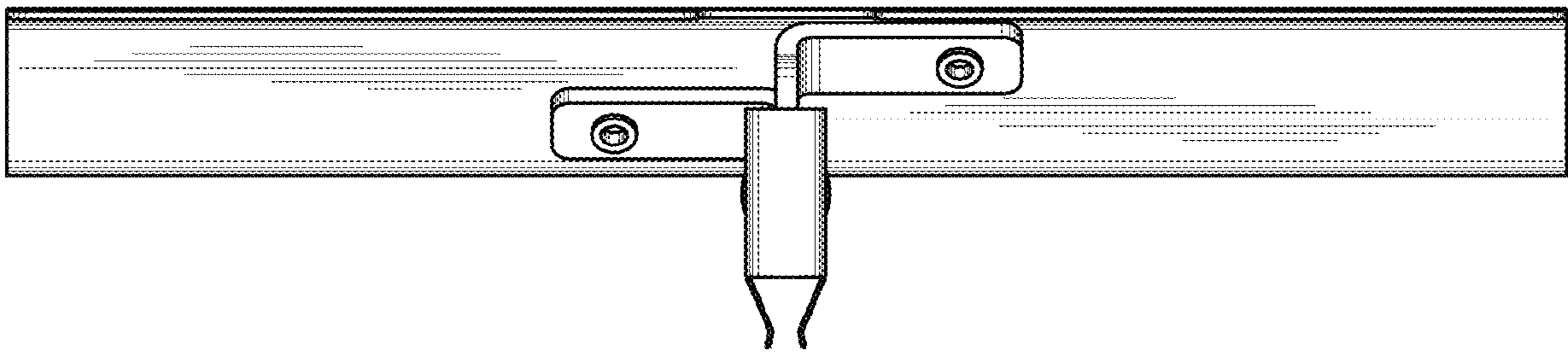


FIG. 4

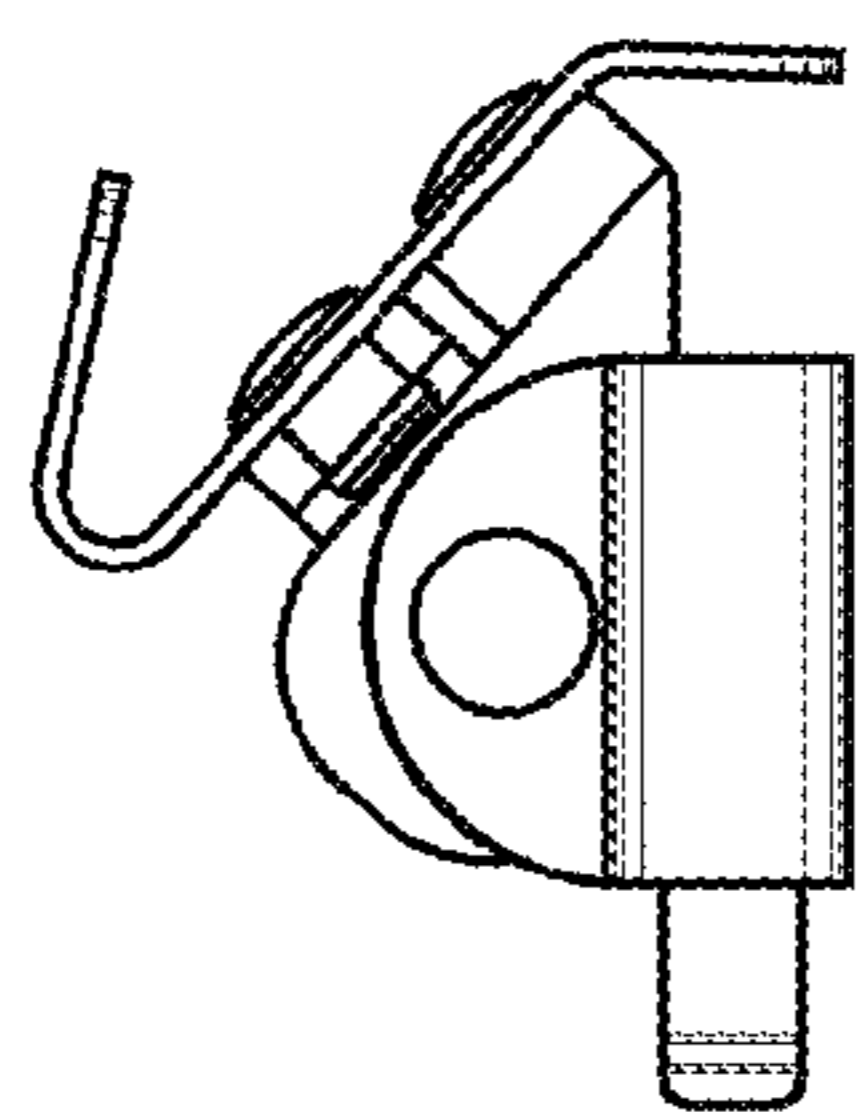


FIG. 5

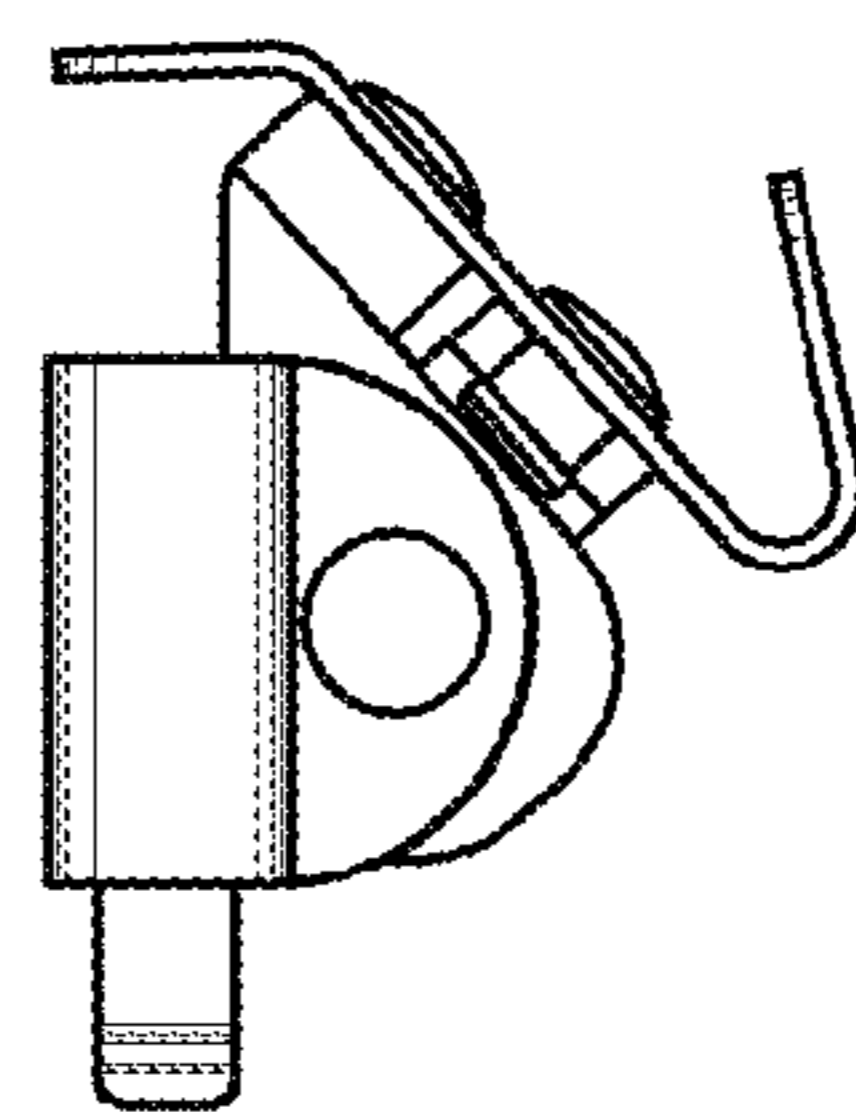


FIG. 6

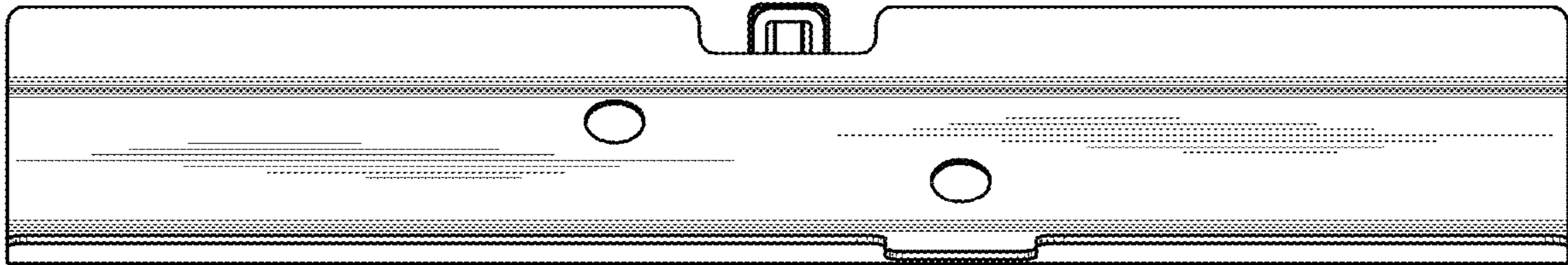


FIG. 7

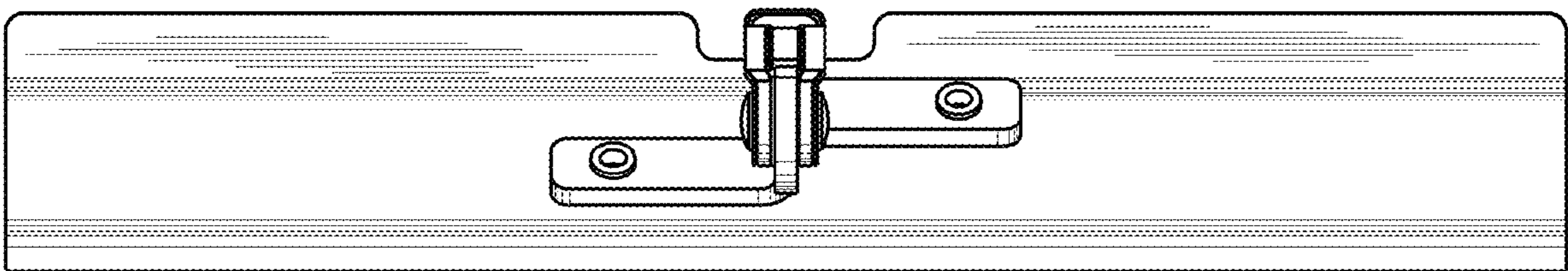


FIG. 8