

US00D879594S

(12) **United States Design Patent**
Boies et al.

(10) **Patent No.:** **US D879,594 S**
(45) **Date of Patent:** **** Mar. 31, 2020**

(54) **HOSE REEL**

(71) Applicant: **GARANT GP**, Saint-François (CA)

(72) Inventors: **David Boies**, Lévis (CA);
Marie-Claude Guay, Lac Beauport (CA); **Alexandre Allard**, Quebec (CA);
Mario Gagnon, Ste-Adèle (CA); **Romain Zolfo**, Montreal (CA); **Benoit Orban**, Saint-Lambert (CA); **André Quevillon**, Blainville (CA)

(73) Assignee: **GARANT GP** (CA)

(**) Term: **15 Years**

(21) Appl. No.: **29/632,469**

(22) Filed: **Jan. 8, 2018**

(51) **LOC (12) Cl.** **08-05**

(52) **U.S. Cl.**
USPC **D8/359**

(58) **Field of Classification Search**
USPC D08/373, 358, 359, 354, 71, 330, 336,
D08/351, 356, 360.1, 363, 364, 367, 370,
D08/372, 379, 381, 382, 395, 396;
D06/349, 352; D09/426, 502, 750;
D10/72, 73, 89; D11/79, 93; D13/103,
D13/107; D19/67; D21/673, 674, 675,
D21/839, 840; D25/19, 62, 68, 69;
D26/40, 49; D29/122, 124; D30/153,
D30/155; D12/162; D34/24, 26
CPC B65H 75/40; B65H 75/4407;
B65H 75/4471; B65H 2701/34; B65H
2701/32; B65H 2511/142; B65H 29/008;
B65H 2701/33; B65H 54/585; B65H
51/22; B65H 75/08; B65H 75/02; B65H
2301/41485; B65H 75/4468; B65H
2301/414323; B65H 2301/414325; B65H
16/02; B65H 2301/4131; B65H 75/403;
B65H 75/441; B65D 85/66; B65D 85/67;
B66D 3/006; B66D 3/18; B66D 3/26;
B66D 3/02; B66D 3/14; B63B 21/18;
B63B 21/26; B65B 57/005; A61G

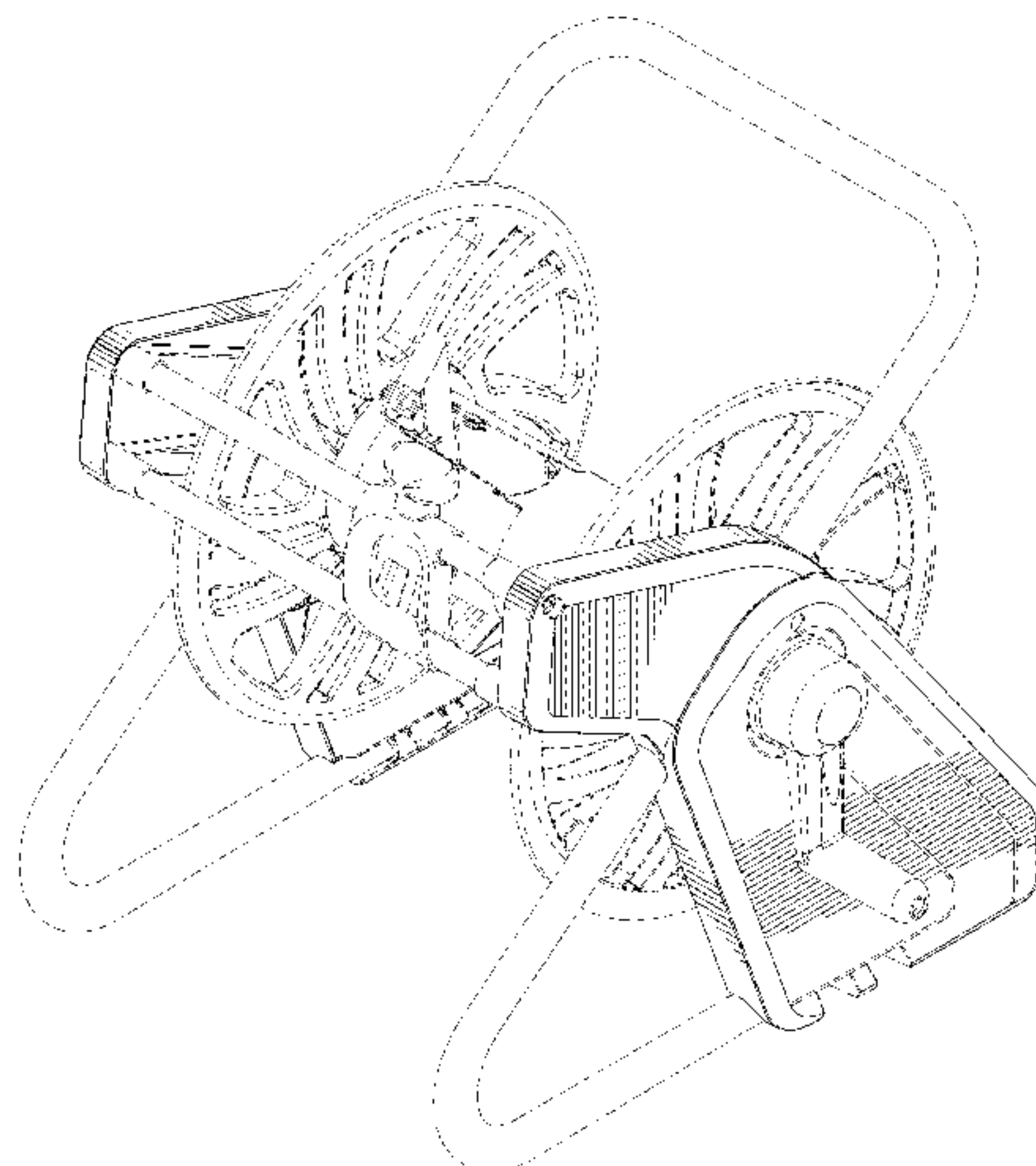
7/1051; A61G 7/1061; B66B 11/08;
A62C 33/04; B08B 2203/0276; B21C
47/28; H02G 11/02; A01K 89/003; H04M
1/15; A01D 34/822; A47L 9/26; E05C
19/10; E05C 17/50; E05C 3/045; E05C
3/30; E05C 19/02; E05C 19/026; A47G
25/0614; A47G 25/18; A47G 25/32;
A47G 7/047; A47G 7/045; A47G 7/042;
A47G 7/044; F16B 12/44; F16B 12/46;
F16B 5/0614; F16B 12/02; E04B 1/2612;
E04B 2001/2415; E04B 1/5818; E04B
1/5831; A47B 88/0055; E04F 11/1812;
F16L 1/0246; A01G 31/001; A01G 9/02;
A01G 9/083; A01G 9/12; A01G 9/024;
A01G 25/14; A01G 27/001; A01G 9/042;
A01G 27/005; B60D 1/185; B60P 7/083;
B60P 7/0853; B60P 7/0823; Y10S
24/909; Y10T 24/2164; Y10T 24/2175;
H04R 1/1033

See application file for complete search history.

(56) **References Cited**

U.S. PATENT DOCUMENTS

D294,455 S 3/1988 Nelson
5,056,553 A * 10/1991 Whitehead B65H 75/22
137/355.27
D326,549 S * 5/1992 Whitehead D34/26
D328,173 S * 7/1992 Nelson D34/26
D330,847 S * 11/1992 Clivio D8/359
D343,710 S * 1/1994 Roman D34/26
5,308,011 A * 5/1994 Roman B65H 75/403
242/395
D351,333 S 10/1994 Nelson et al.
5,381,981 A 1/1995 Nelson
D375,251 S 11/1996 Stevens et al.
D384,878 S 10/1997 Kovacik et al.
D392,080 S * 3/1998 Tisbo D34/26
5,758,685 A 6/1998 Tisbo et al.
D409,813 S 5/1999 Tisbo et al.
5,934,314 A 8/1999 Tisbo et al.
5,988,552 A 11/1999 Tisbo et al.
D417,538 S 12/1999 Tisbo et al.
D418,270 S * 12/1999 Tisbo D34/24
D451,257 S * 11/2001 Moritsch D34/20
D459,851 S * 7/2002 Rehkugler D34/24
D501,788 S 2/2005 Richardson et al.
6,908,058 B2 6/2005 Moon et al.



6,932,106	B1	8/2005	Wang	
D560,127	S *	1/2008	Elam	D10/72
D566,529	S	4/2008	Black	
D654,649	S	2/2012	Blaszczak et al.	
D672,634	S	12/2012	Phillips et al.	
D672,635	S	12/2012	Phillips et al.	
D673,030	S	12/2012	Phillips et al.	
D704,036	S	5/2014	Fortier et al.	
D736,048	S *	8/2015	Vanderheyden	D19/67
D742,204	S	11/2015	Fortier et al.	
D742,205	S	11/2015	Fortier et al.	
D756,587	S *	5/2016	Zenkus	D34/24
2012/0255625	A1	10/2012	Arcati	
2012/0255626	A1	10/2012	Arcati	

FOREIGN PATENT DOCUMENTS

CA	146146	2/2013
CA	149310	2/2013
CA	149311	2/2013

OTHER PUBLICATIONS

Mixed Material Deck Hose Reel 8431600 | 84316, posted unknown, [retrieved Jan. 21, 2019]. Retrieved from Internet, <URL: <https://www.garant.com/tools/s/garden-construction-tools/hose-reels/deck-hose-reels/poly-deck-hose-reels/mixed-material-deck-hose-reel-2/>>.*

Mixed Material Deck Hose Reel 8432100 | 84321, posted unknown, [retrieved Jan. 21, 2019]. Retrieved from Internet, <URL: <https://www.garant.com/tools/s/garden-construction-tools/hose-reels/deck-hose-reels/poly-deck-hose-reels/mixed-material-deck-hose-reel/>>.*

Patio Hose Reel / Garant/ 84316, posted unknown, [retrieved Jan. 21, 2019]. Retrieved from Internet, <URL: http://www.canac.ca/en/product/seasonal/watering-irrigation/reels-hose-hangers/patio-hose-reel_59949.aspx>.*

Deck Hose Reel—225' Capacity—Red, posted unknown, [retrieved Jan. 21, 2019]. Retrieved from Internet, <URL: <https://www.rona.ca/en/deck-hose-reel-225-capacity-red-01235652>>.*

Portable Hose Reel Cart, posted unknown, [retrieved Jan. 21, 2019]. Retrieved from Internet, <URL: <https://www.mokeyinternational.com/item/?id=B07CL3YTLN>>.*

Suncast > 225 ft. Hose Reel Mobile Cart, posted as early as Jun. 12, 2013, [retrieved Jan. 21, 2019]. Retrieved from Internet, <URL: <https://www.homedepot.com/p/Suncast-225-ft-Hose-Reel-Mobile-Cart-CPLGN212J12/203694888>>.*

<http://www.garant.com/html/en/produits/produit.php?idProduit=1008858&typeProduit=famille> Nov. 15, 2013.

<http://www.garant.com/tools/c/garden-construction-tools/hose-reels/hose-reel-carts/> Dec. 14, 2017.

<http://www.garant.com/tools/c/garden-construction-tools/hose-reels/hose-reel-carts/metal-hose-reel-cart/> Dec. 14, 2017.

<http://www.garant.com/tools/c/garden-construction-tools/hose-reels/hose-reel-carts/poly-hose-reel-carts/> Dec. 14, 2014.

Claber Aquapony Compact Garden Hose Reel With 50 Ft. Of ½ In. [retrived on Aug. 16, 2019] Retrived from the Internet (URL: <https://www.amazon.com/d/Pressure-Washer-Accessories/Claber-8884-Aquapony-Compact-50-Feet/B00134RIPW5>).

Gardena Classic Hose Reel. [retrived on Aug. 16, 2019] Retrived from the Internet (URL: <https://en.all4plants.com/gardena-classic-hose-reel-set-incl-20-meter-12q-hose-fittings/P6887>).

Gardena 8011-ca Classic. [retrived on Aug. 16, 2019] Retrived from the Internet (URL: <https://www.amazon.ca/Gardena-8011-CA-Classic-Hose-Trolley/dp/B00IZ5M1VS>).

Hozelock 60m Hose Reel (2475). [retrived on Aug. 16, 2019] Retrived from the Internet (URL: <https://www.bradshawsdirect.co.uk/hozelock-60m-hose-reel-2475>).

Hozelock 2475-7230-Y Hose Reel Set (W/30M Maxi-Plus Hose). [retrived on Aug. 16, 2019] Retrived from the Internet (URL: <https://www.fareastfloragarden.com/hozelock-2475-7230-y-hose-reel-set-w-30m-maxi-plus-hose.html>).

Hose Reel Truck with 200 Foot Capacity. [retrived on Aug. 16, 2019] Retrived from the Internet (URL: <https://www.yardbutlerstore.com/product/hose-reel-truck-with-200-foot-capacity/>).

Claber Metal 40 Ground Hose Reel. [retrived on Aug. 16, 2019] Retrived from the Internet (URL: https://www.amazon.co.uk/Claber-Metal-40-Ground-Hose-Reel/dp/B003SEEKMY/ref=sr_1_1?keywords=claber+metal+40&qid=1565963578&s=gateway&sr=8-1).

Amflo Manual Air Hose Reel ¾"×75. [retrived on Aug. 16, 2019] Retrived from the Internet (URL: <https://www.houzz.com/products/amflo-manual-air-hose-reel-3-8x75-prvw-vr~380367070>).

Hozelock 60m 2 in 1 Hose Reel with 50m Hose.[retrived on Aug. 16, 2019] Retrived from the Internet (URL: https://www.amazon.co.uk/Hozelock-60m-Hose-Reel-50m/dp/B003FXF5E0/ref=pd_sbs_86_3/257-5687379-7726232?).

NTSO Hose Reel W/Hose 12MM×15M-(1110). [retrived on Aug. 16, 2019] Retrived from the Internet (URL: <https://eezee.sg/product/intso-hose-reel-w-hose-12-mmx-15-m-1110-05d30f2921>).

Hozelock Hose Reel Cart with Hose, 50m Catalogue No. 212-5004. [retrived on Aug. 16, 2019] Retrived from the Internet (URL: <https://www.garden4less.co.uk/hozelock-60m-hose-cart-with-50m-hose.asp>).

COXREELDM Series Dolly Portable Manual Rewind Hose Reels. [retrived on Aug. 16, 2019] Retrived from the Internet (URL: <https://www.hoses.co.uk/HOSE-REELS/PORTABLE/COXREEL-DM-SERIES-DOLLY-PORTABLE-MANUAL-REWIND-HOSE-REELS>).

Pope Handy Hose Reel. [retrived on Aug. 16, 2019] Retrived from the Internet (URL: <https://www.farmlands.co.nz/Online-Shop/Farm-Merchandise/Garden-Care/Irrigation-Products/Pope-Handy-Hose-Reel/>).

Gardena Classic wall-fixed Hose Reel 50 Set: Mobile hose reel, wall-mountable to save space and can be removed at any time, with a 20-m hose, spray nozzle, and system parts (8009-20). [retrived on Aug. 16, 2019] Retrived from the Internet (URL: <https://www.amazon.co.uk/GARDENA-Classic-wall-fixed-Hose-Reel/dp/B004Z54Y94>).

Hozelock 2431 45m Assembled Hose Reel & 25 Metres of 12.5mm Hose. [retrived on Aug. 16, 2019] Retrived from the Internet (URL: <https://www.gardenmachinesltd.co.uk/hozelock-2431-45m-assembled-hose-reel-25-metres-of-125mm-hose-34699-p.asp>).

Air Hose Reel 50m×x10mm—Heavy Duty—HRO300. [retrived on Aug. 16, 2019] Retrived from the Internet (URL: <https://www.airtoolswa.com.au/products/hoses-and-fittings/reels/air-hose-reel-heavy-duty-hro300/>).

Gardena Hose Reel Set Article No. 2691-20. [retrived on Aug. 16, 2019] Retrived from the Internet (URL: <https://www.gardena.com/int/products/watering/hose-reel/hose-reel-set/901009001/>).

Hozelock 2 in 1 Assembled Reel+25m M/P+ fittings/nozzle (2431). [retrived on Aug. 16, 2019] Retrived from the Internet (URL: <https://www.homeleigh.co.uk/product/hozelock-2-in-1-reel25m-m-p-hose/>).

Kingfisher Hose Reel Wall Mounted Portable Green 45m. [retrived on Aug. 16, 2019] Retrived from the Internet (URL: <https://www.amazon.co.uk/Kingfisher-650-Hose-Floor-Mount/dp/B000WGZEJ4>).

30M Hose Reel Cart Trolley Set. [retrived on Aug. 16, 2019] Retrived from the Internet (URL: <https://www.jmart.co.uk/products/30m-hose-reel-cart-trolley-set>).

Galvanised manual rewind reelsAlba Krapf AK2580 portable manual rewind. [retrived on Aug. 16, 2019] Retrived from the Internet (URL: <http://www.redashe.com/?q=content/alba-krapf-ak2580-portable-manual-rewind>).

Oertzen Hose reel trolley HDL. [retrived on Aug. 16, 2019] Retrived from the Internet (URL: <https://www.oertzen-gmbh.com/accessories/oertzen-tire-tec/hose-reel-trolley-hdl/>).

Haemmerlin Two Wheel Hose Reel 85m. [retrived on Aug. 16, 2019] Retrived from the Internet (URL: <https://www.gardenstreet.co.uk/greenhouses-grow-your-own-c5/growing-watering-c68/hoses-sprinklers-c140/haemmerlin-two-wheel-hose-reel-85m-p3343>).

80m Hose Reel Trolley; Product Code: WS80Z. [retrived on Aug. 16, 2019] Retrived from the Internet (URL: <https://wolfgarten-tools.co.uk/products/ranges/multi-change-tools/accessories-and-gift-sets/ws80z-80m-hose-reel-trolley>).

Garant; Hose Reel Carts. [retrived on Aug. 16, 2019] Retrived from the Internet (URL: <https://www.garant.com/tools/c/garden-construction-tools/hose-reels/hose-reel-carts/>).

Garant; Metal Hose Reel Cart. [retrived on Aug. 16, 2019] Retrived from the Internet (URL: <https://www.garant.com/tools/c/garden-construction-tools/hose-reels/hose-reel-carts/metal-hose-reel-cart/>).
Garant; Poly Hose Reel Carts. [retrived on Aug. 16, 2019] Retrived from the Internet (URL: <https://www.garant.com/tools/c/garden-construction-tools/hose-reels/hose-reel-carts/poly-hose-reel-carts/>).

* cited by examiner

Primary Examiner — Karen E Kearney

Assistant Examiner — Kristin E Reed

(74) *Attorney, Agent, or Firm* — Lavery, De Billy, LLP;
Gwendoline Bruneau

(57) **CLAIM**

The ornamental design for a hose reel, as shown and described.

DESCRIPTION

FIG. 1 is perspective view of a hose reel showing our new design;

FIG. 2 is a first side view thereof;

FIG. 3 is a second side view thereof;

FIG. 4 is a front view thereof;

FIG. 5 is a rear view thereof;

FIG. 6 is a top view thereof; and,

FIG. 7 is a bottom view thereof.

The broken lines shown in FIGS. 1-7 depict portions of the hose reel, that form no part of the claimed design.

1 Claim, 7 Drawing Sheets

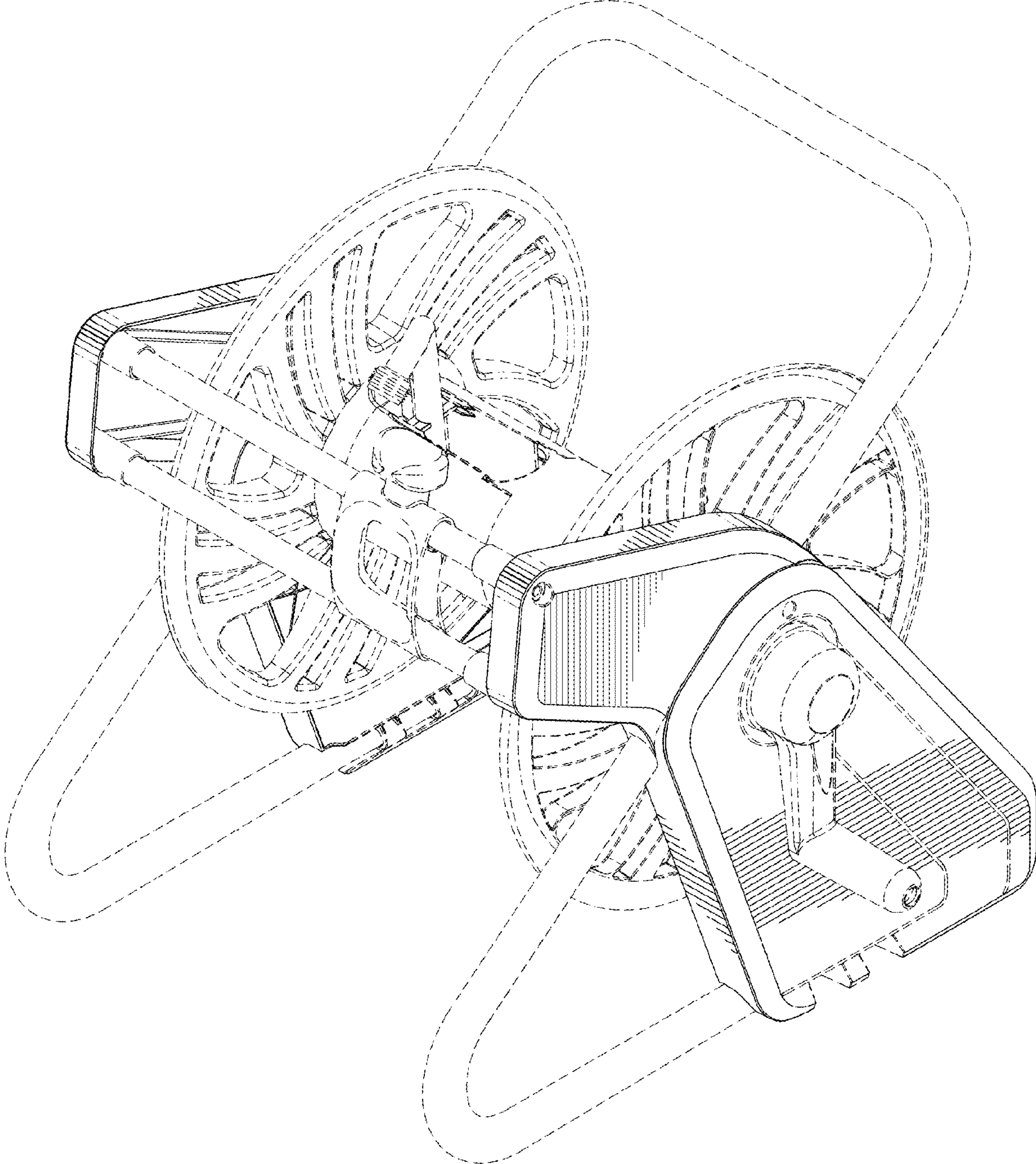


FIG-1

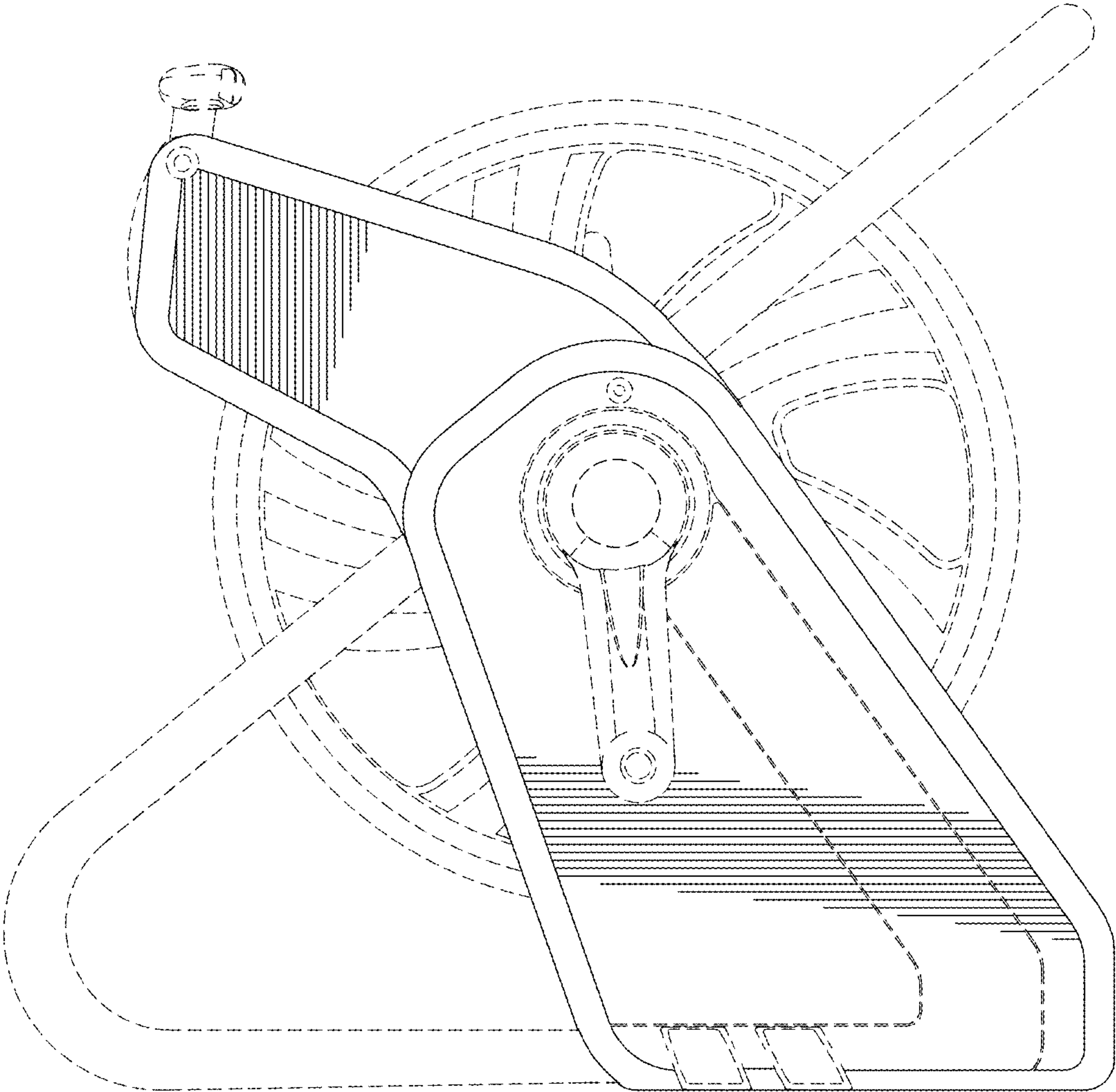


FIG. 2

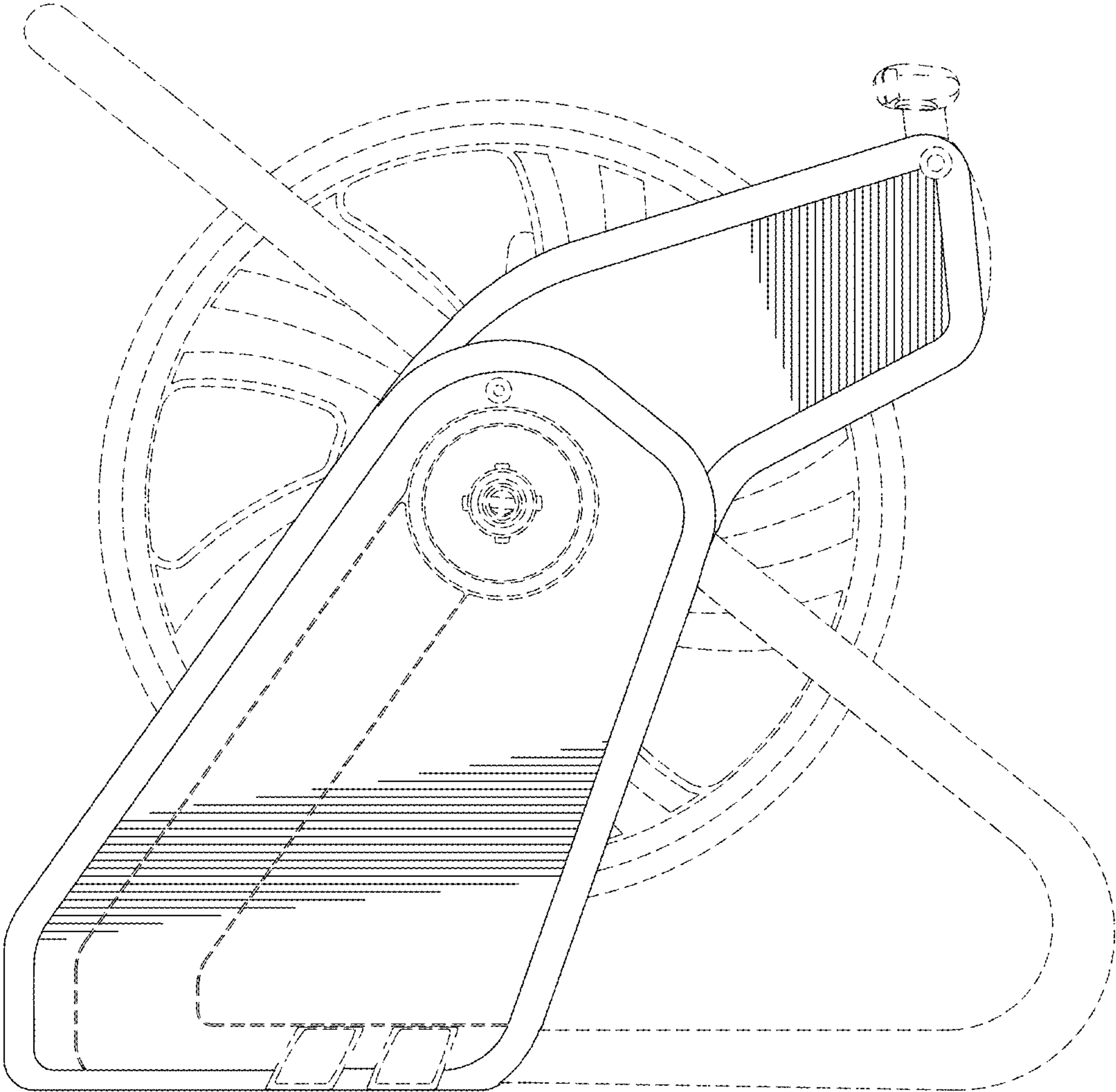


FIG. 3

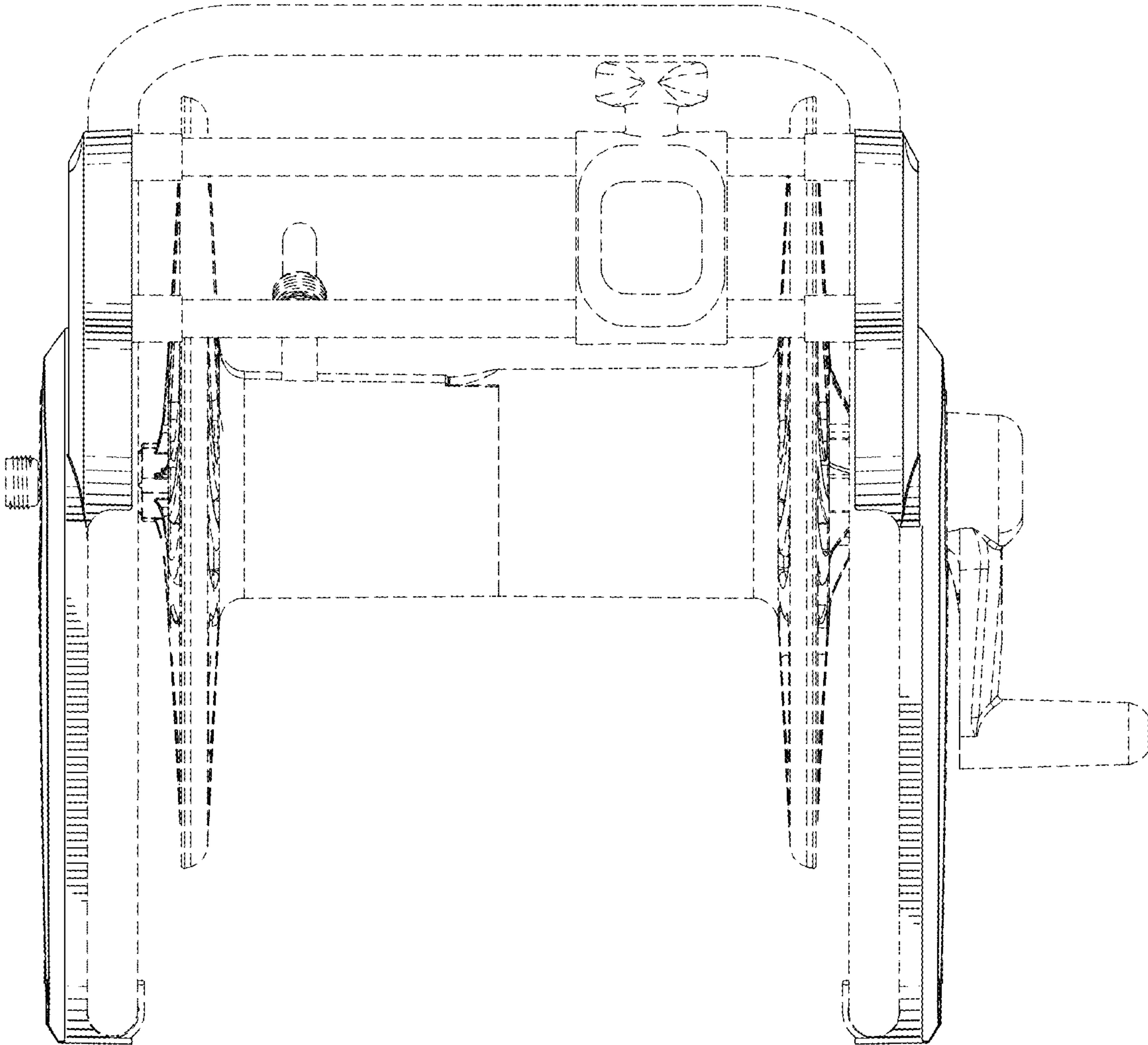


Fig-4

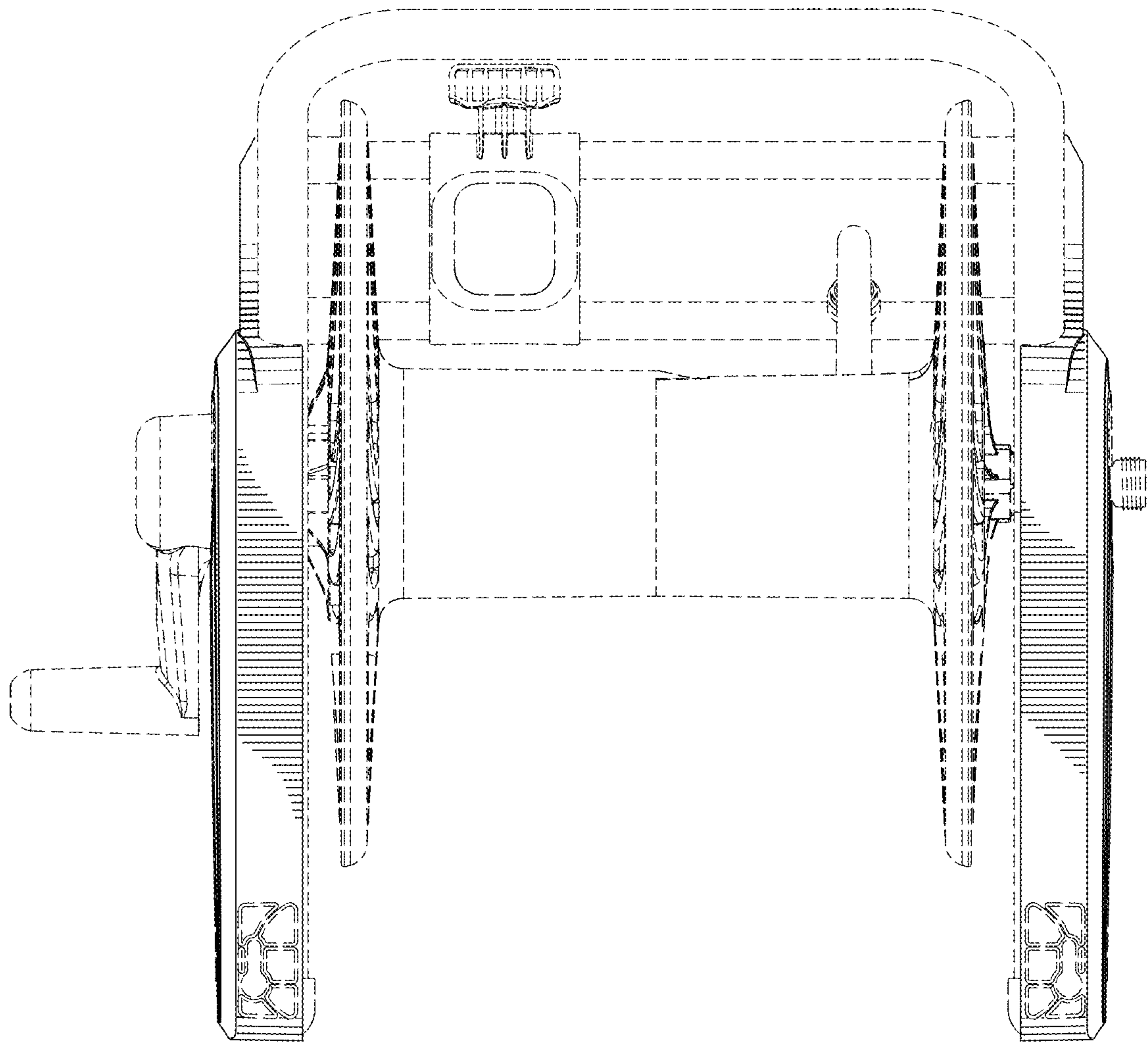


Fig. 5

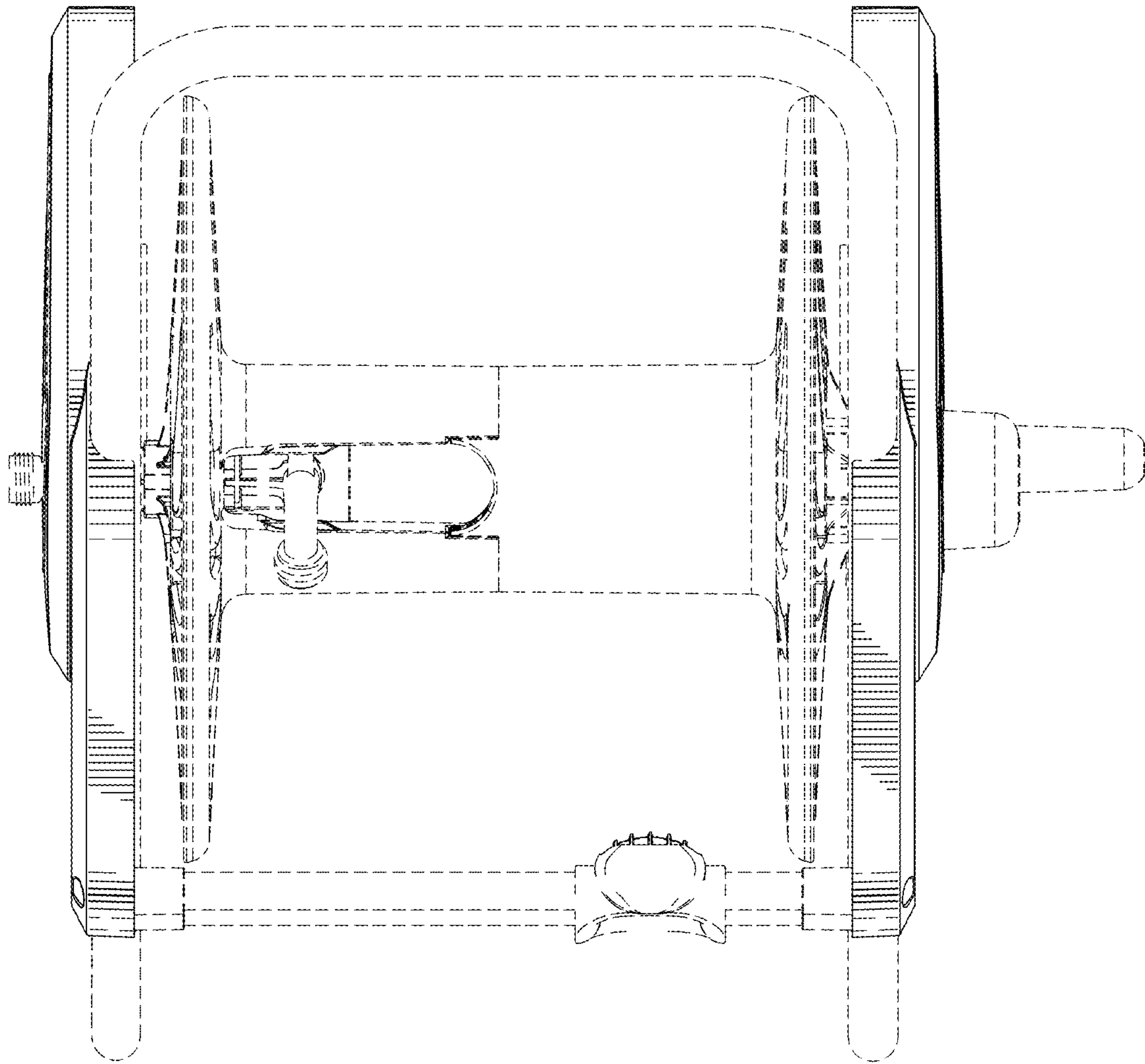


Fig. 6

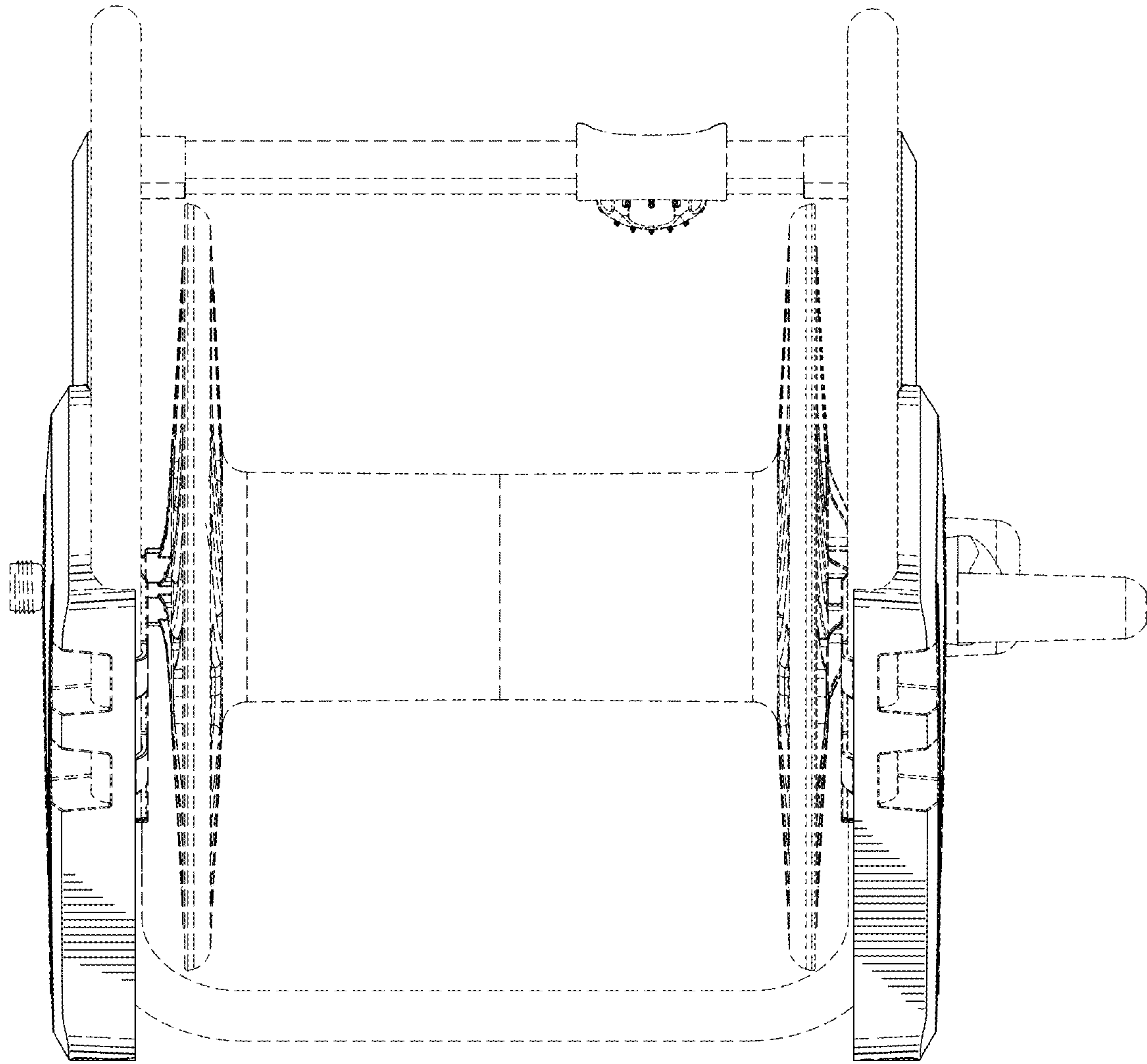


Fig-7