



US00D879592S

(12) **United States Design Patent**
Phipps

(10) **Patent No.:** **US D879,592 S**

(45) **Date of Patent:** **** Mar. 31, 2020**

(54) **CURTAIN CORD GUIDE**

(71) Applicant: **MarketMakers (Aust.) Pty Ltd**,
Smeaton Grange, New South Wales
(AU)

(72) Inventor: **Joshua Phipps**, Smeaton Grange (AU)

(73) Assignee: **MARKETMAKERS (AUST.) PTY LTD**,
New South Wales (AU)

(**) Term: **15 Years**

(21) Appl. No.: **29/668,468**

(22) Filed: **Oct. 30, 2018**

(51) **LOC (12) Cl.** **06-06**

(52) **U.S. Cl.**
USPC **D8/356**

(58) **Field of Classification Search**
USPC D8/367, 356, 354, 349, 105, 380, 360.1,
D8/368; 24/599.9; D7/356, 354, 360.1,
D7/368

CPC B65H 57/16; B63B 21/045; F16B 45/02
See application file for complete search history.

(56) **References Cited**

U.S. PATENT DOCUMENTS

- 2,396,836 A * 3/1946 Ellinwood F16L 3/2235
174/135
- 2,905,743 A * 9/1959 Sylvester H01B 17/16
174/73.1
- 5,671,505 A * 9/1997 Anscher F16G 11/101
24/115 G
- D396,799 S * 8/1998 Jones D8/349
- 5,884,695 A * 3/1999 Brownlee F22B 37/107
122/DIG. 13
- D430,005 S * 8/2000 Stearns D8/380
- D436,399 S * 1/2001 Poland D23/322
- 6,431,500 B1 * 8/2002 Jacobs F16L 3/13
24/129 R
- D490,692 S * 6/2004 Williams D8/356

- D494,450 S * 8/2004 Schultz D8/356
- 7,617,574 B2 * 11/2009 Tracy F16G 11/101
24/115 G
- D618,985 S * 7/2010 Sjoqvist D8/356
- D635,447 S * 4/2011 Henry D8/356
- D682,791 S * 5/2013 Nikayin B65D 19/44
D13/152
- D686,995 S * 7/2013 Nikayin D13/152
- 8,539,645 B2 * 9/2013 Marocco A47H 3/08
160/178.1 R
- D698,226 S * 1/2014 Chance D13/156
- D698,227 S * 1/2014 Houser D13/156

(Continued)

OTHER PUBLICATIONS

Notification of Material filed by a Third Party received Oct. 9, 2019
for related Australian Application No. 2018236907.

Primary Examiner — Cynthia R Underwood
(74) *Attorney, Agent, or Firm* — Lewis Roca Rothgerber
Christie LLP

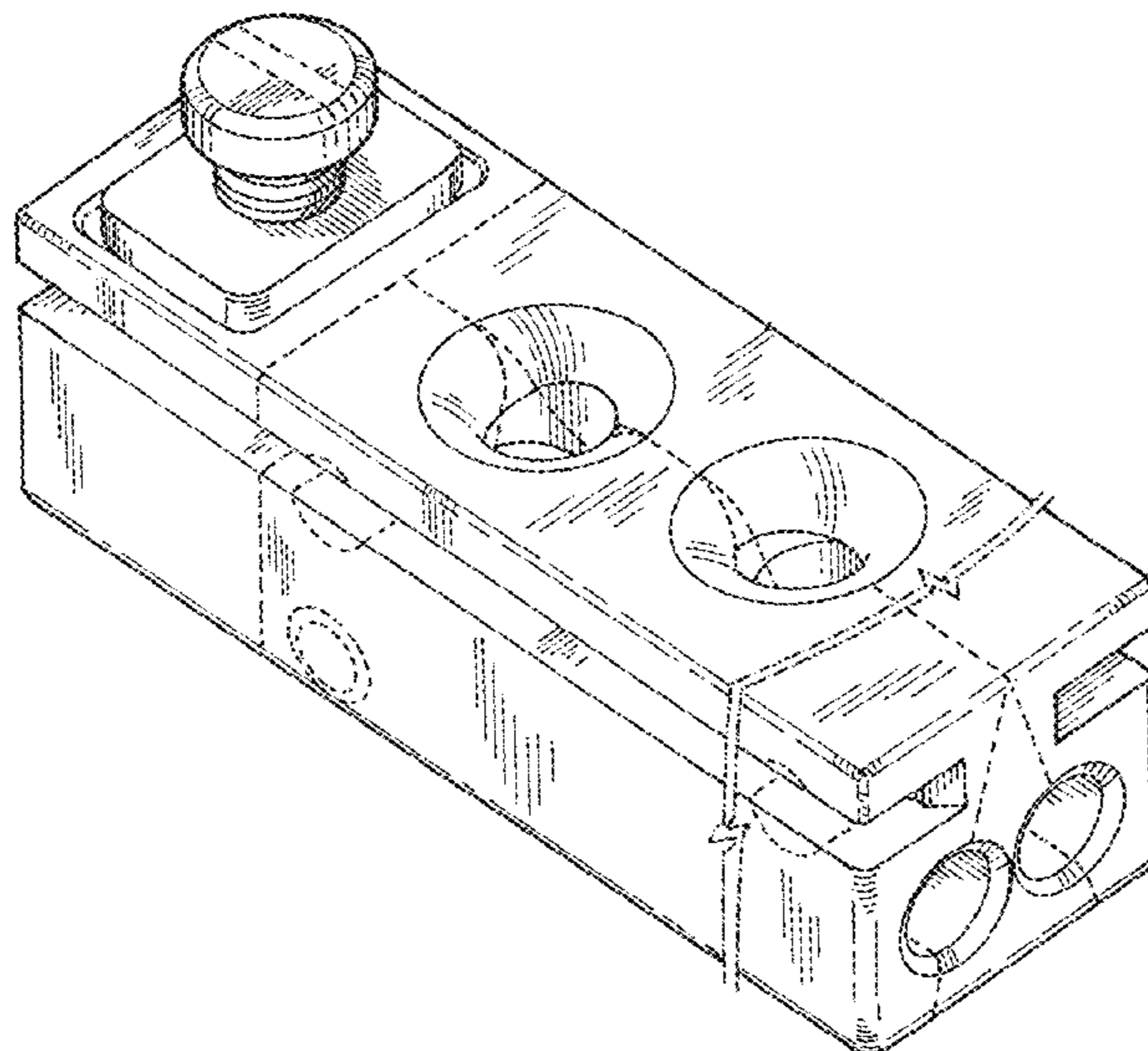
(57) **CLAIM**

The ornamental design for a curtain cord guide, as shown
and described.

DESCRIPTION

FIG. 1 is a perspective view of a curtain cord guide;
FIG. 2 is a front view thereof;
FIG. 3 is a rear view thereof;
FIG. 4 is a top view thereof;
FIG. 5 is a bottom view thereof;
FIG. 6 is a left side view thereof; and,
FIG. 7 is a right side view thereof.
The dash-dash lines illustrate features of the curtain cord
guide that form no part of the claimed design.
The pairs of parallel spaced apart dot-dash break lines
indicate that the appearance of any portion of the curtain
cord guide between the dot-dash break lines forms no part of
the claimed design.

1 Claim, 4 Drawing Sheets



(56)

References Cited

U.S. PATENT DOCUMENTS

D698,228	S *	1/2014	Chance	D13/156
D698,229	S *	1/2014	Chance	D13/156
D698,627	S *	2/2014	Chance	D13/156
8,650,720	B2 *	2/2014	Wicker	A47H 3/02 160/178.2
D706,609	S *	6/2014	Huebl	D8/356
D713,947	S *	9/2014	Jensen	D23/322
D715,623	S *	10/2014	Holtby	D8/356
8,910,803	B2 *	12/2014	Holtby	F16L 1/0246 211/70.4
8,935,832	B2 *	1/2015	Chuang	A47H 3/02 160/178.2
9,212,518	B2 *	12/2015	Mann	E06B 9/324
D746,667	S *	1/2016	Vaccaro	D8/376
D759,467	S *	6/2016	Franta	F16L 3/02 D8/356
D762,536	S *	8/2016	Wurzer	D12/174
9,677,583	B1 *	6/2017	Wong	F16B 2/12
D793,213	S *	8/2017	Heymann	D8/380
D816,465	S *	5/2018	Fortoloczki	D8/356
D824,749	S *	8/2018	Wright	D8/354
10,111,551	B1 *	10/2018	Wong	A47H 3/04
D835,497	S *	12/2018	Rindy	D8/356
D837,638	S *	1/2019	Sargent	D8/380
D840,795	S *	2/2019	Tribbett	B65D 63/109 D8/383
2008/0054143	A1 *	3/2008	Collins	F16L 3/02 248/227.2
2008/0121763	A1 *	5/2008	Mori	H02G 3/32 248/68.1
2010/0132979	A1 *	6/2010	Chen	F16L 3/223 174/135

* cited by examiner

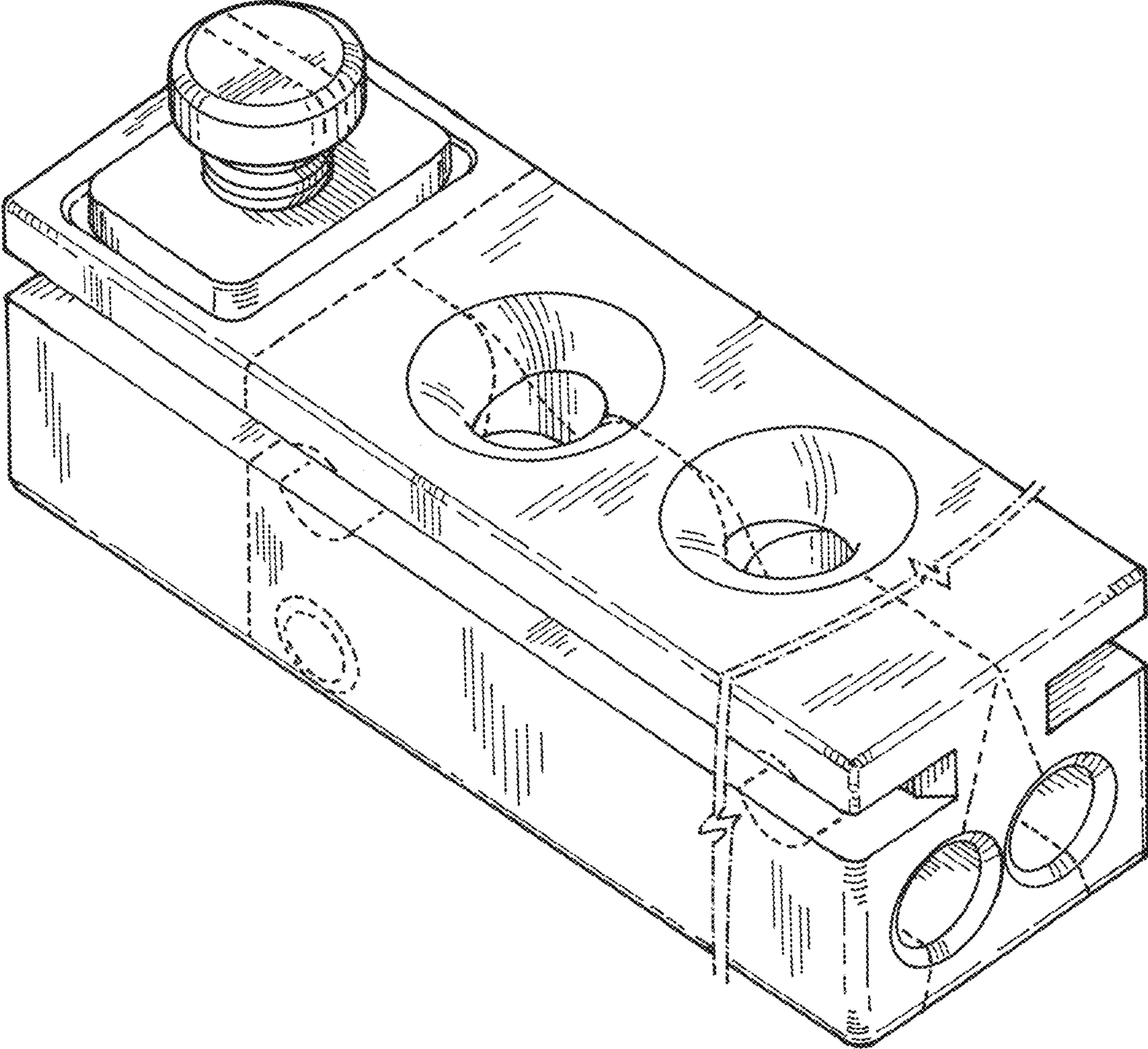


FIG.1

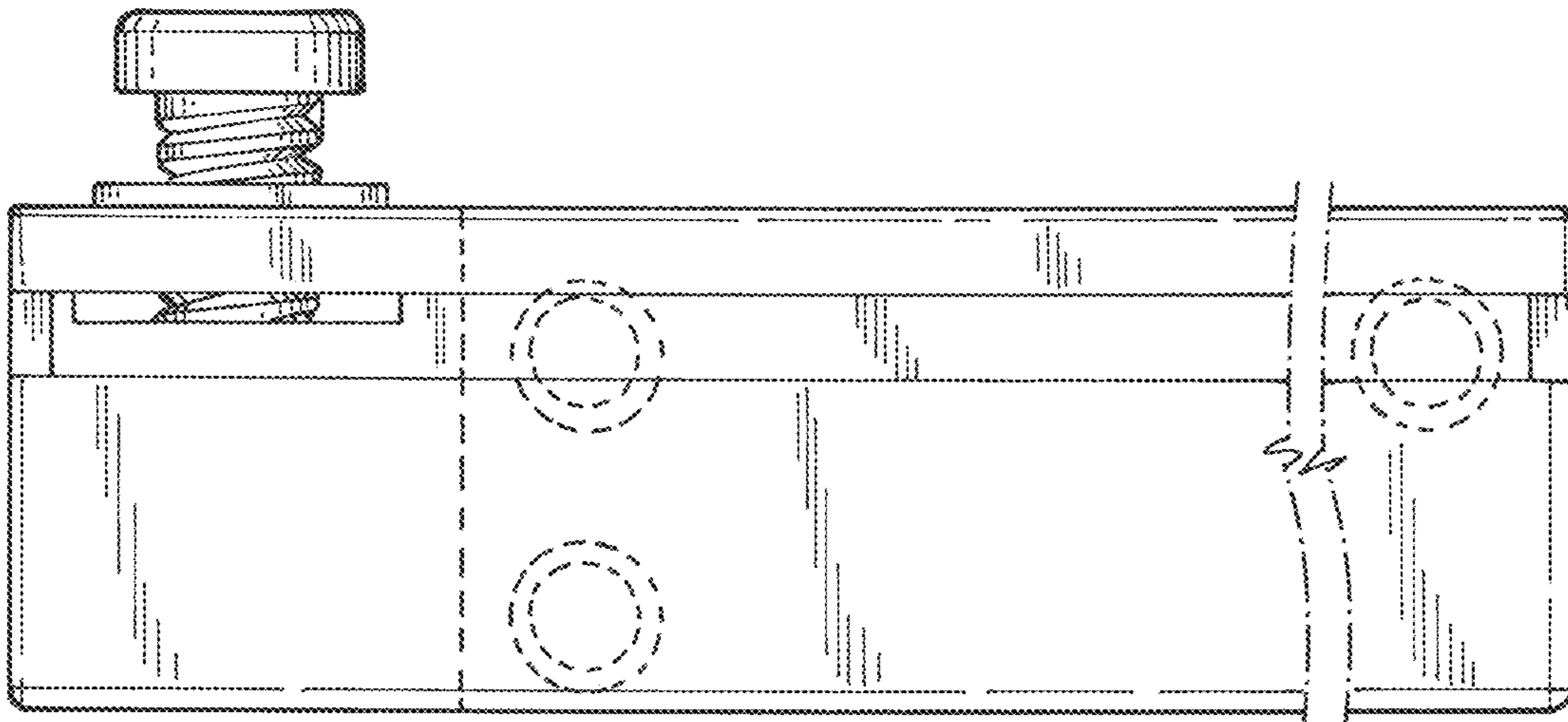


FIG. 2

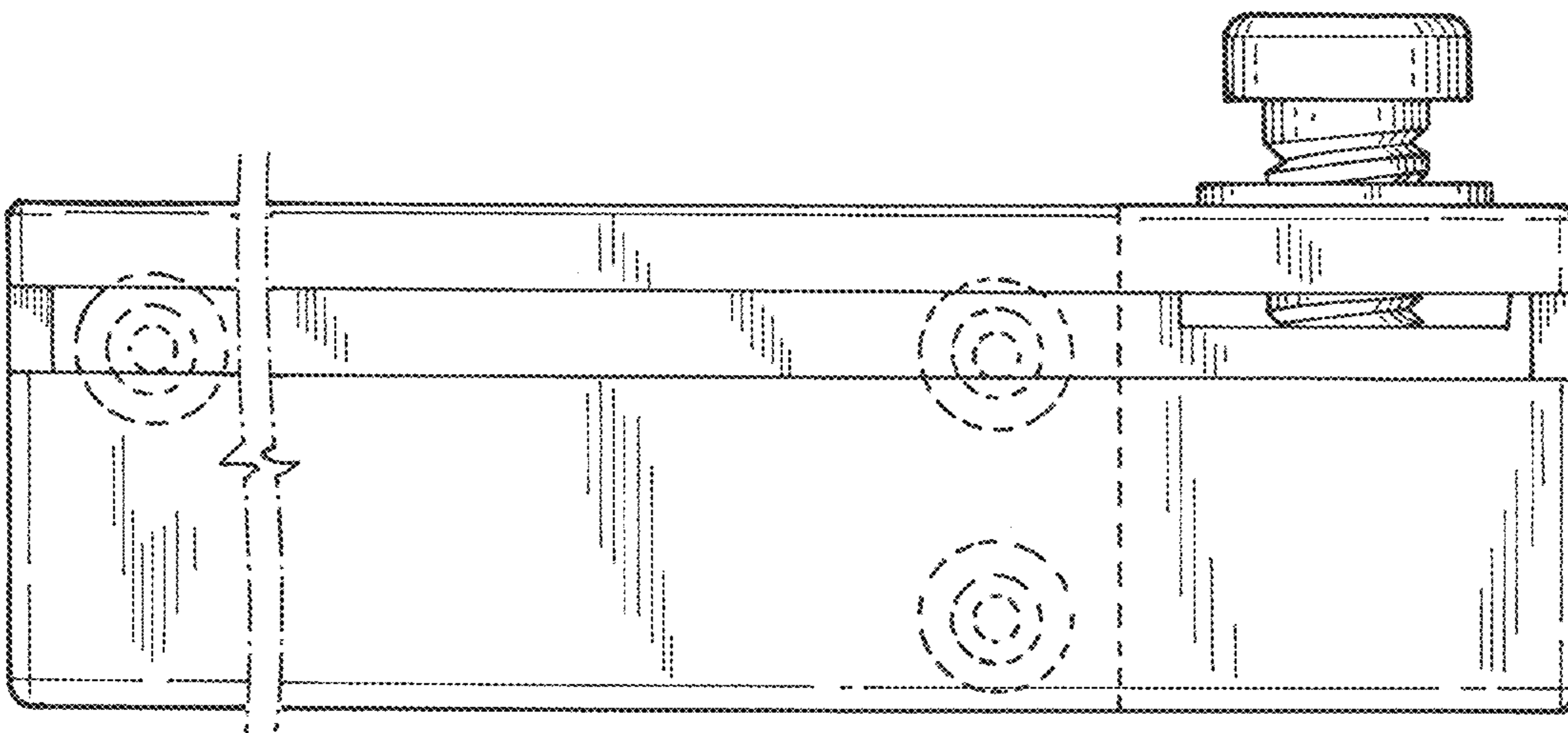


FIG. 3

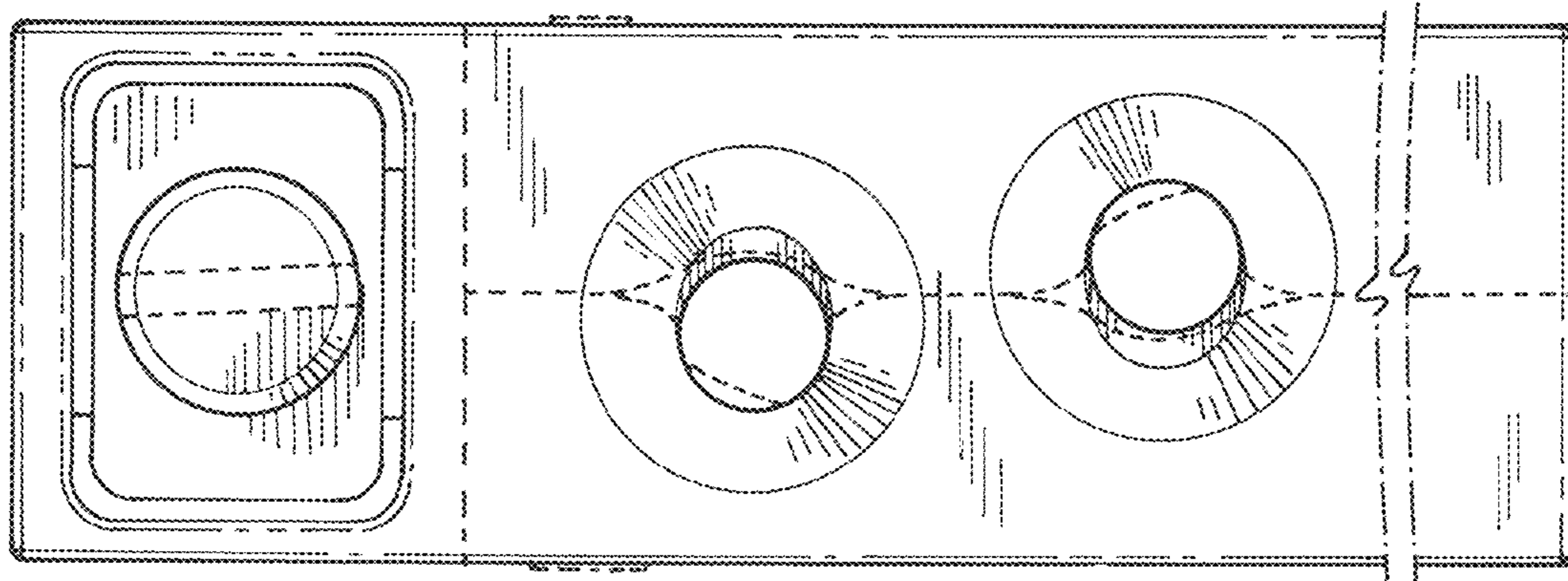


FIG. 4

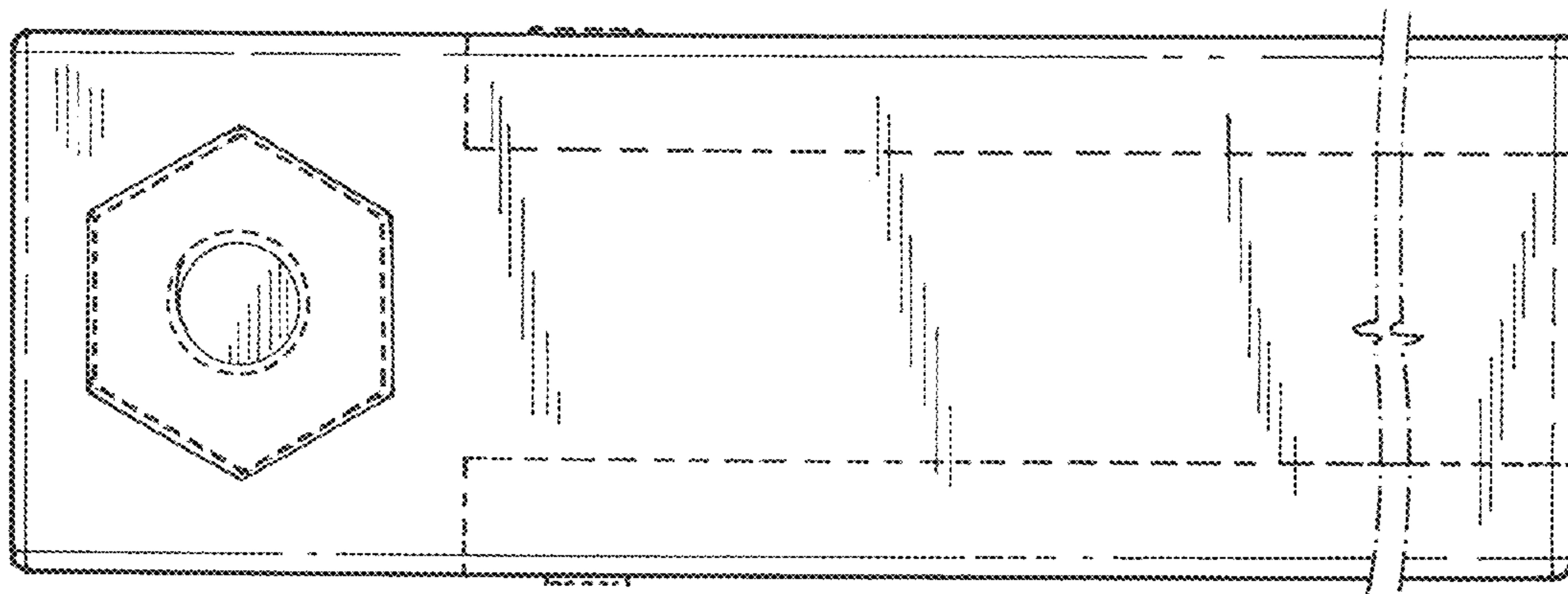


FIG. 5

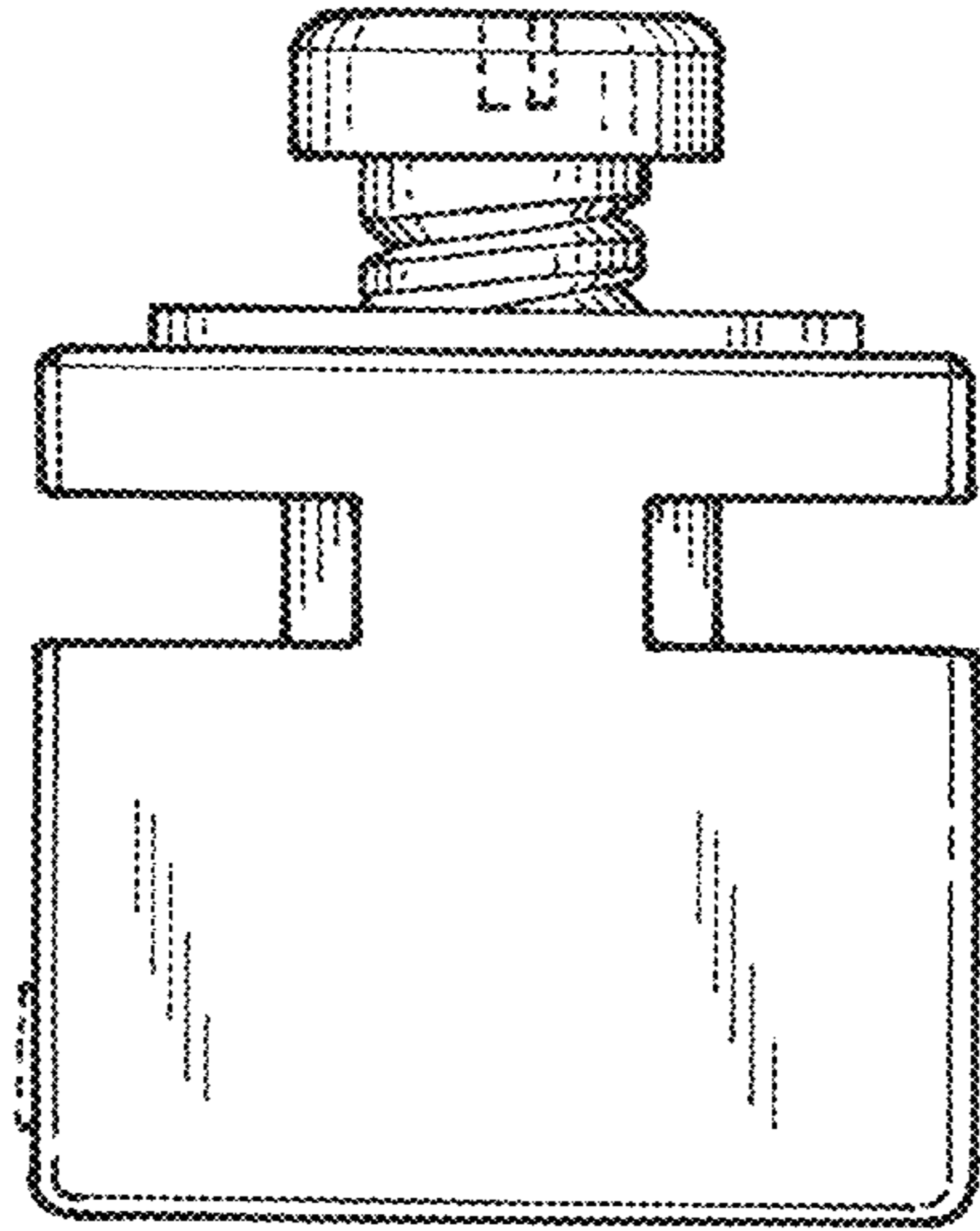


FIG. 6

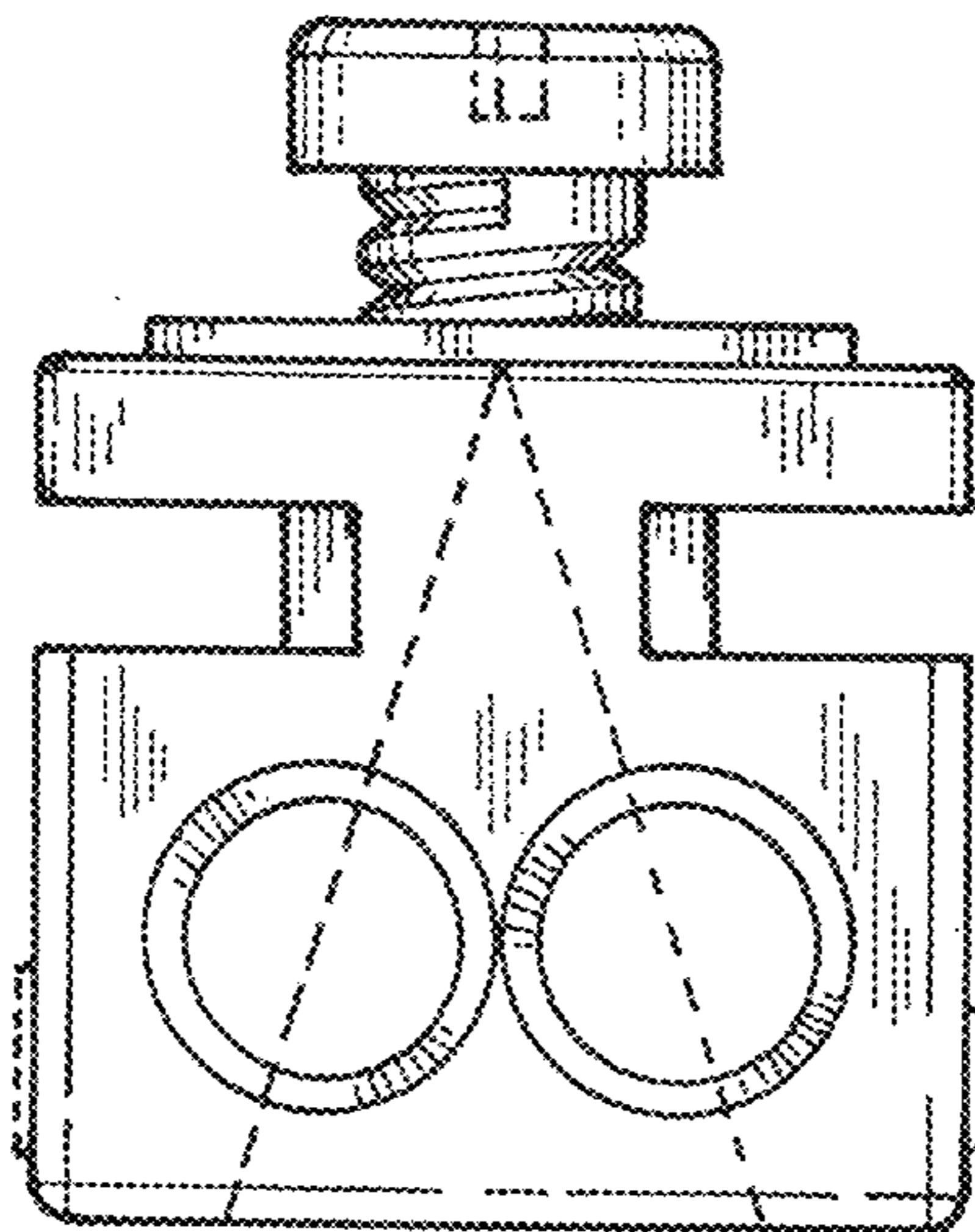


FIG. 7