



US00D879591S

(12) **United States Design Patent**  
**Weinerman et al.**

(10) **Patent No.:** **US D879,591 S**  
(45) **Date of Patent:** **\*\* Mar. 31, 2020**

- (54) **TIE DOWN**
- (71) Applicant: **The Eastern Company**, Cleveland, OH (US)
- (72) Inventors: **Lee S. Weinerman**, Medina, OH (US); **Fredrick L. Putzier**, Columbia Station, OH (US); **Marinel Rosu**, Strongsville, OH (US)
- (73) Assignee: **THE EASTERN COMPANY**, Cleveland, OH (US)
- (\*\*) Term: **15 Years**

- 5,774,948 A \* 7/1998 Petschke ..... B60P 7/0807  
24/265 AL
- 6,030,159 A \* 2/2000 Herrick ..... B60P 1/52  
410/101
- 6,138,975 A \* 10/2000 McDaid ..... B61D 45/001  
248/499
- 6,592,310 B2 \* 7/2003 Hyp ..... B60P 7/0807  
296/65.13
- 6,918,721 B2 \* 7/2005 Venton-Walters .... B60P 7/0807  
410/102
- 7,134,819 B2 \* 11/2006 Bullock ..... B60P 7/0807  
410/102
- D549,556 S \* 8/2007 Christie ..... D8/354
- D565,935 S \* 4/2008 Selby ..... D8/356
- 7,398,664 B1 \* 7/2008 Weinerman ..... E05B 1/0092  
292/207

- (21) Appl. No.: **29/697,667**
- (22) Filed: **Jul. 10, 2019**

**Related U.S. Application Data**

- (63) Continuation of application No. 29/642,066, filed on Mar. 27, 2018, now Pat. No. Des. 853,825.
- (51) **LOC (12) Cl.** ..... **08-05**
- (52) **U.S. Cl.**  
USPC ..... **D8/354**
- (58) **Field of Classification Search**  
USPC ..... D12/223; D8/382, 349, 354, 384, 367  
CPC ..... B61D 45/00  
See application file for complete search history.

(56) **References Cited**

**U.S. PATENT DOCUMENTS**

- 4,907,921 A \* 3/1990 Akright ..... B61D 45/001  
410/111
- D307,107 S \* 4/1990 Wensien ..... D8/306
- D314,133 S \* 1/1991 Issard ..... D12/317
- 5,052,869 A \* 10/1991 Hansen, II ..... B60P 7/0807  
410/101
- 5,180,263 A \* 1/1993 Flowers, Jr. .... B60P 7/0807  
410/101

(Continued)

*Primary Examiner* — Keli L Hill  
*Assistant Examiner* — Harold E Blackwell, II  
(74) *Attorney, Agent, or Firm* — Ralph H. Jocke; Walker & Jocke

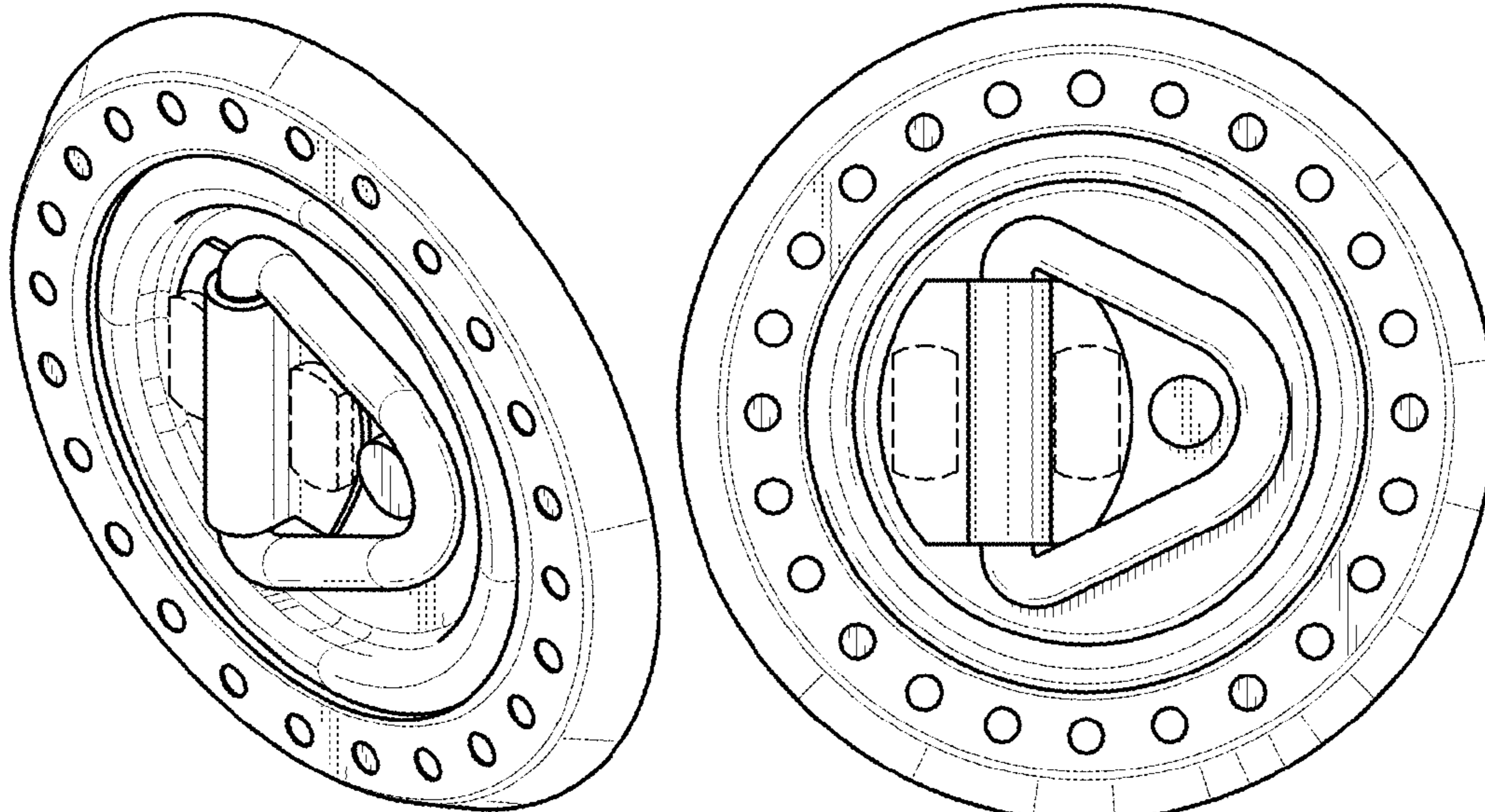
(57) **CLAIM**

An ornamental design for a tie down, as shown and described.

**DESCRIPTION**

FIG. 1 is a front top right perspective view of a tie down showing our new design.  
FIG. 2 is a front top left perspective view thereof.  
FIG. 3 is a front bottom right perspective view thereof.  
FIG. 4 is front bottom left perspective view thereof.  
FIG. 5 is a front view thereof.  
FIG. 6 is a right side view thereof.  
FIG. 7 is a left side view thereof.  
FIG. 8 is a top side view thereof; and,  
FIG. 9 is a bottom side view thereof.  
The broken lines in the drawings depict portions of the tie down that form no part of the claimed design.

**1 Claim, 3 Drawing Sheets**



(56)

**References Cited**

U.S. PATENT DOCUMENTS

7,686,551 B2 \* 3/2010 Grasso ..... B60P 7/0807  
410/106  
D619,954 S \* 7/2010 Le ..... D12/223  
8,075,232 B2 \* 12/2011 Le ..... B61D 45/001  
410/106  
9,511,705 B1 \* 12/2016 Egigian ..... B60P 7/0807  
D853,825 S \* 7/2019 Weinerman ..... D8/354  
D857,479 S \* 8/2019 Ocklenburg ..... D8/343

\* cited by examiner

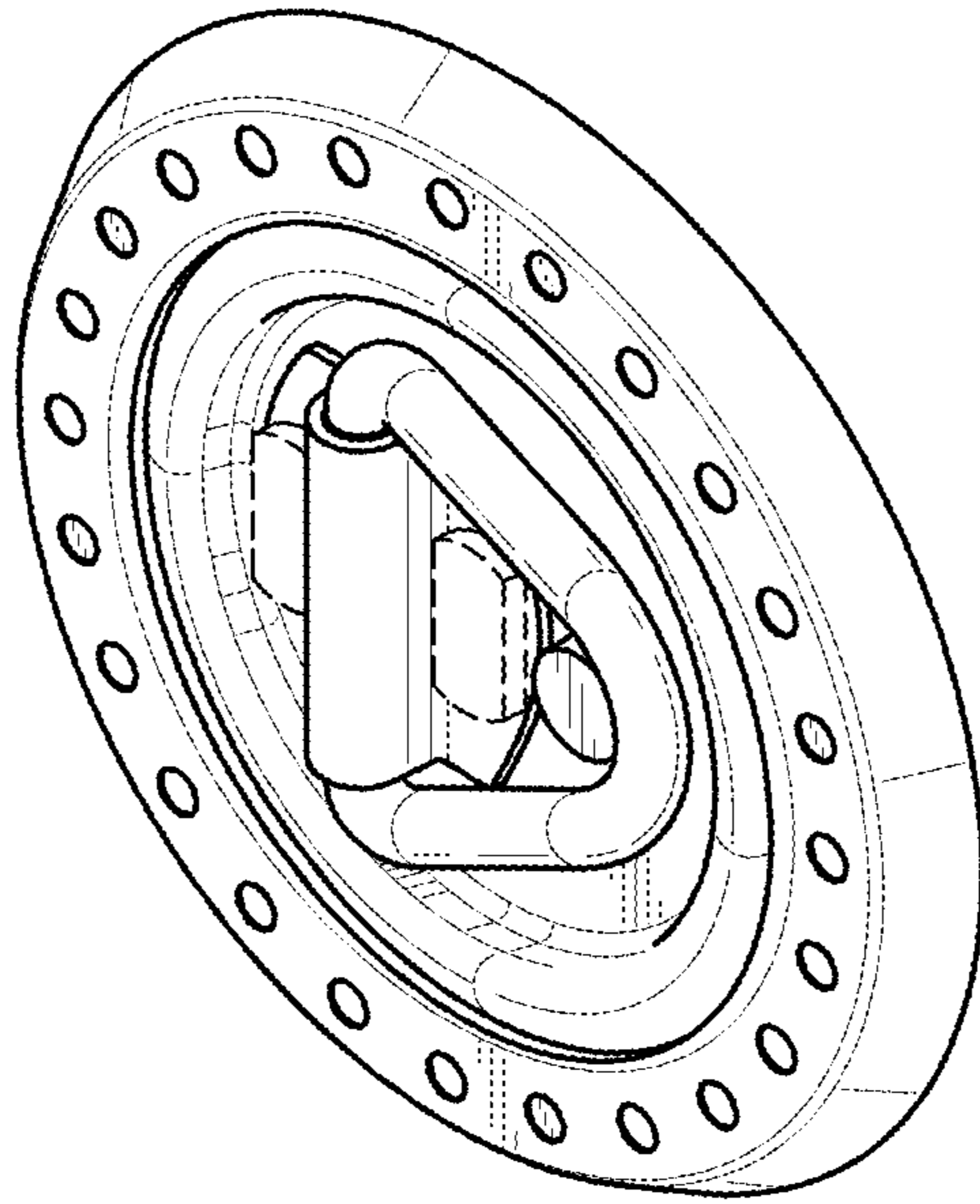


FIG. 1

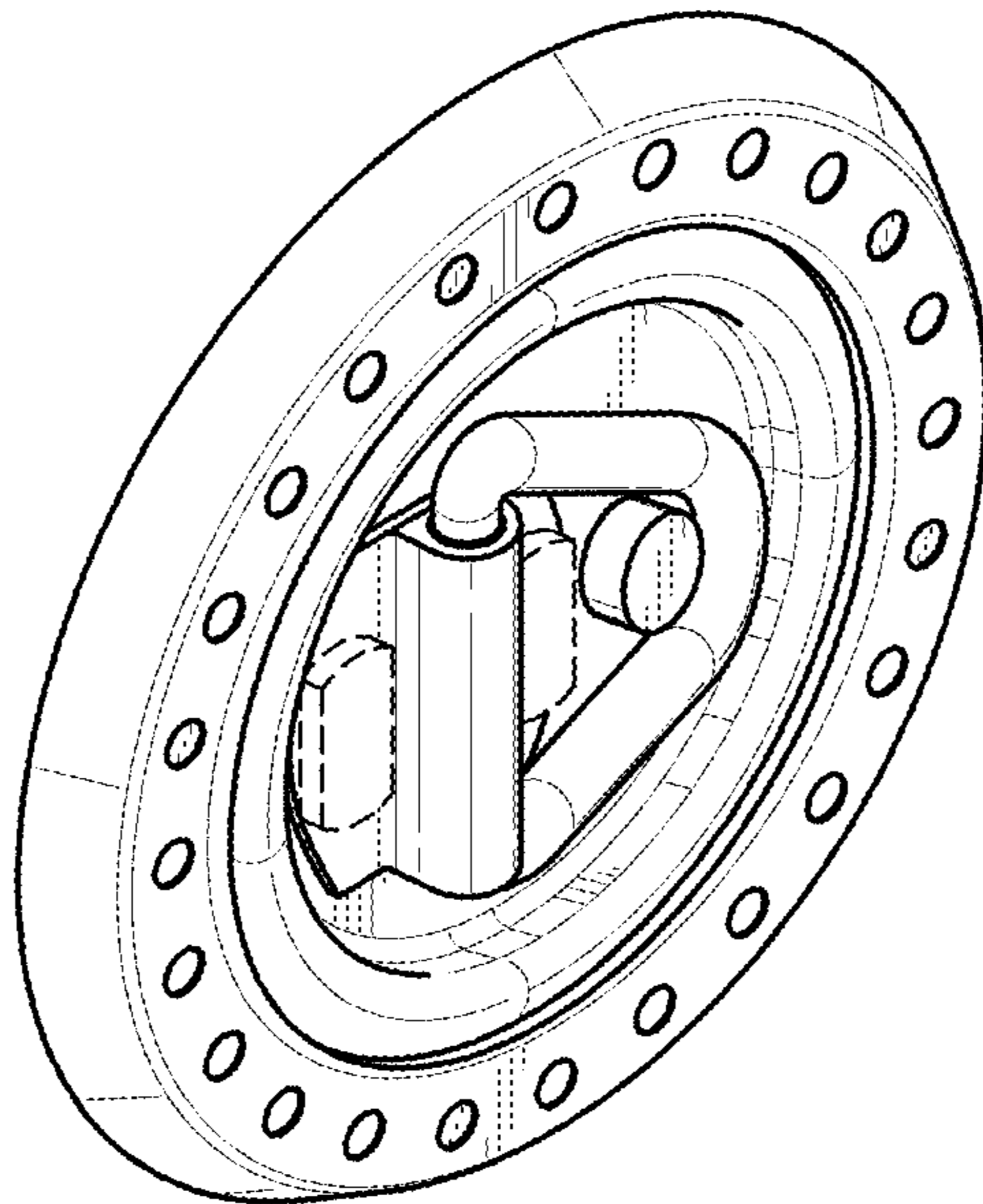


FIG. 2

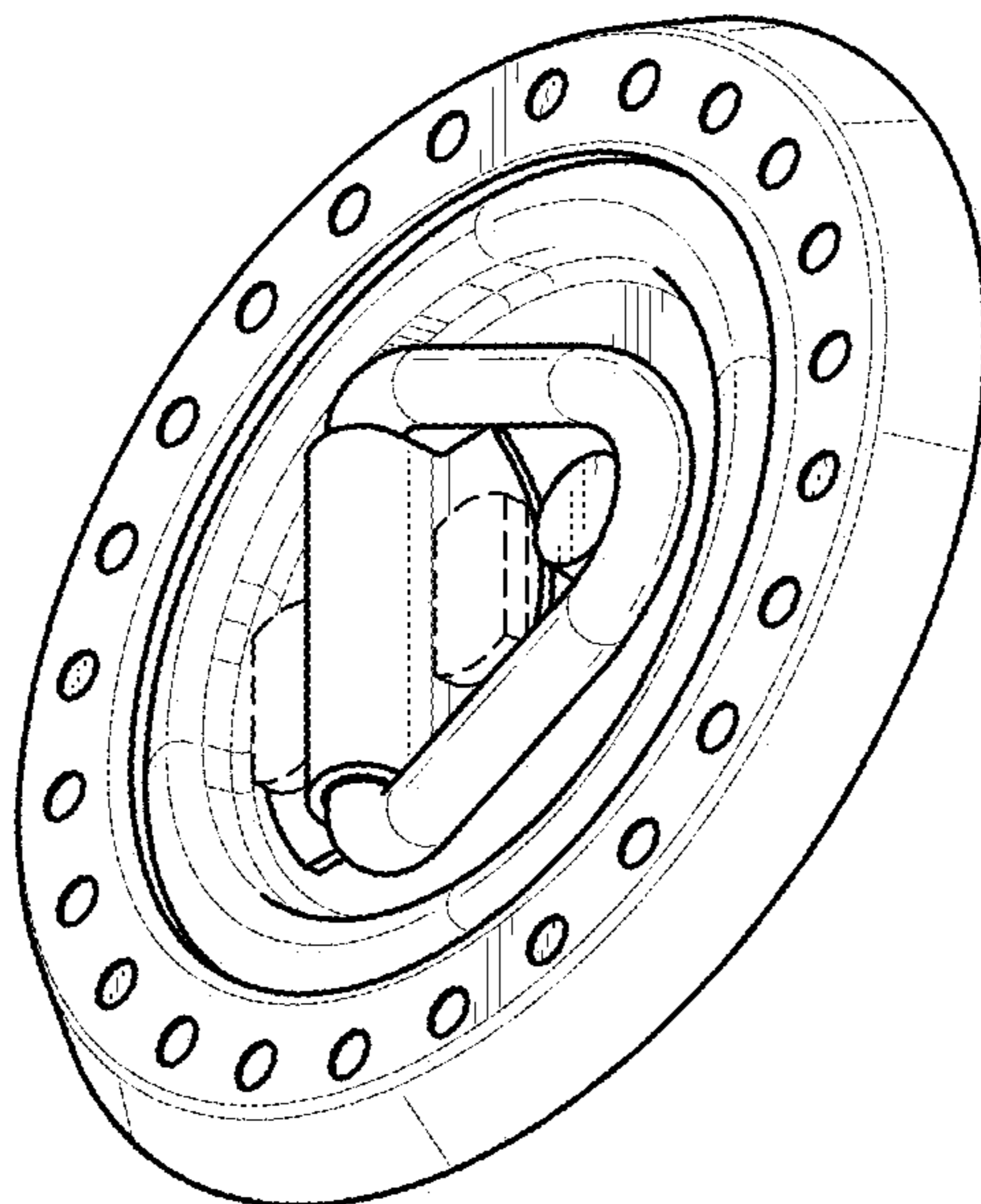


FIG. 3

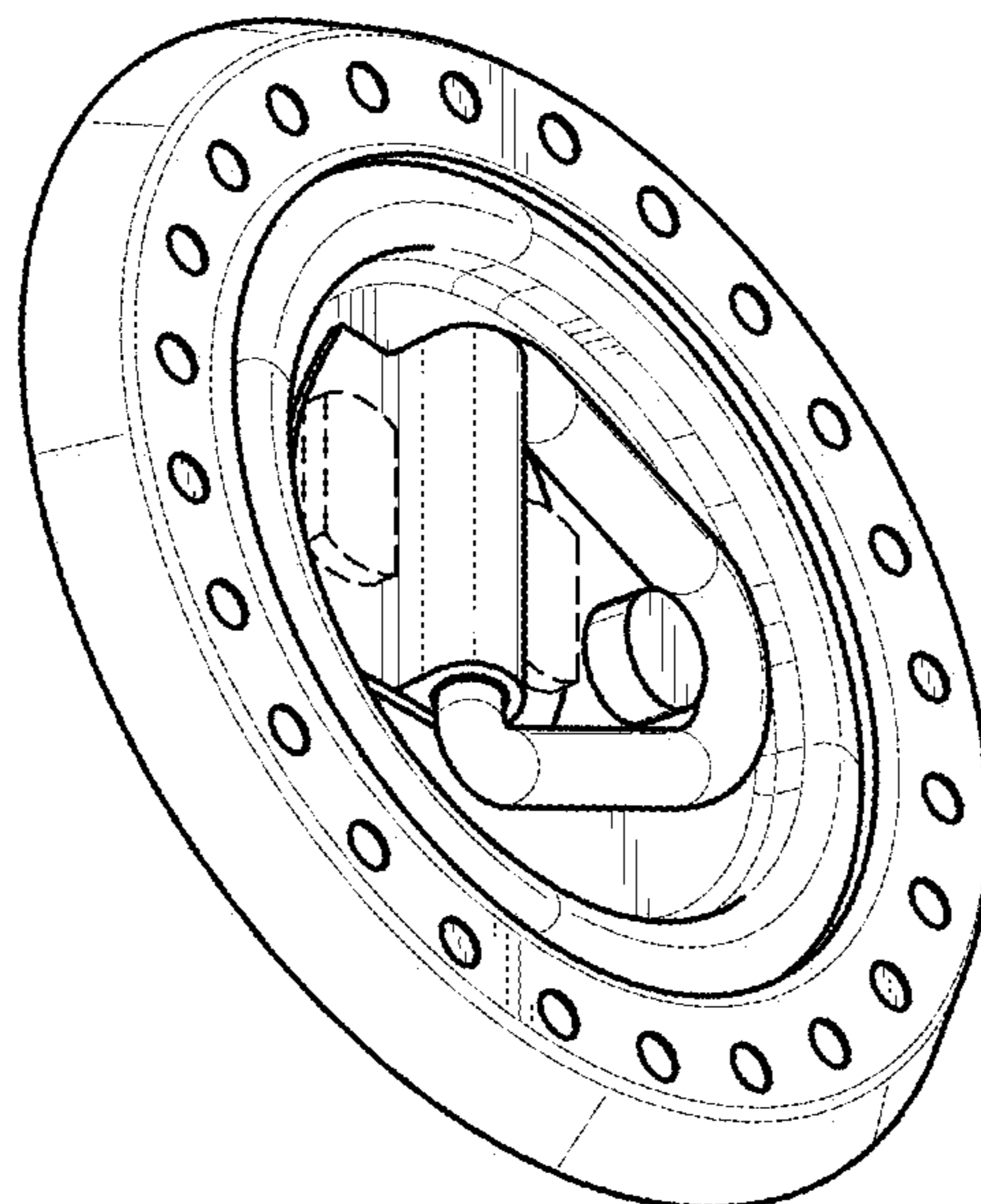


FIG. 4



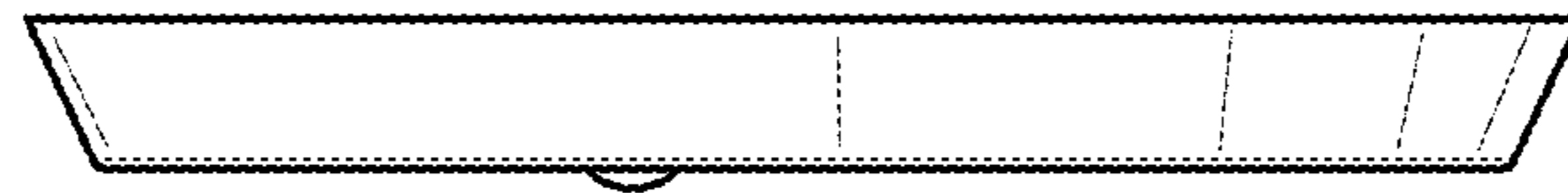


FIG. 8



FIG. 7

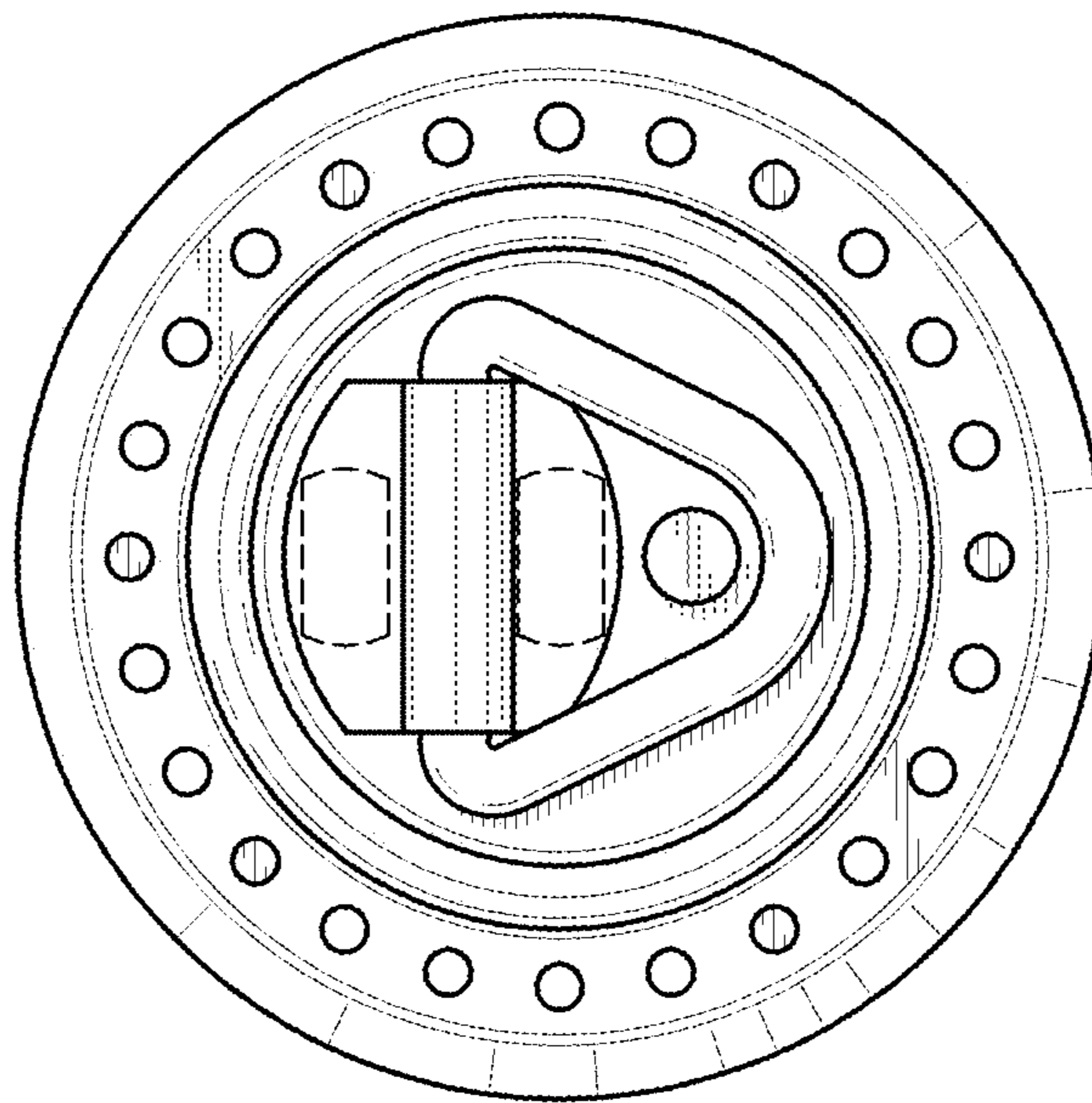


FIG. 5

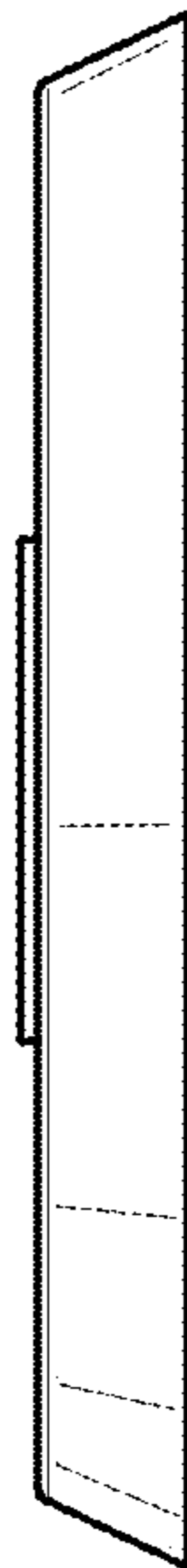


FIG. 6

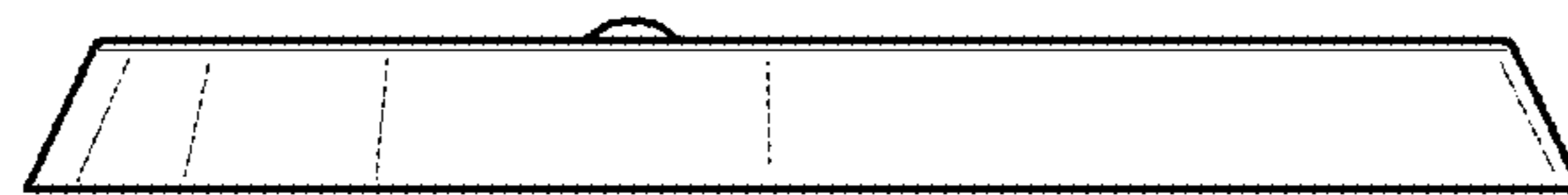


FIG. 9