



US00D879590S

(12) **United States Design Patent**  
**Jaramillo**

(10) **Patent No.:** **US D879,590 S**

(45) **Date of Patent:** **\*\* Mar. 31, 2020**

(54) **SUPPORT LEG**

B29C 44/18; H02G 3/18; F16C 21/00;  
E05D 3/00; E05D 3/06

(71) Applicant: **Concept Clean Energy, LLC**, Laguna Beach, CA (US)

See application file for complete search history.

(72) Inventor: **Elliot L. Jaramillo**, Berkeley, CA (US)

(56) **References Cited**

(73) Assignee: **Concept Clean Energy, LLC**, Laguna Beach, CA (US)

U.S. PATENT DOCUMENTS

(\*\*) Term: **15 Years**

D480,291 S *	10/2003	Sorkin	.....	D8/354
7,322,158 B1 *	1/2008	Sorkin	.....	E04C 5/167 52/649.8
D721,262 S *	1/2015	Parham	.....	D8/354
D761,640 S *	7/2016	Cave	.....	D8/380
D800,527 S *	10/2017	Garber	.....	D8/70

(21) Appl. No.: **29/666,598**

\* cited by examiner

(22) Filed: **Oct. 15, 2018**

(51) **LOC (12) Cl.** ..... **08-06**

*Primary Examiner* — Randall H Gholson

(52) **U.S. Cl.**

(74) *Attorney, Agent, or Firm* — FisherBroyles, LLP

USPC ..... **D8/354**

(58) **Field of Classification Search**

(57) **CLAIM**

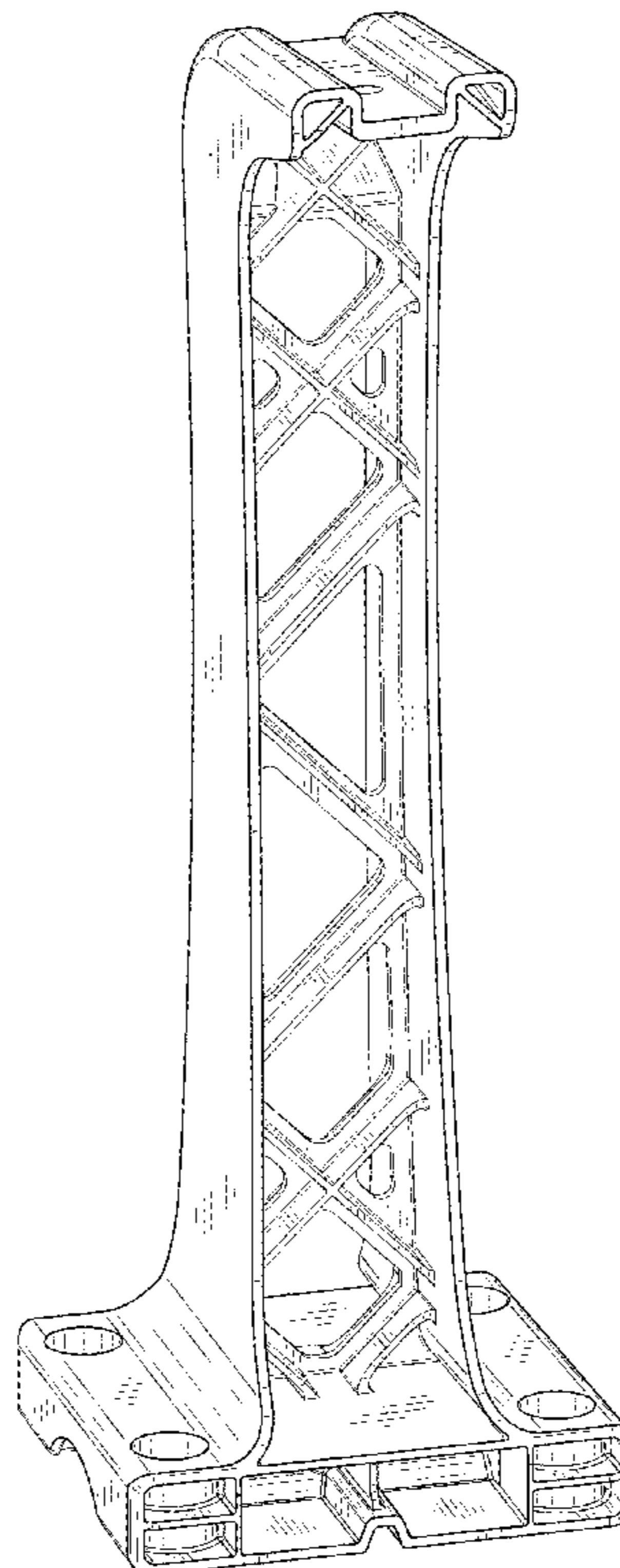
USPC ..... D8/323, 349, 354, 359, 367, 380;  
D6/304, 334, 335, 336, 356, 366, 553,  
D6/702, 705, 715, 716, 716.1, 716.4,  
D6/716.5; D3/304; D12/400, 406, 416,  
D12/420, 425; D13/133, 147, 152, 156,  
D13/174; D15/88, 199; D21/330, 335,  
D21/349, 470, 478, 479, 480, 489, 491  
CPC ..... F16M 11/10; F16M 13/02; F16M 13/00;  
A47C 17/38; A47C 7/18; A47C 7/30;  
A47C 17/16; A47C 20/04; A47C 20/041;  
B60N 2/4847; B60N 2/4228; B60N 2/48;  
B60N 2/4802; B60N 2/4861; B60N  
2/4855; B60N 2/4817; B60N 2/4882;  
B60N 2/4885; B60N 2/02; B60N 2/427;  
B60N 2/68; B60N 2/42; B60N 2/44;

The ornamental design for a support leg, as shown and described.

**DESCRIPTION**

FIG. 1 is a rear perspective view of a support leg showing the new design.  
FIG. 2 is a front perspective view thereof.  
FIG. 3 is a top plan view thereof.  
FIG. 4 is a bottom plan view thereof.  
FIG. 5 is a left side view thereof.  
FIG. 6 is a right side view thereof.  
FIG. 7 is a rear view thereof; and,  
FIG. 8 is a front view thereof.

**1 Claim, 5 Drawing Sheets**



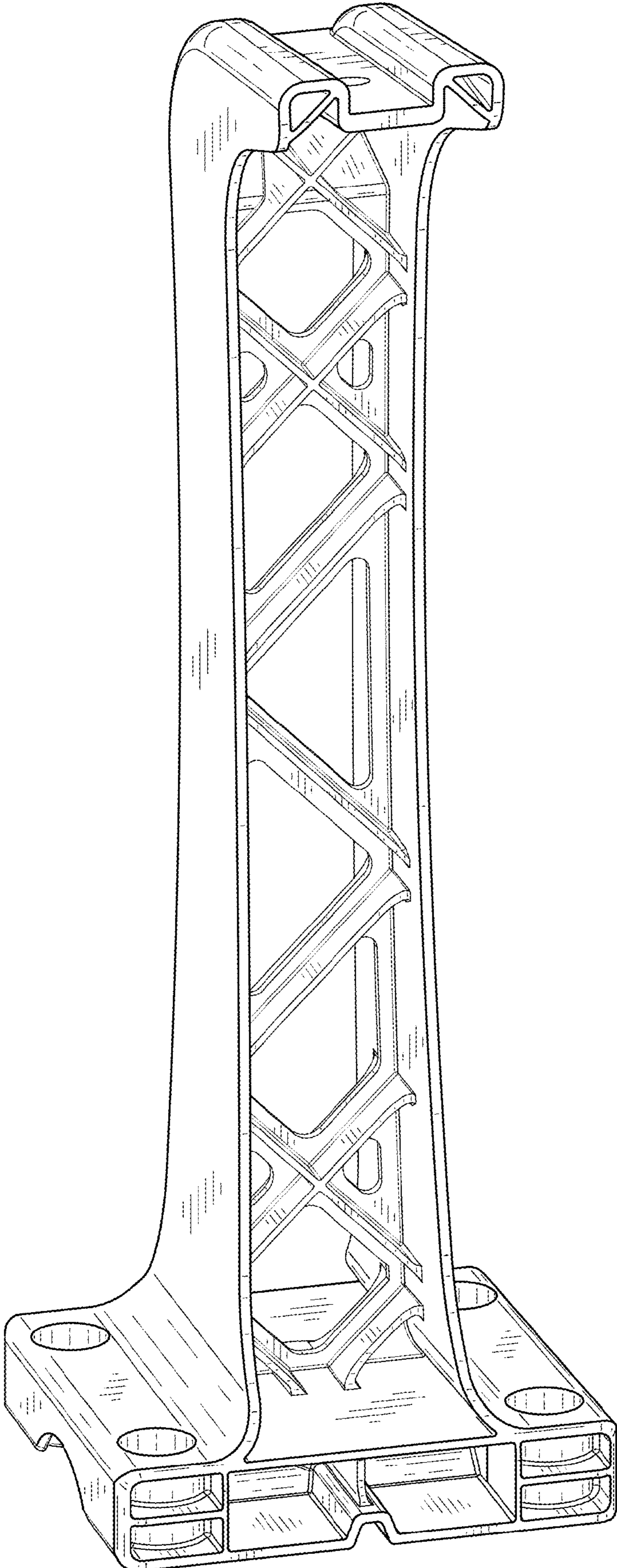


FIG. 1

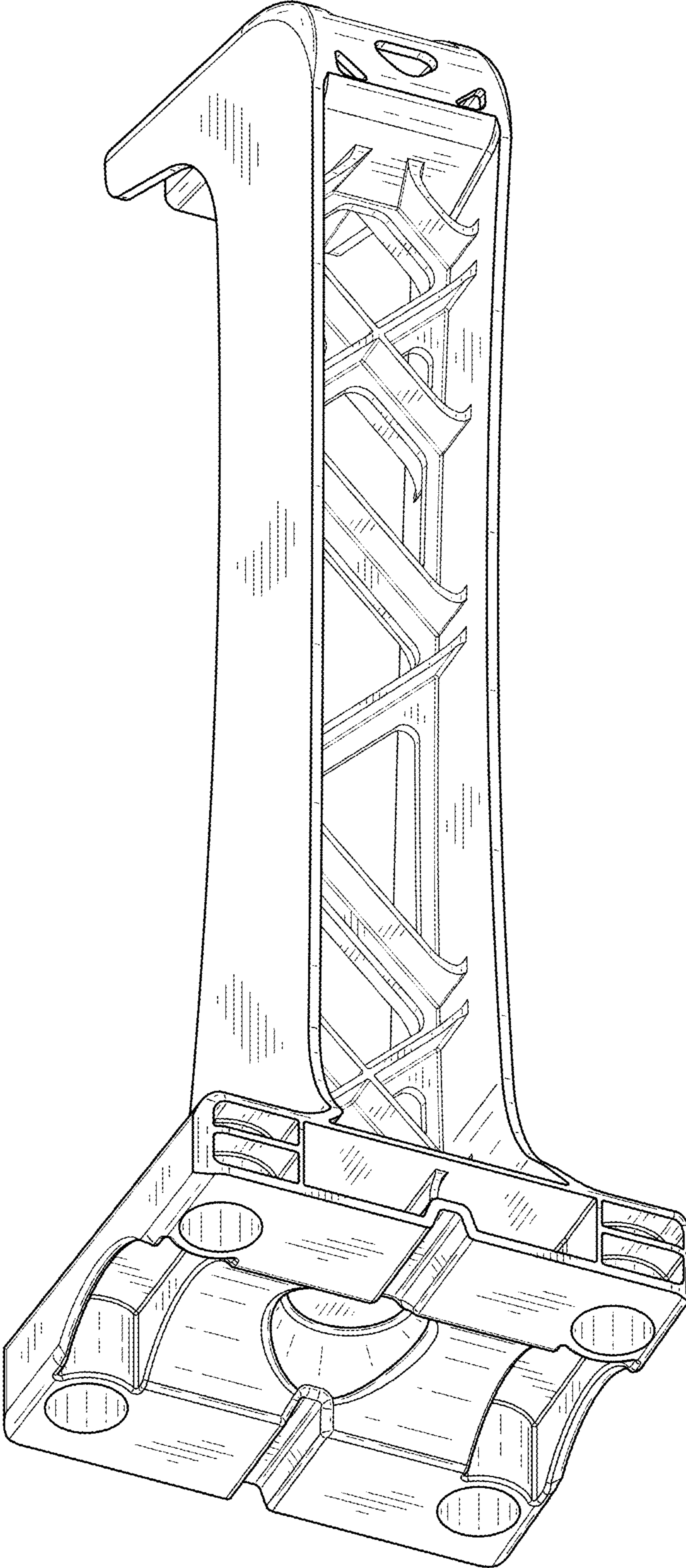


FIG. 2



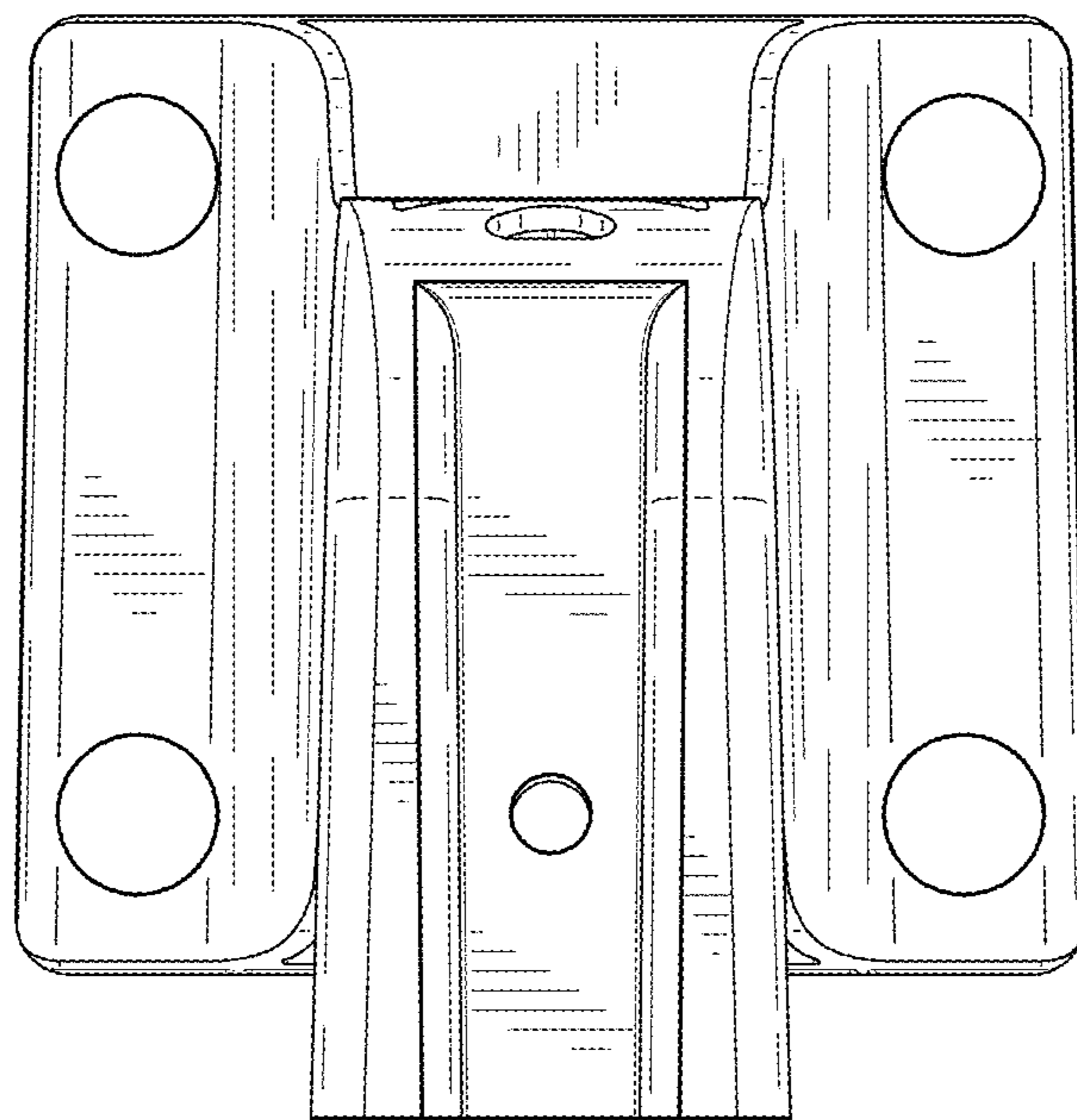


FIG. 3

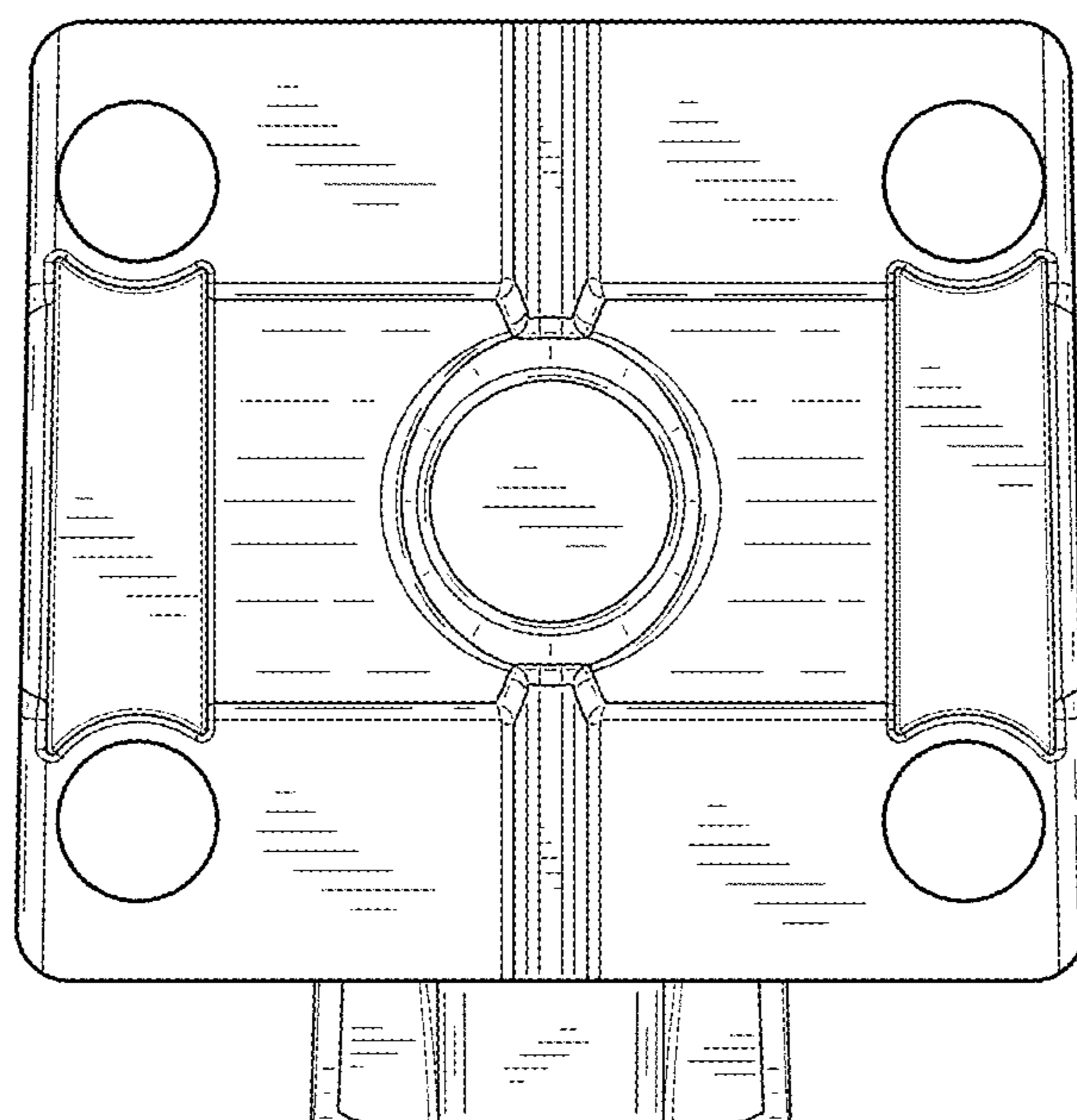


FIG. 4

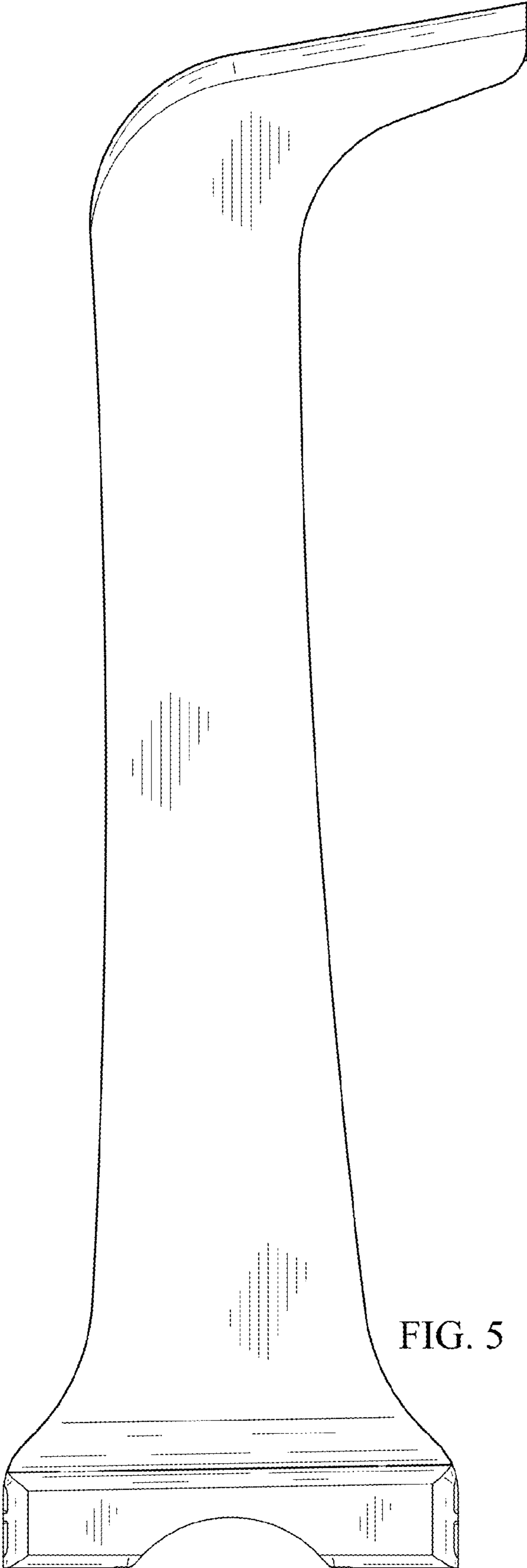


FIG. 5

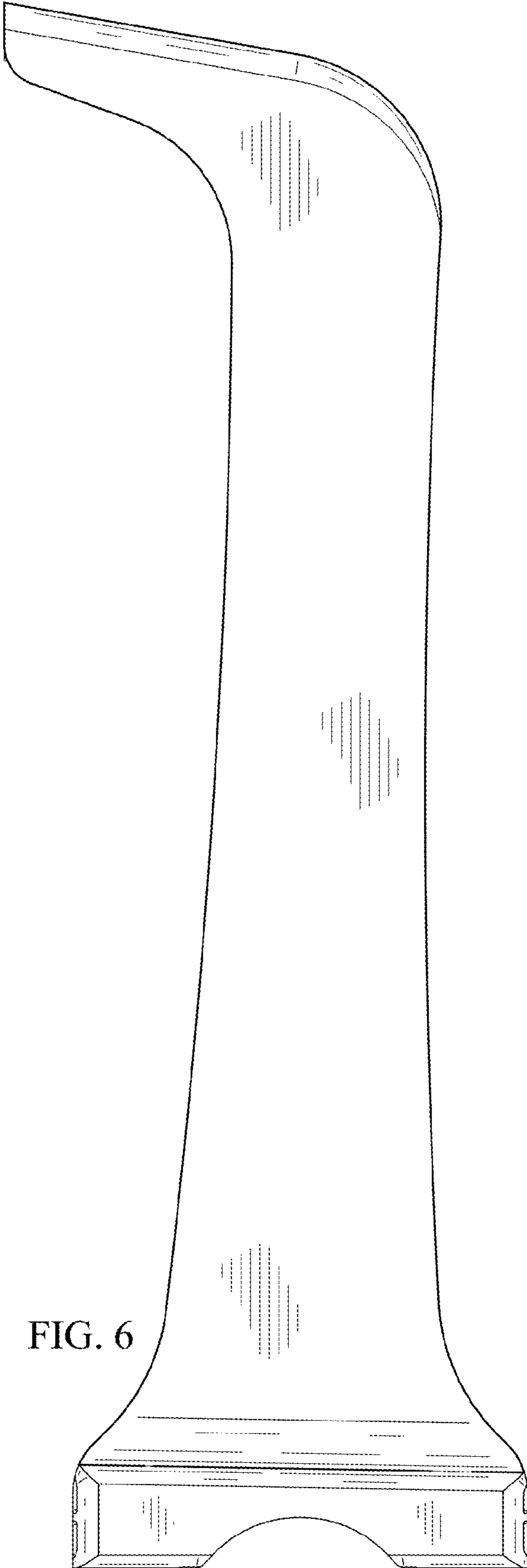


FIG. 6

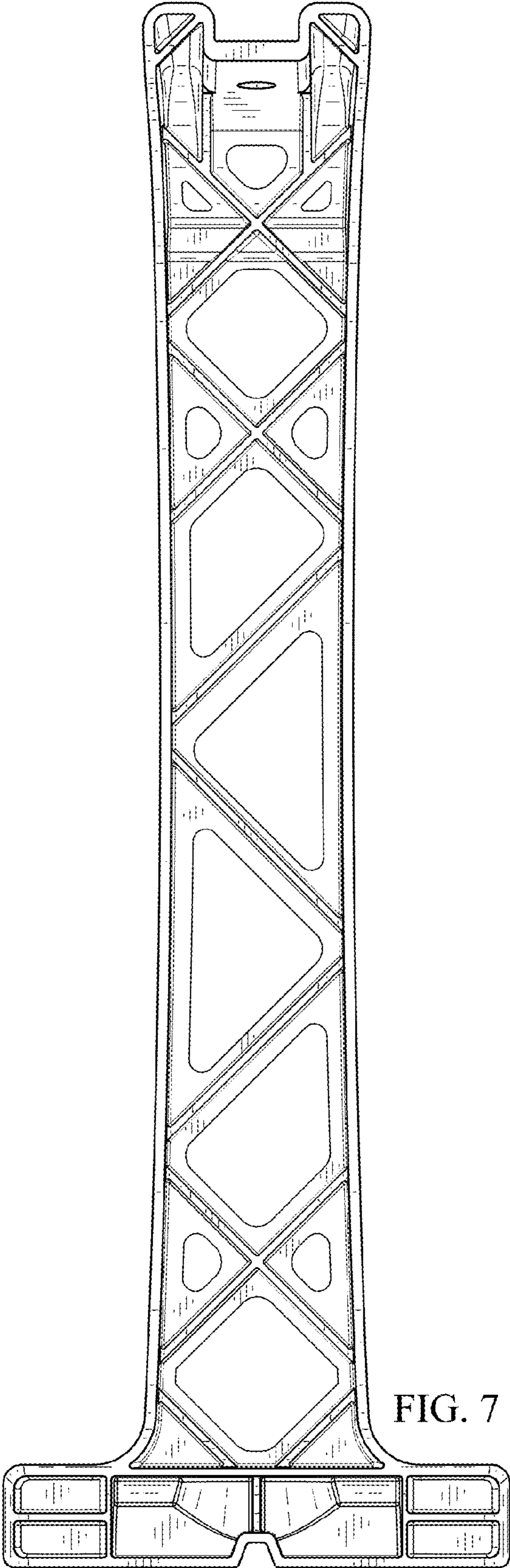


FIG. 7

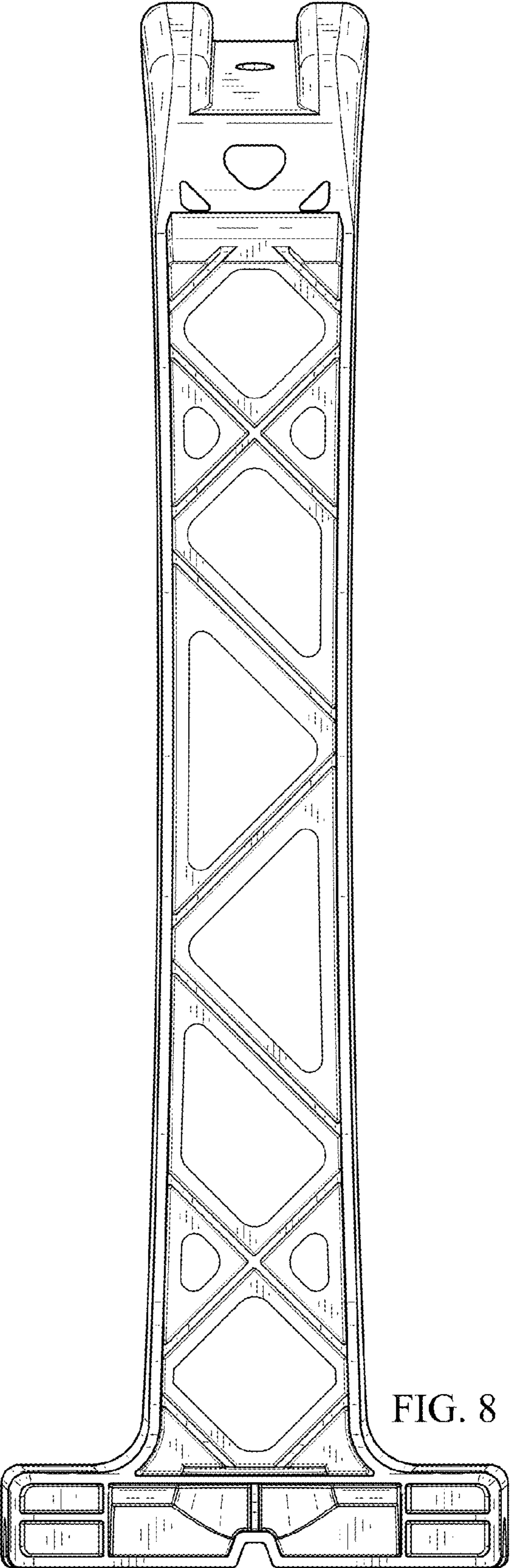


FIG. 8