



US00D879589S

(12) **United States Design Patent**
Pratt

(10) **Patent No.:** **US D879,589 S**

(45) **Date of Patent:** **** Mar. 31, 2020**

- (54) **ROD HOLDER TUBE**
- (71) Applicant: **RAILBLAZA LIMITED**, Auckland (NZ)
- (72) Inventor: **Ross Pratt**, Auckland (NZ)
- (73) Assignee: **RAILBLAZA LIMITED**, Auckland (NZ)
- (**) Term: **15 Years**
- (21) Appl. No.: **29/621,592**
- (22) Filed: **Oct. 10, 2017**
- (51) **LOC (12) Cl.** **08-05**
- (52) **U.S. Cl.**
USPC **D8/354**
- (58) **Field of Classification Search**
USPC D8/71, 354; D22/147, 148; D6/552, D6/553, 569
CPC A01K 97/10
See application file for complete search history.

- D589,113 S * 3/2009 Perry D22/147
- D616,643 S * 6/2010 Casper D3/221
- 7,743,548 B1 * 6/2010 Cashaw A01K 97/11
43/15
- 8,375,621 B1 * 2/2013 Tarr A01K 97/10
43/16
- D820,382 S * 6/2018 Pratt D22/147
- 2003/0221358 A1 * 12/2003 Matlosz A01K 97/10
43/21.2

* cited by examiner

Primary Examiner — Janice Hallmark
Assistant Examiner — Harold E Blackwell, II
(74) *Attorney, Agent, or Firm* — Grogan, Tuccillo & Vanderleeden, LLP

(57) **CLAIM**

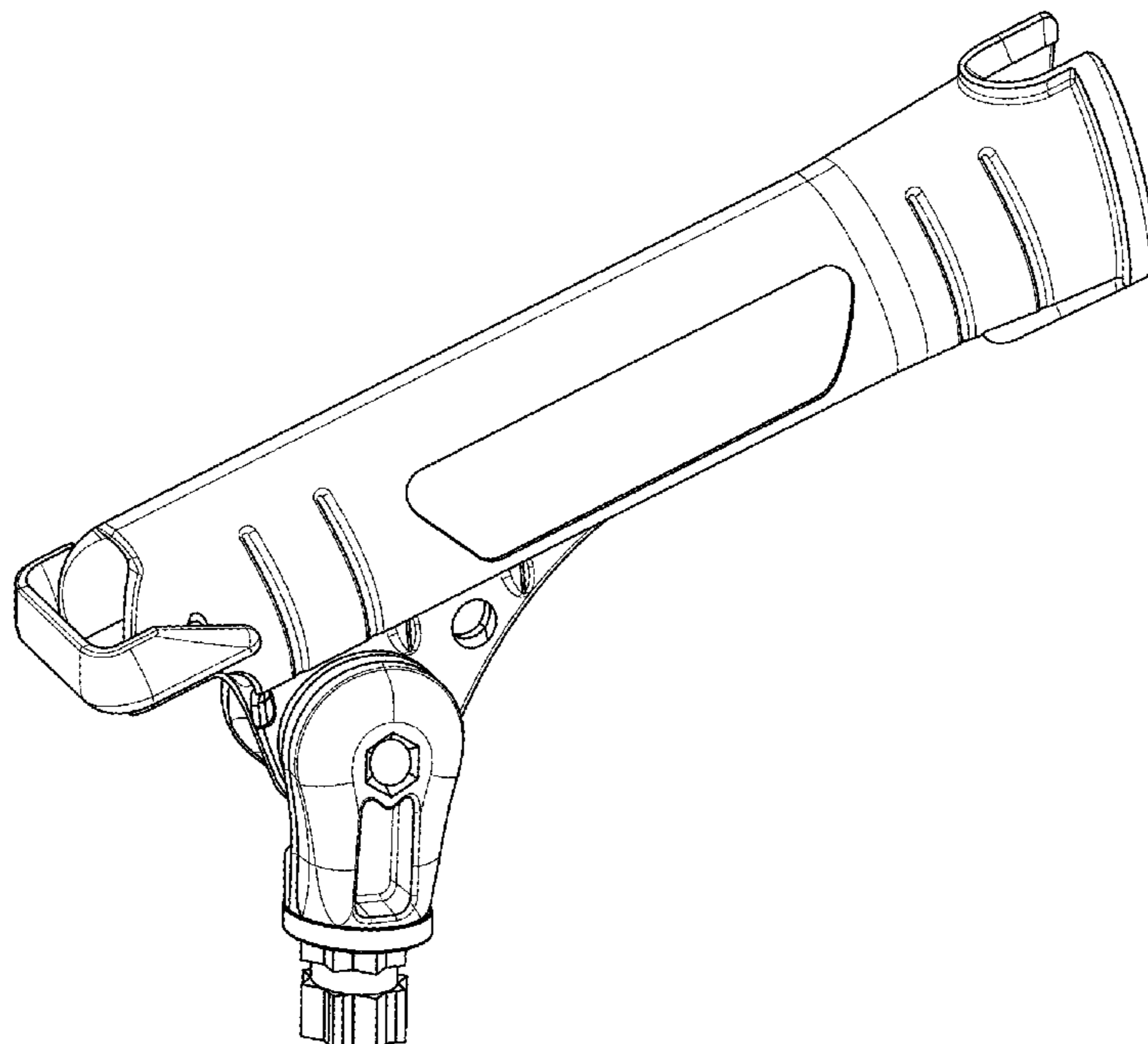
The ornamental design for a rod holder tube, as shown and described.

DESCRIPTION

FIG. 1 is a side view of a rod holder tube showing our new design;
FIG. 2 is a front view of the rod holder tube of FIG. 1;
FIG. 3 is an opposite side view of the rod holder tube thereof;
FIG. 4 is a back view of the rod holder tube thereof;
FIG. 5 is a top view of the rod holder tube thereof;
FIG. 6 is a bottom view of the rod holder tube thereof;
FIG. 7 is a first isometric view of the rod holder tube thereof;
and,
FIG. 8 is a second isometric view of the rod holder tube thereof.

- (56) **References Cited**
U.S. PATENT DOCUMENTS
- 4,012,861 A * 3/1977 Gellatly A01K 97/11
43/15
- D255,259 S * 6/1980 Nelson D22/147
- D307,171 S * 4/1990 Engle D22/147
- D307,312 S * 4/1990 Engle D22/147
- D334,226 S * 3/1993 Engle D22/147
- 5,625,974 A * 5/1997 Demaio A01K 97/10
248/538
- D490,768 S * 6/2004 Baynes D12/407
- 6,898,893 B1 * 5/2005 Mukdaprakorn A01K 97/10
248/518
- D564,062 S * 3/2008 Carnevali D22/147

1 Claim, 8 Drawing Sheets



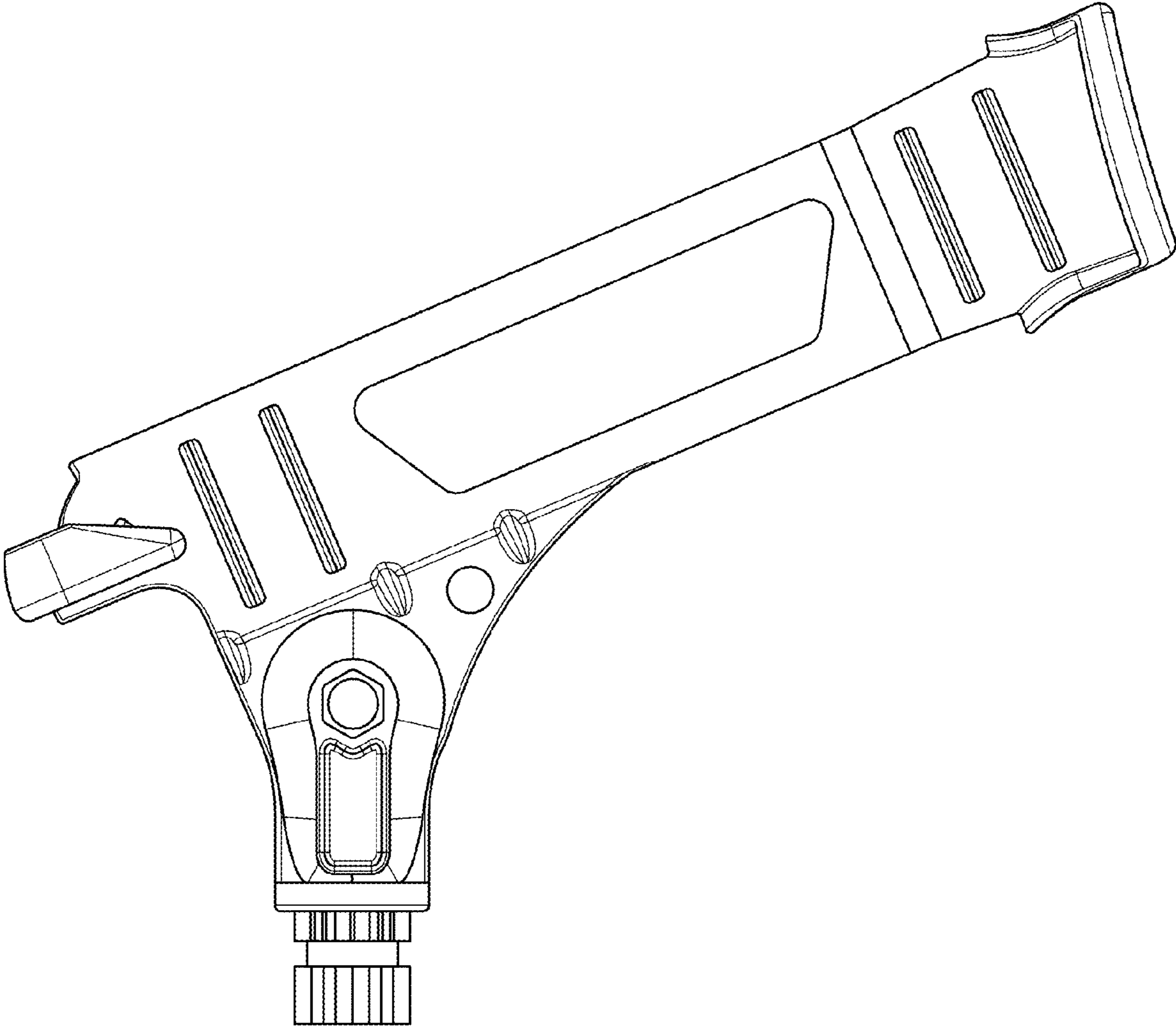


FIG. 1

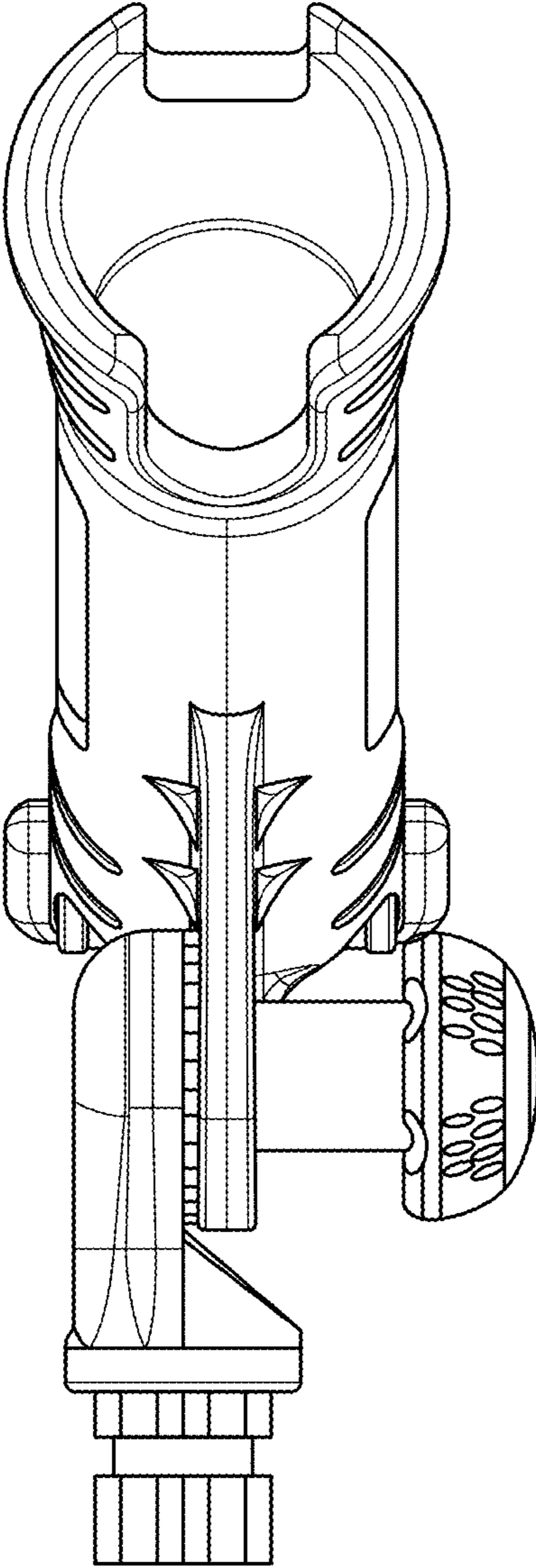


FIG. 2

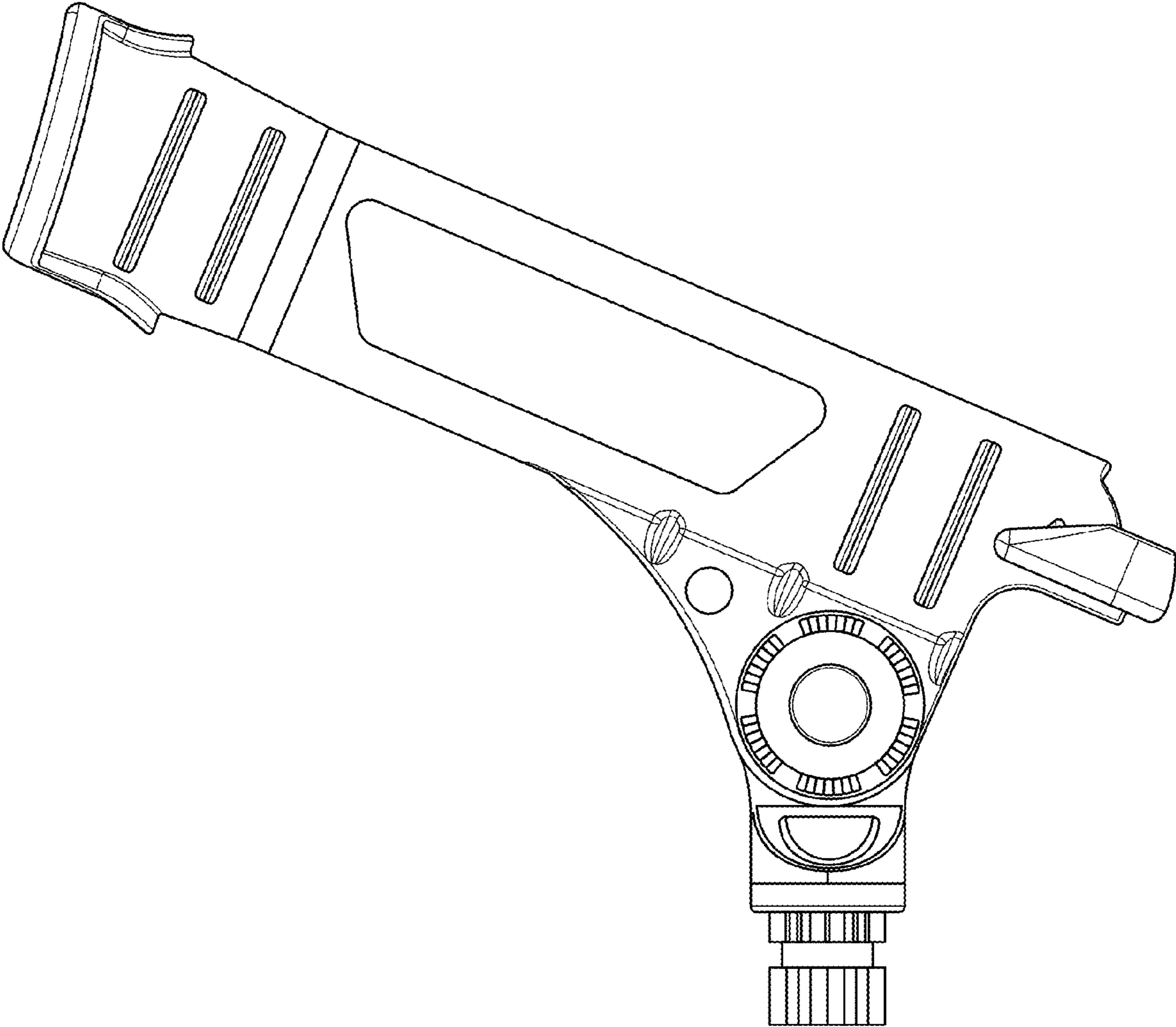


FIG. 3

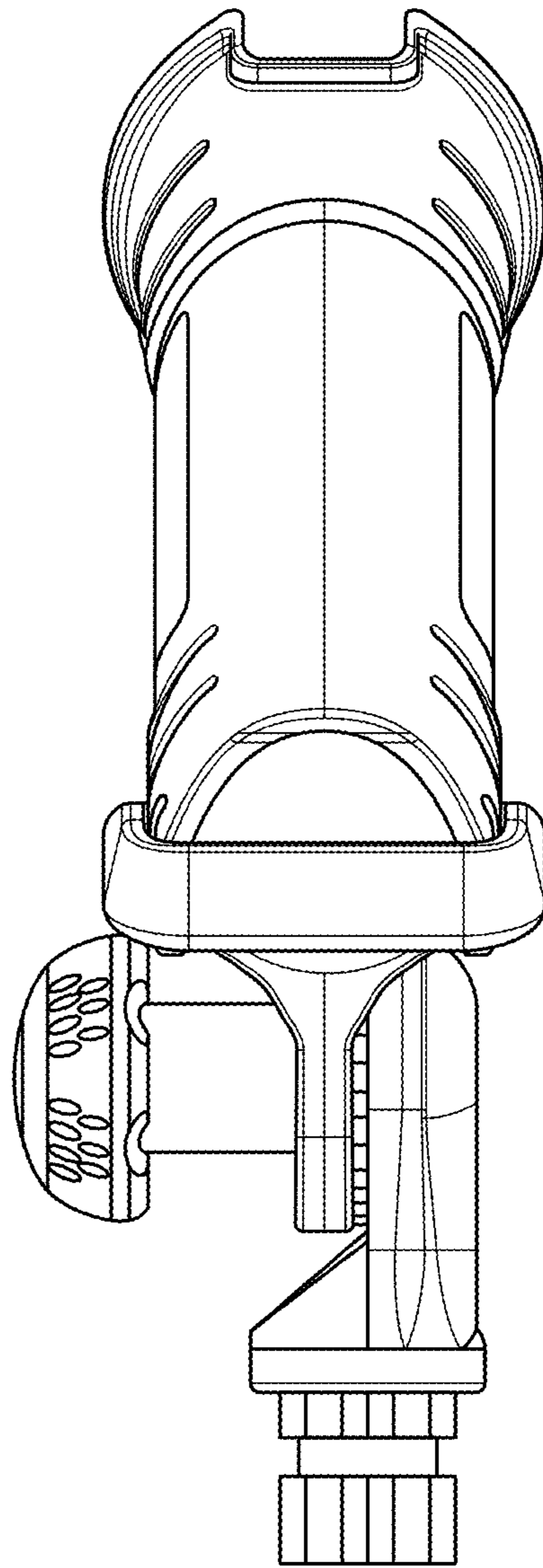


FIG. 4

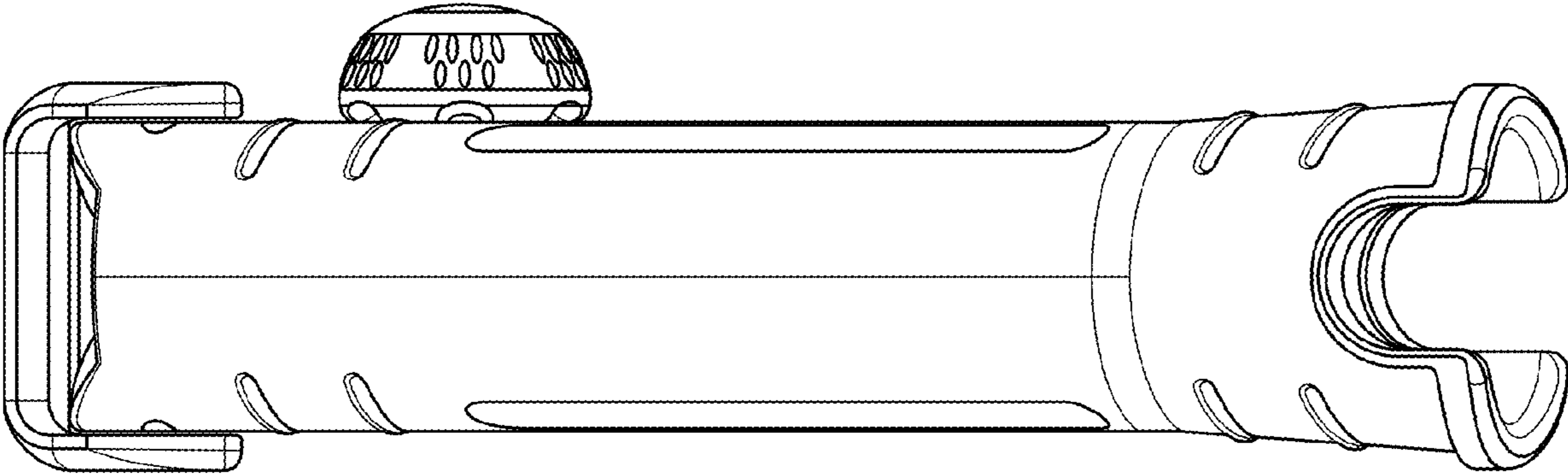


FIG. 5

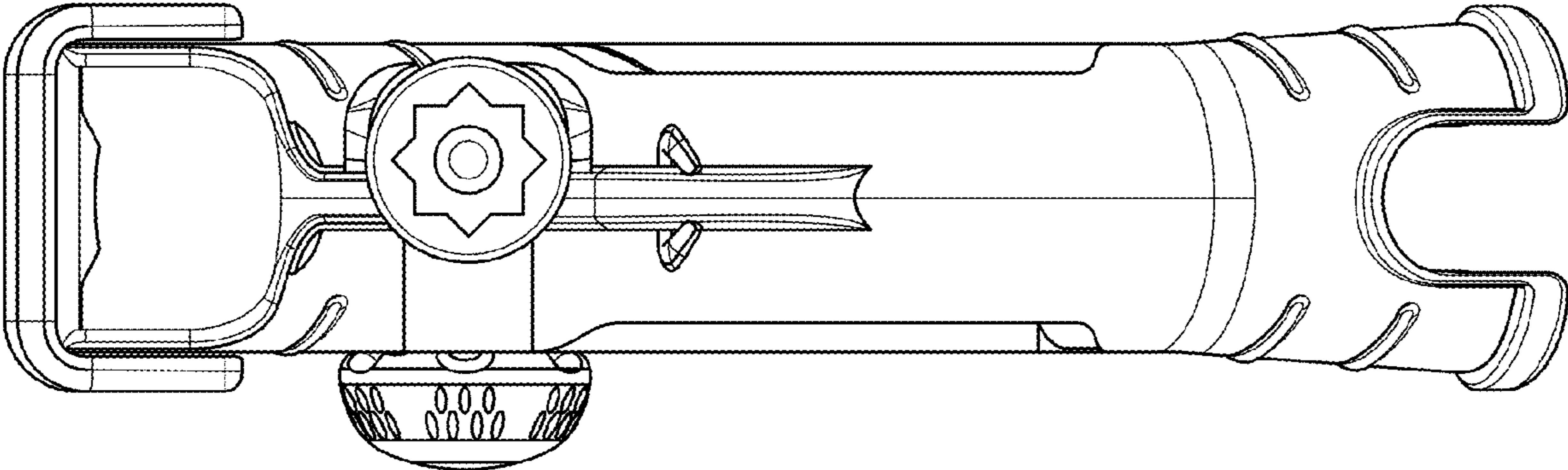


FIG. 6

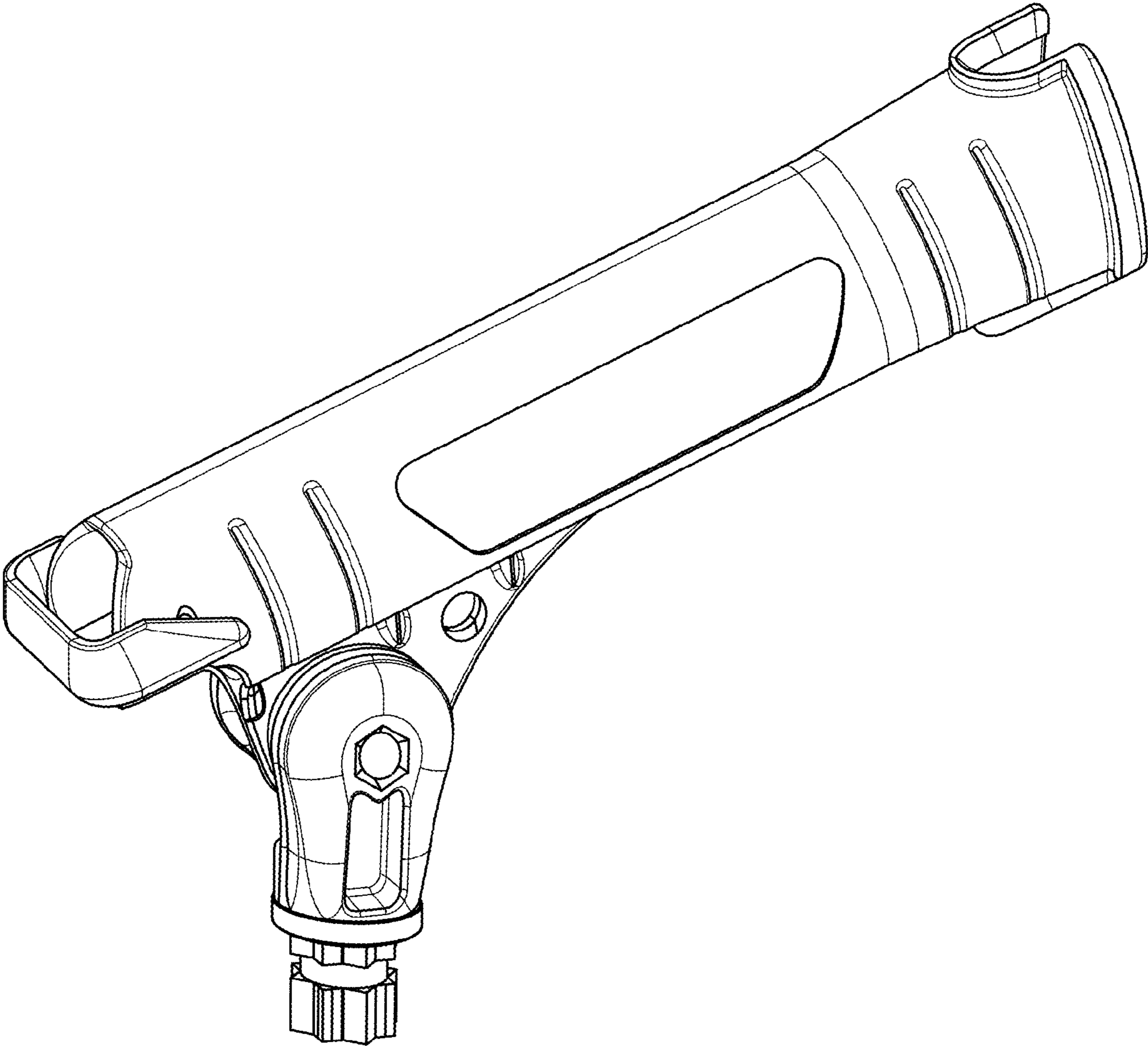


FIG. 7

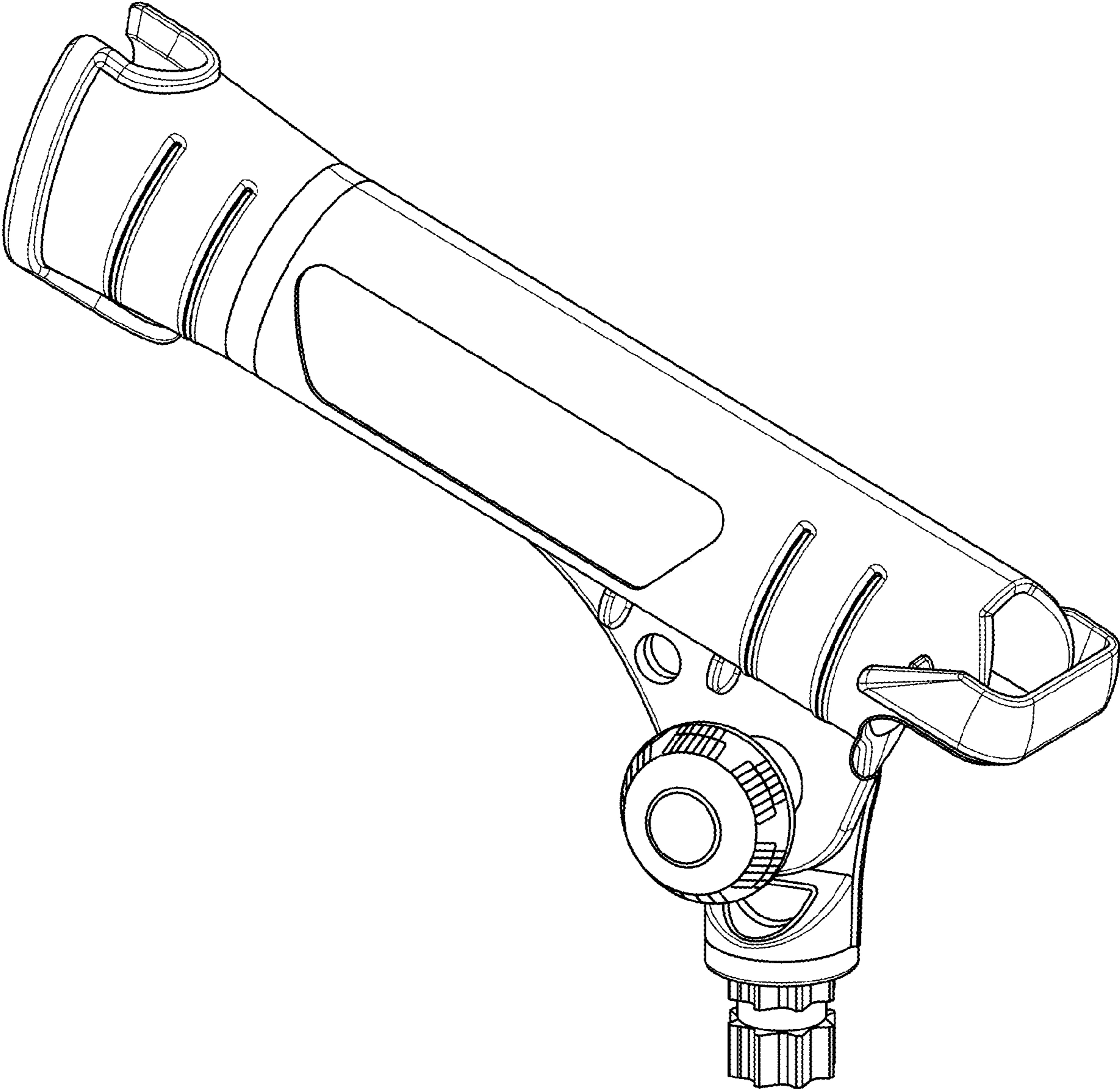


FIG. 8