



US00D879583S

(12) **United States Design Patent**
Bunn

(10) **Patent No.:** **US D879,583 S**

(45) **Date of Patent:** **** Mar. 31, 2020**

(54) **CABINET HANDLE**

(71) Applicant: **Belwith Products, LLC**, Grandville, MI (US)

(72) Inventor: **Stephen D Bunn**, Grand Rapids, MI (US)

(73) Assignee: **Belwith Products, LLC**, Grandville, MI (US)

(**) Term: **15 Years**

(21) Appl. No.: **29/680,087**

(22) Filed: **Feb. 13, 2019**

(51) **LOC (12) Cl.** **08-06**

(52) **U.S. Cl.**
USPC **D8/316**

(58) **Field of Classification Search**
USPC D8/316, 315, 317, 319, 320, 321, 331, D8/337, 338, 341; D28/41, 42; D9/434
CPC Y10T 16/469; Y10T 16/44; Y10T 16/458; Y10T 16/498; Y10T 16/476; Y10T 16/459; Y10T 16/466; Y10T 16/4713; Y10T 16/4644; Y10T 16/513; Y10T 16/509; Y10T 16/473; Y10T 16/462; Y10T 16/4701

See application file for complete search history.

(56) **References Cited**

U.S. PATENT DOCUMENTS

D408,259 S * 4/1999 Hagen D9/434
D564,856 S * 3/2008 Ricereto D8/316

D605,937 S * 12/2009 Lovelace, Jr. D9/434
D668,146 S * 10/2012 Kelly D9/434
D668,147 S * 10/2012 Kelly D9/434
D679,984 S * 4/2013 Ramsland D8/316
D704,030 S * 5/2014 Jou B25G 1/04
D847,627 S * 5/2019 Kelly D9/434

* cited by examiner

Primary Examiner — Keli L Hill

Assistant Examiner — Harold E Blackwell, II

(74) *Attorney, Agent, or Firm* — Economou IP Law; Vangelis Economou

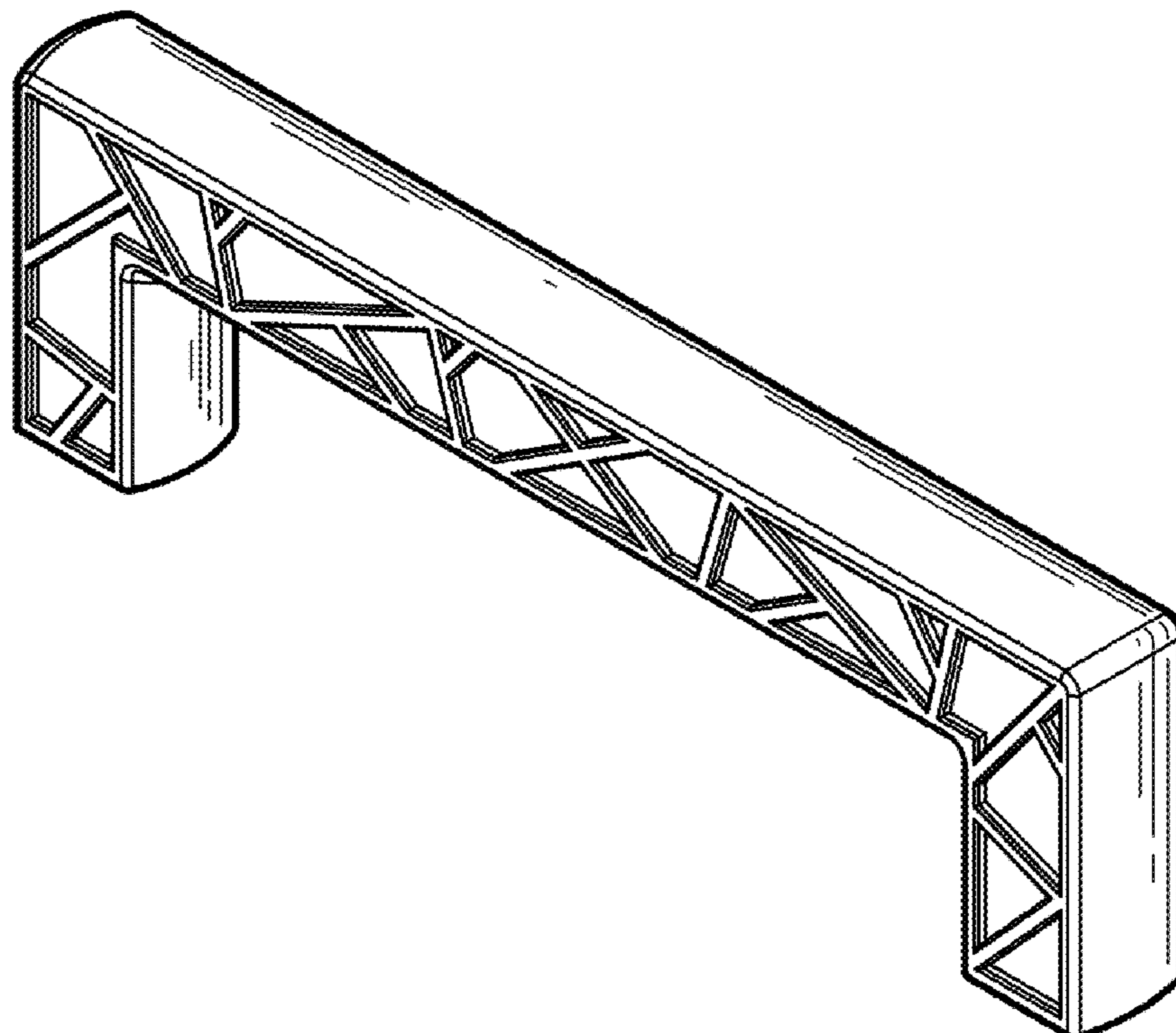
(57) **CLAIM**

The ornamental design for a cabinet handle, as shown and described.

DESCRIPTION

FIG. 1 is a perspective view of the cabinet handle showing my new design;
FIG. 2 is a reduced front elevational view thereof;
FIG. 3 is a back elevational view thereof;
FIG. 4 is a right side view thereof;
FIG. 5 is a left side view thereof;
FIG. 6 is a top view thereof; and,
FIG. 7 is a bottom view thereof.
The broken lines in the drawings illustrate portions of a cabinet handle which form no part of the claimed design.

1 Claim, 2 Drawing Sheets



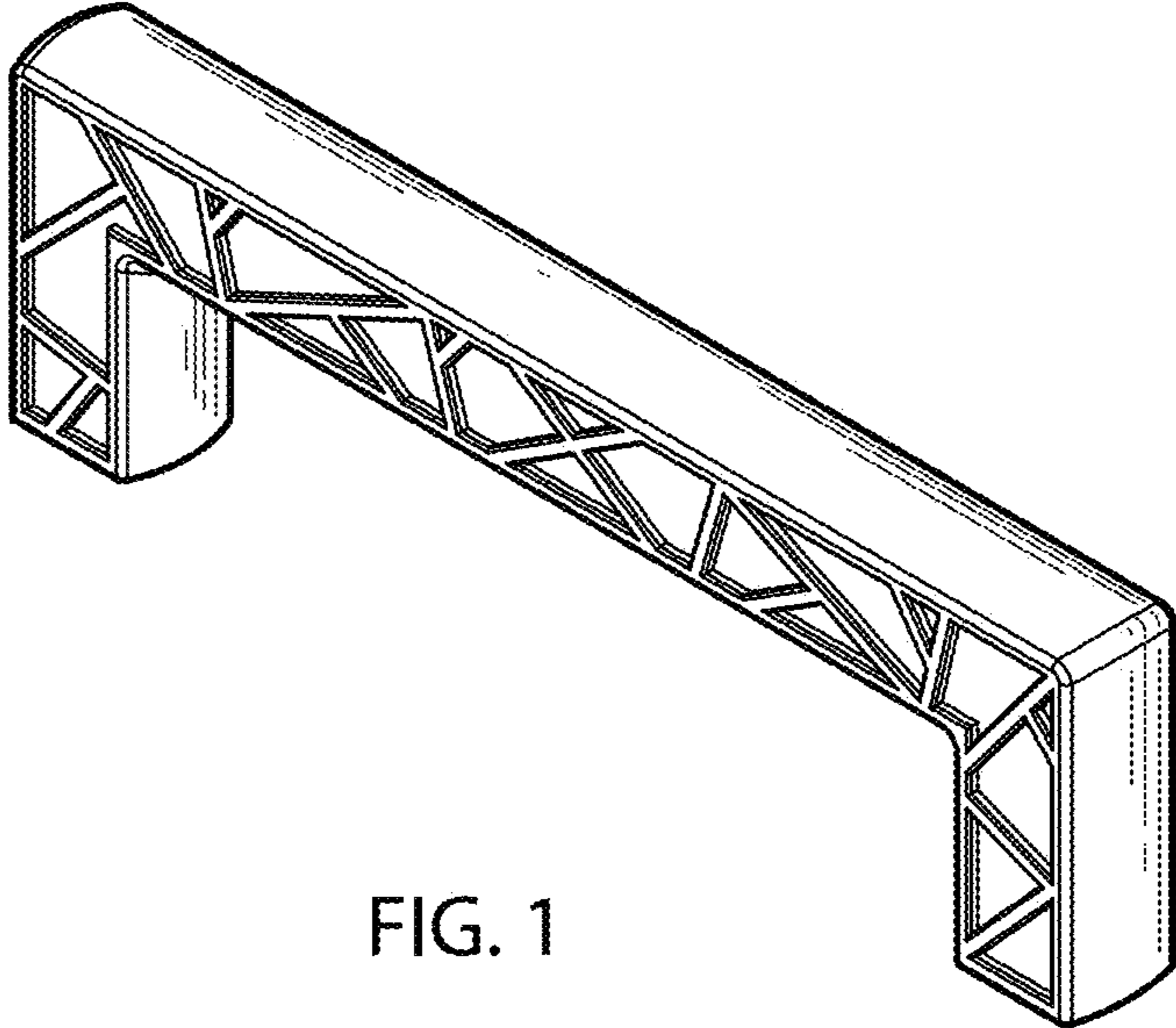


FIG. 1



FIG. 2

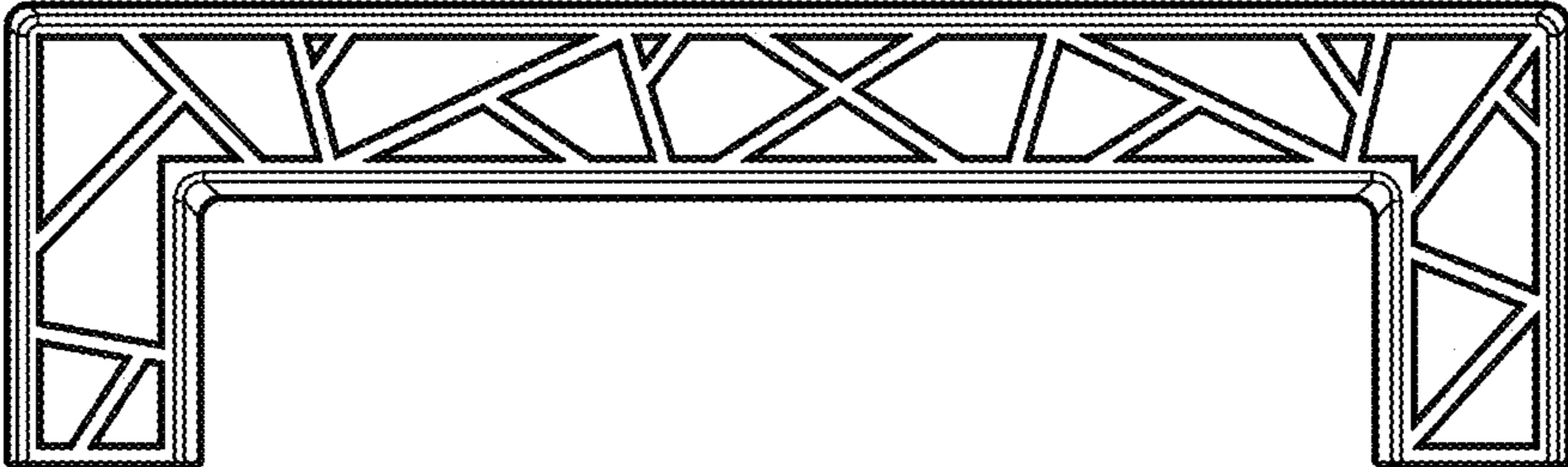


FIG. 3

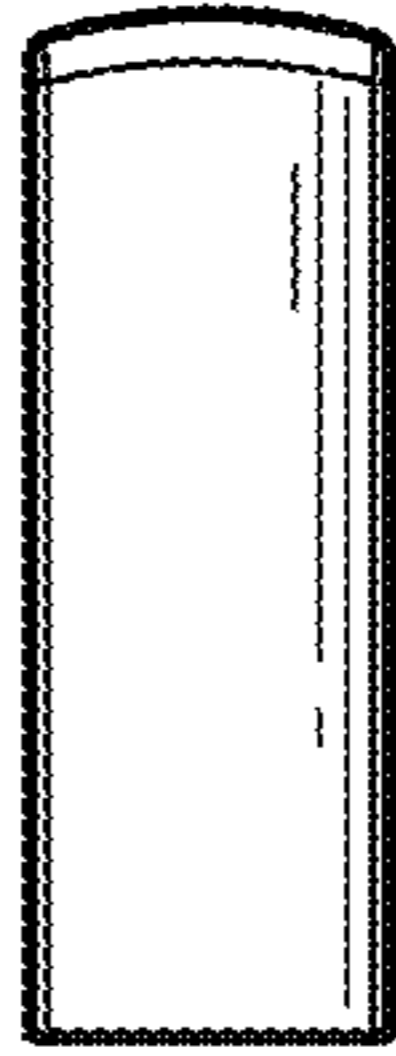


FIG. 4

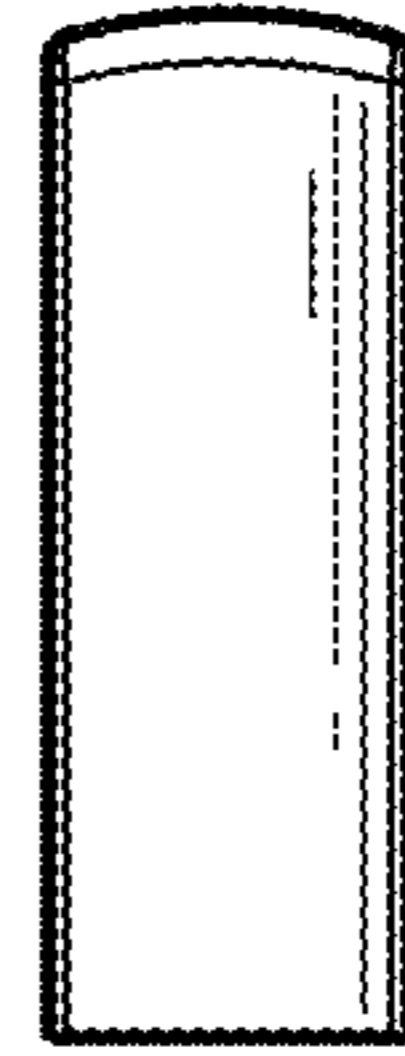


FIG. 5



FIG. 6



FIG. 7