



US00D879579S

(12) **United States Design Patent**
Di Muro

(10) **Patent No.:** **US D879,579 S**

(45) **Date of Patent:** **** Mar. 31, 2020**

(54) **CUTTER**

(71) Applicant: **Giacomo Di Muro**, Alassio (IT)

(72) Inventor: **Giacomo Di Muro**, Alassio (IT)

(**) Term: **15 Years**

(21) Appl. No.: **35/506,461**

(22) Filed: **Sep. 19, 2018**

(80) **Hague Agreement Data**

Int. Filing Date: **Sep. 19, 2018**
Int. Reg. No.: **DM/200030**
Int. Reg. Date: **Sep. 19, 2018**
Int. Reg. Pub. Date: **Mar. 22, 2019**

(51) **LOC (12) Cl.** **08-03**

(52) **U.S. Cl.**
USPC **D8/99**

(58) **Field of Classification Search**
USPC D8/98, 99
CPC B26B 1/08
See application file for complete search history.

(56) **References Cited**

U.S. PATENT DOCUMENTS

D361,253 S * 8/1995 McCoy D8/98
5,495,670 A * 3/1996 Quinn B26B 5/001
30/162

D591,135 S * 4/2009 Wu D8/99
D651,064 S * 12/2011 Wu D8/99
D712,228 S * 9/2014 Rohrbach D8/99
D840,782 S * 2/2019 Lin D8/99
D856,110 S * 8/2019 Bloch D8/99
D865,479 S * 11/2019 Rohrbach D8/99
2008/0104849 A1 * 5/2008 Mueller B26B 5/00
30/142
2019/0351565 A1 * 11/2019 Ronan B25G 1/08

* cited by examiner

Primary Examiner — Deanna L Pratt

(74) *Attorney, Agent, or Firm* — Ostrolenk Faber LLP

(57) **CLAIM**

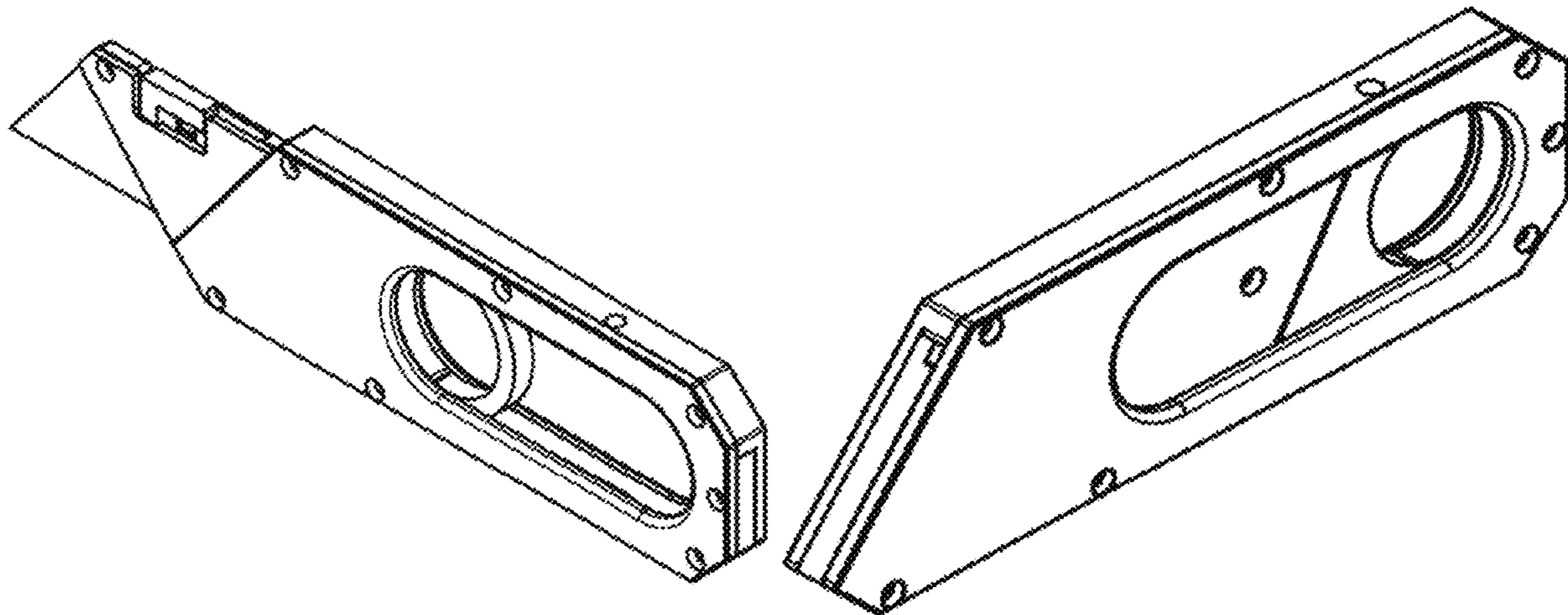
The ornamental design for a cutter, as shown and described.

DESCRIPTION

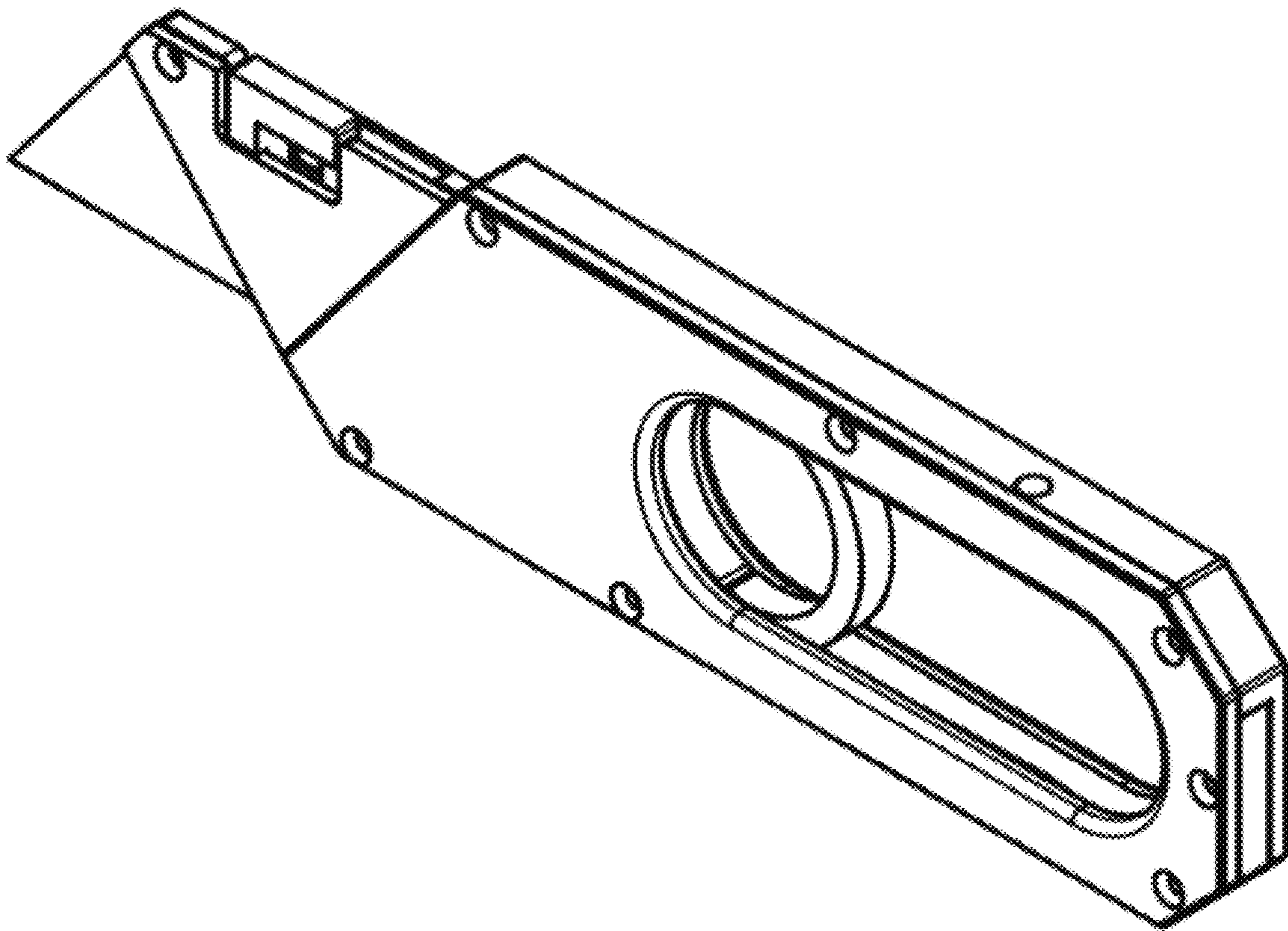
1. Cutter

The design application shows a new cutter; fig. 1.1 is a perspective view; fig. 1.2 is a front view; fig. 1.3 is a perspective view of the cutter folded; fig. 1.4 is a bottom view; fig. 1.5 is a top view; fig. 1.6 is a right view; and fig. 1.7 is a left view.

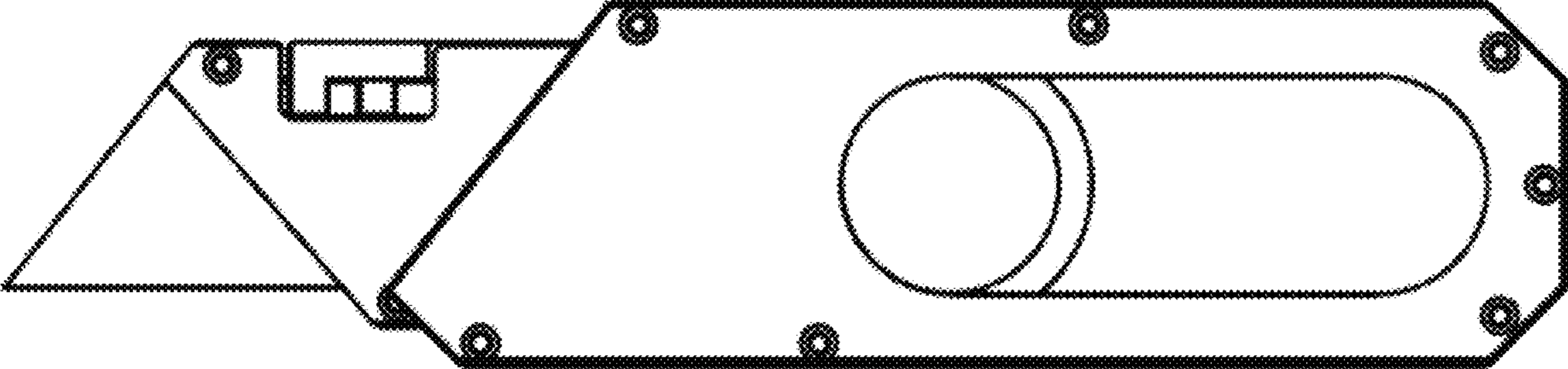
1 Claim, 7 Drawing Sheets



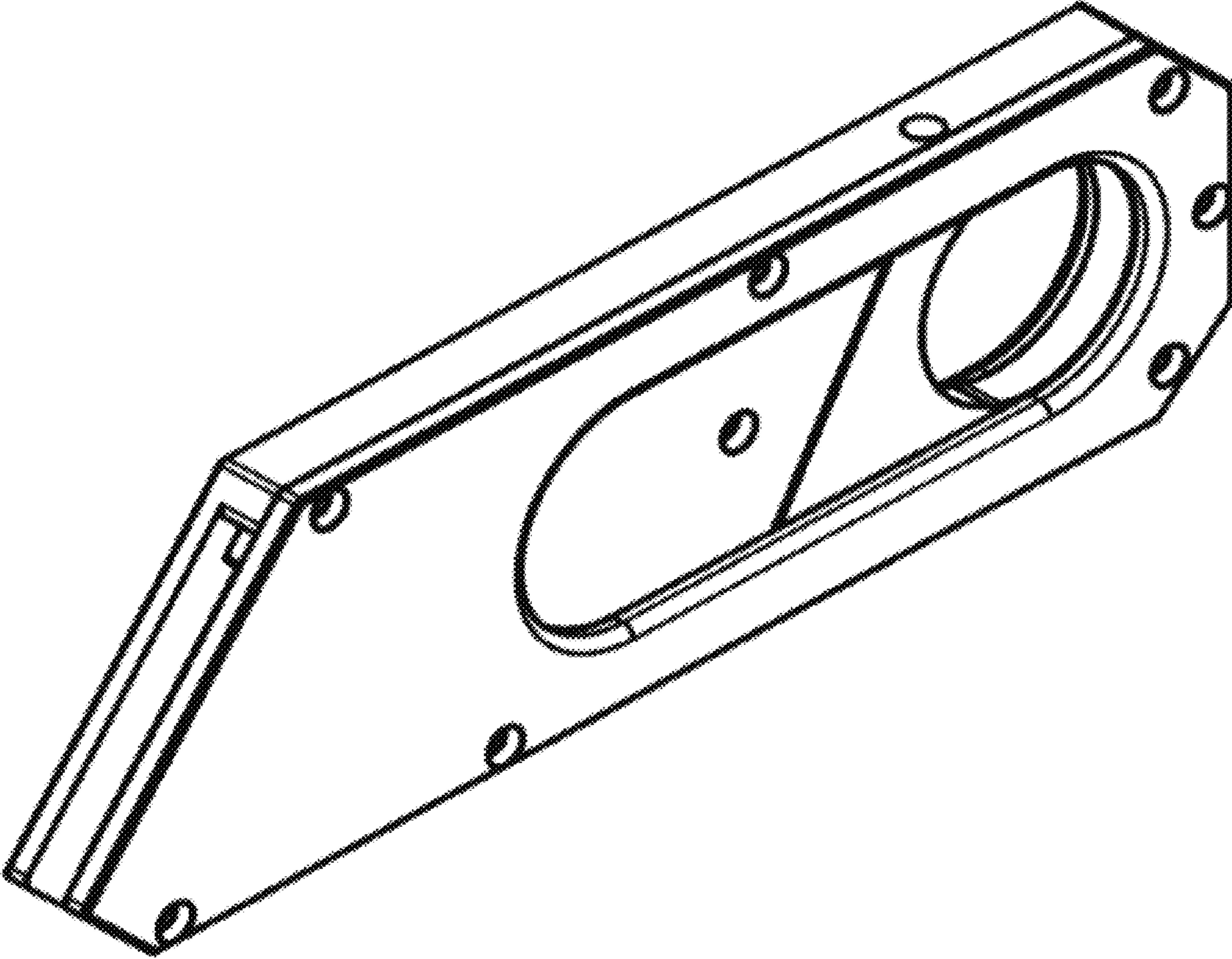
1.1



1.2



1.3



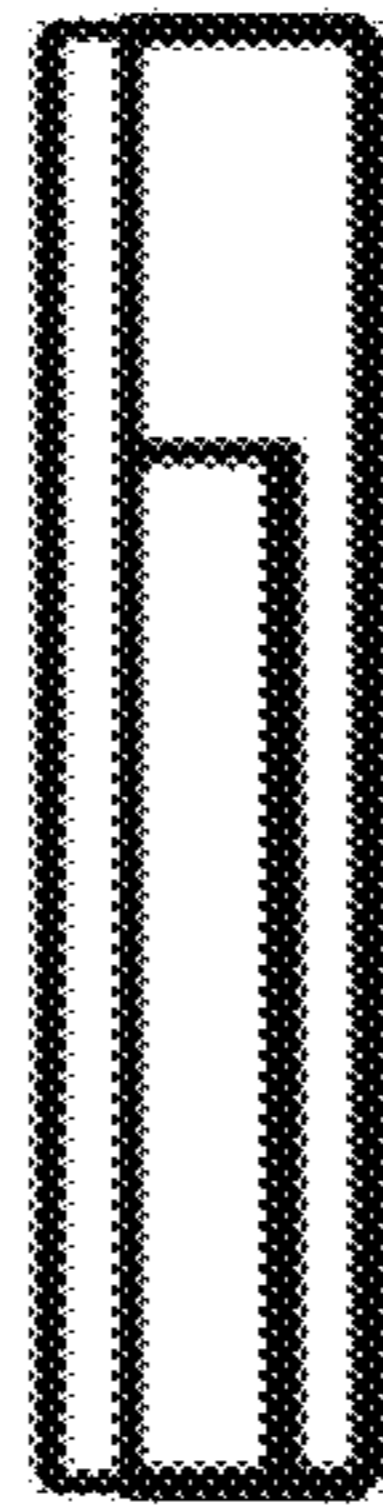
1.4



1.5



1.6



1.7

