



US00D879577S

(12) **United States Design Patent**
Kukucka et al.

(10) **Patent No.:** **US D879,577 S**
(45) **Date of Patent:** **** Mar. 31, 2020**

- (54) **EXTRACTOR TOOL**
- (71) Applicant: **GRIP HOLDINGS LLC**, Brandon, FL (US)
- (72) Inventors: **Paul Kukucka**, Brandon, FL (US);
Thomas Stefan Kukucka, Brandon, FL (US)
- (73) Assignee: **GRIP HOLDINGS LLC**, Brandon, FL (US)
- (**) Term: **15 Years**
- (21) Appl. No.: **29/711,246**
- (22) Filed: **Oct. 29, 2019**

Related U.S. Application Data

- (63) Continuation-in-part of application No. 16/107,842, filed on Aug. 21, 2018, which is a continuation-in-part of application No. 15/601,864, filed on May 22, 2017, which is a continuation-in-part of application No. 14/701,482, filed on Apr. 30, 2015, now abandoned.

- (51) **LOC (12) Cl.** **08-04**
- (52) **U.S. Cl.**
USPC **D8/86**
- (58) **Field of Classification Search**
USPC D8/70, 82, 86, 87; D15/139
CPC B25B 15/00; B25B 15/001; B25B 15/005;
B25B 15/007; B25B 15/02; B23K
20/1255
See application file for complete search history.

(56) **References Cited**

U.S. PATENT DOCUMENTS

- 6,019,019 A * 2/2000 Hobbs B25B 15/001
81/177.2
- 6,098,499 A * 8/2000 Pool B25B 27/18
81/441

- 6,575,057 B1 * 6/2003 Ploeger B25B 13/48
81/441
- 7,225,710 B2 * 6/2007 Pacheco, Jr. B25B 13/065
411/403
- 8,448,547 B2 * 5/2013 Whitehead B25B 27/18
81/441
- D714,122 S 9/2014 Lin
- D776,505 S 1/2017 Doroslovac
- D794,409 S 8/2017 Anderson et al.
- D829,069 S 9/2018 Doroslovac et al.
- 10,081,094 B2 9/2018 Doroslovac et al.
- D859,944 S 9/2019 Kukucka et al.
- 2011/0271800 A1 * 11/2011 Lin B25B 15/008
81/436
- 2016/0223005 A1 * 8/2016 Rathmann F16B 23/003
(Continued)

FOREIGN PATENT DOCUMENTS

- WO WO 2018/150360 8/2018
- WO WO 2018/172831 9/2018

Primary Examiner — Philip S Hyder

(57) **CLAIM**

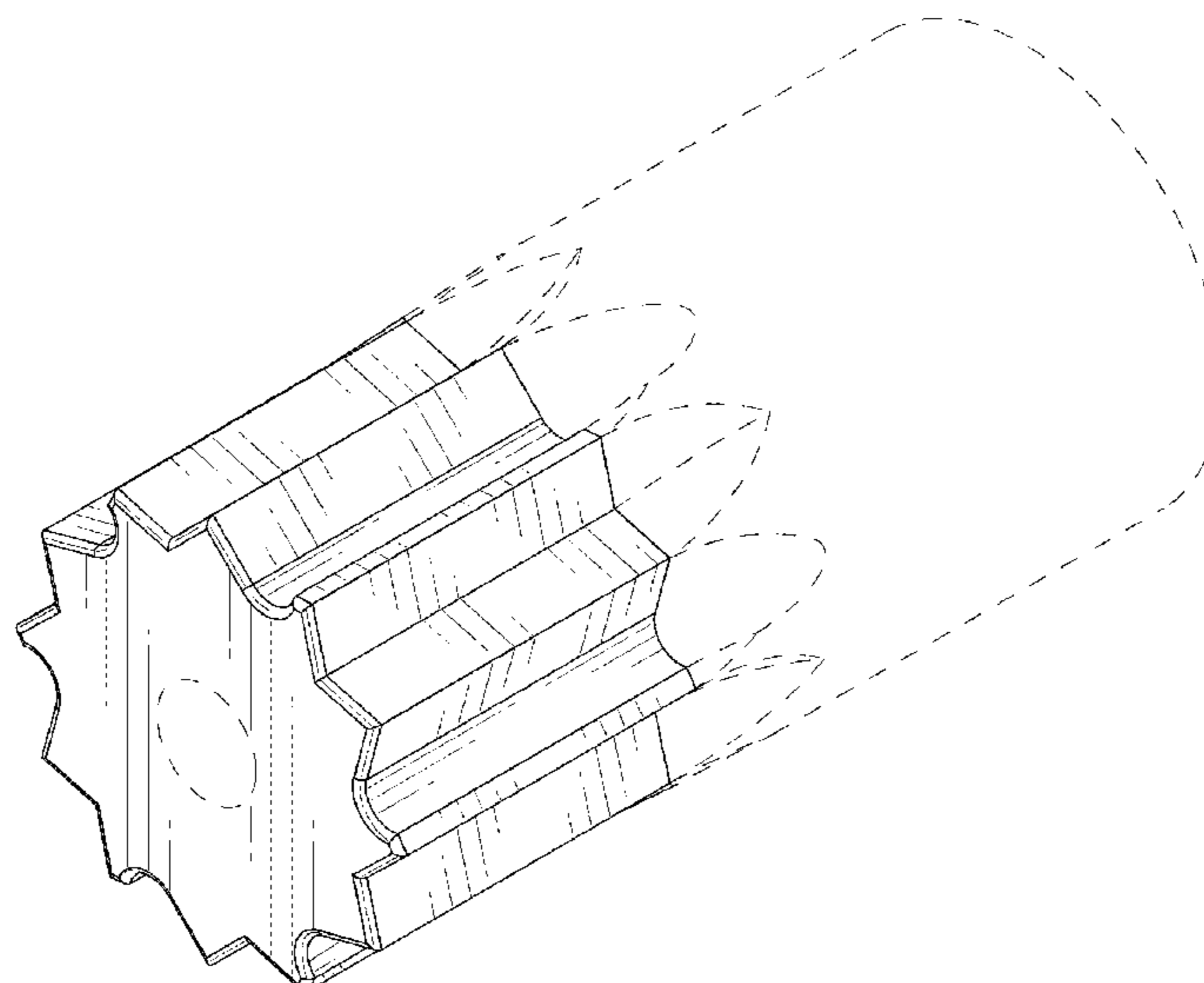
The ornamental design for an extractor tool, as shown and described.

DESCRIPTION

FIG. 1 is a top-front-left perspective view of an extractor tool showing our new design;
 FIG. 2 is a bottom-rear-right perspective view thereof;
 FIG. 3 is a front elevational view thereof;
 FIG. 4 is a rear elevational view thereof;
 FIG. 5 is a right-side elevational view thereof;
 FIG. 6 is a left-side elevational view thereof;
 FIG. 7 is a top plan view thereof; and,
 FIG. 8 is a bottom plan view thereof.

The broken line showing the extractor body in FIGS. 1 through 10 and the central concavity in FIGS. 1 and 3 is included for the purpose of showing environmental structure and forms no part of the claimed design.

1 Claim, 8 Drawing Sheets



(56)

References Cited

U.S. PATENT DOCUMENTS

2017/0106507 A1* 4/2017 Campbell B25B 15/005
2018/0354102 A1 10/2018 Kukucka et al.
2019/0152033 A1 5/2019 Kukucka et al.

* cited by examiner

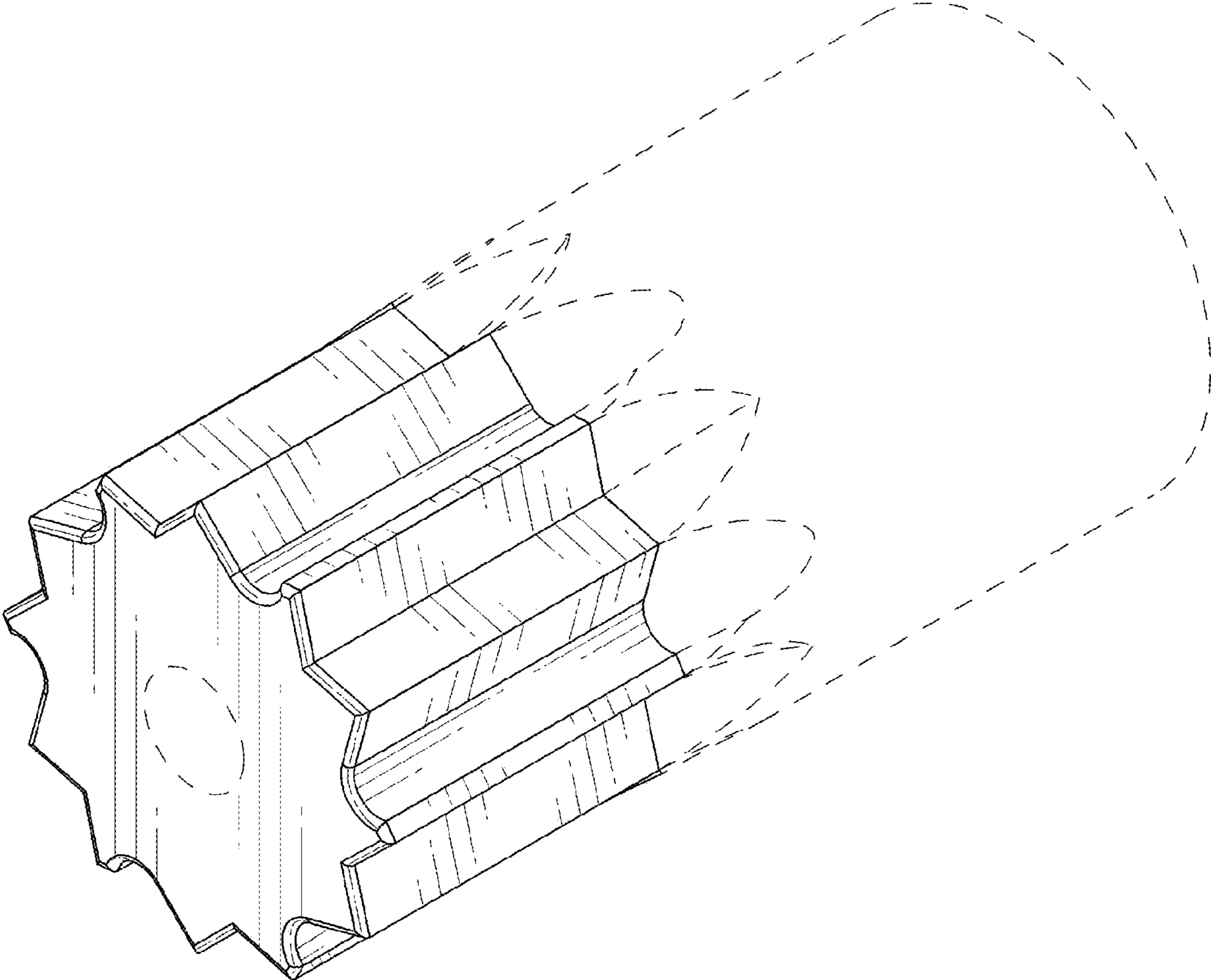


FIG. 1

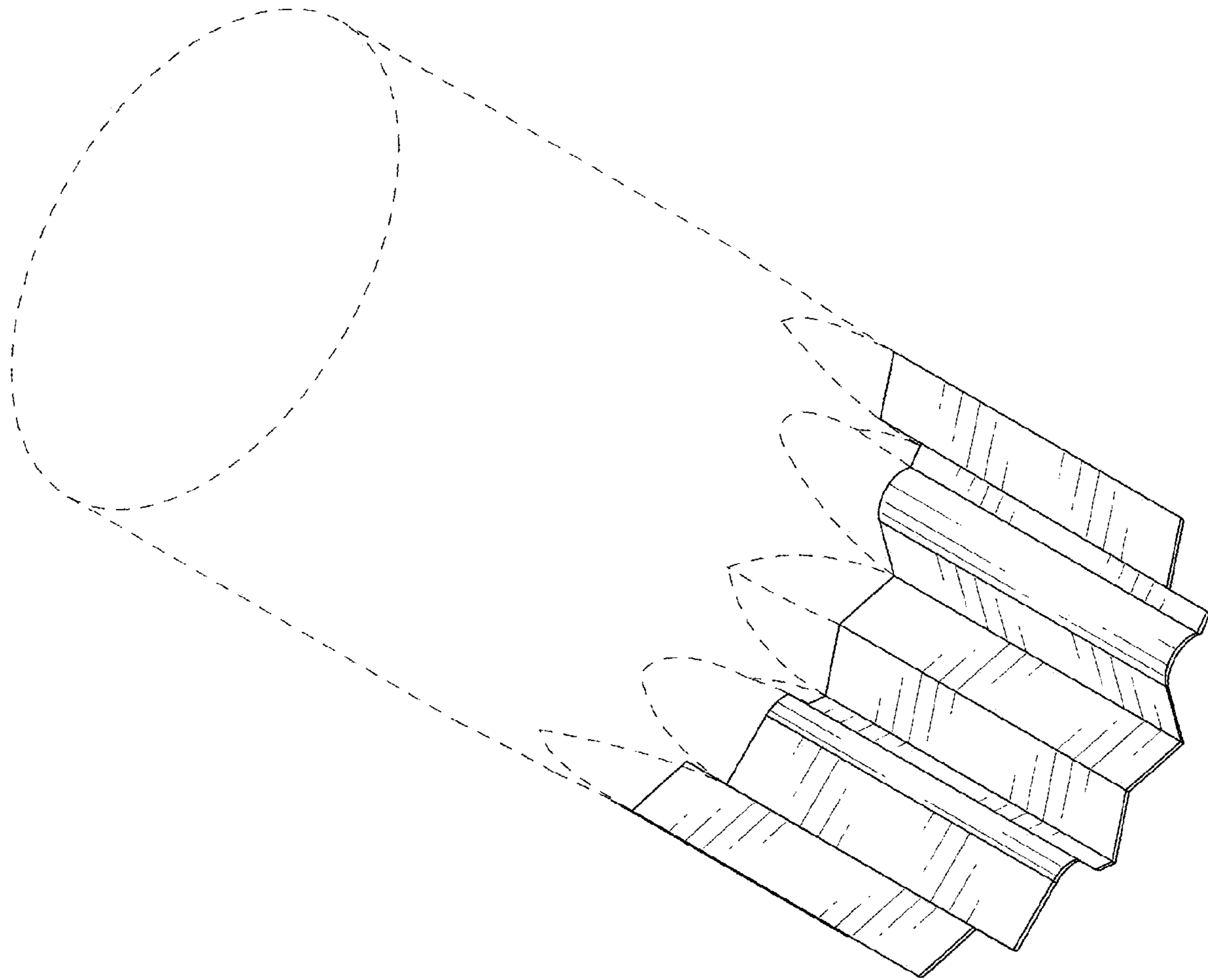


FIG. 2

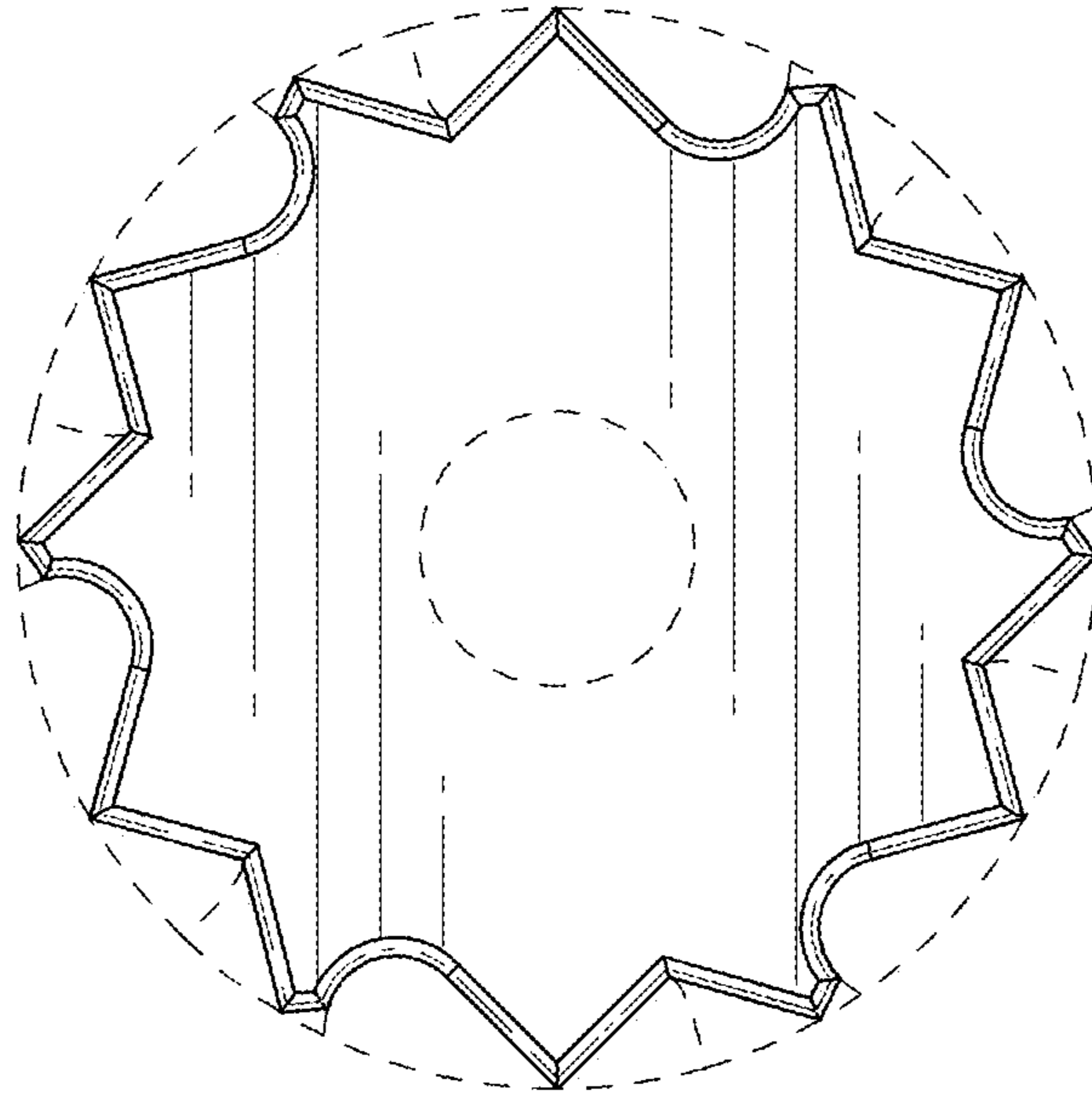


FIG. 3

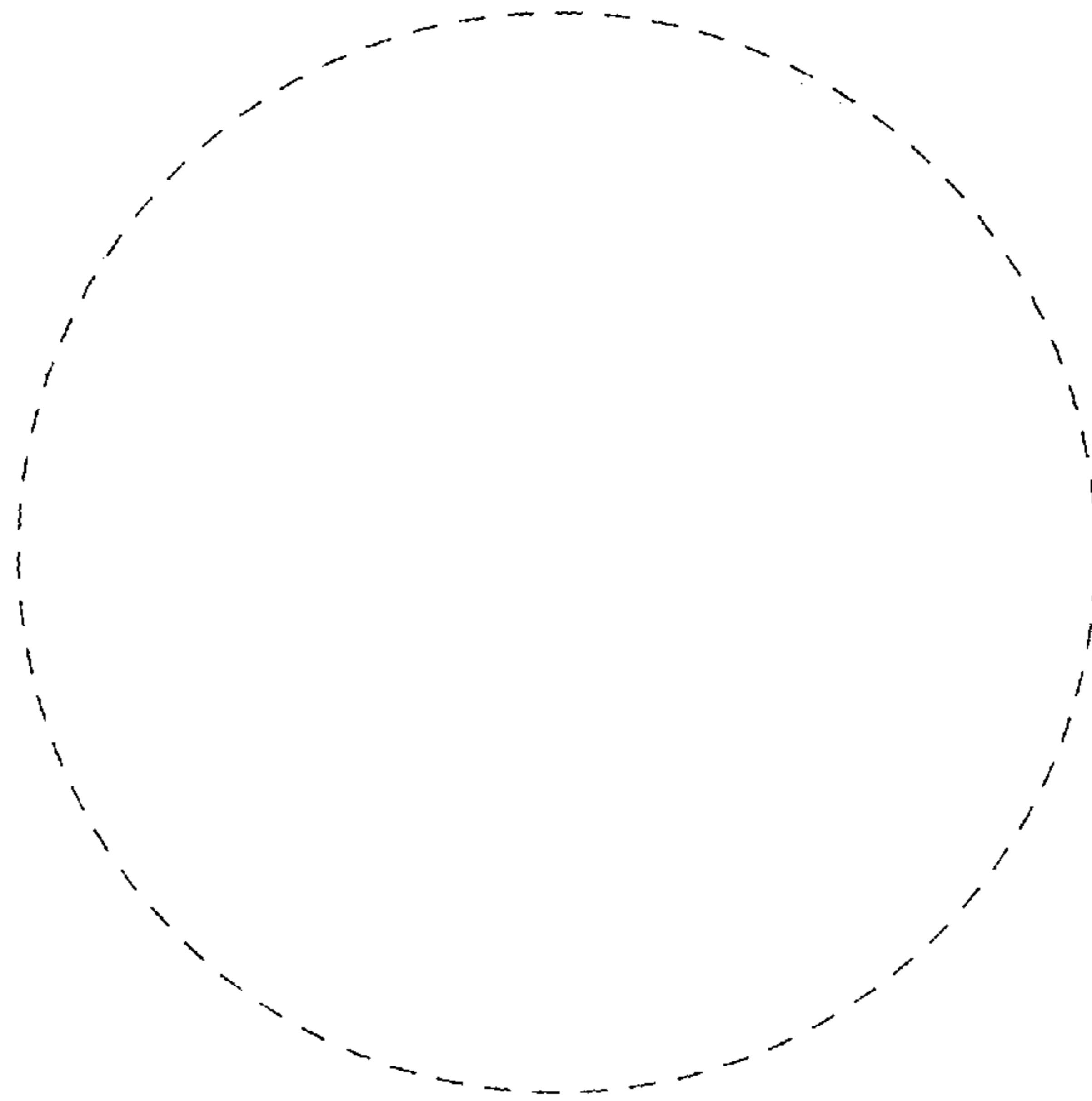


FIG. 4

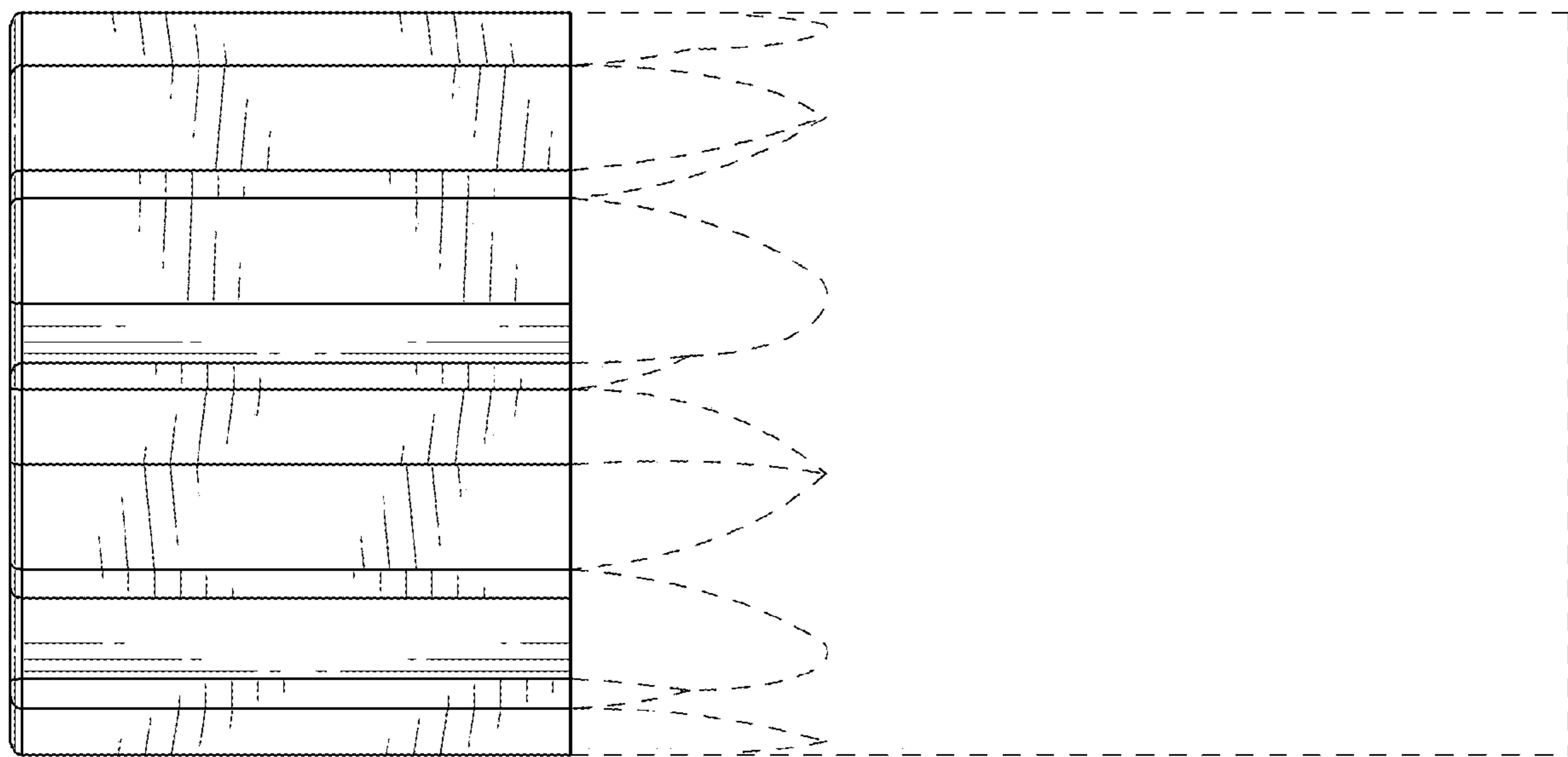


FIG. 5

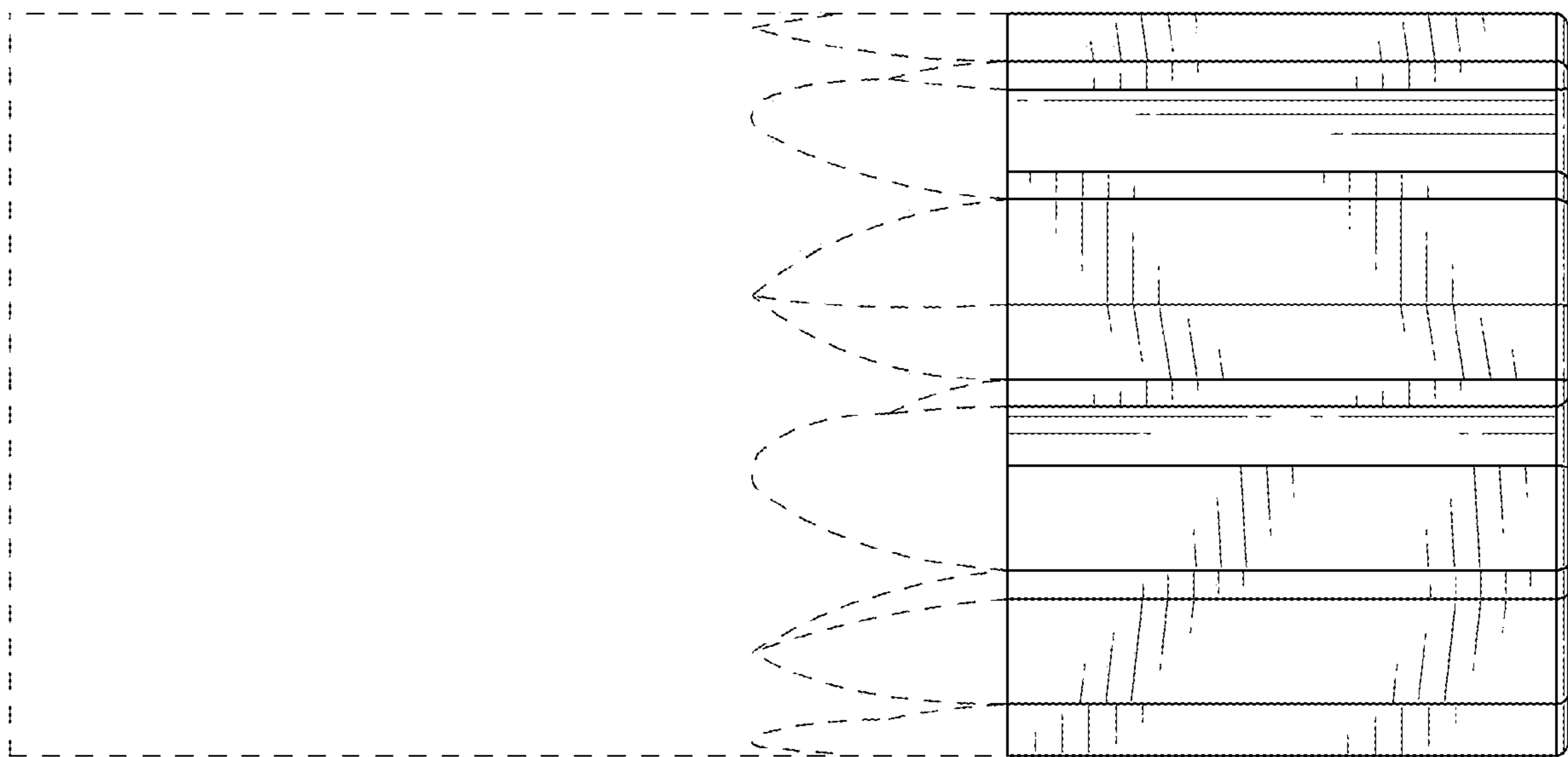


FIG. 6

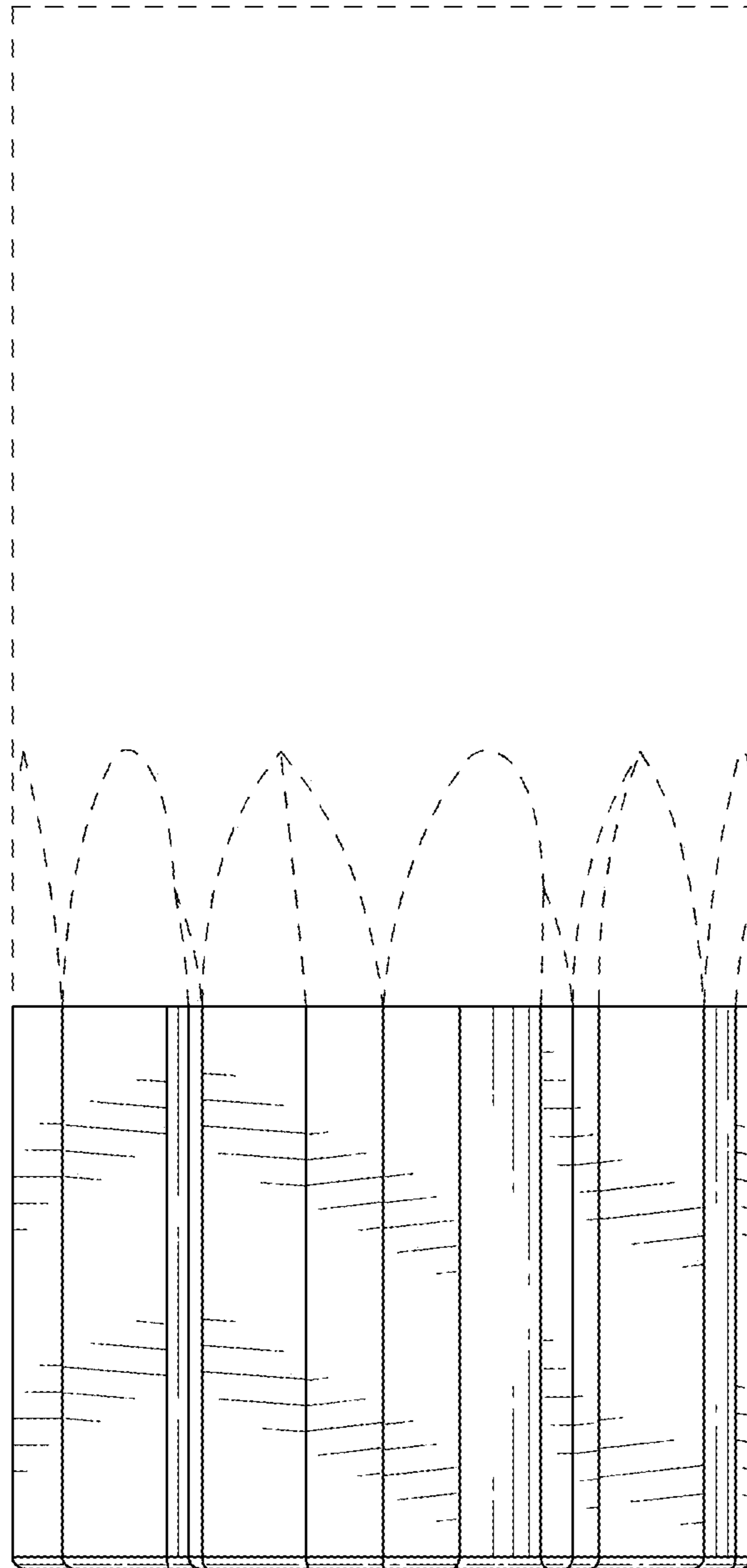


FIG. 7

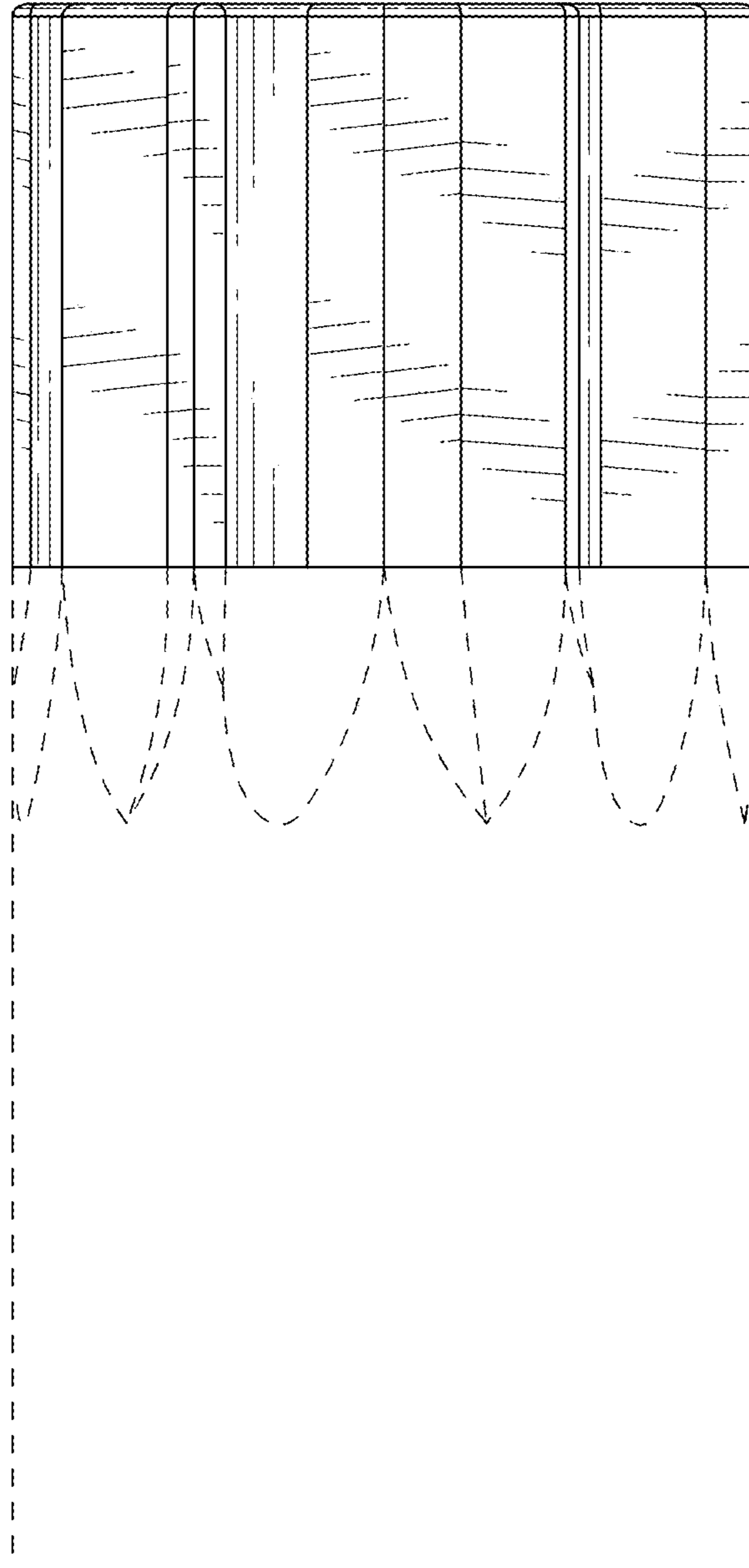


FIG. 8