

US00D879575S

(12) **United States Design Patent**  
**Liu**

(10) **Patent No.:** **US D879,575 S**  
(45) **Date of Patent:** **\*\* Mar. 31, 2020**

(54) **POWER TOOL**

(71) Applicant: **BLACK & DECKER INC.**, New Britain, CT (US)

(72) Inventor: **Chao Lien Liu**, Taichung (TW)

(73) Assignee: **BLACK & DECKER INC.**, New Britain, CT (US)

(\*\*) Term: **15 Years**

(21) Appl. No.: **29/679,116**

(22) Filed: **Feb. 1, 2019**

(51) **LOC (12) Cl.** ..... **08-01**

(52) **U.S. Cl.**  
USPC ..... **D8/61**

(58) **Field of Classification Search**  
USPC ..... D8/61, 62, 67, 69; 81/57, 57.11, 57.14, 81/57.26, 429, 464, 469; 173/2, 170, 173/176, 181  
CPC ..... B25B 21/00; F16D 41/206; B25F 5/001  
See application file for complete search history.

(56) **References Cited**

**U.S. PATENT DOCUMENTS**

D484,380 S \* 12/2003 Chen ..... D8/61  
D492,561 S \* 7/2004 Chen ..... D8/61

D492,562 S \* 7/2004 Chen ..... D8/61  
D498,398 S \* 11/2004 Chen ..... D8/61  
D499,000 S \* 11/2004 Chen ..... D8/61  
D682,647 S \* 5/2013 Yaschur ..... D8/61  
D682,648 S \* 5/2013 Yaschur ..... D8/61  
D696,091 S \* 12/2013 Yaschur ..... D8/61  
D696,092 S \* 12/2013 Yaschur ..... D8/61

\* cited by examiner

*Primary Examiner* — Austin Murphy

(74) *Attorney, Agent, or Firm* — Adan Ayala

(57) **CLAIM**

The ornamental design for a power tool, as shown and described.

**DESCRIPTION**

FIG. 1 is a front perspective view of a power tool according to the invention.

FIG. 2 is a front view of the power tool of FIG. 1.

FIG. 3 is a rear view of the power tool of FIG. 1.

FIG. 4 is a right side view of the power tool of FIG. 1.

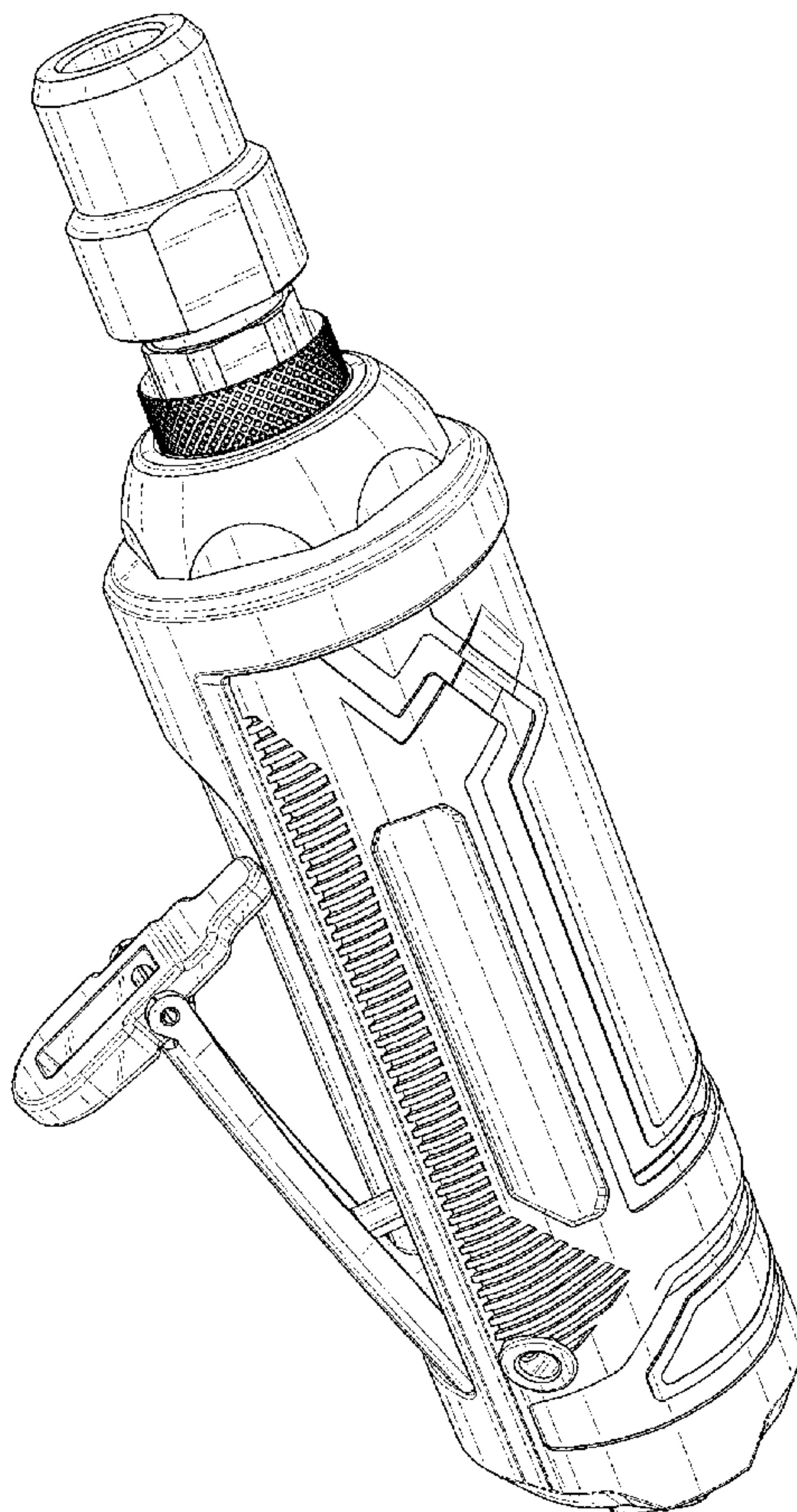
FIG. 5 is a left side view of the power tool of FIG. 1.

FIG. 6 is a top plan view of the power tool of FIG. 1.

FIG. 7 is a bottom plan view of the power tool of FIG. 1; and,

FIG. 8 is a rear perspective view of the power tool of FIG. 1.

**1 Claim, 7 Drawing Sheets**



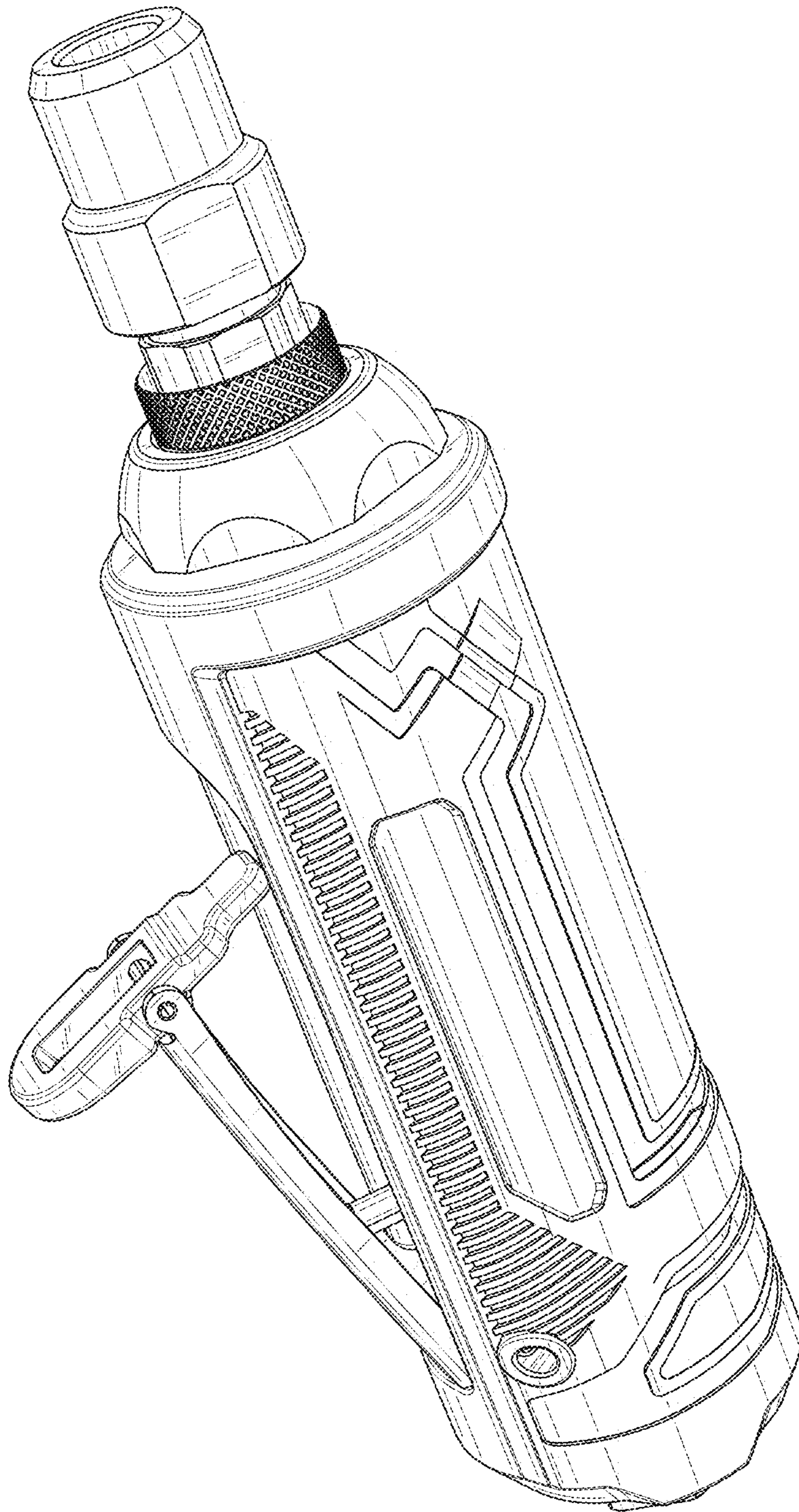


FIG. 1



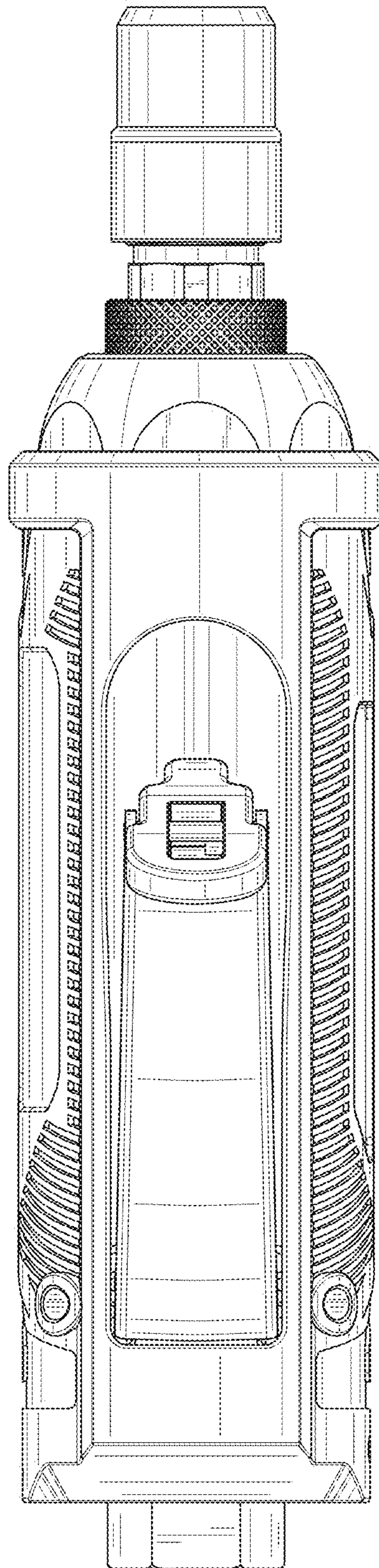


FIG. 2

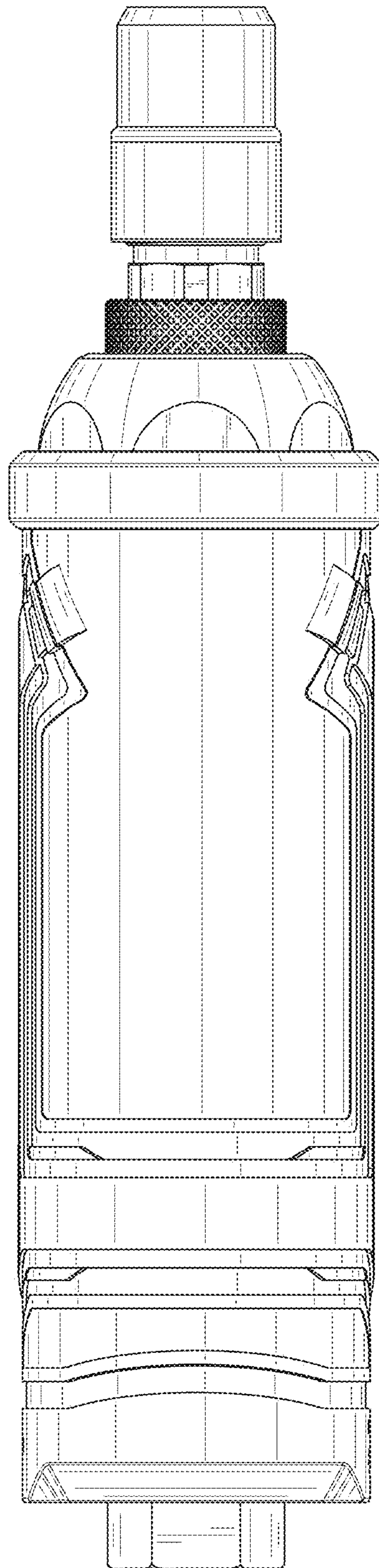


FIG. 3

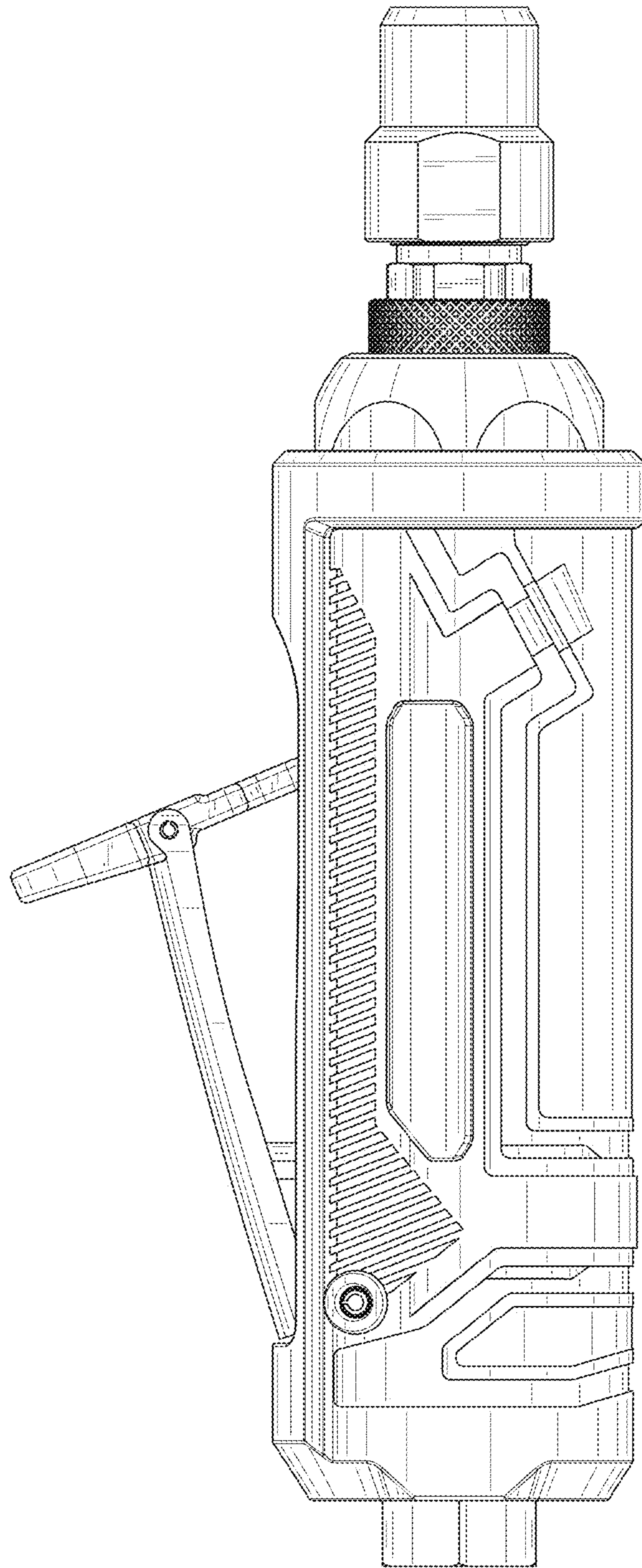


FIG. 4



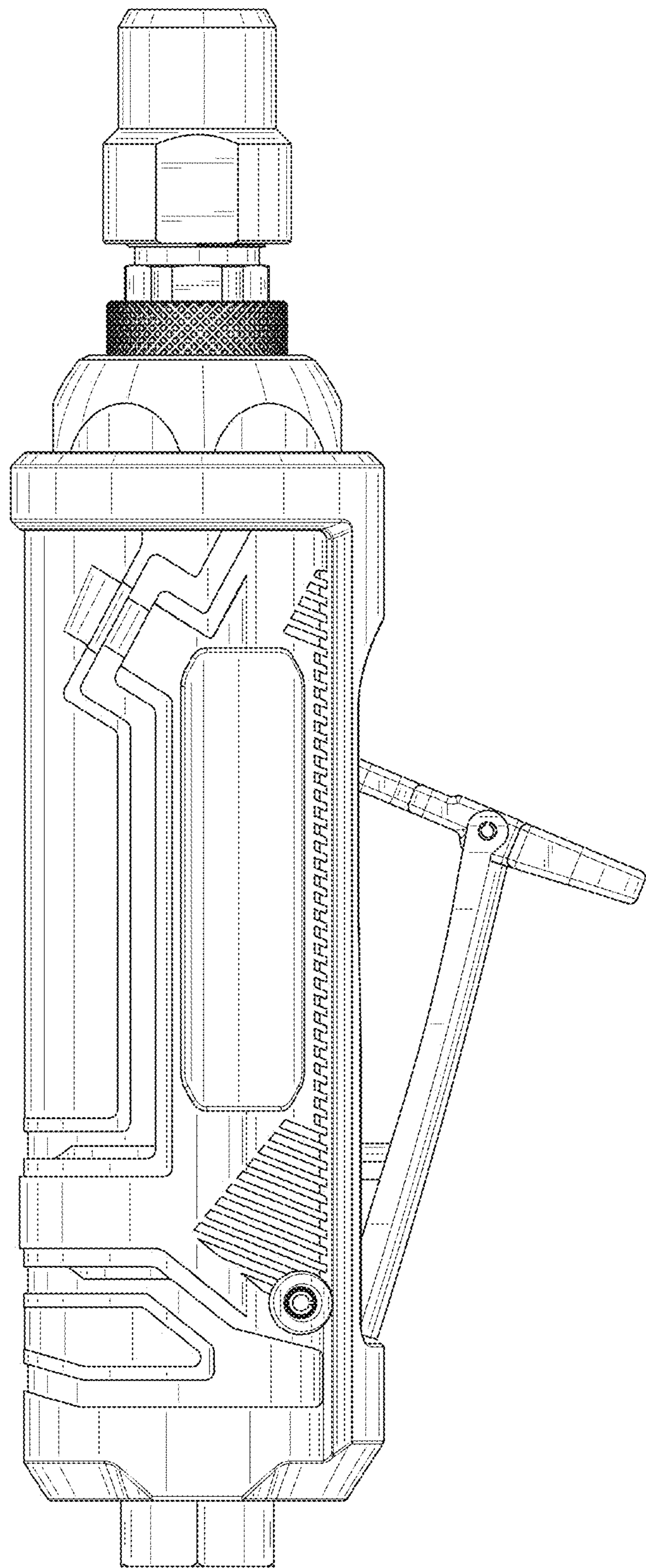


FIG. 5

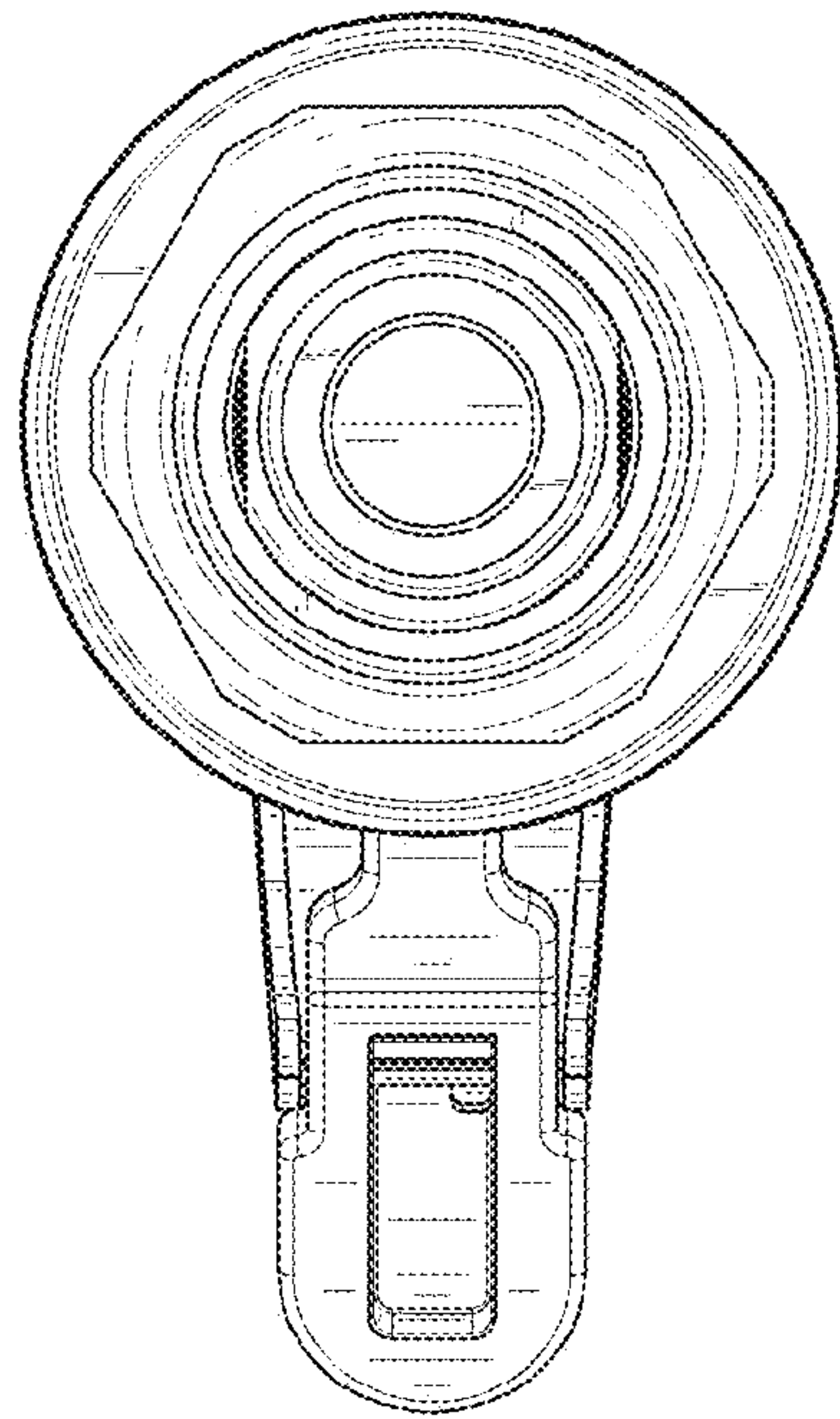


FIG. 6

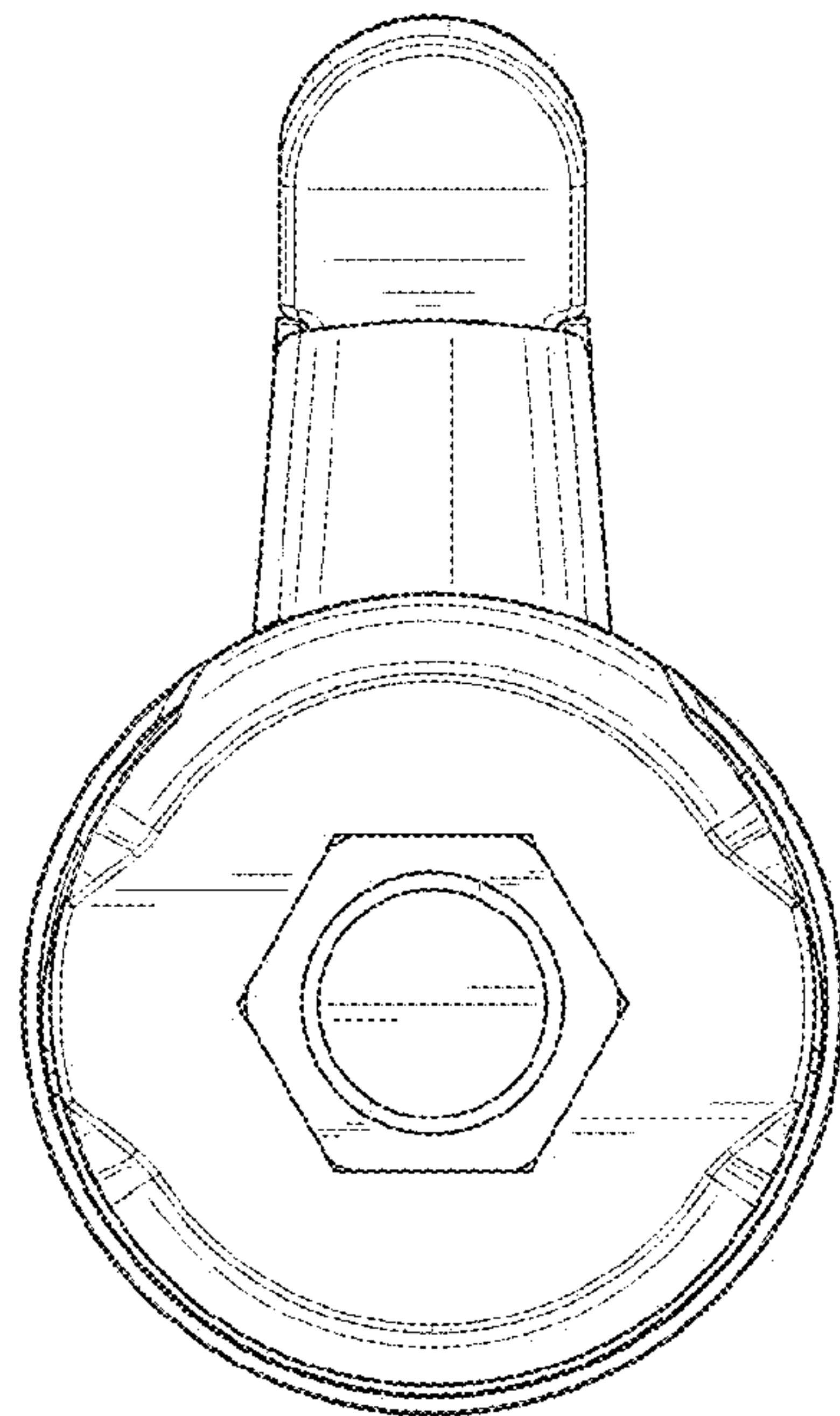


FIG. 7

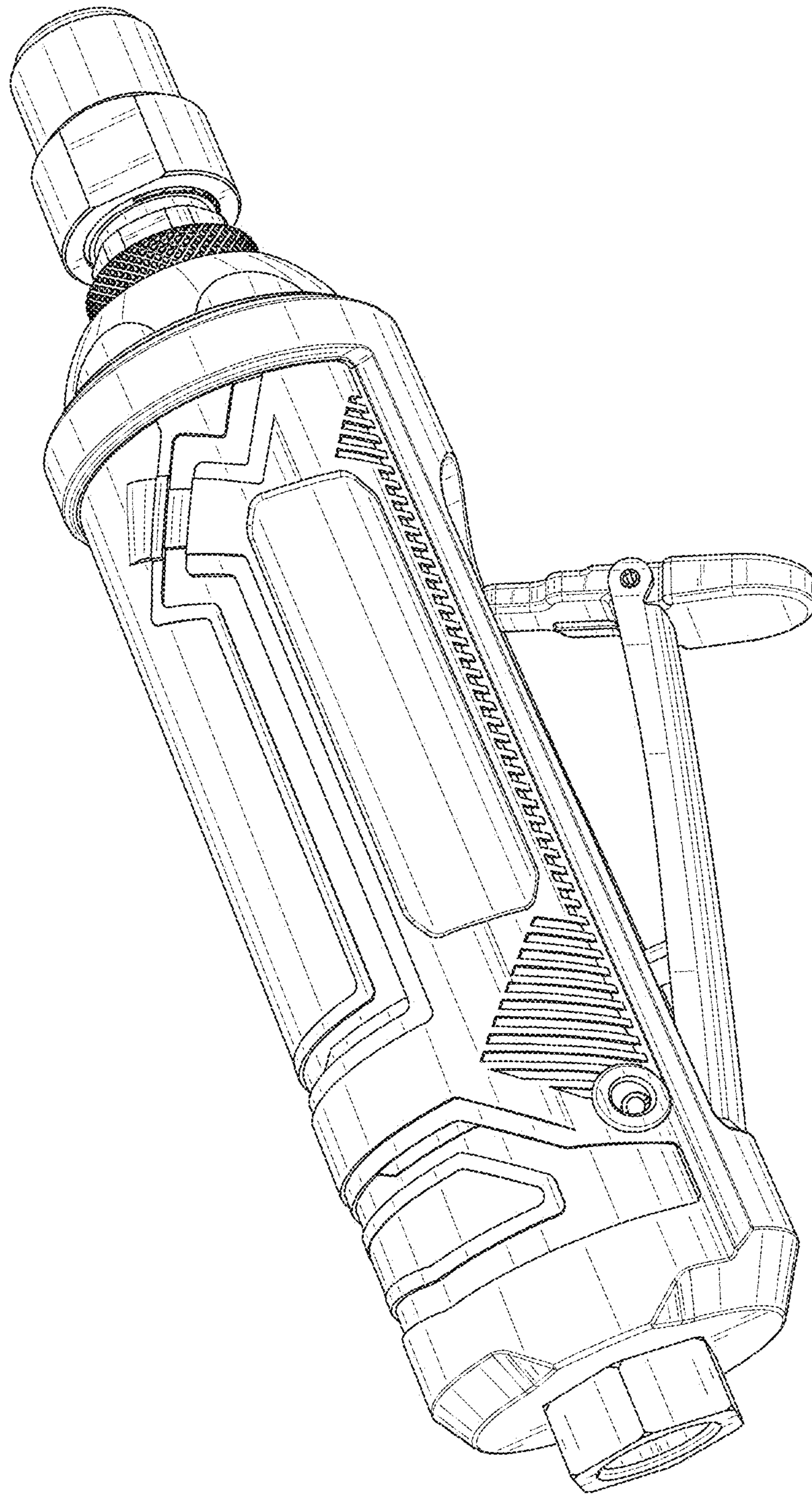


FIG. 8