



US00D879574S

(12) **United States Design Patent**
Liu

(10) **Patent No.:** **US D879,574 S**
(45) **Date of Patent:** **** Mar. 31, 2020**

(54) **POWER TOOL**

(71) Applicant: **BLACK & DECKER INC.**, New Britain, CT (US)

(72) Inventor: **Chao Lein Liu**, Taichung (TW)

(73) Assignee: **BLACK & DECKER INC.**, New Britain, CT (US)

(**) Term: **15 Years**

(21) Appl. No.: **29/679,113**

(22) Filed: **Feb. 1, 2019**

(51) **LOC (12) Cl.** **08-01**

(52) **U.S. Cl.**
USPC **D8/61**

(58) **Field of Classification Search**
USPC D8/61, 62, 67, 69; 81/57, 57.11, 57.14, 81/57.26, 429, 464, 469; 173/2, 170, 173/176, 181
CPC B25B 21/00; F16D 41/206; B25F 5/001
See application file for complete search history.

(56) **References Cited**

U.S. PATENT DOCUMENTS

D440,848 S	*	4/2001	Izumisawa	D8/61
D447,029 S	*	8/2001	Sun	D8/61
D468,173 S	*	1/2003	Morgan	D8/61
D484,380 S	*	12/2003	Chen	D8/61

D492,176 S	*	6/2004	Chen	D8/61
D492,561 S	*	7/2004	Chen	D8/61
D492,562 S	*	7/2004	Chen	D8/61
D498,398 S	*	11/2004	Chen	D8/61
D499,000 S	*	11/2004	Chen	D8/61
D682,647 S	*	5/2013	Yaschur	D8/61
D682,648 S	*	5/2013	Yaschur	D8/61
D696,091 S	*	12/2013	Yaschur	D8/61
D696,092 S	*	12/2013	Yaschur	D8/61

* cited by examiner

Primary Examiner — Austin Murphy

(74) *Attorney, Agent, or Firm* — Adan Ayala

(57) **CLAIM**

The ornamental design for a power tool, as shown and described.

DESCRIPTION

FIG. 1 is a front perspective view of a power tool according to the invention.

FIG. 2 is a front view of the power tool of FIG. 1.

FIG. 3 is a rear view of the power tool of FIG. 1.

FIG. 4 is a right side view of the power tool of FIG. 1.

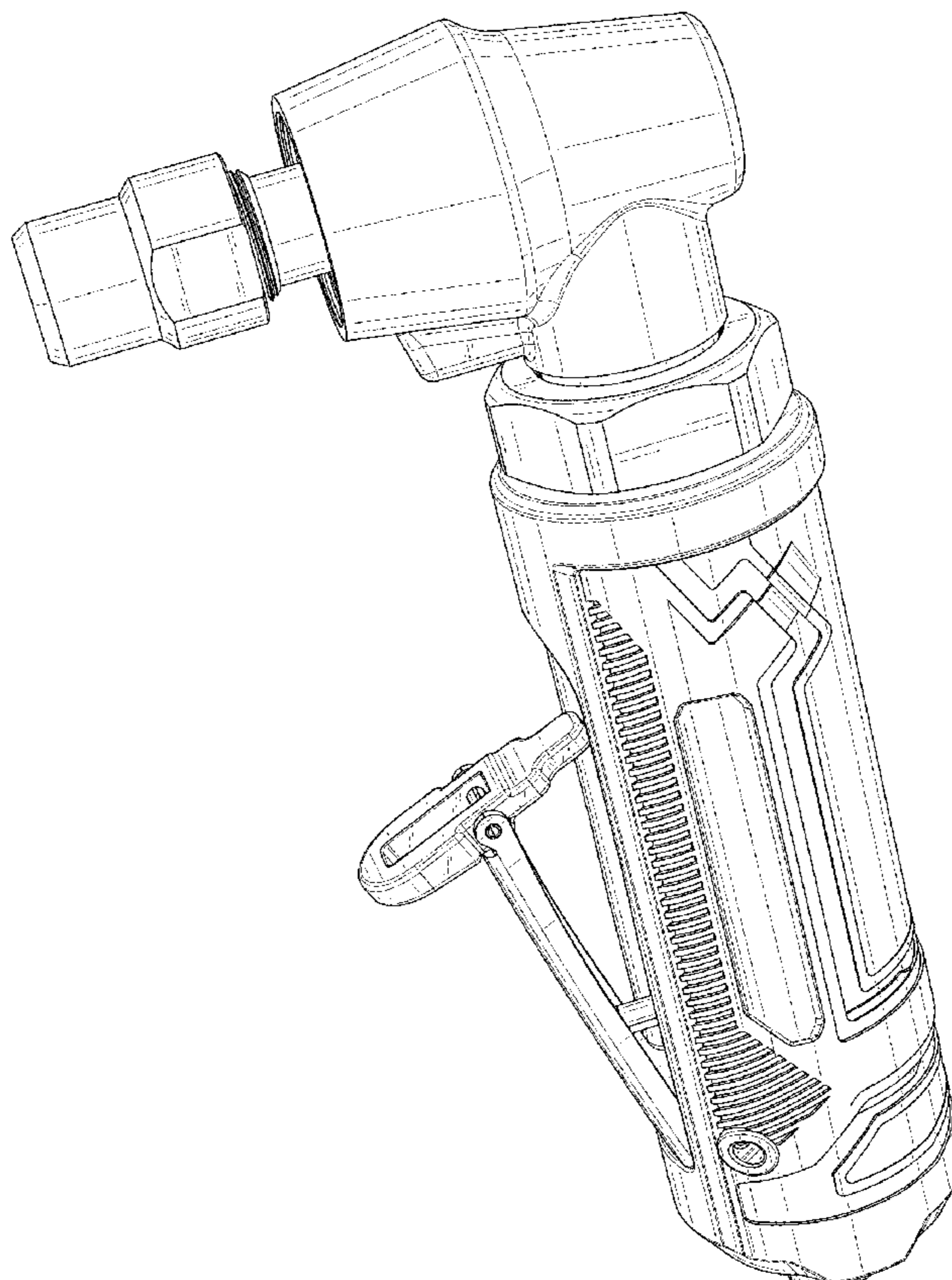
FIG. 5 is a left side view of the power tool of FIG. 1.

FIG. 6 is a top plan view of the power tool of FIG. 1.

FIG. 7 is a bottom plan view of the power tool of FIG. 1; and,

FIG. 8 is a rear perspective view of the power tool of FIG. 1.

1 Claim, 7 Drawing Sheets



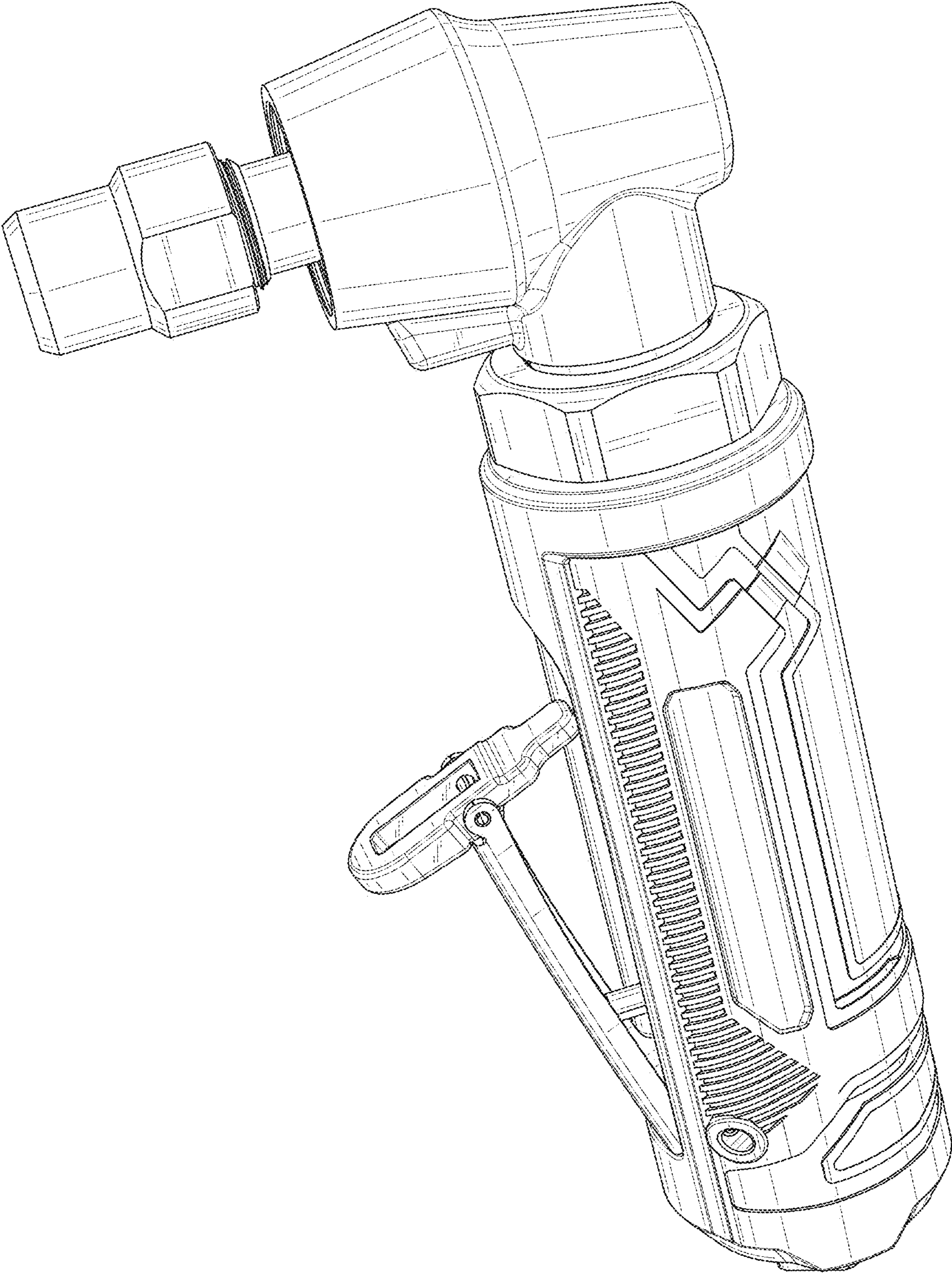


FIG. 1

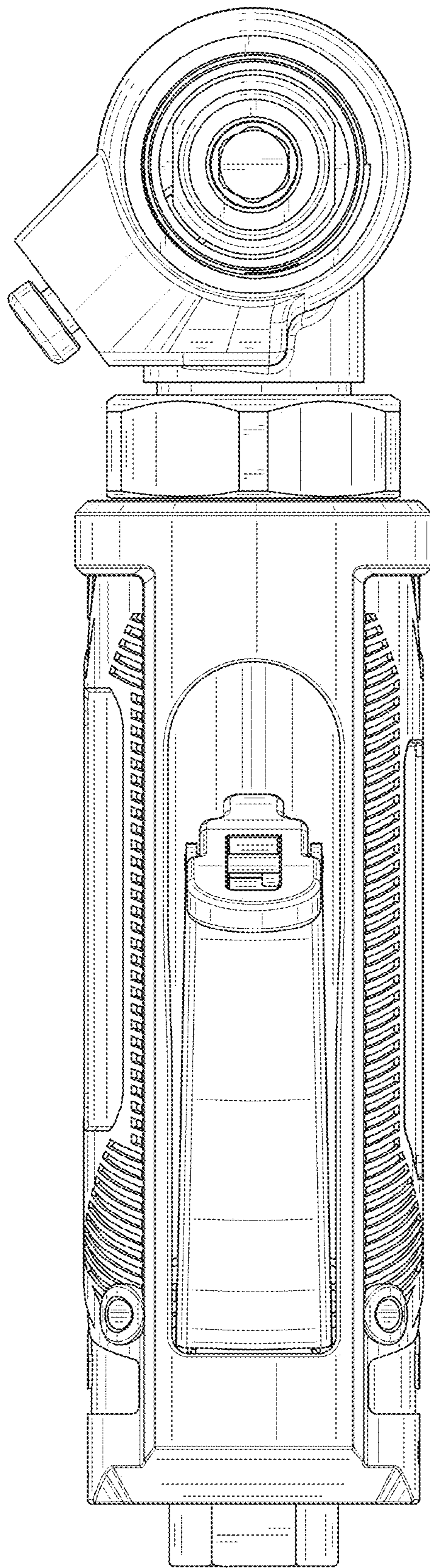


FIG. 2

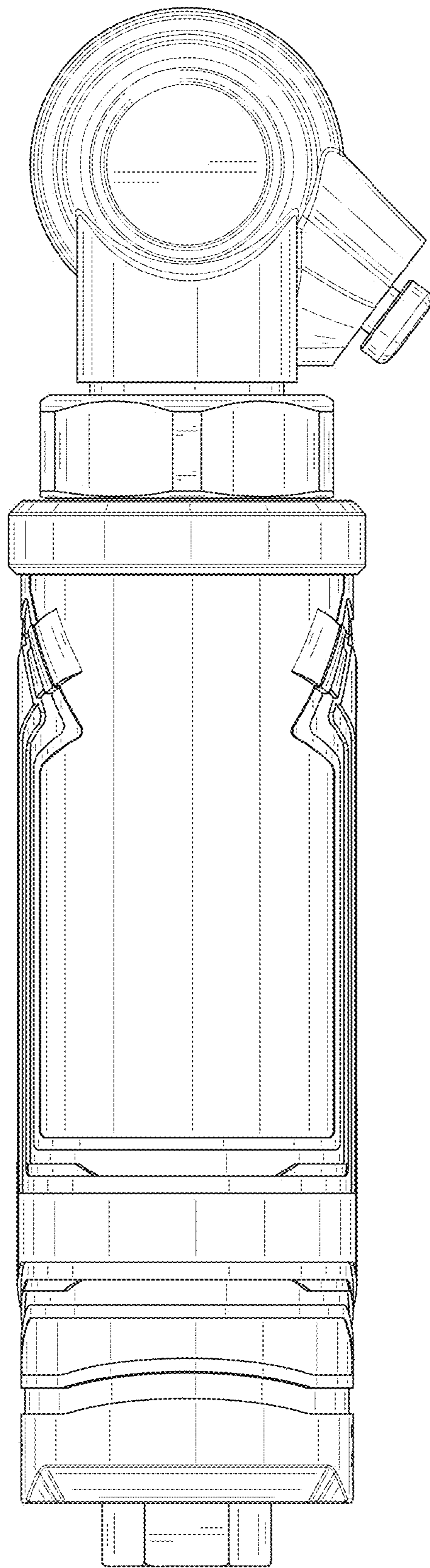


FIG. 3

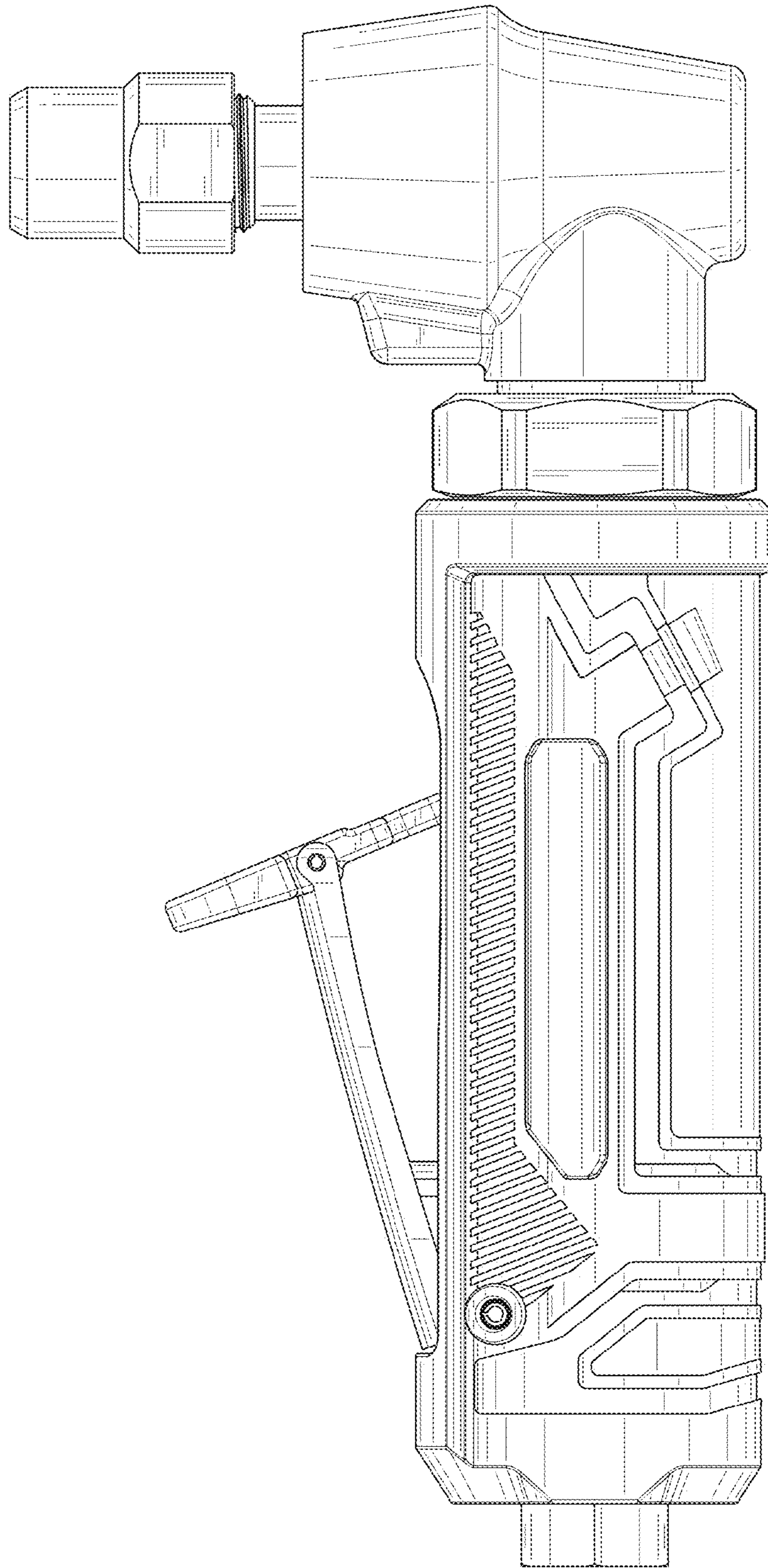


FIG. 4

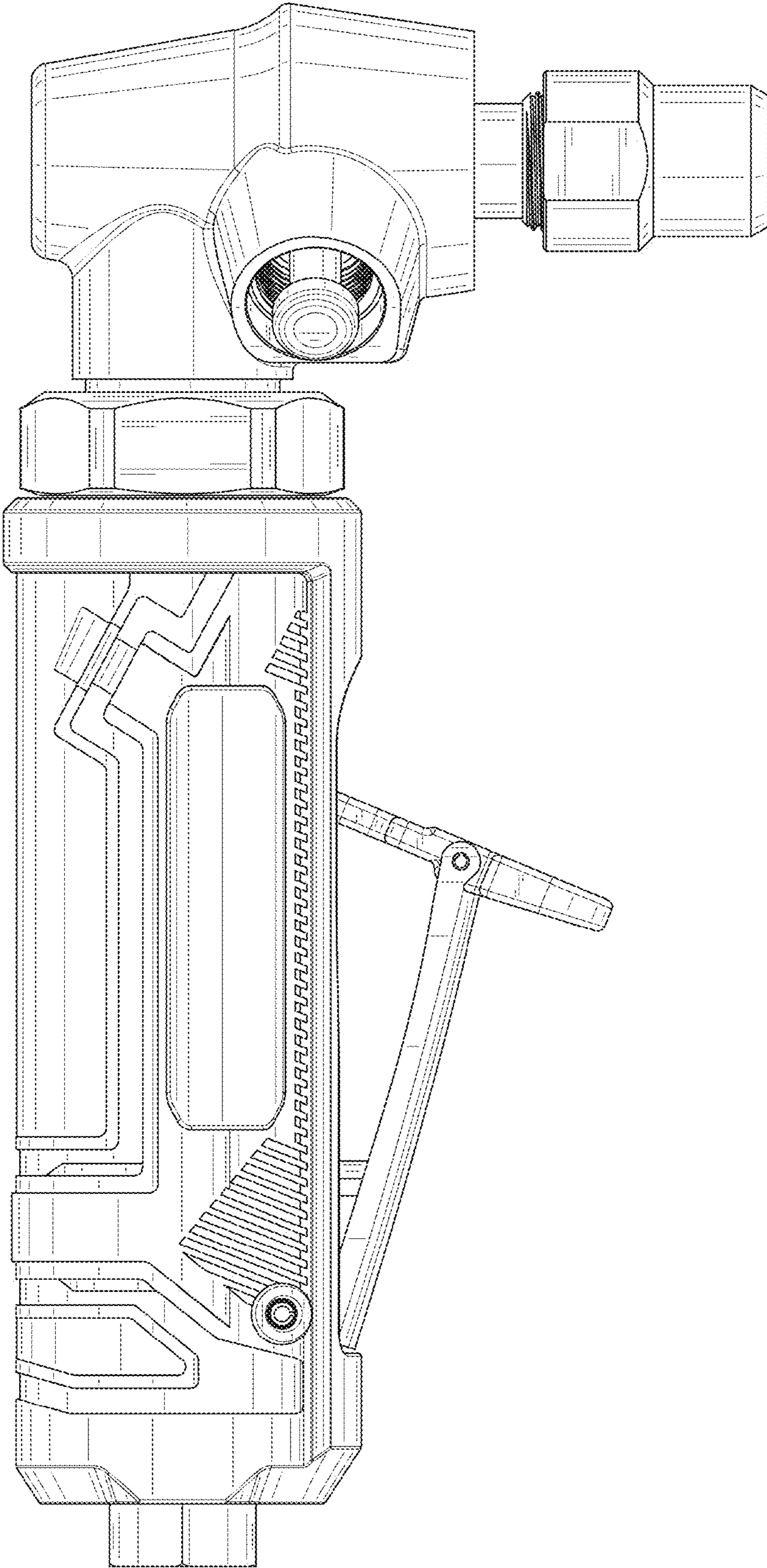


FIG. 5

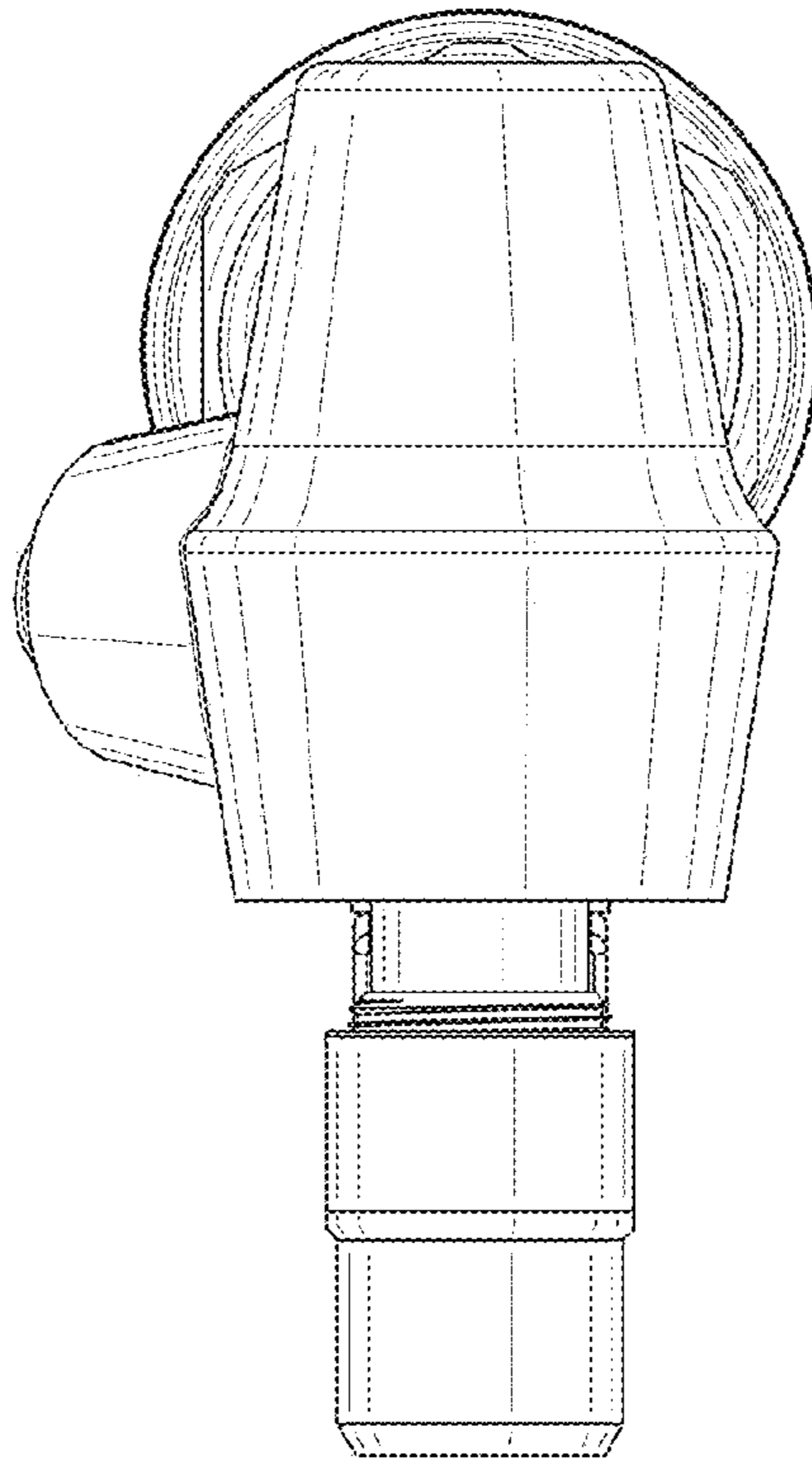


FIG. 6

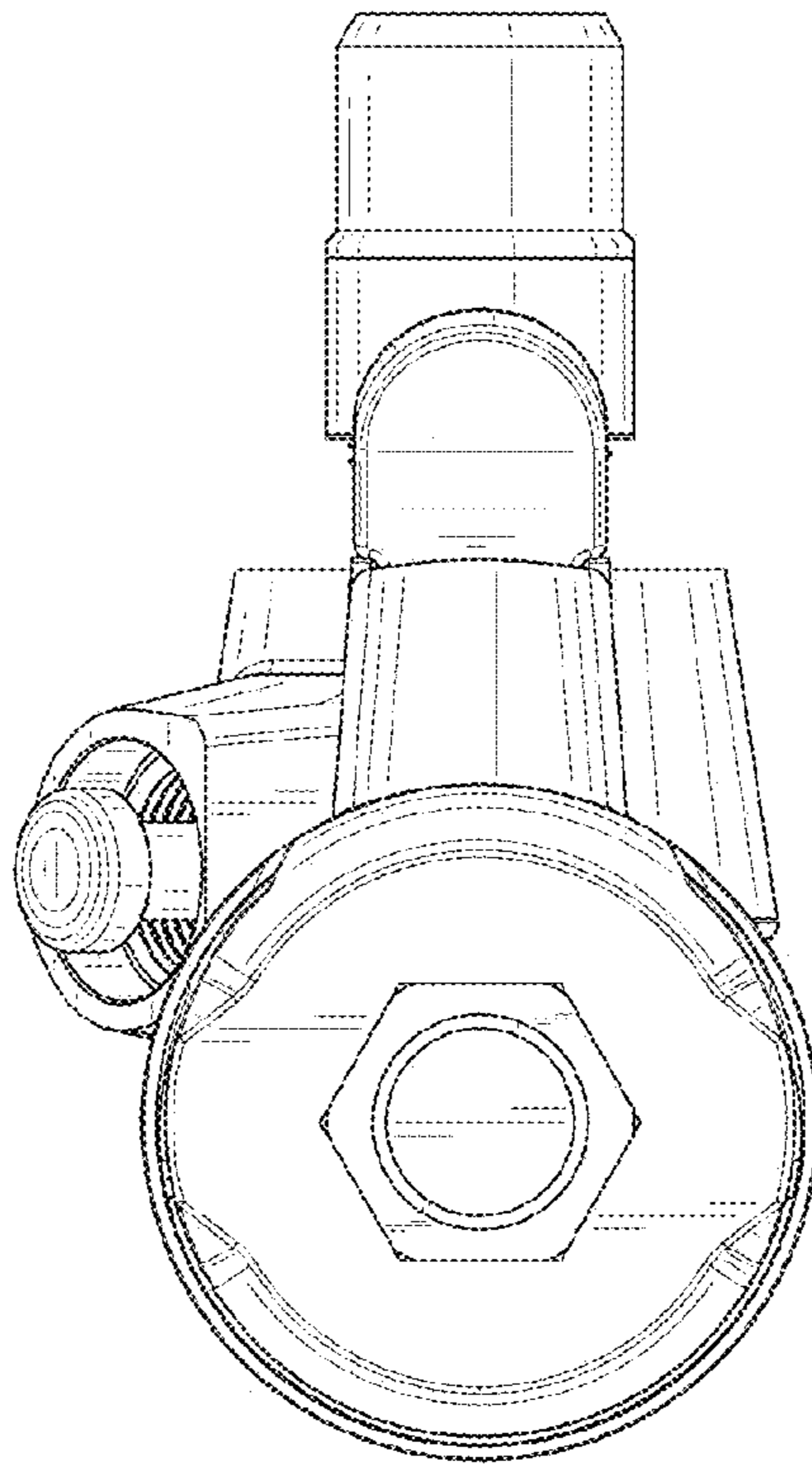


FIG. 7

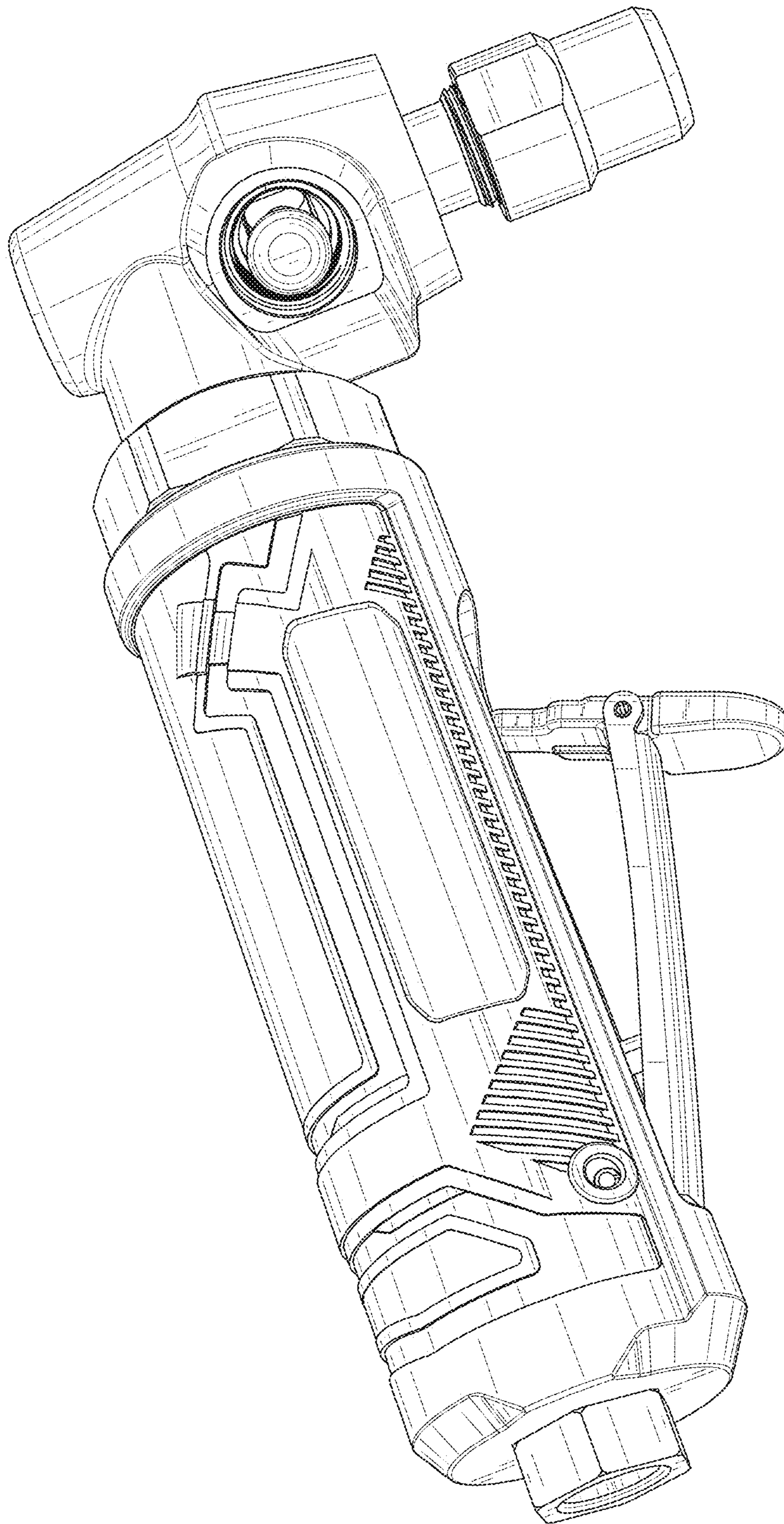


FIG. 8