



US00D879571S

(12) **United States Design Patent** (10) **Patent No.:** **US D879,571 S**
Thomas (45) **Date of Patent:** **** Mar. 31, 2020**

(54) **PLIERS WITH A GROMMET-STYLE FULCRUM**

(71) Applicant: **DO OUTDOORS, LLC**, Springfield, MI (US)

(72) Inventor: **Scott H. Thomas**, Canton, GA (US)

(73) Assignee: **DO OUTDOORS, LLC**, Springfield, MO (US)

(**) Term: **15 Years**

(21) Appl. No.: **29/602,571**

(22) Filed: **May 2, 2017**

(51) **LOC (12) Cl.** **08-05**

(52) **U.S. Cl.**
USPC **D8/52; D22/150**

(58) **Field of Classification Search**
USPC **D8/51-58; D22/149, 150**

(Continued)

(56) **References Cited**

U.S. PATENT DOCUMENTS

D449,501 S * 10/2001 Lamond D8/52
D532,269 S * 11/2006 Kaye D8/57

(Continued)

Primary Examiner — Deanna L Pratt

(74) *Attorney, Agent, or Firm* — K&L Gates LLP

(57) **CLAIM**

The ornamental design for pliers with a grommet-style fulcrum, as shown and described.

DESCRIPTION

The patent or application file contains at least one drawing executed in color. Copies of this patent or patent application publication with color drawing(s) will be provided by the Office upon request and payment of the necessary fee.

FIG. 1 a front perspective view of a first embodiment of pliers with a grommet-style fulcrum showing my new design;

FIG. 2 is a rear perspective view thereof;

FIG. 3 is a front elevational view thereof;

FIG. 4 is a rear elevational view thereof;

FIG. 5 is a top plan view thereof;

FIG. 6 is a bottom plan view thereof.

FIG. 7 is a left side elevational view thereof; and

FIG. 8 is a right side elevational view thereof;

FIG. 9 is a front perspective view of a second embodiment a grommet-style fulcrum showing my new design;

FIG. 10 is a rear perspective view thereof;

FIG. 11 is a front elevational view thereof;

FIG. 12 is a rear elevational view thereof;

FIG. 13 is a top plan view thereof;

FIG. 14 is a bottom plan view thereof.

FIG. 15 is a left side elevational view thereof; and

FIG. 16 is a right side elevational view thereof;

FIG. 17 is a front perspective view of a third embodiment of pliers with a grommet-style fulcrum showing my new design;

FIG. 18 is a rear perspective view thereof;

FIG. 19 is a front elevational view thereof;

FIG. 20 is a rear elevational view thereof;

FIG. 21 is a top plan view thereof;

FIG. 22 is a bottom plan view thereof.

FIG. 23 is a left side elevational view thereof; and

FIG. 24 is a right side elevational view thereof;

FIG. 25 is a front perspective of a fourth embodiment of pliers with a grommet-style fulcrum showing my new design;

FIG. 26 is a rear perspective view thereof;

FIG. 27 is a front elevational view thereof;

FIG. 28 is a rear elevational view thereof;

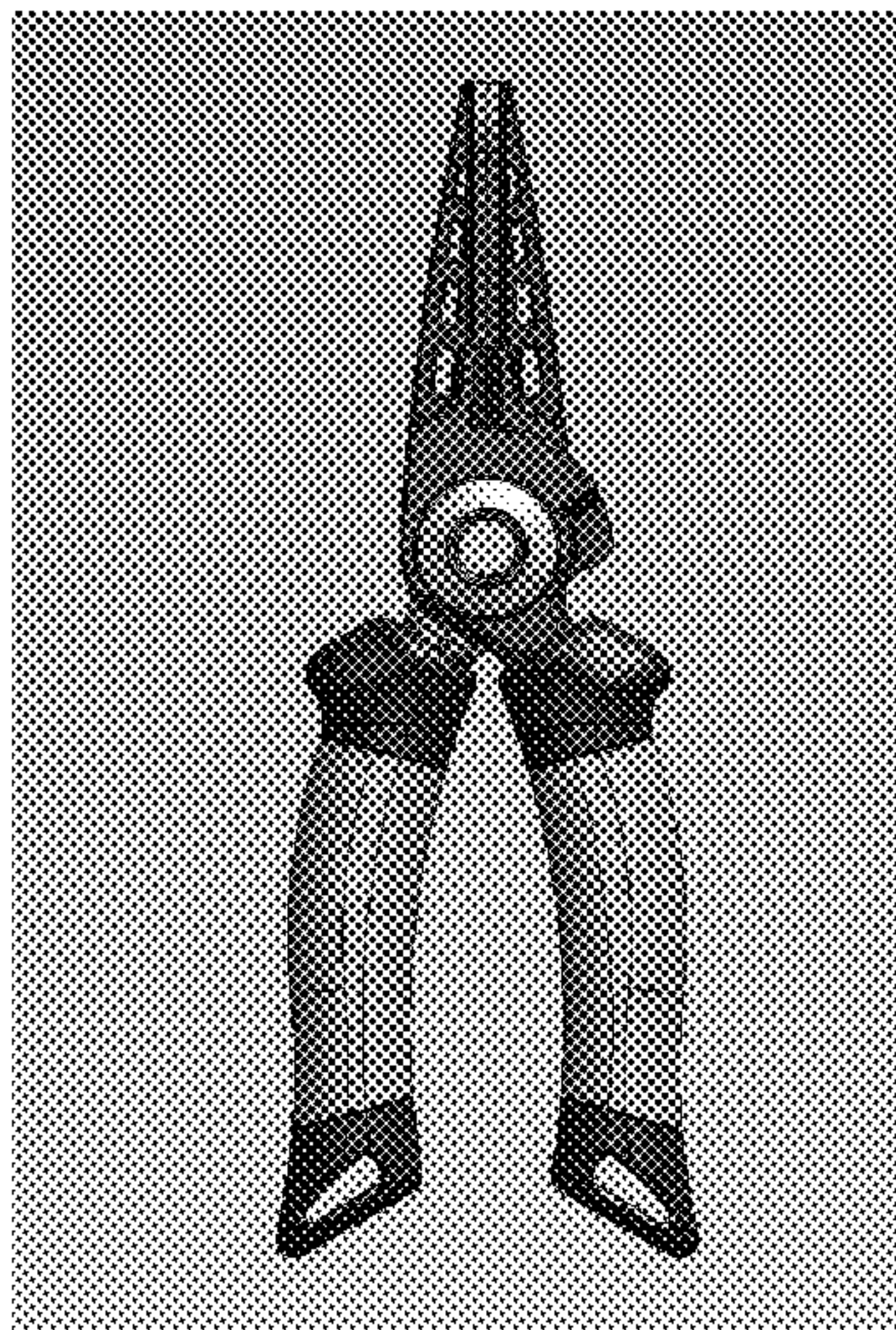
FIG. 29 is a top plan view thereof;

FIG. 30 is a bottom plan view thereof.

FIG. 31 is a left side elevational view thereof; and,

FIG. 32 is a right side elevational view thereof.

1 Claim, 32 Drawing Sheets
(32 of 32 Drawing Sheet(s) Filed in Color)



(58) **Field of Classification Search**

CPC B25F 1/003; A01K 97/00; B25B 7/02
See application file for complete search history.

(56) **References Cited**

U.S. PATENT DOCUMENTS

D548,555 S *	8/2007	Brady	D8/52
D597,811 S *	8/2009	Yu	D8/52
D611,791 S *	3/2010	Brands	D8/52
D618,299 S *	6/2010	Steiner	D22/149
D724,908 S *	3/2015	Constantine	D8/4
D787,014 S *	5/2017	Gibson	D22/149
D787,015 S *	5/2017	Gibson	D22/149
2007/0221016 A1 *	9/2007	Herbst	B25B 7/02 81/415

* cited by examiner

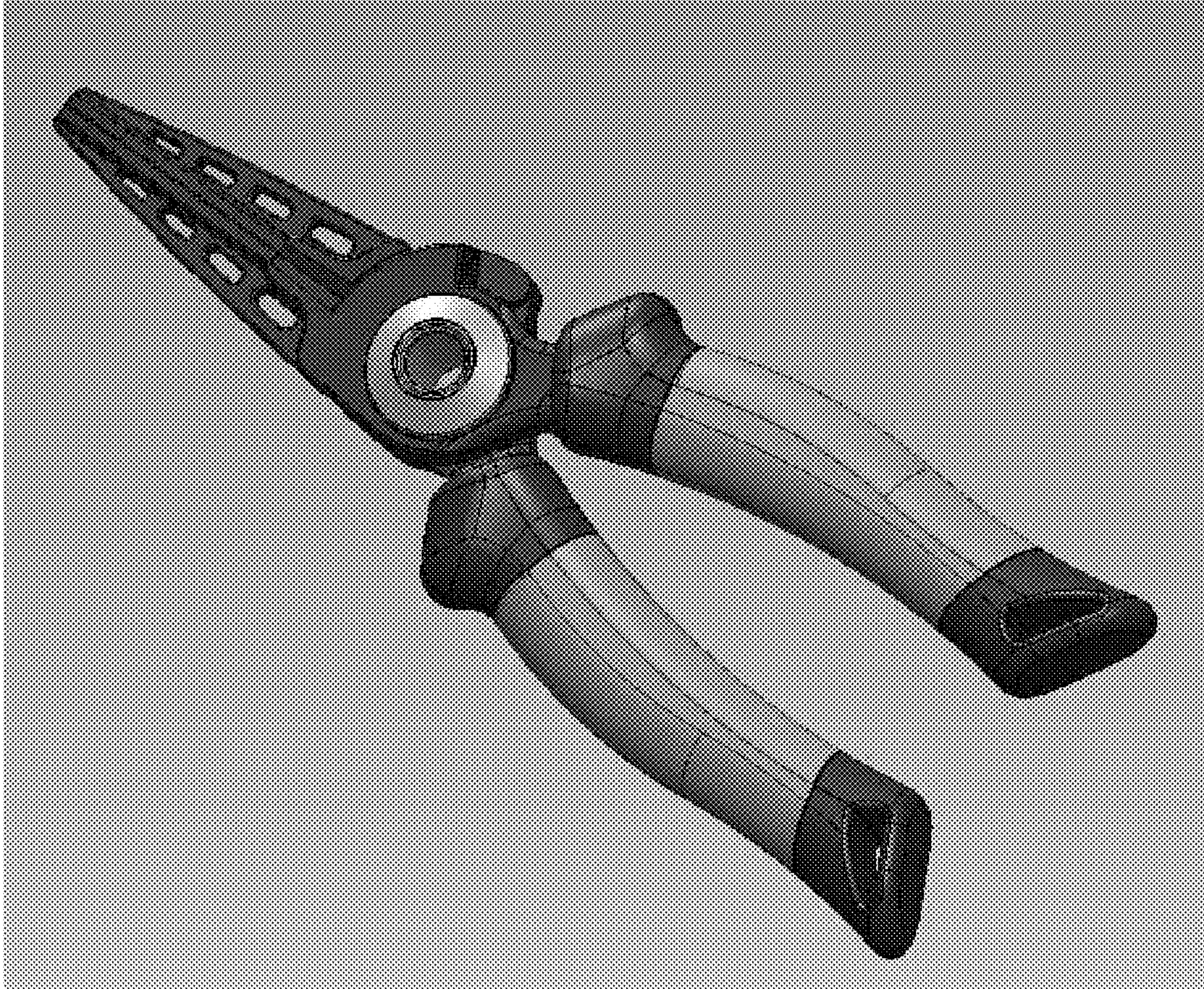


FIG. 1.

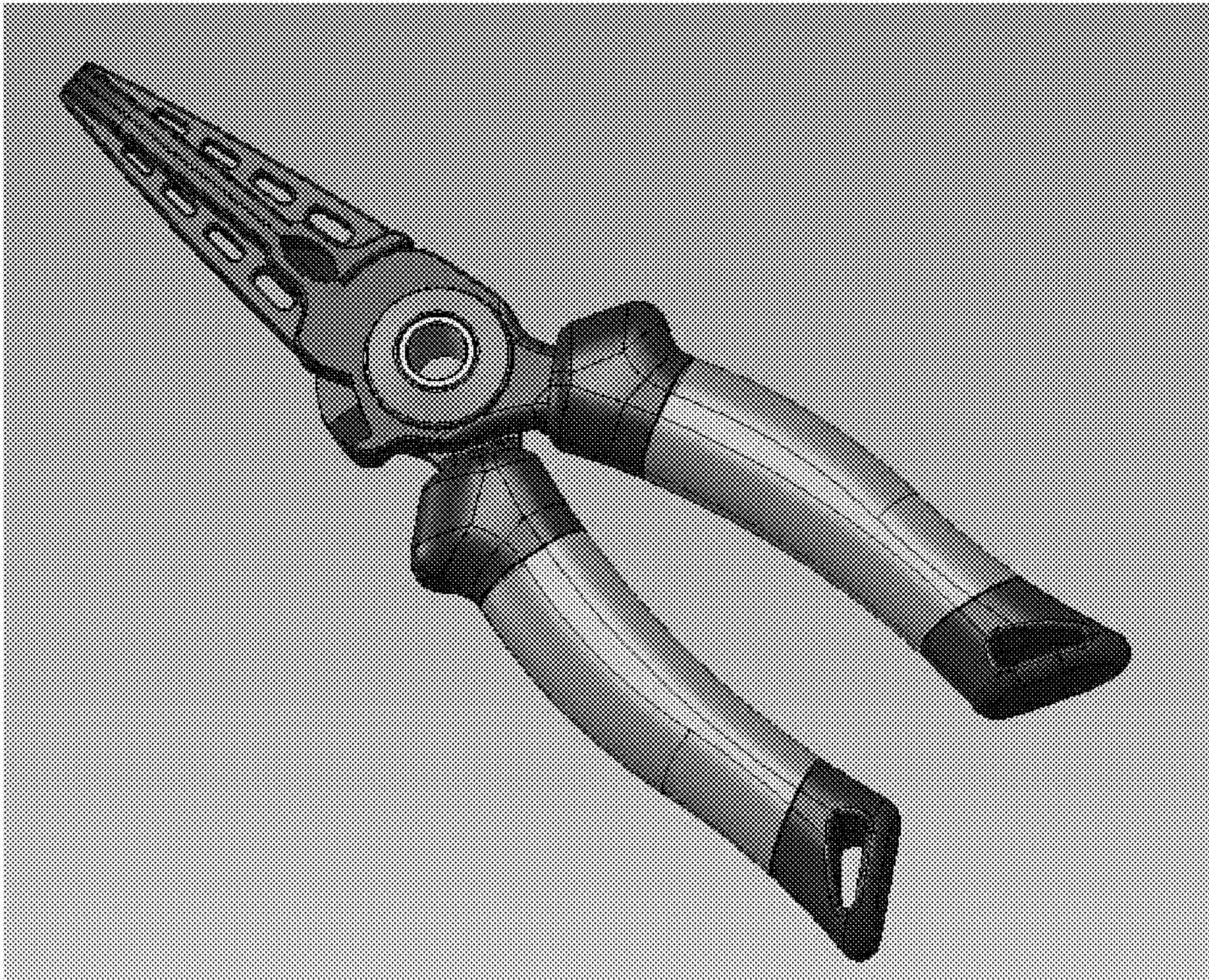


FIG. 2.

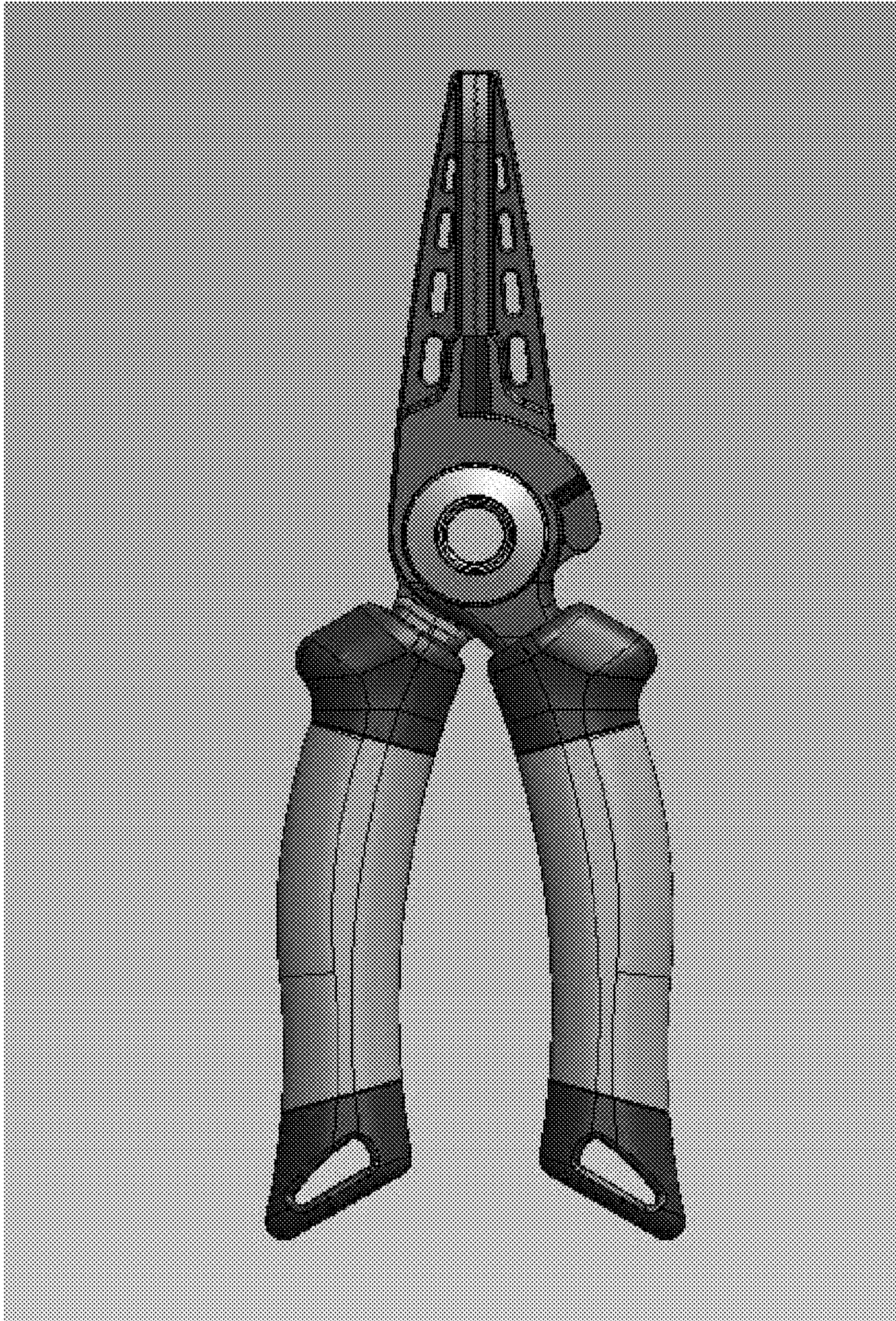


FIG. 3.



FIG. 4.

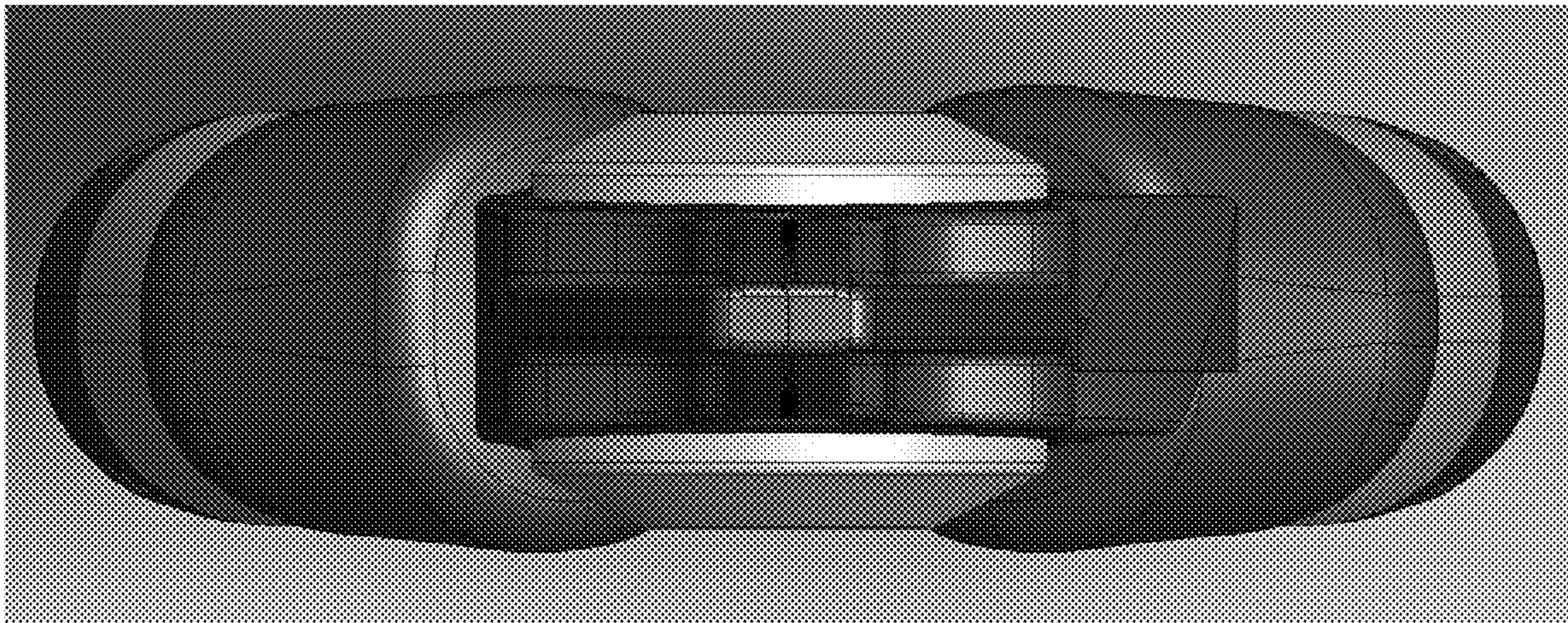


FIG. 5.

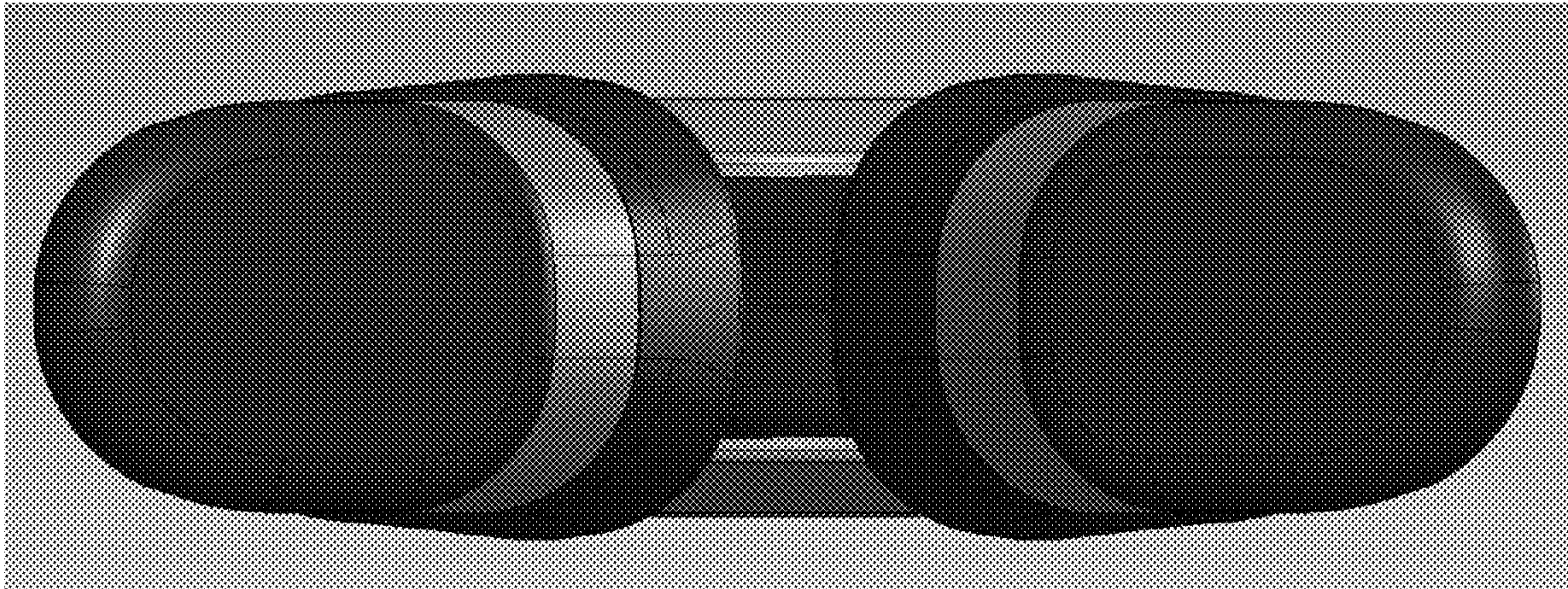


FIG. 6.

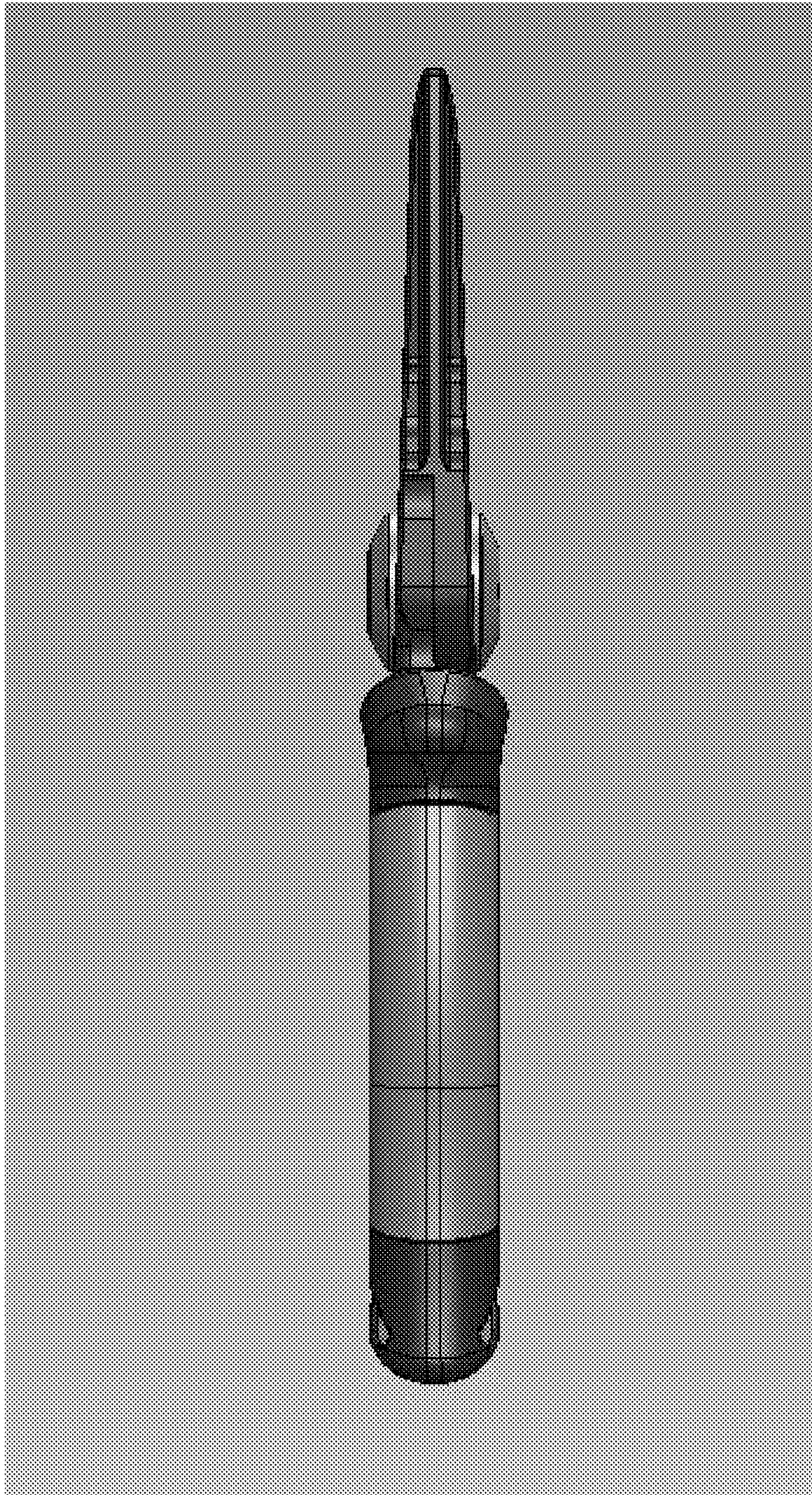


FIG. 7.

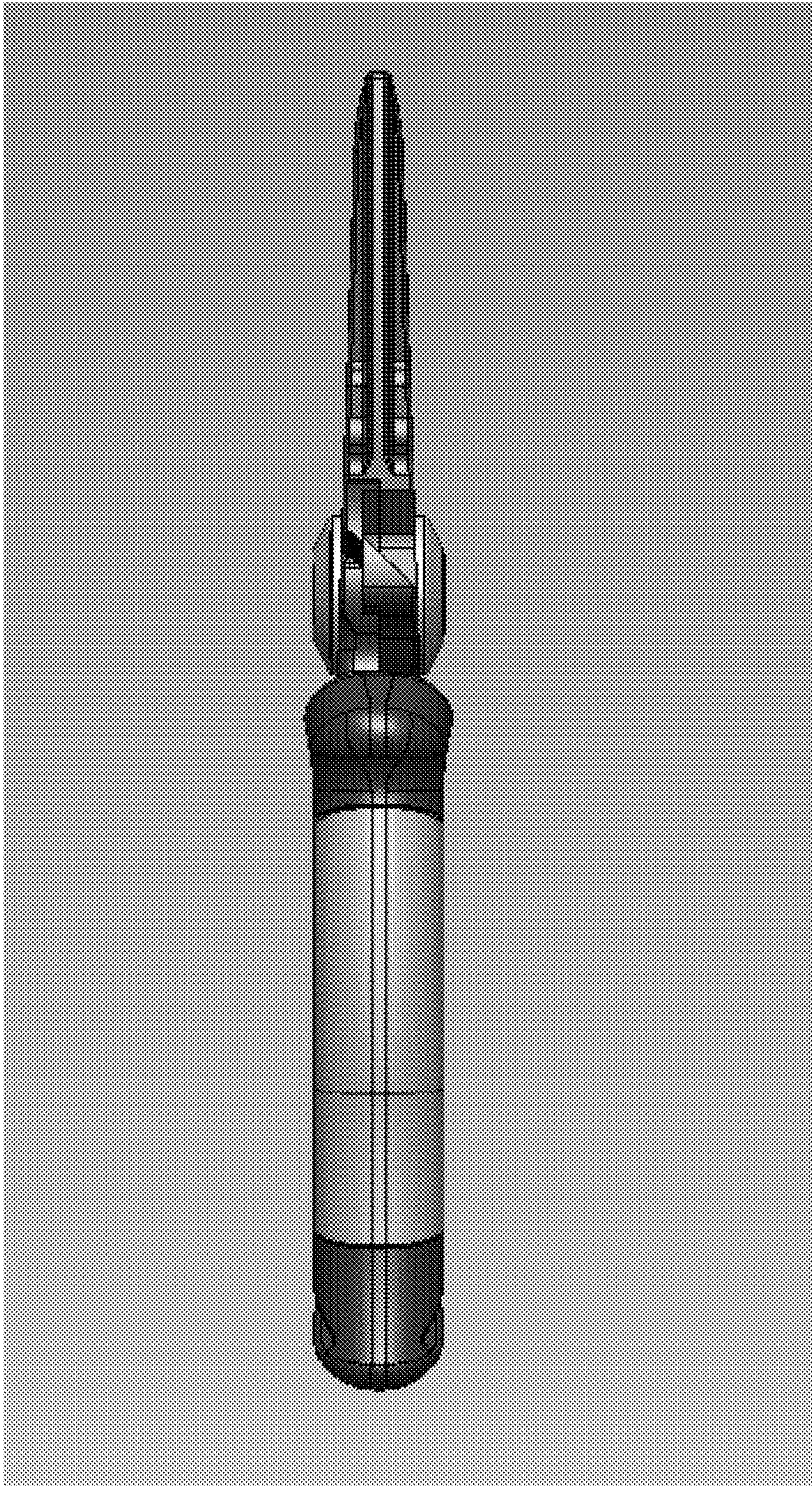


FIG. 8.

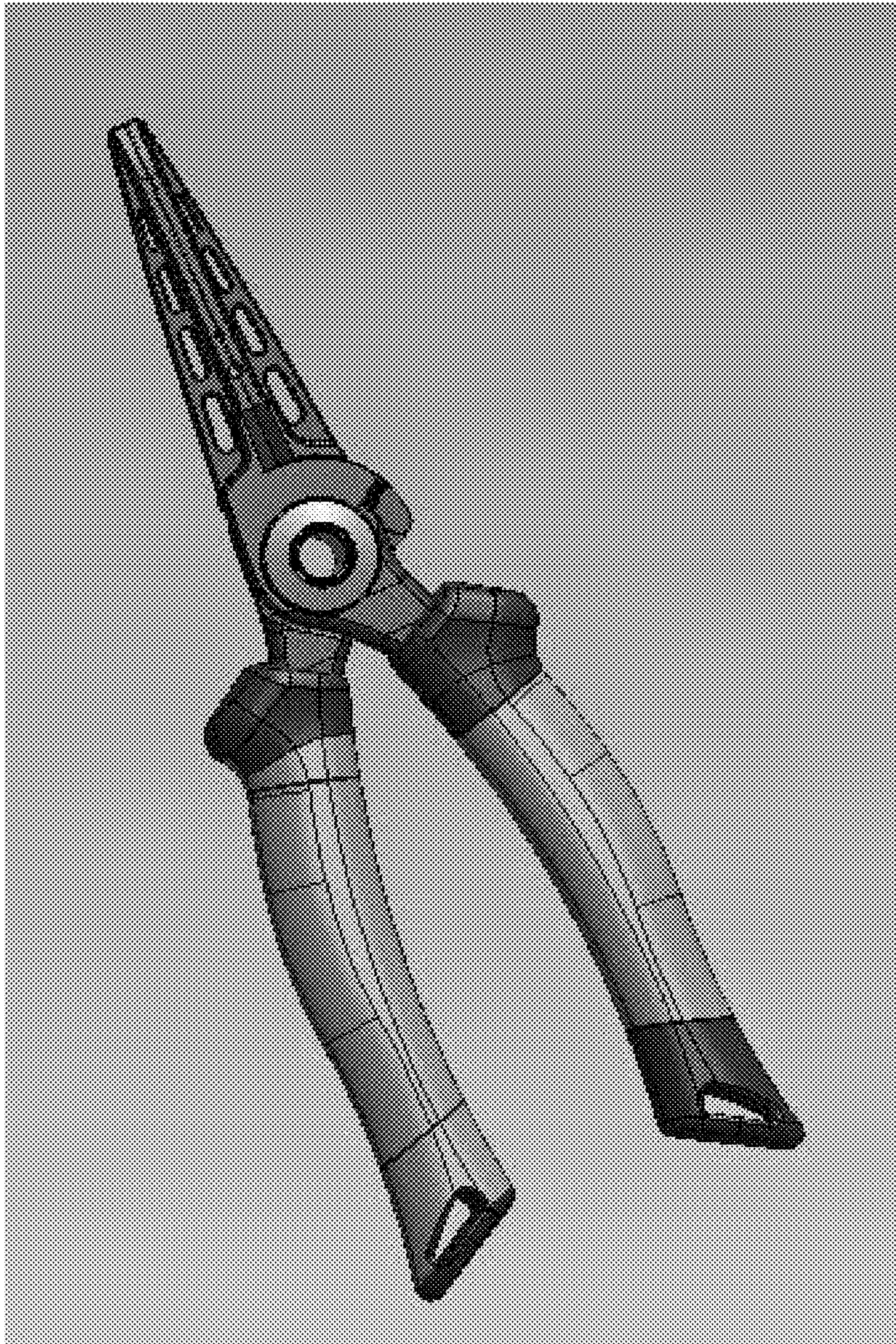


FIG. 9.

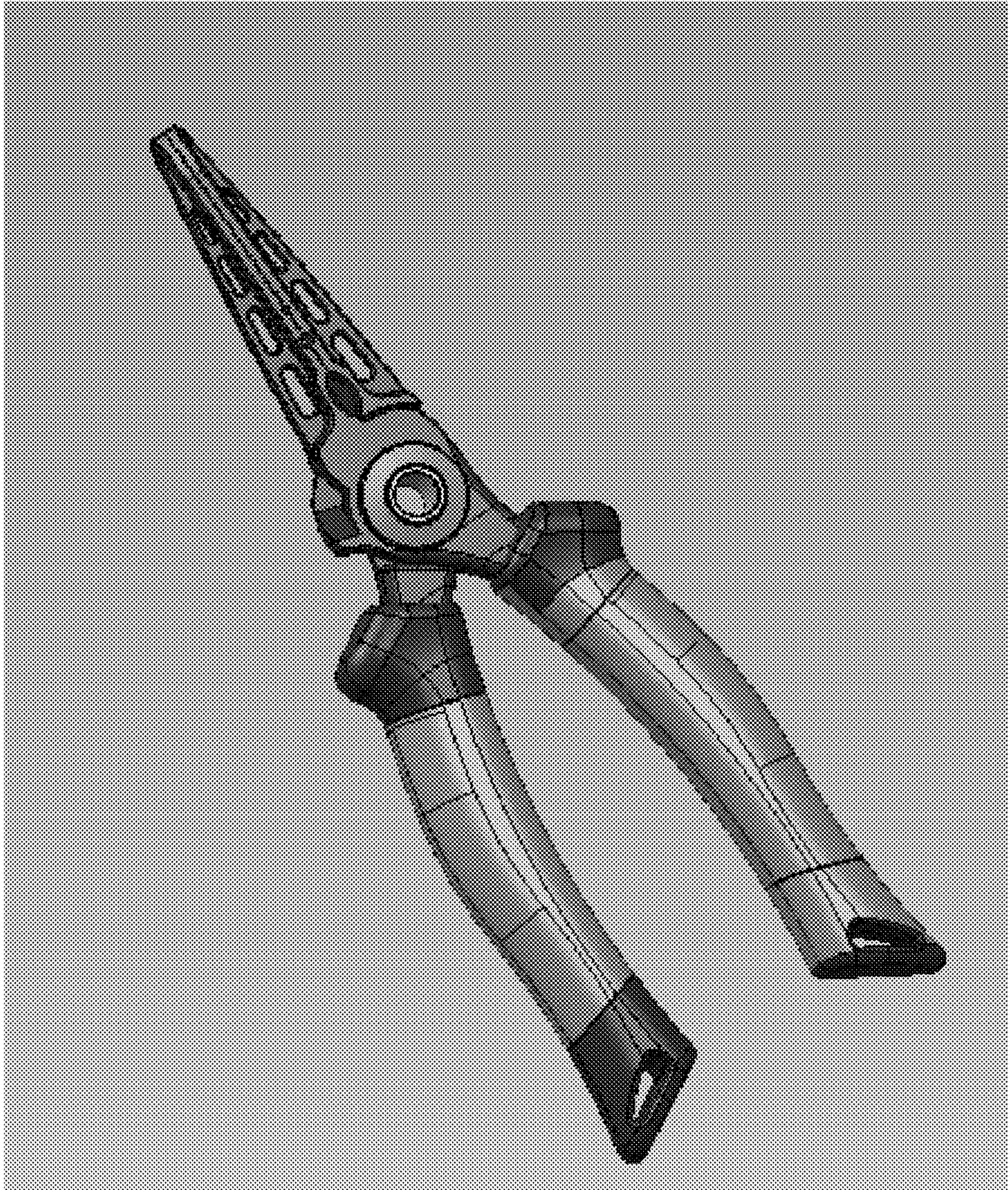


FIG. 10.

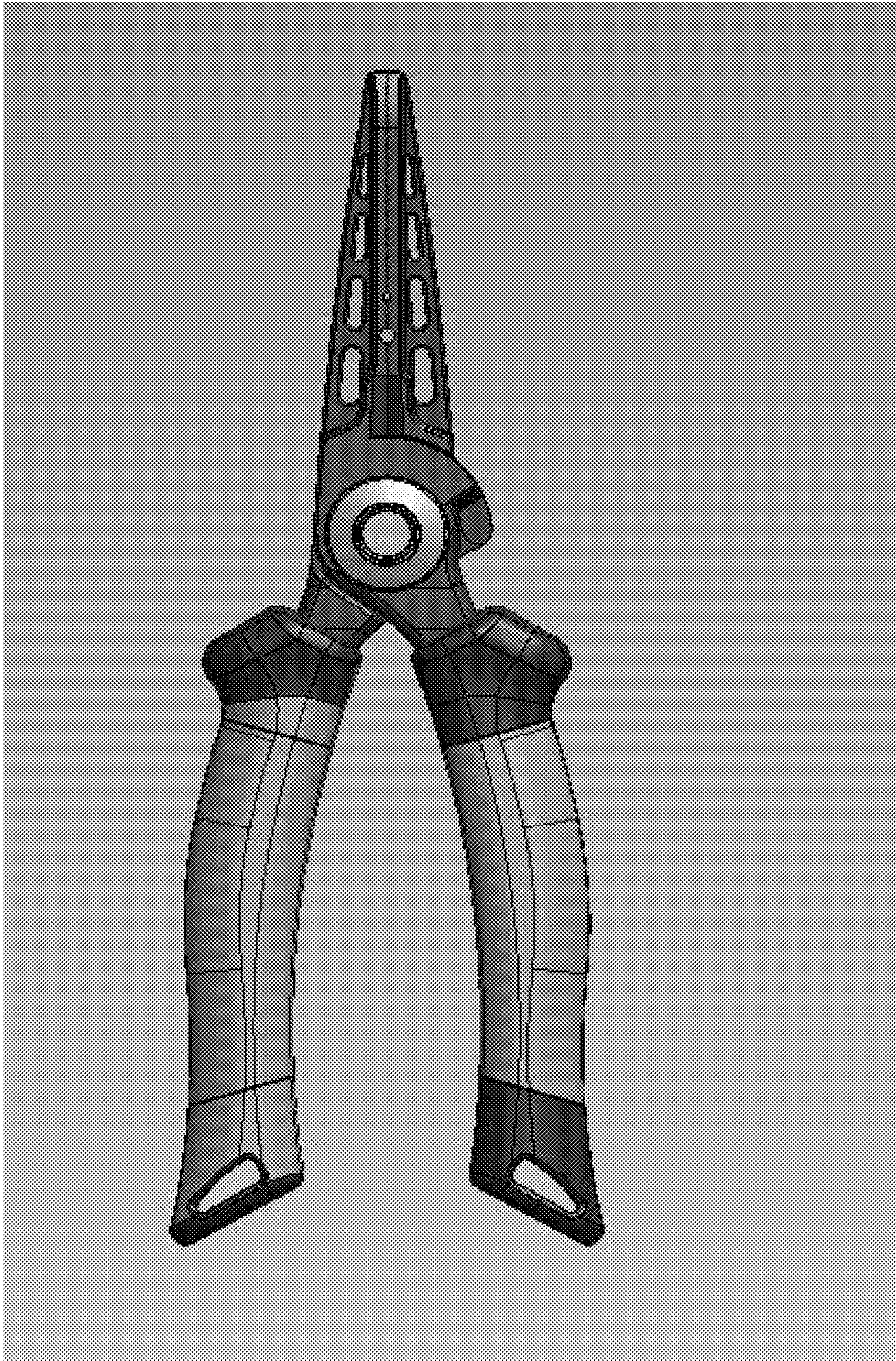


FIG. 11.

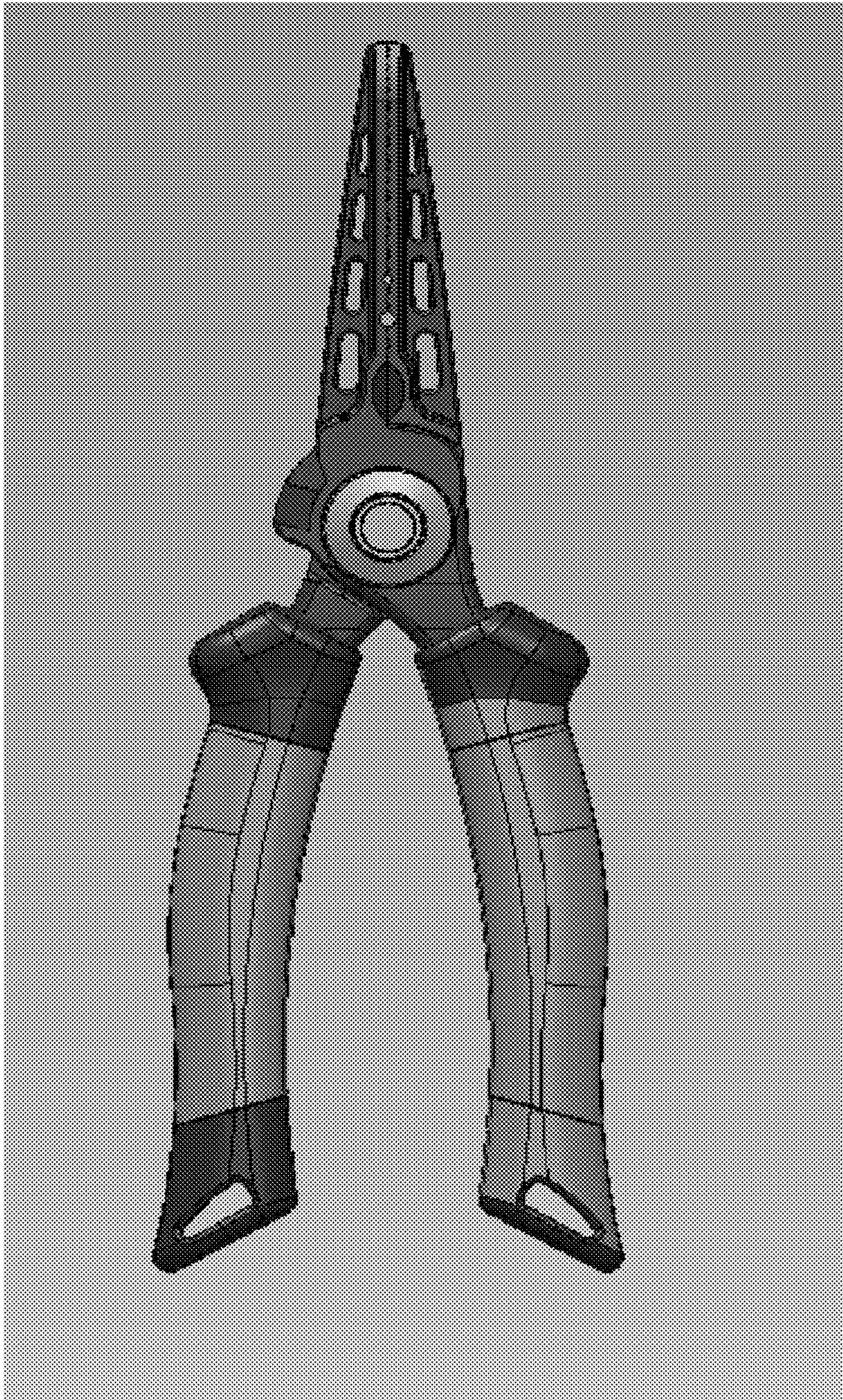


FIG. 12.

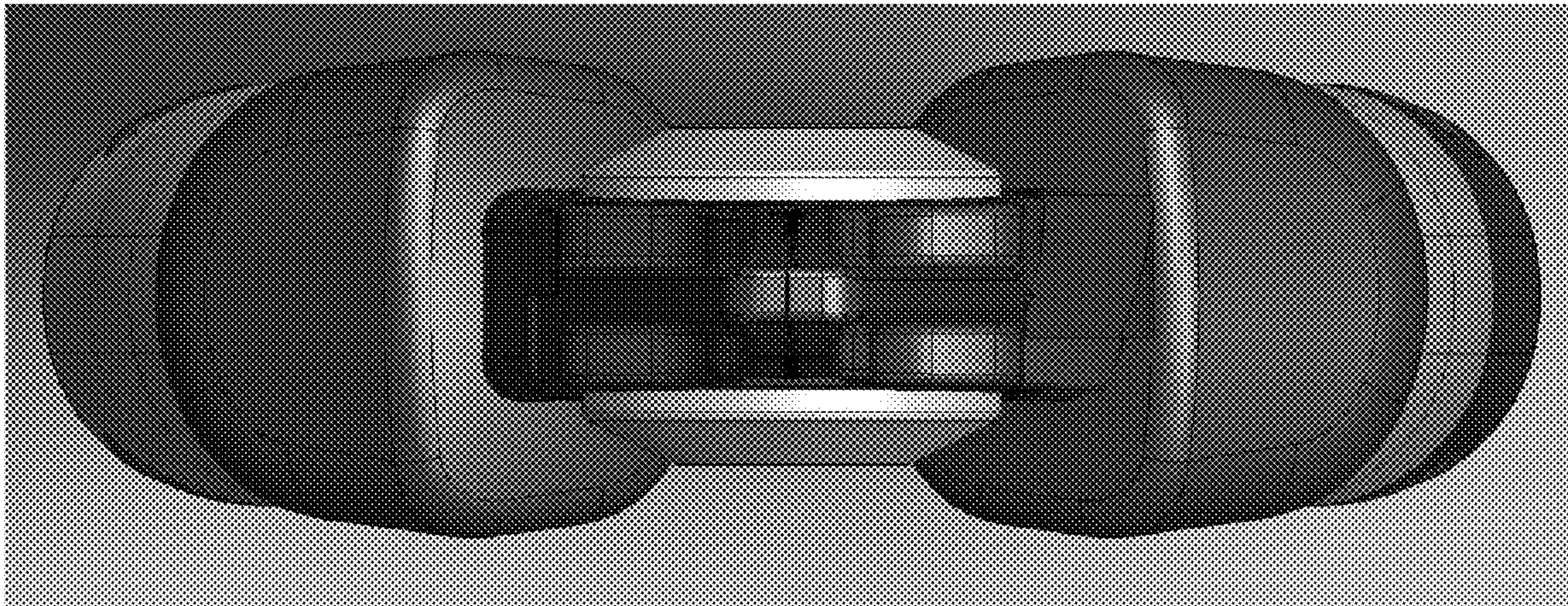


FIG. 13.

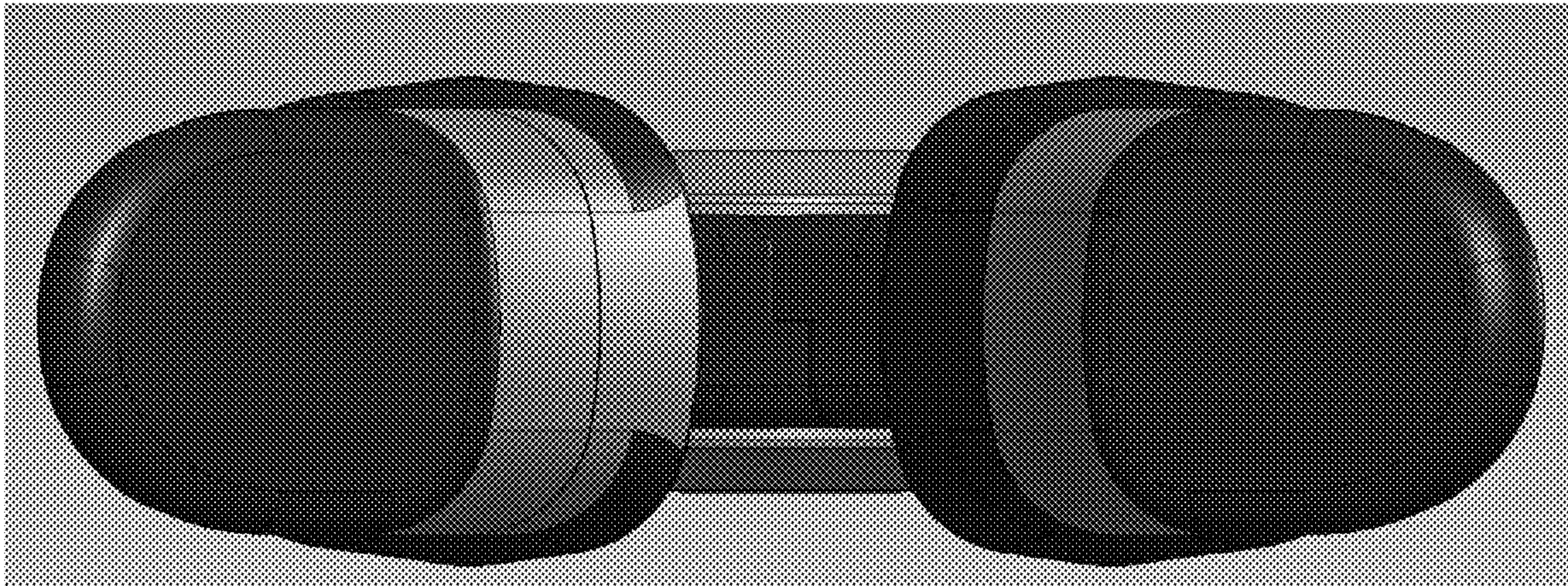


FIG. 14.

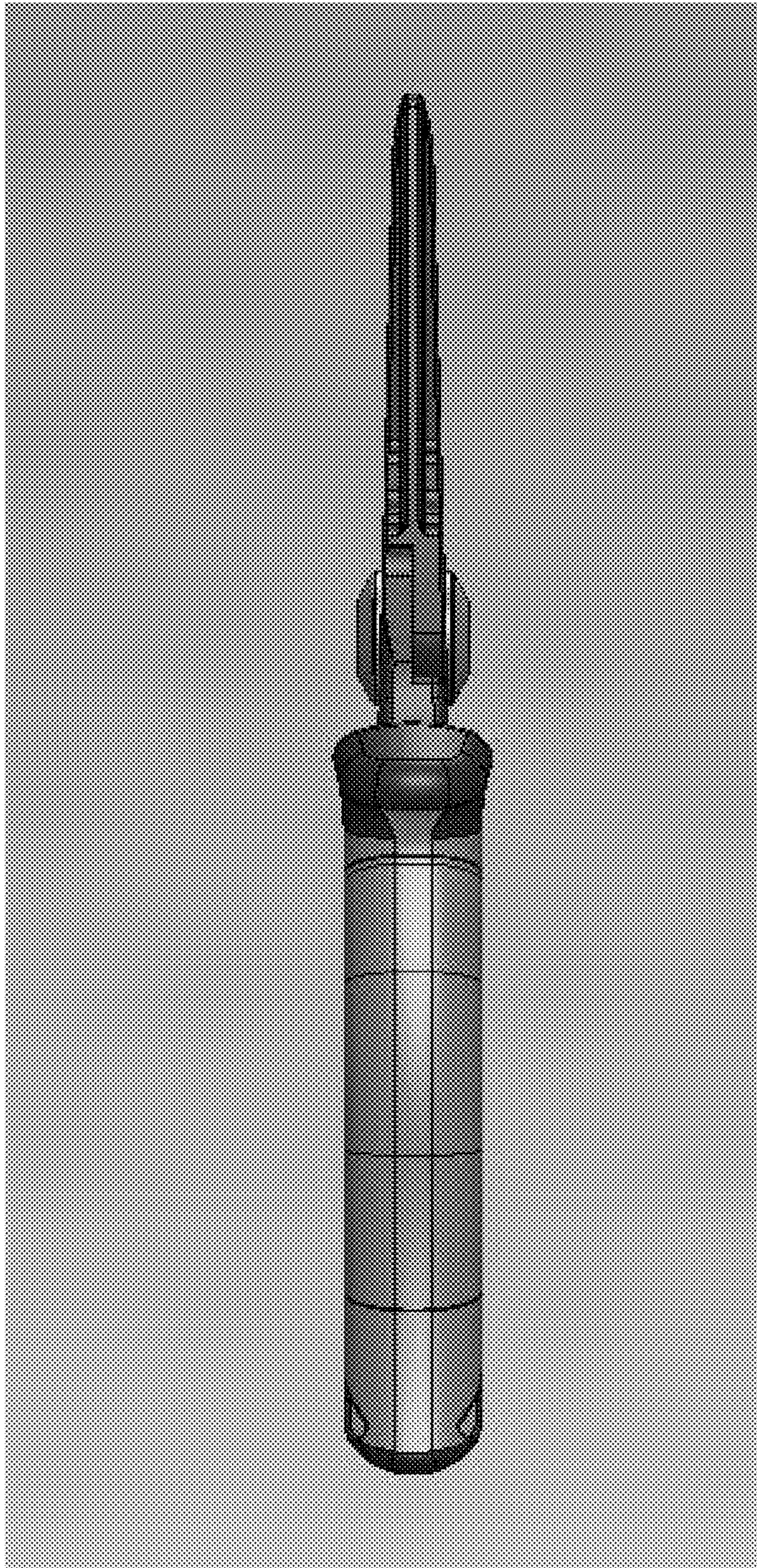


FIG. 15.

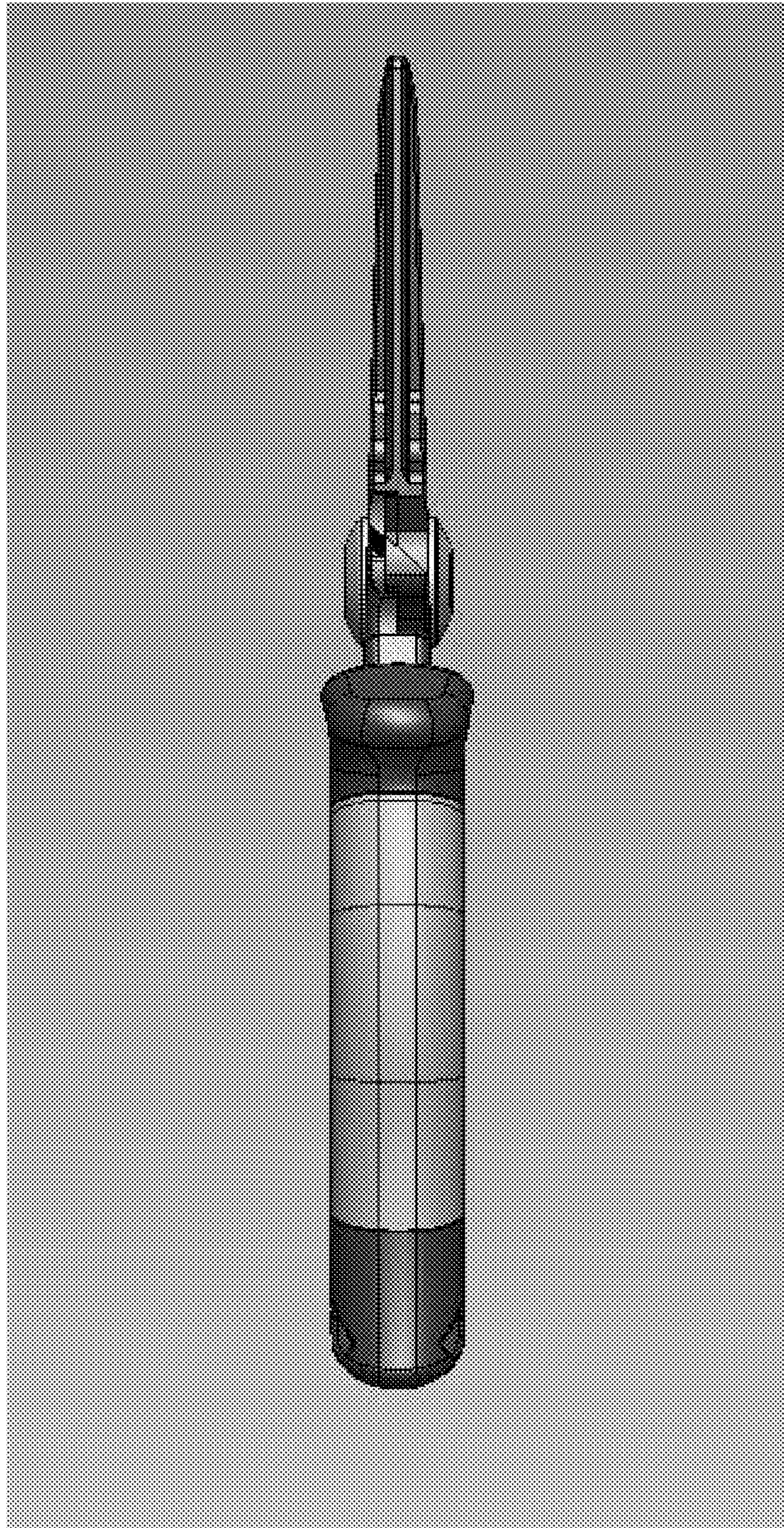


FIG. 16.

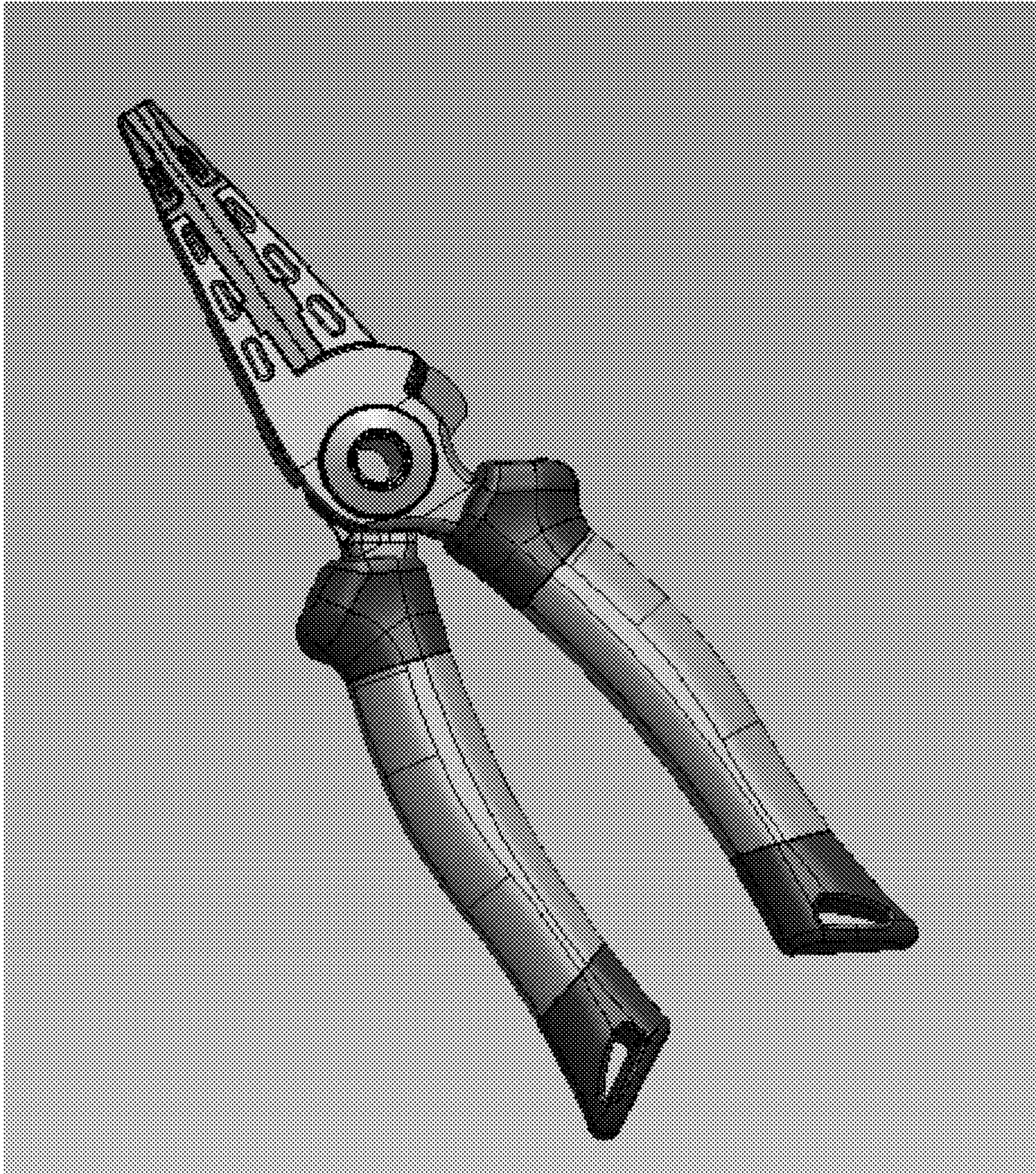


FIG. 17.

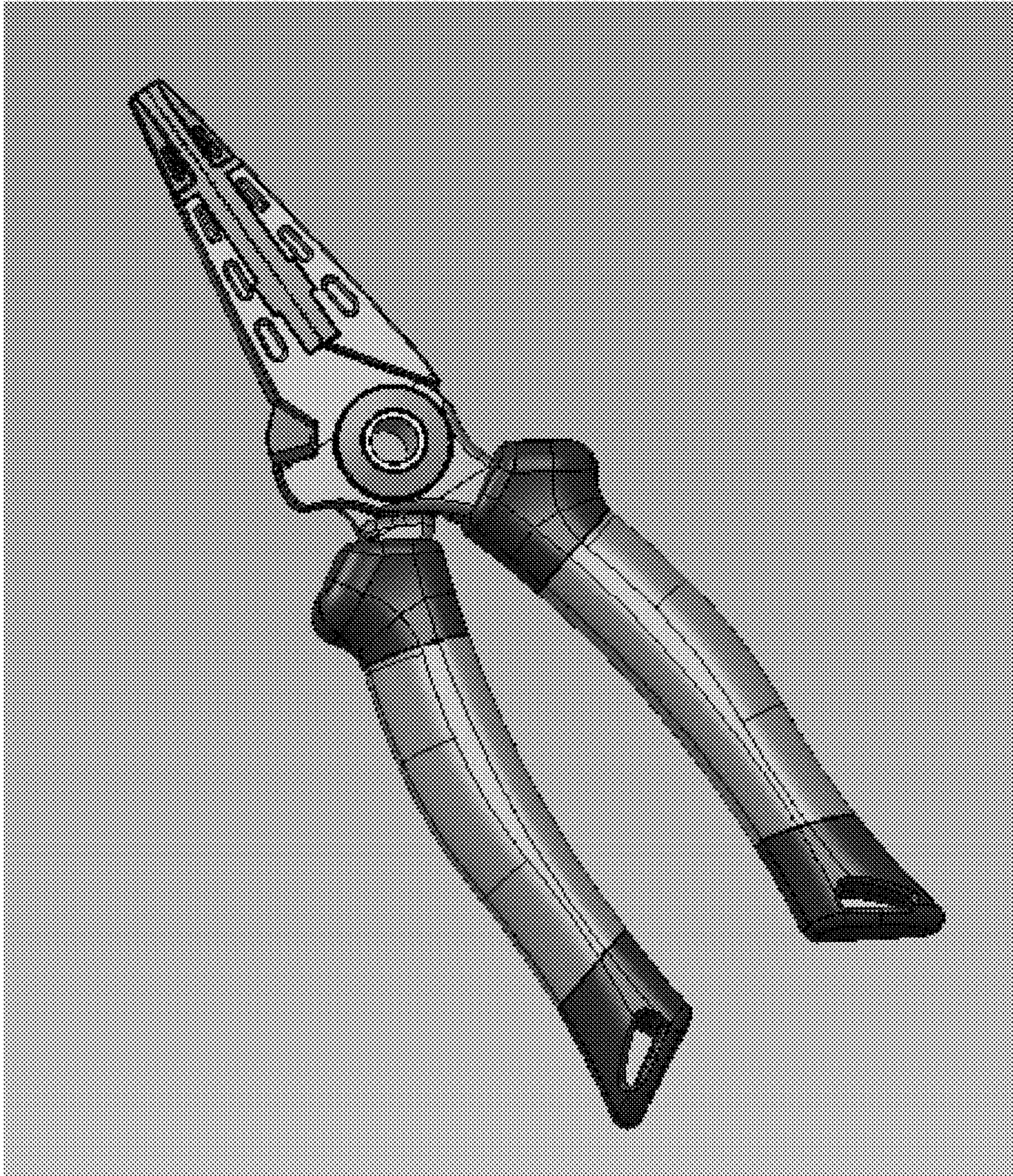


FIG. 18.

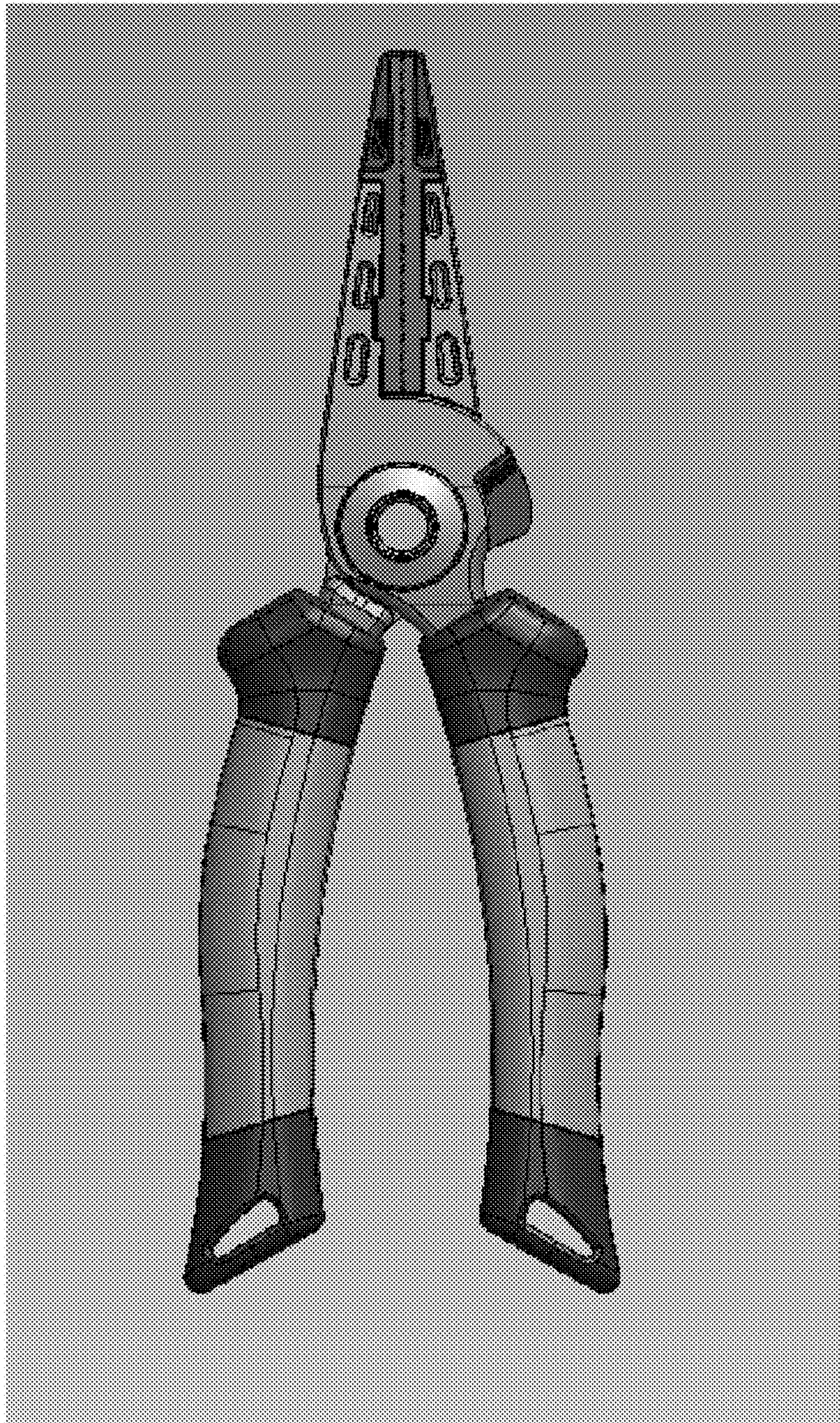


FIG. 19.

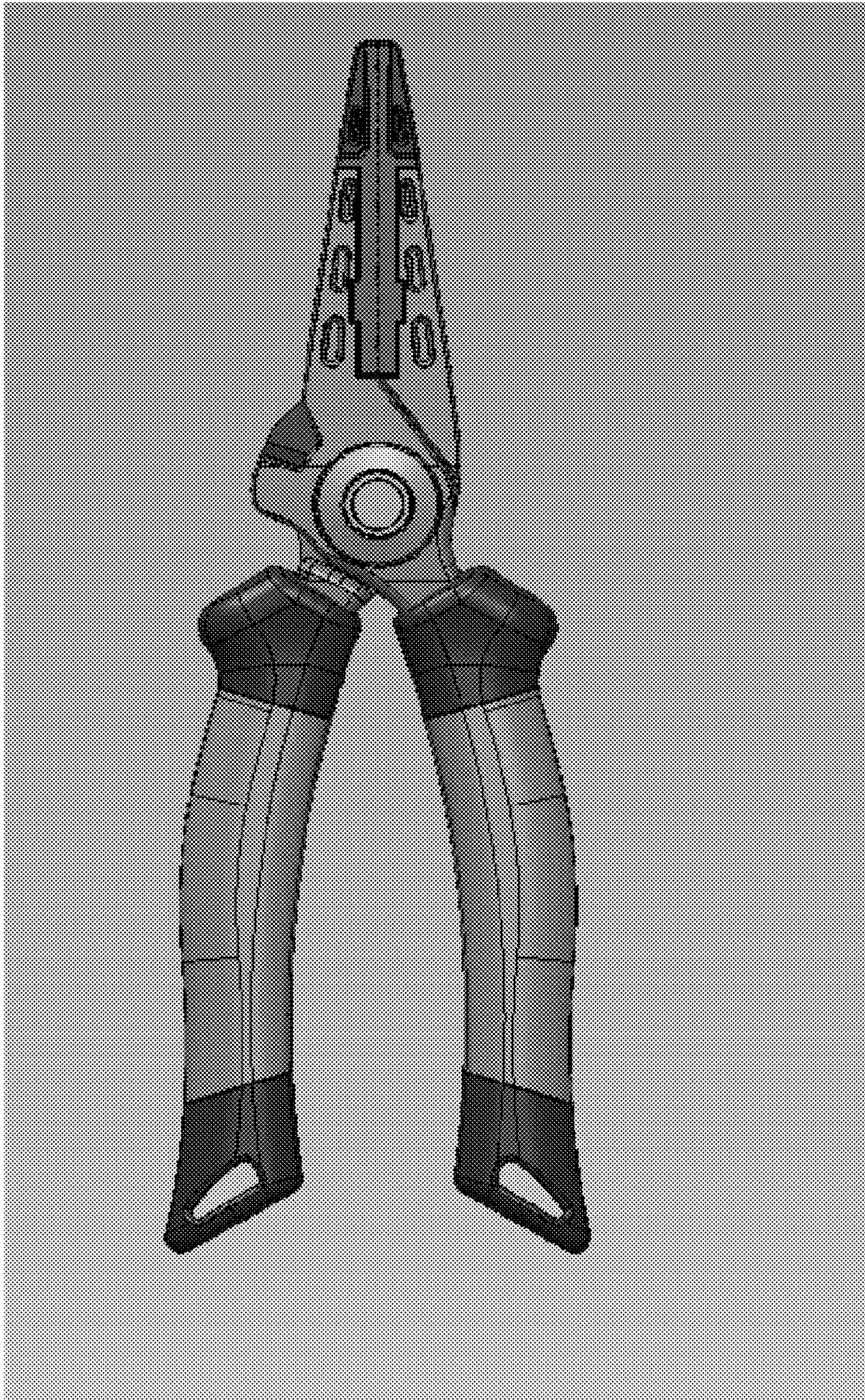


FIG. 20.

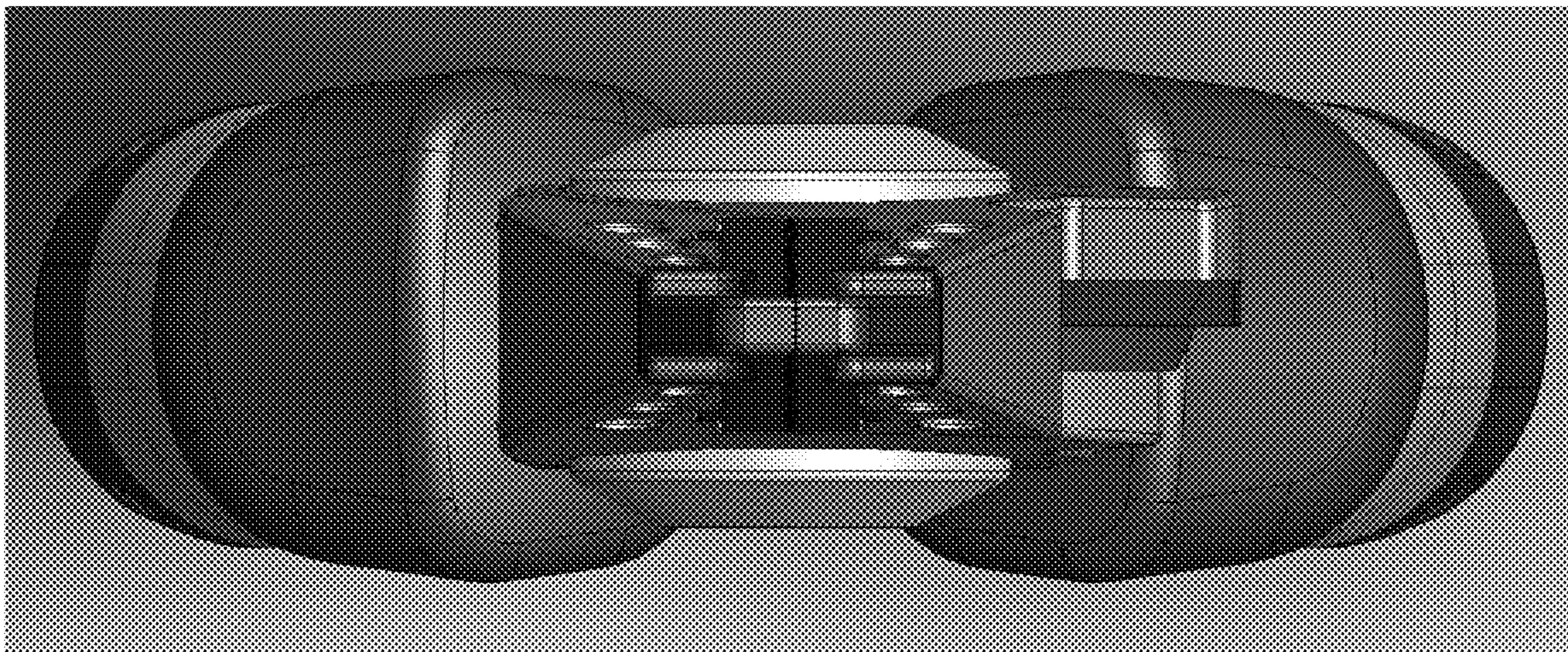


FIG. 21.

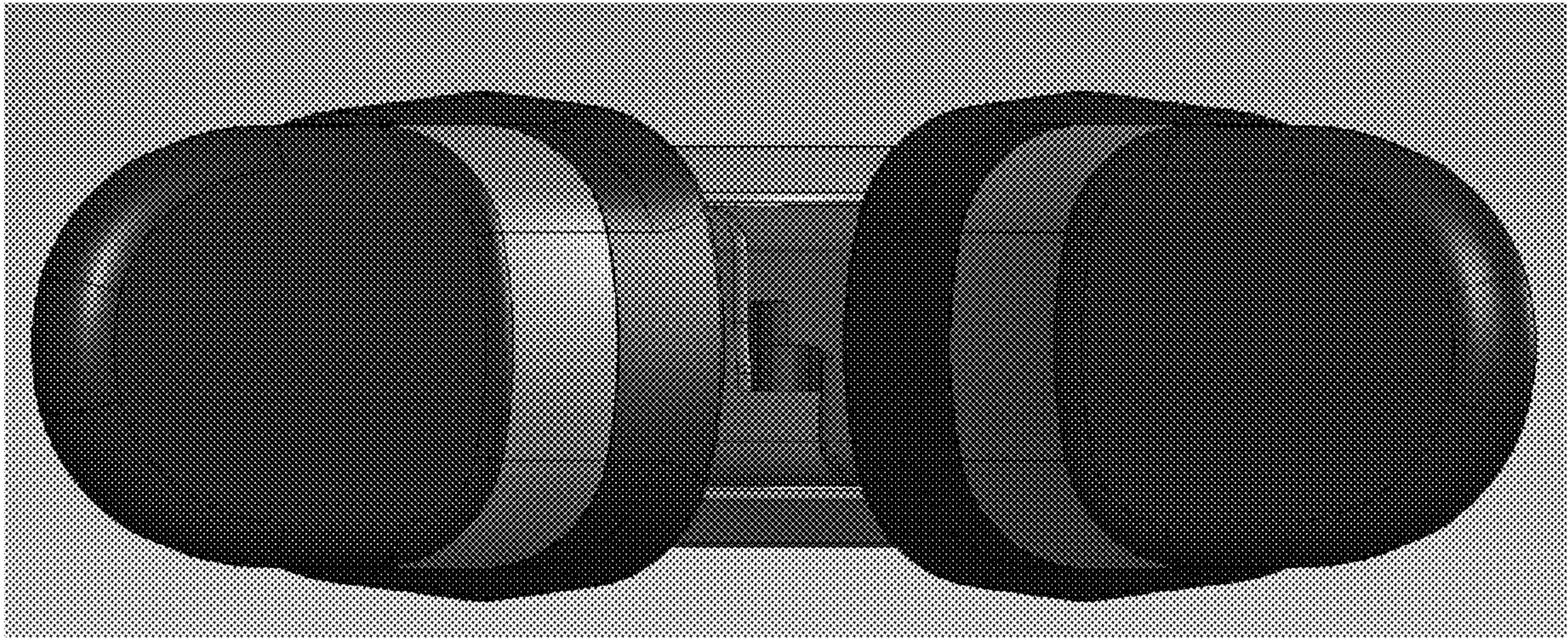


FIG. 22.

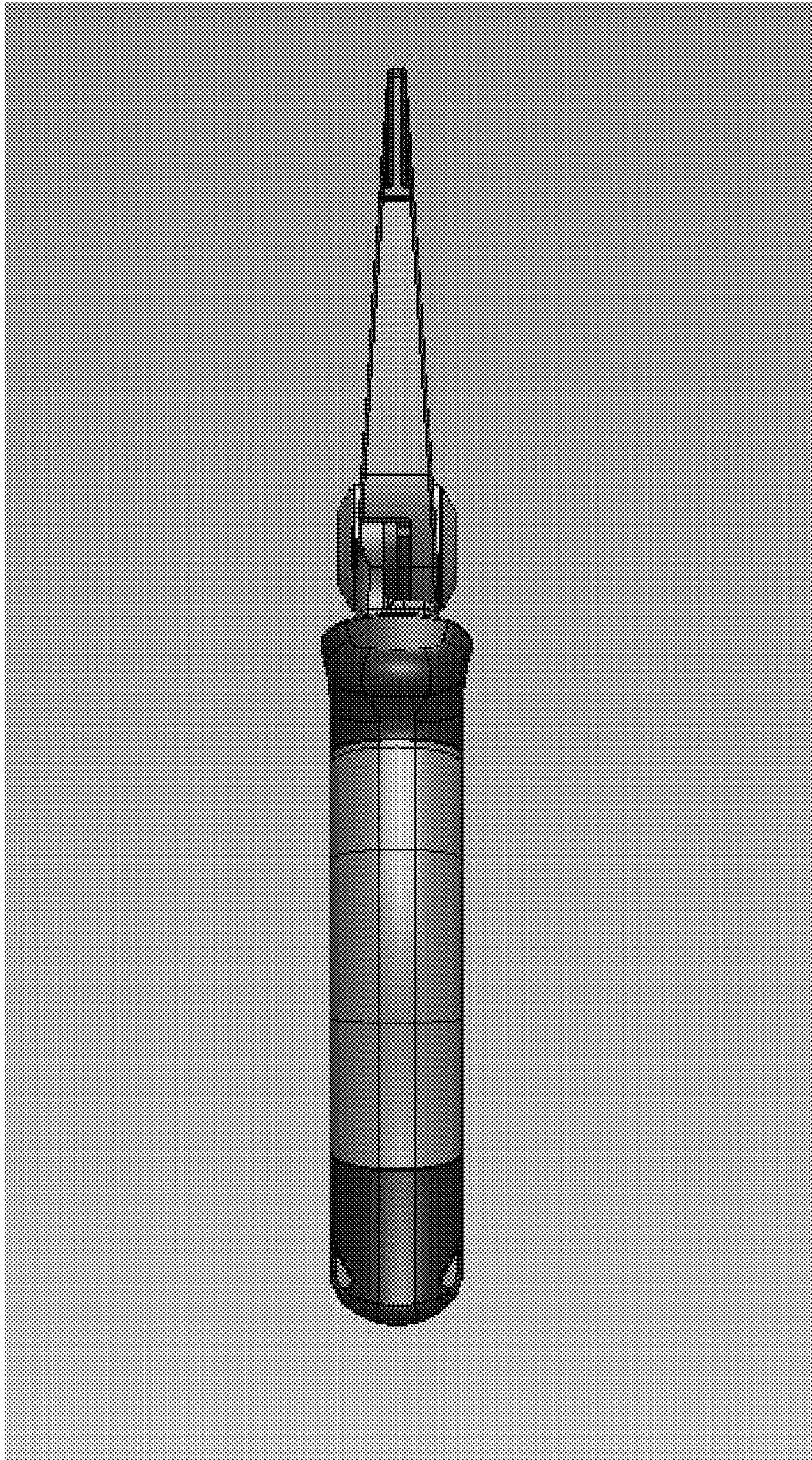


FIG. 23.

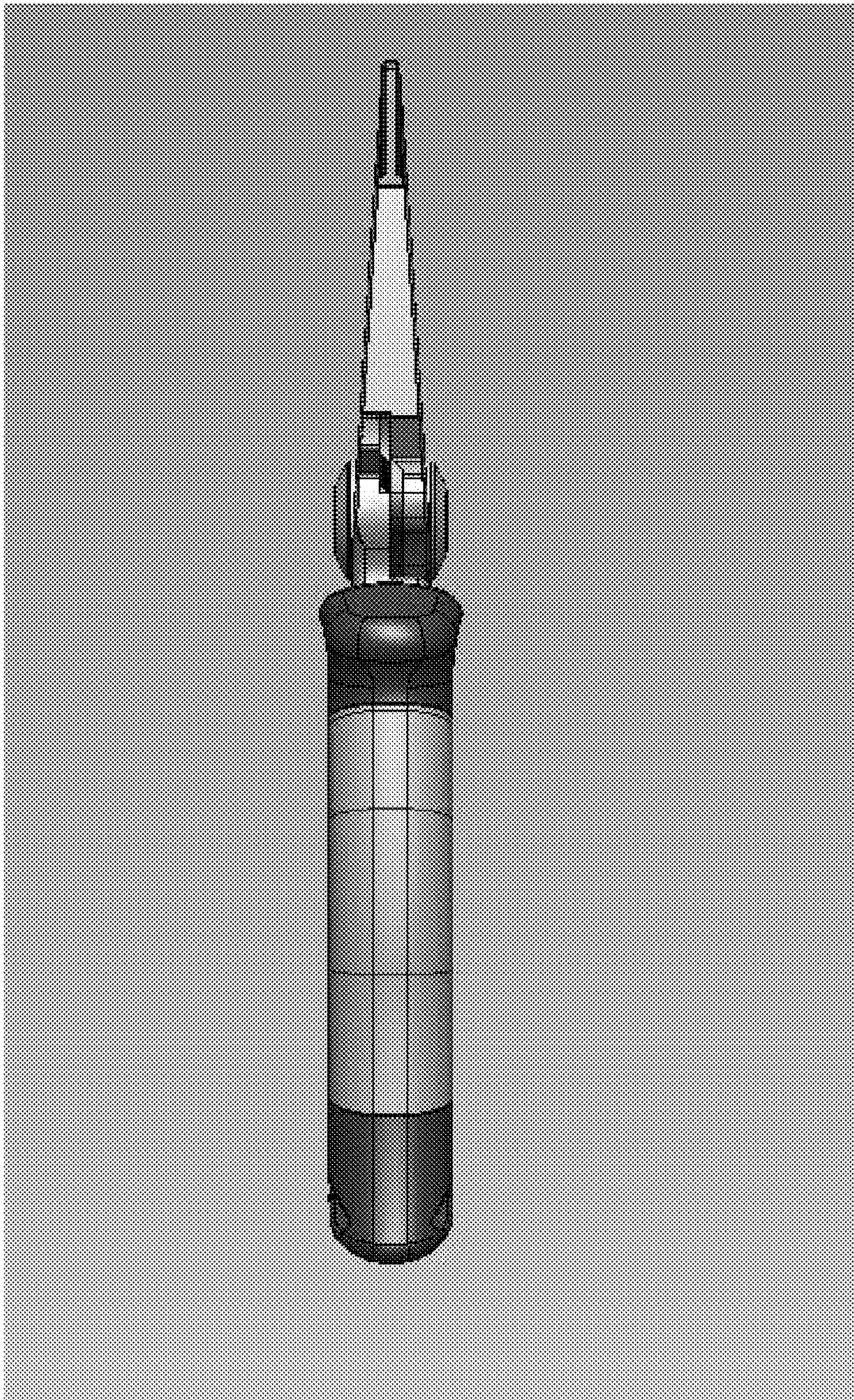


FIG. 24.

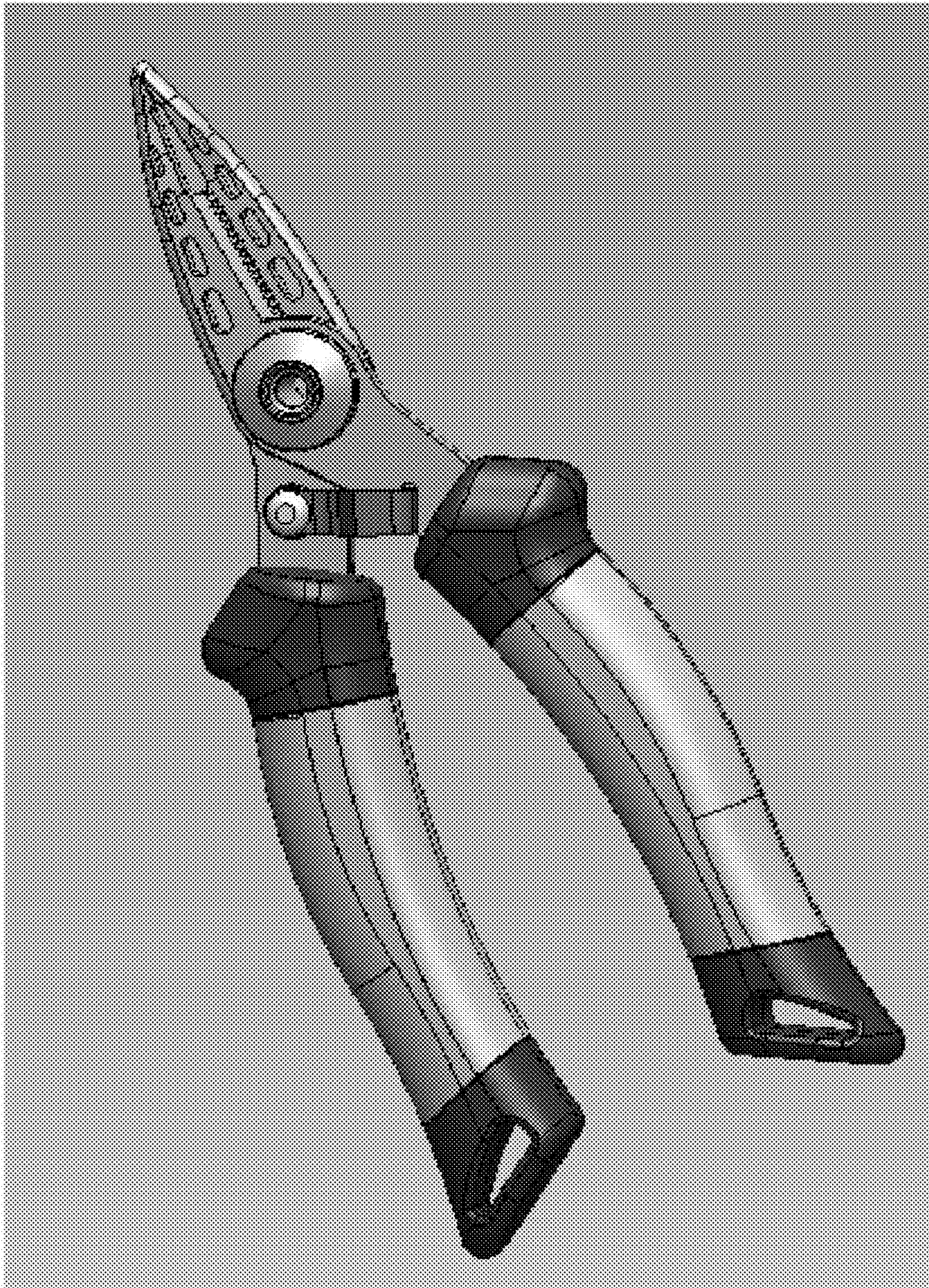


FIG. 25.

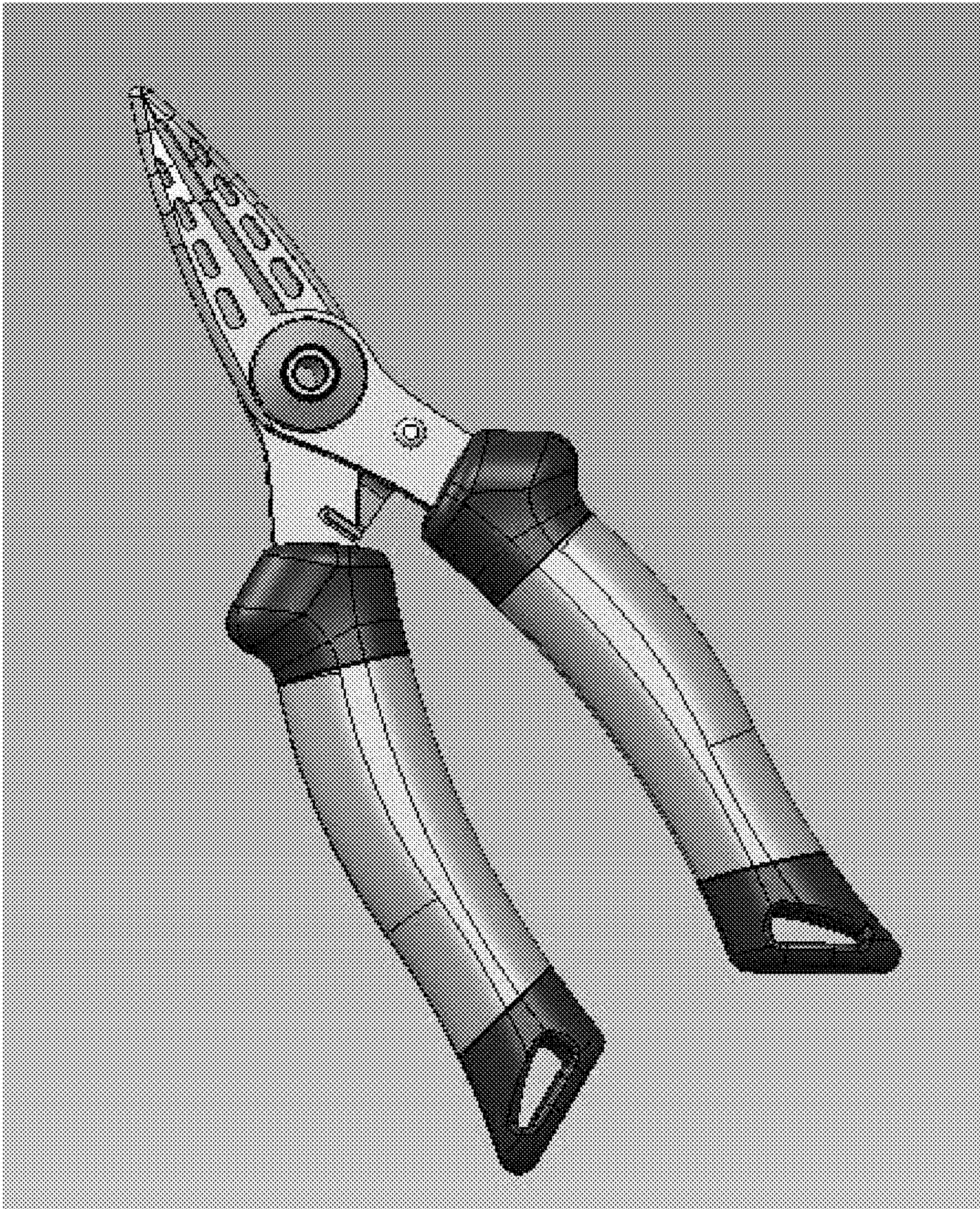


FIG. 26.

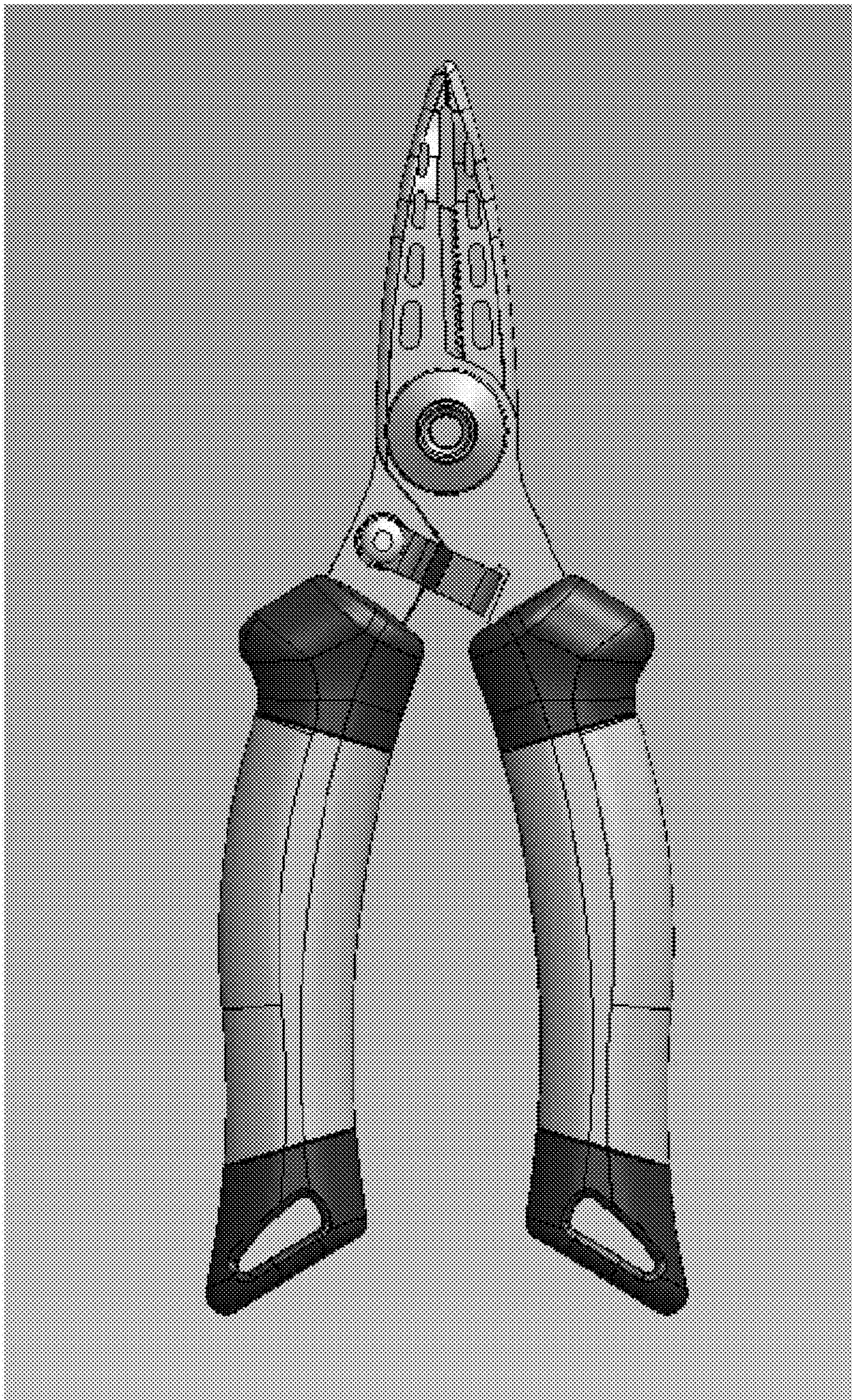


FIG. 27.

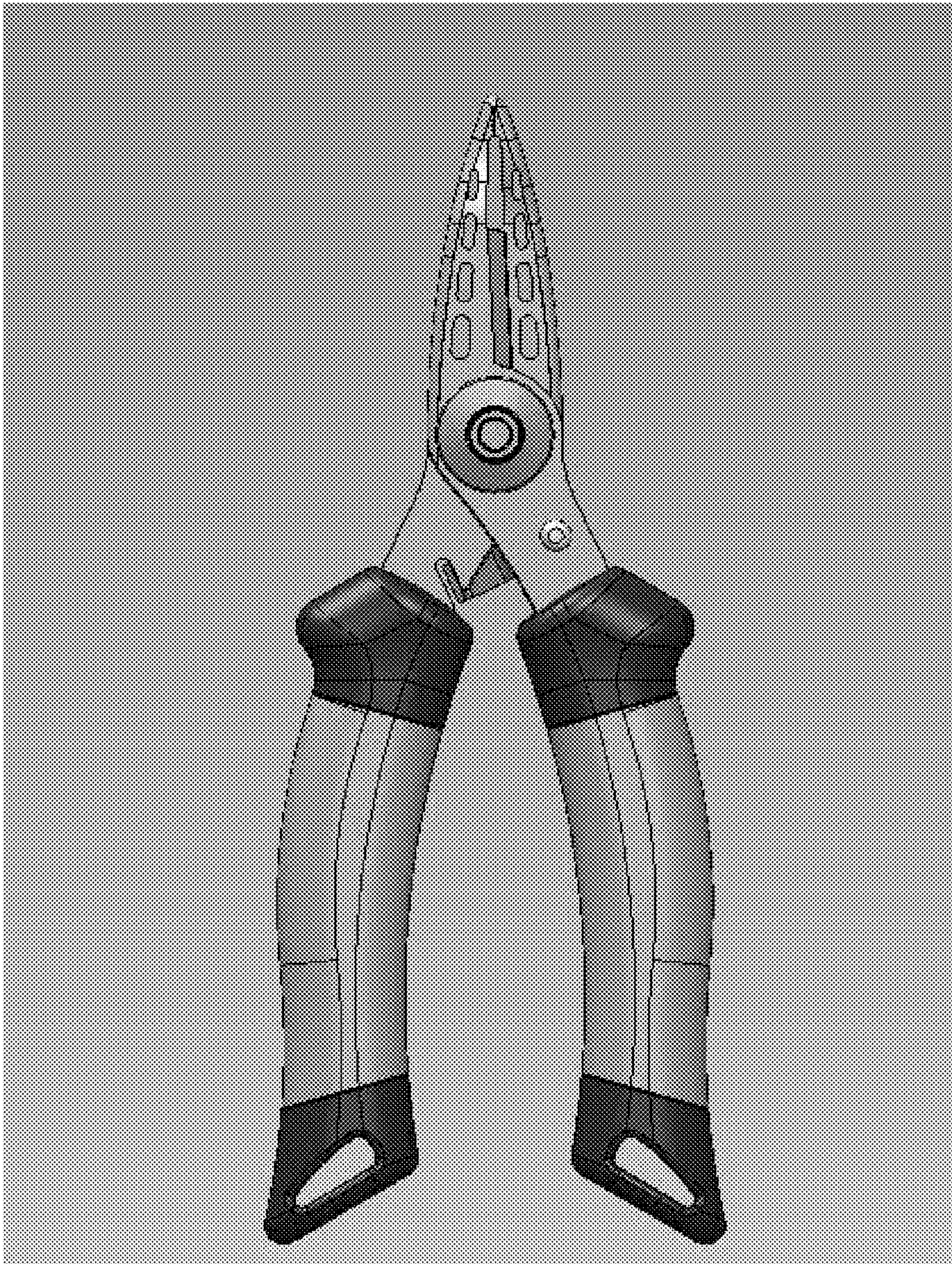


FIG. 28.

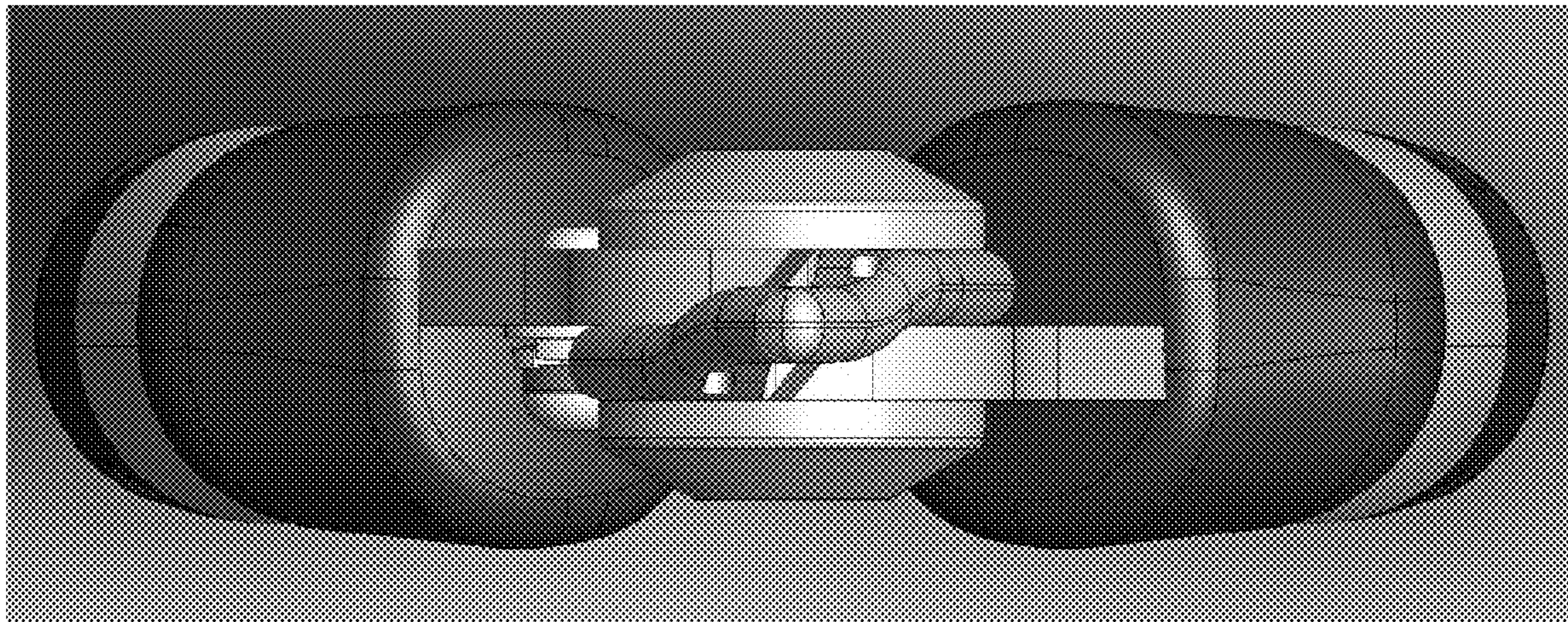


FIG. 29.

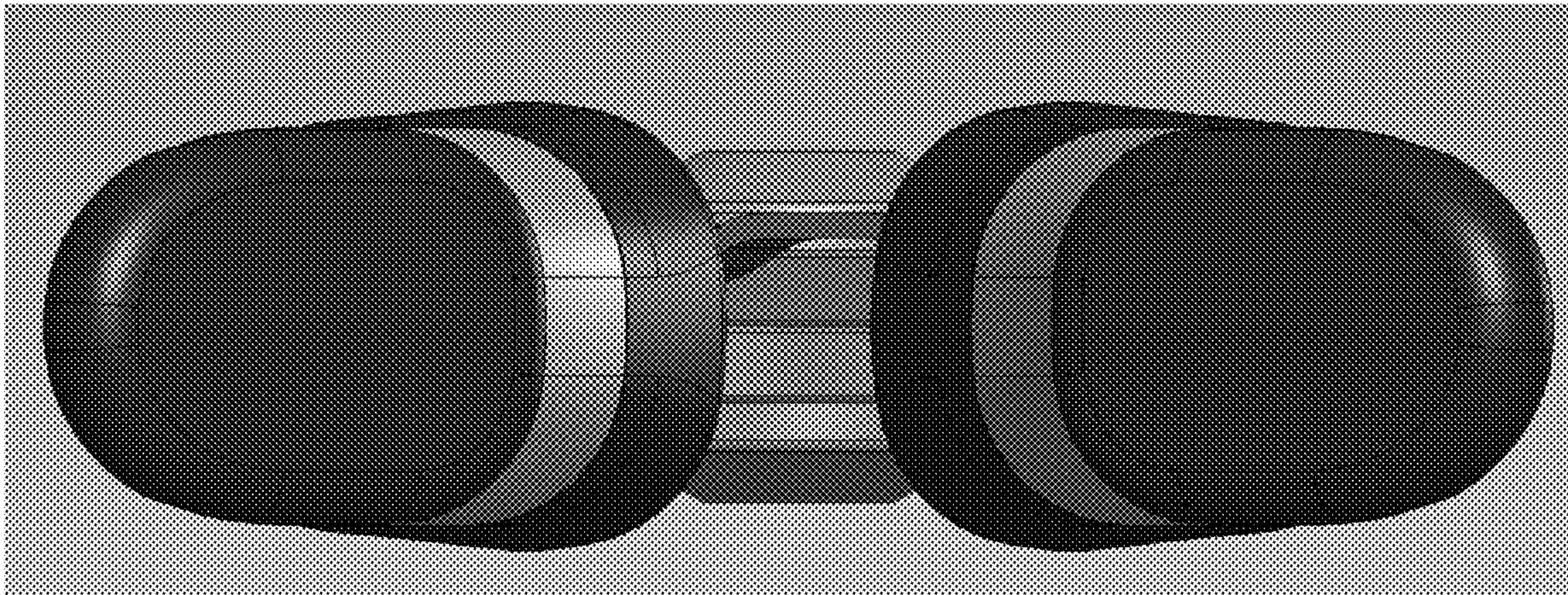


FIG. 30.

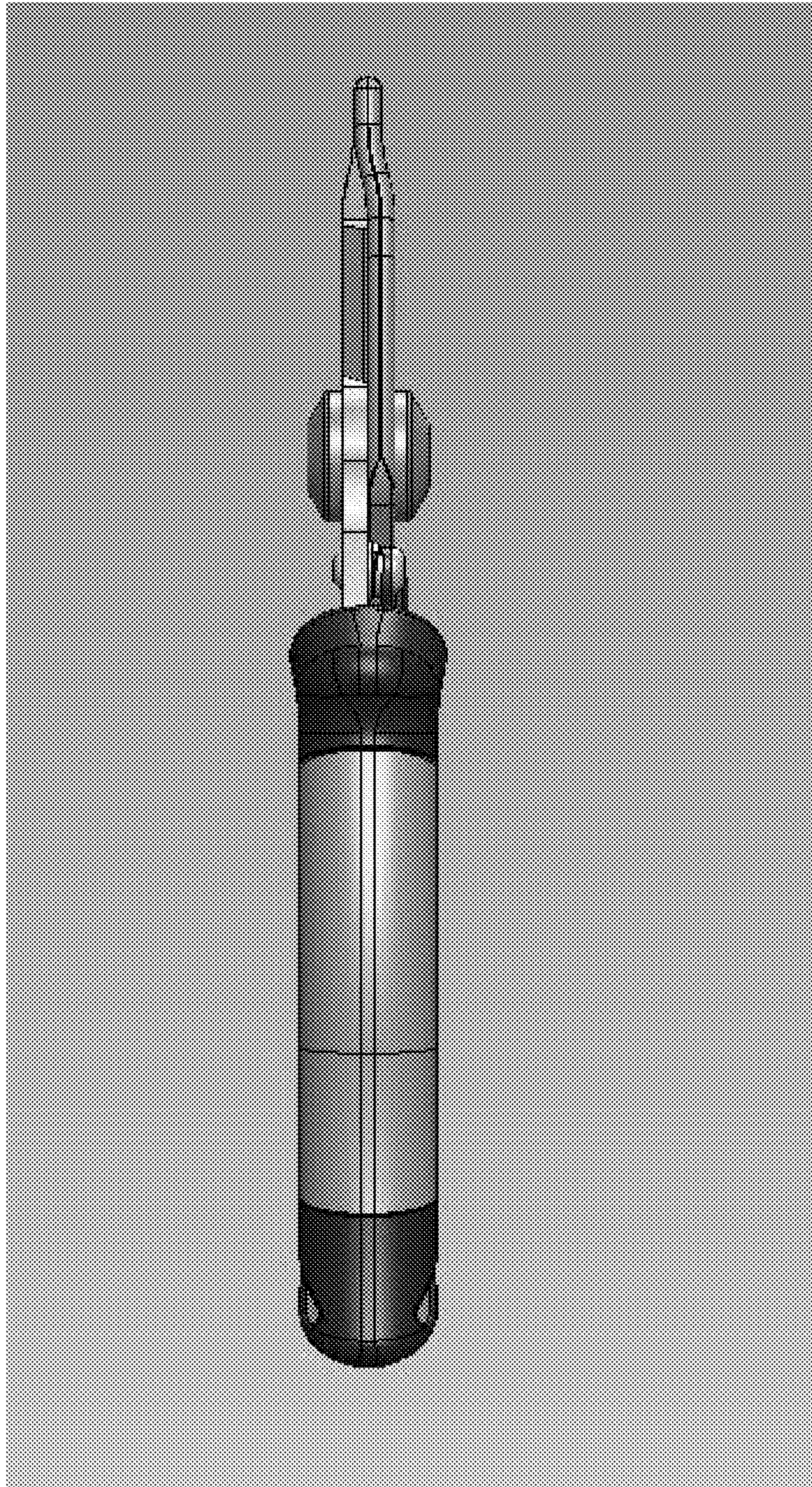


FIG. 31.

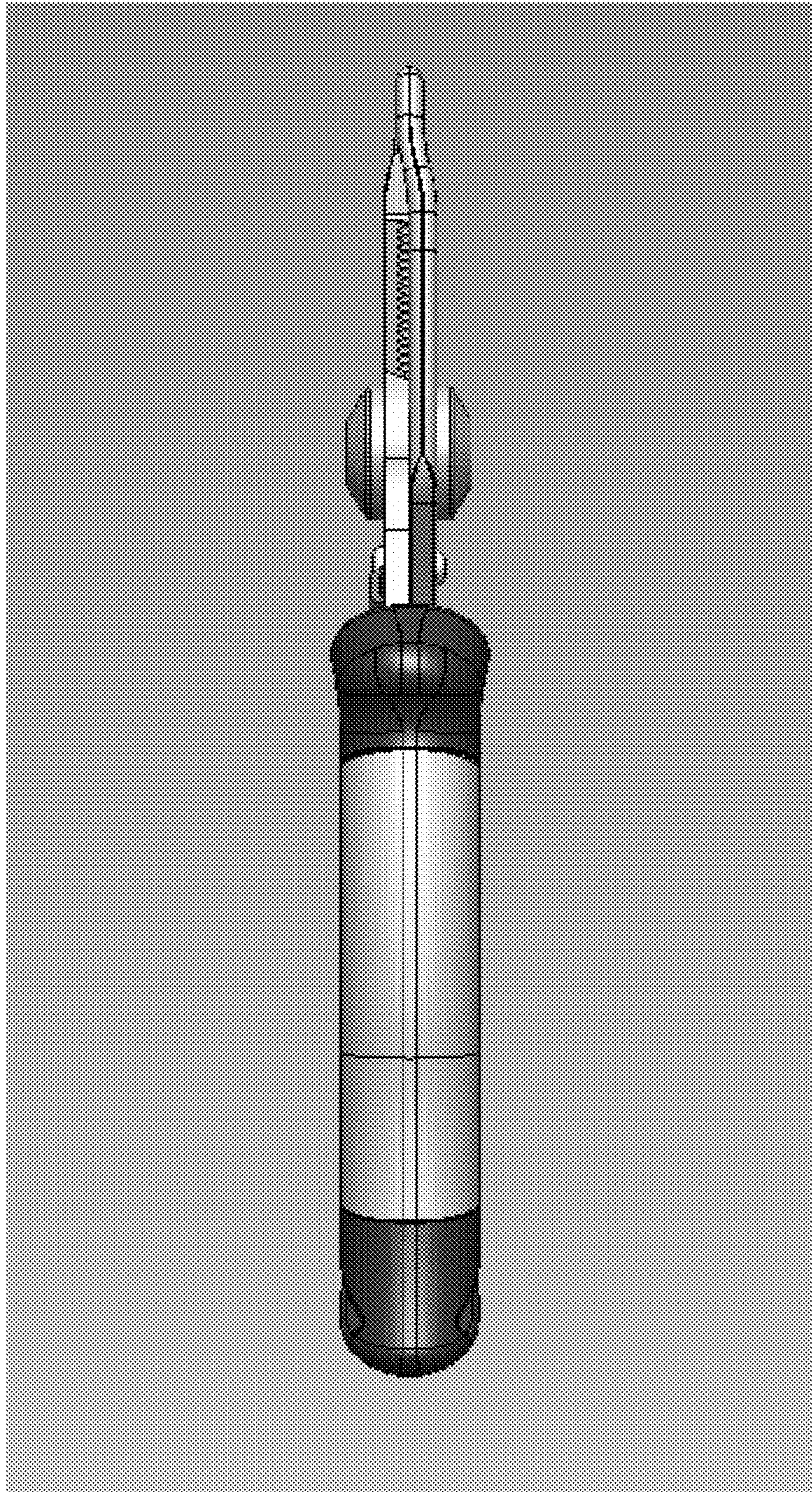


FIG. 32.