



US00D879570S

(12) **United States Design Patent**
Lin

(10) **Patent No.:** **US D879,570 S**
(45) **Date of Patent:** **** Mar. 31, 2020**

- (54) **AUTOMOBILE DENT REPAIR TOOL**
- (71) Applicant: **Shenzhen GeLiSiTong Technology Co., Ltd, Shenzhen (CN)**
- (72) Inventor: **Hongbao Lin, Guangdong (CN)**
- (**) Term: **15 Years**
- (21) Appl. No.: **29/709,266**
- (22) Filed: **Oct. 12, 2019**
- (51) **LOC (12) Cl.** **08-05**
- (52) **U.S. Cl.**
USPC **D8/51**
- (58) **Field of Classification Search**
USPC D8/14, 51, 75
CPC B21D 1/065; B21D 1/06; B21D 1/10
See application file for complete search history.

- 4,502,317 A * 3/1985 Hultquist B21D 1/06
72/479
- 5,727,418 A * 3/1998 Strozier B21D 1/06
72/457
- 7,430,891 B1 * 10/2008 Wang B21D 1/06
72/457
- 9,441,622 B2 * 9/2016 Liao F04B 37/14
- 9,669,442 B1 * 6/2017 Alvarez B21D 1/06
- 9,908,161 B1 * 3/2018 Gamble B21D 1/06
- D860,742 S 9/2019 Yang
- 2003/0005745 A1 * 1/2003 Domino B21D 1/06
72/705
- 2017/0216899 A1 * 8/2017 Zimmerman B21D 1/06

* cited by examiner

Primary Examiner — Deanna L Pratt
(74) *Attorney, Agent, or Firm* — Jie Yang; ZanIP

(57) **CLAIM**

The ornamental design for an automobile dent repair tool, as shown and described.

DESCRIPTION

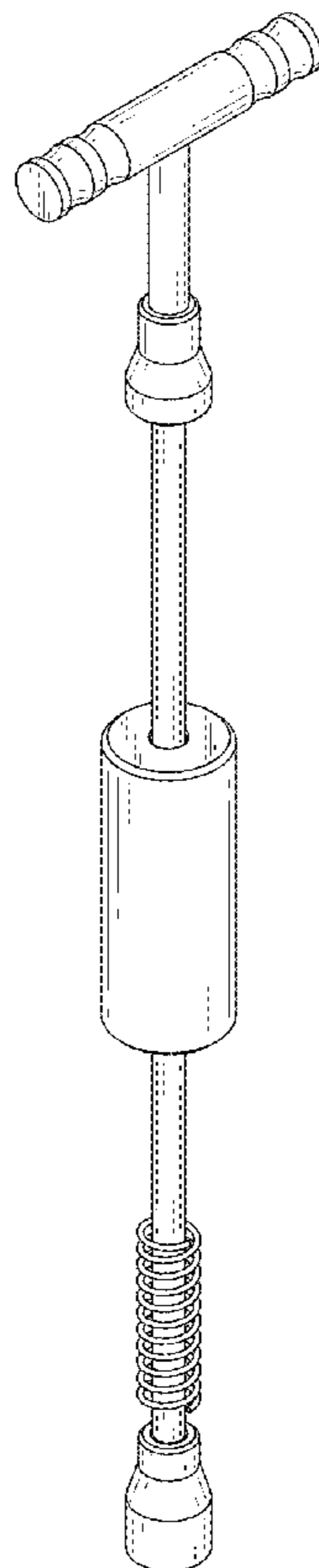
FIG. 1 is a front and top perspective view of an automobile dent repair tool, showing my new design; FIG. 2 is a rear and bottom perspective view thereof; FIG. 3 is a front elevational view thereof; FIG. 4 is a rear elevational view thereof; FIG. 5 is a left side elevational view thereof; FIG. 6 is a right side elevational view thereof; FIG. 7 is a top plan view thereof; and, FIG. 8 is a bottom plan view thereof.

1 Claim, 8 Drawing Sheets

(56) **References Cited**

U.S. PATENT DOCUMENTS

- 2,934,984 A * 5/1960 Woodman B21D 1/065
72/457
- 3,030,837 A * 4/1962 Chartier B21D 1/065
72/457
- 3,483,727 A * 12/1969 Giannetto B21D 1/06
72/429
- 4,235,090 A * 11/1980 Wightman B21D 1/06
72/479



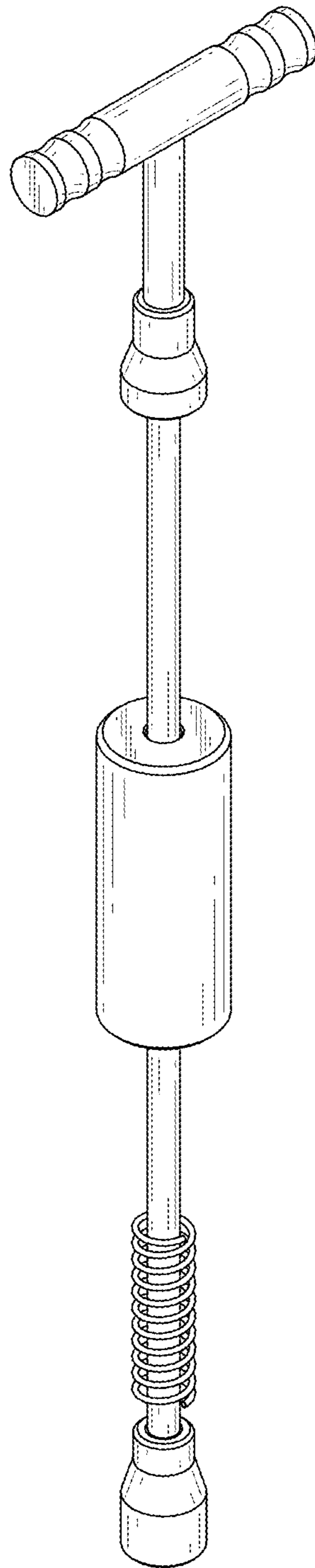


FIG. 1

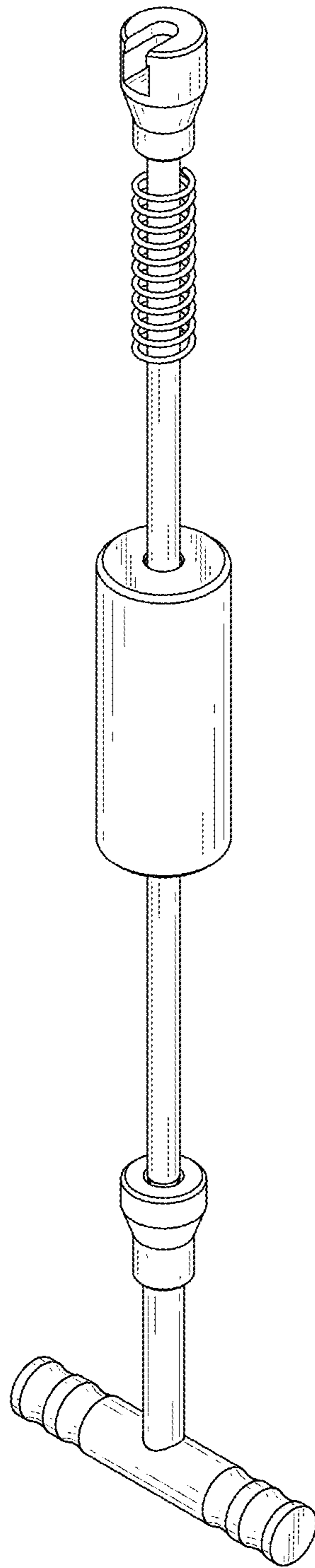


FIG. 2

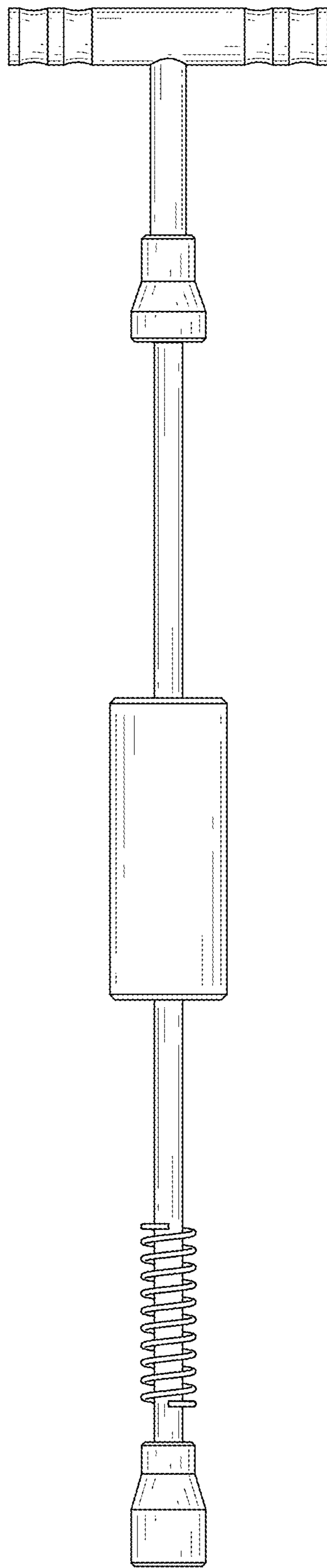


FIG. 3

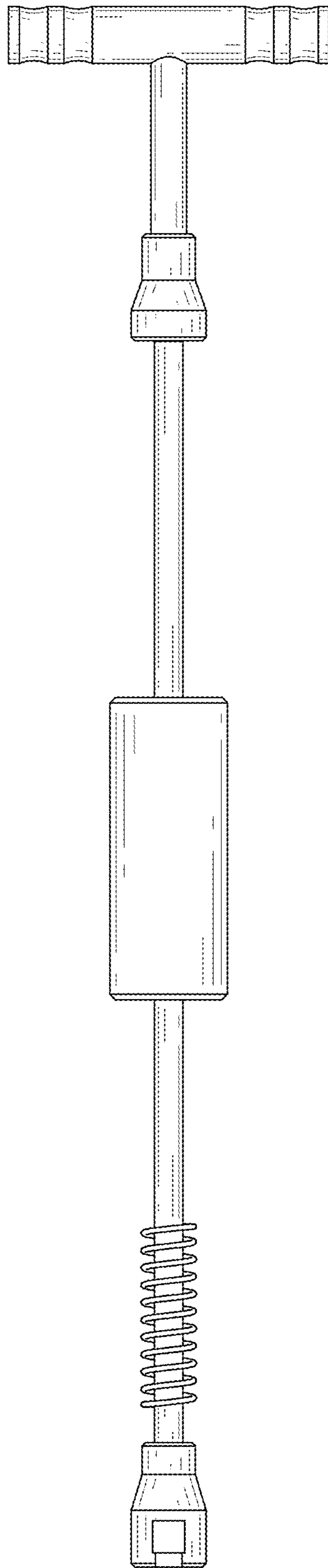


FIG. 4

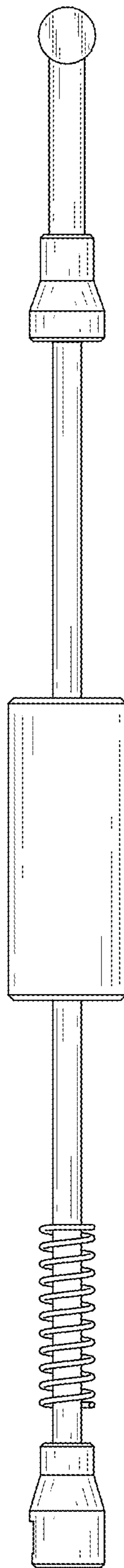


FIG. 5

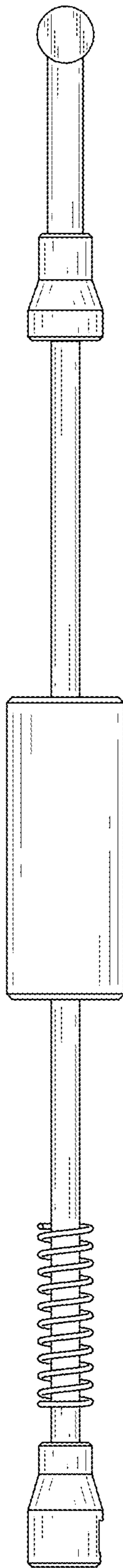


FIG. 6

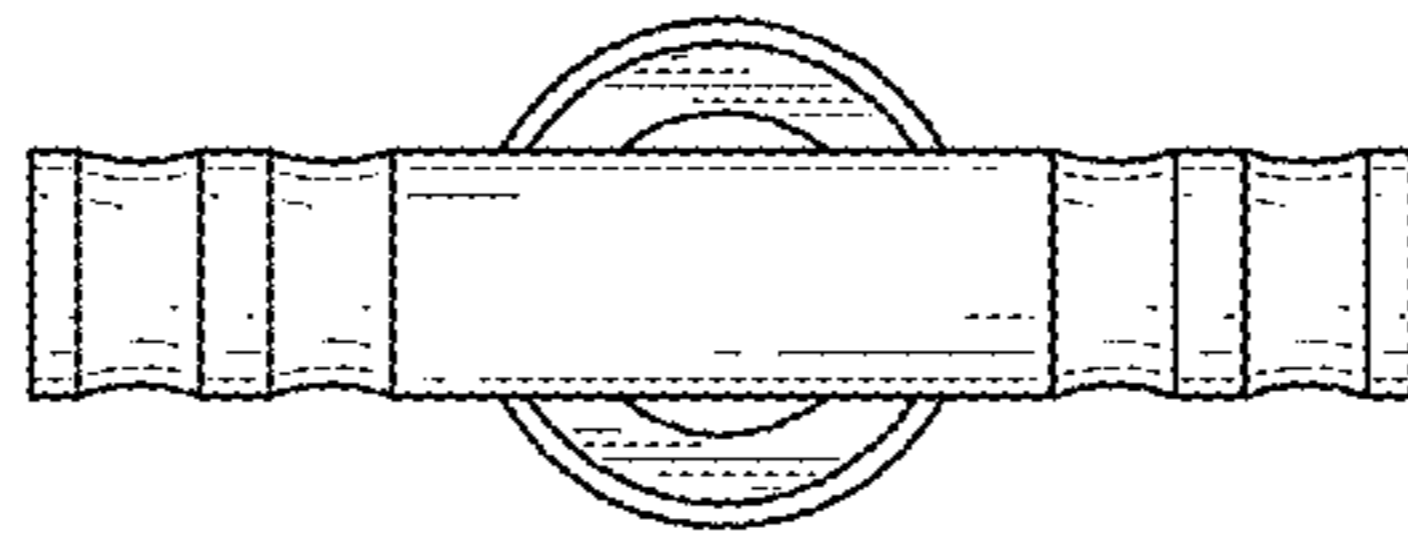


FIG. 7

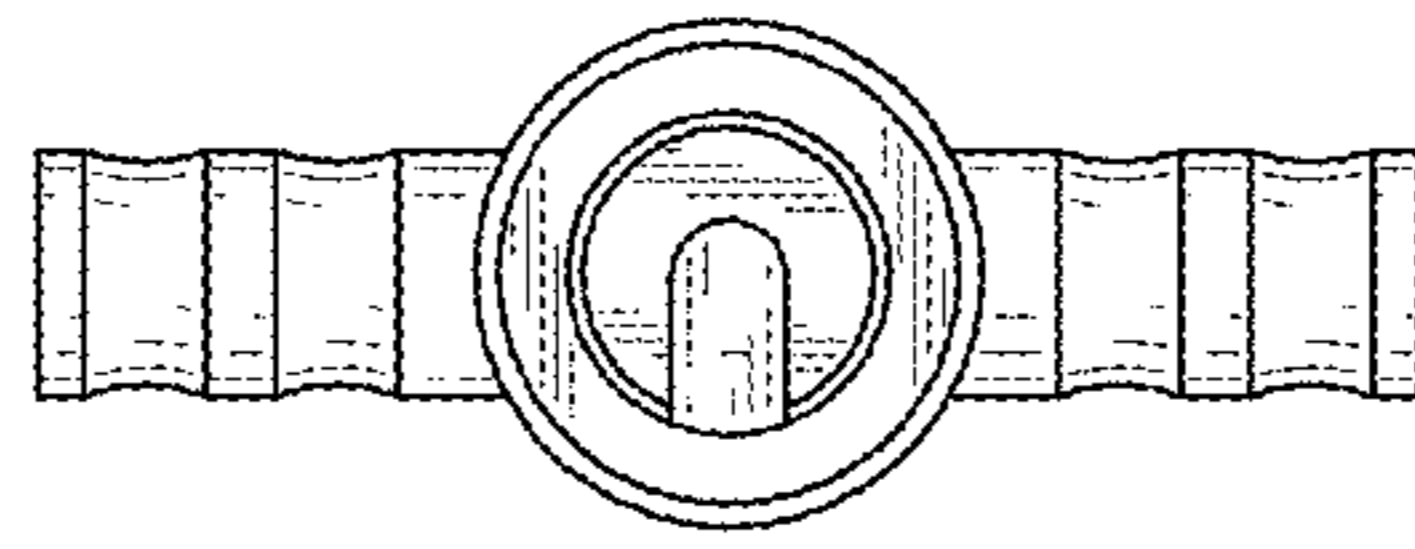


FIG. 8