



US00D879569S

(12) **United States Design Patent** (10) **Patent No.:** **US D879,569 S**
Lee (45) **Date of Patent:** **** Mar. 31, 2020**

(54) **CORKSCREW**
(71) Applicant: **Edward Lee**, Brooklyn, NY (US)
(72) Inventor: **Edward Lee**, Brooklyn, NY (US)
(73) Assignee: **Helen of Troy Limited**, St. Michael (BB)
(**) Term: **15 Years**
(21) Appl. No.: **29/644,180**
(22) Filed: **Apr. 16, 2018**
(51) **LOC (12) Cl.** **07-06**
(52) **U.S. Cl.**
USPC **D8/42**
(58) **Field of Classification Search**
USPC D8/18, 33-43
CPC .. B67B 7/06; B67B 7/066; B67B 7/12; B67B 7/16; B67B 7/18; B67B 7/20; B67B 7/24; B67B 7/30; B67B 7/34; B67B 2007/0458; B67B 2007/303
See application file for complete search history.

D429,613 S * 8/2000 Chang D8/42
D430,469 S * 9/2000 Thuma D8/39
D454,473 S * 3/2002 Sum D8/42
D455,622 S * 4/2002 Tse D8/42
D471,778 S * 3/2003 Federighi D8/42
D491,429 S * 6/2004 Simons D8/42
D498,651 S * 11/2004 Bates D8/42
D526,866 S * 8/2006 Bates D8/42
D572,988 S * 7/2008 Jalet D8/42
D582,231 S * 12/2008 Caroca D8/42
D609,988 S * 2/2010 Eide D8/42
D621,675 S * 8/2010 Molina D8/38
D623,914 S * 9/2010 van der Lande D8/38
D635,424 S * 4/2011 Morgan D8/42
D642,030 S * 7/2011 Dorey D8/38
D674,257 S * 1/2013 Dorey D8/38
D719,803 S * 12/2014 Agarwal D8/42
D814,895 S * 4/2018 Malaspino D8/40
D814,896 S * 4/2018 Bodurn D8/42

* cited by examiner

Primary Examiner — Elizabeth A. Albert
(74) *Attorney, Agent, or Firm* — Rankin, Hill & Clark LLP

(57) **CLAIM**

The ornamental design for a corkscrew, as shown, and described.

DESCRIPTION

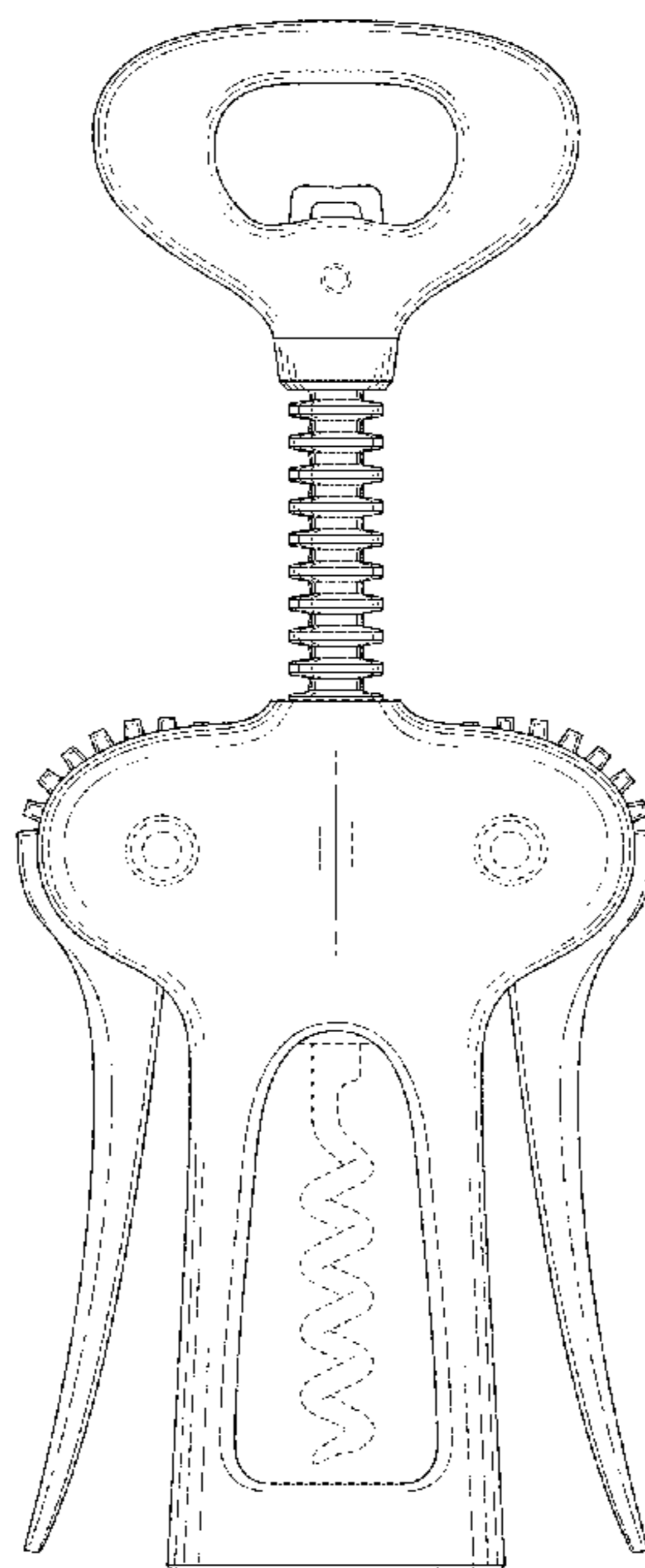
FIG. 1 is a perspective view of the corkscrew;
FIG. 2 is a front elevation view thereof (with the rear a mirror image thereof);
FIG. 3 is a right side view thereof (with the left side a mirror image thereof);
FIG. 4 is a top view thereof; and,
FIG. 5 is a bottom view thereof.
The broken lines represent unclaimed features and form no part of the claimed design.

1 Claim, 5 Drawing Sheets

(56) **References Cited**

U.S. PATENT DOCUMENTS

D184,613 S * 3/1959 Gemelli D8/38
D228,613 S * 10/1973 Ghidini D8/42
4,063,473 A * 12/1977 Bozzo B67B 7/0441
81/3.37
D339,041 S * 9/1993 Tanfoglio D8/42
D358,744 S * 5/1995 Entwistle 81/329
D359,213 S * 6/1995 Entwistle 81/3.29
D364,324 S * 11/1995 Entwistle D8/42
D366,198 S * 1/1996 Laib D8/42
D389,712 S * 1/1998 Usbeck D8/40
D397,010 S * 8/1998 Usbeck 7/155
D412,094 S * 7/1999 Weibel D8/42



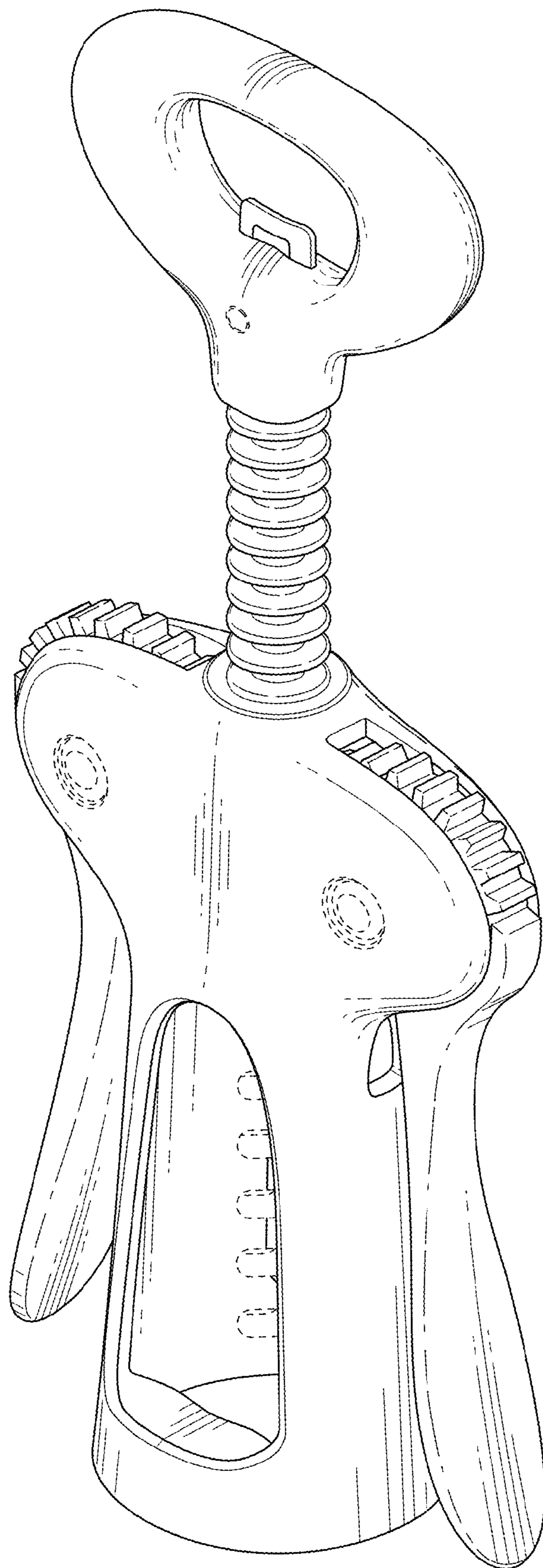


FIG. 1

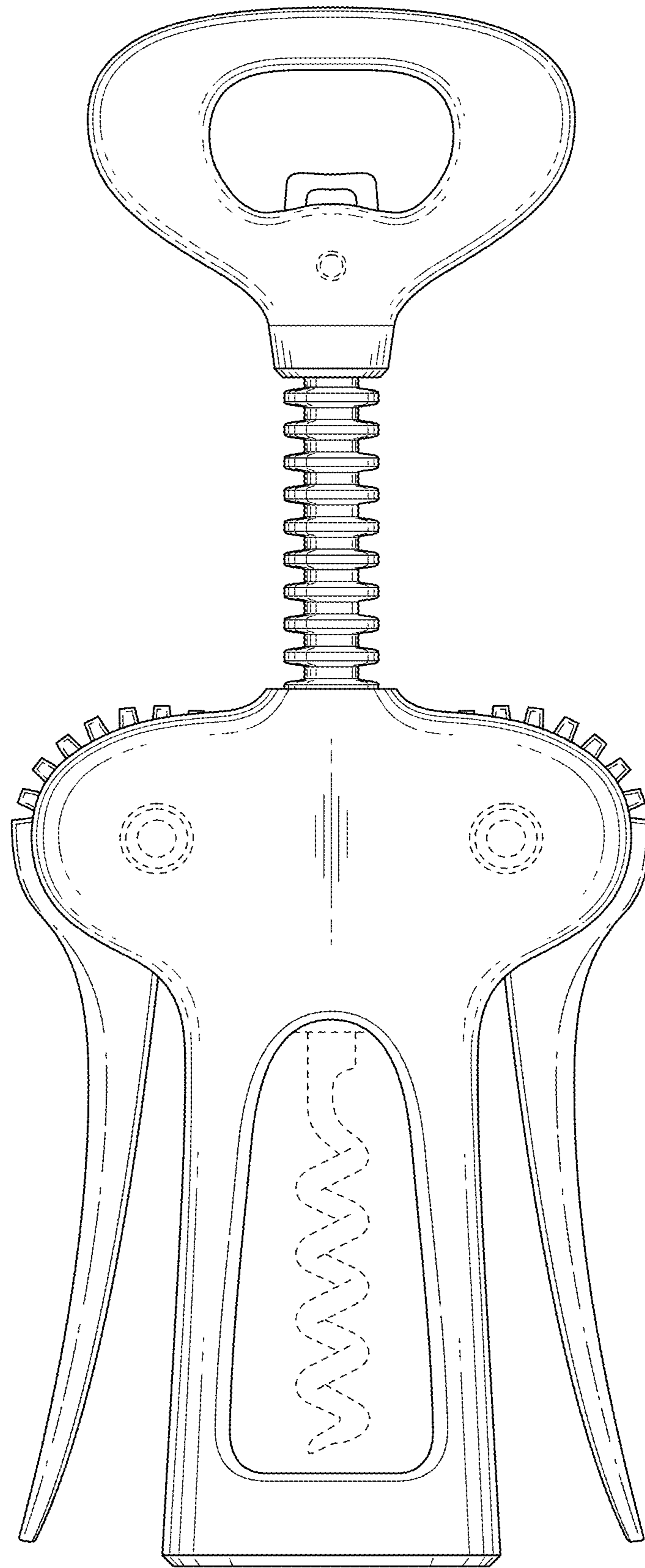


FIG. 2

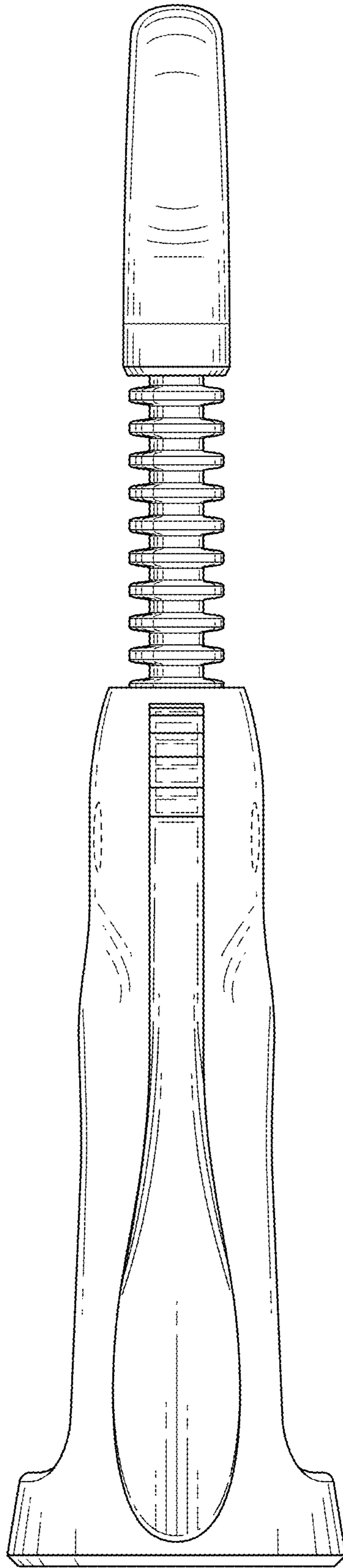


FIG. 3

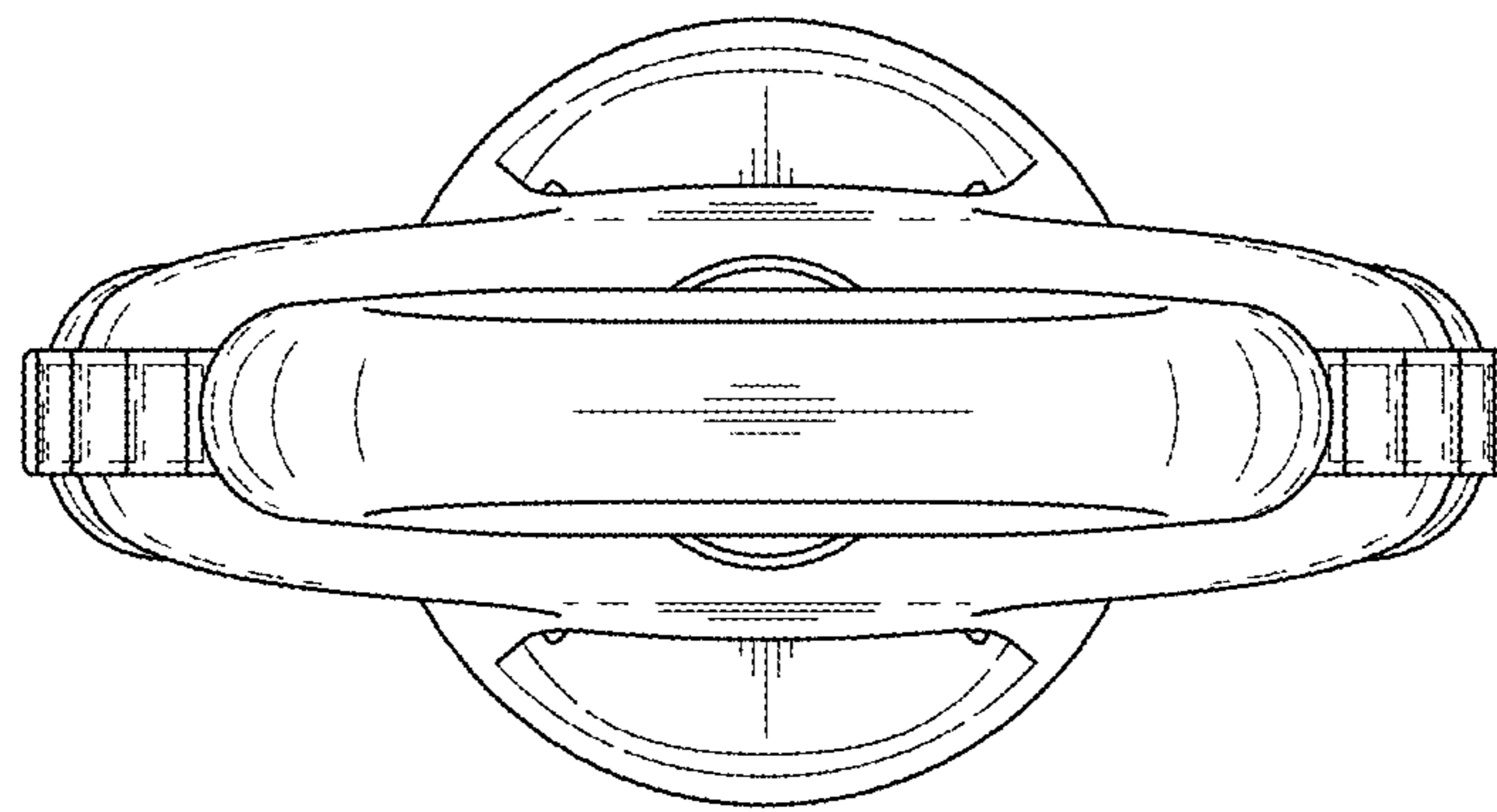


FIG. 4

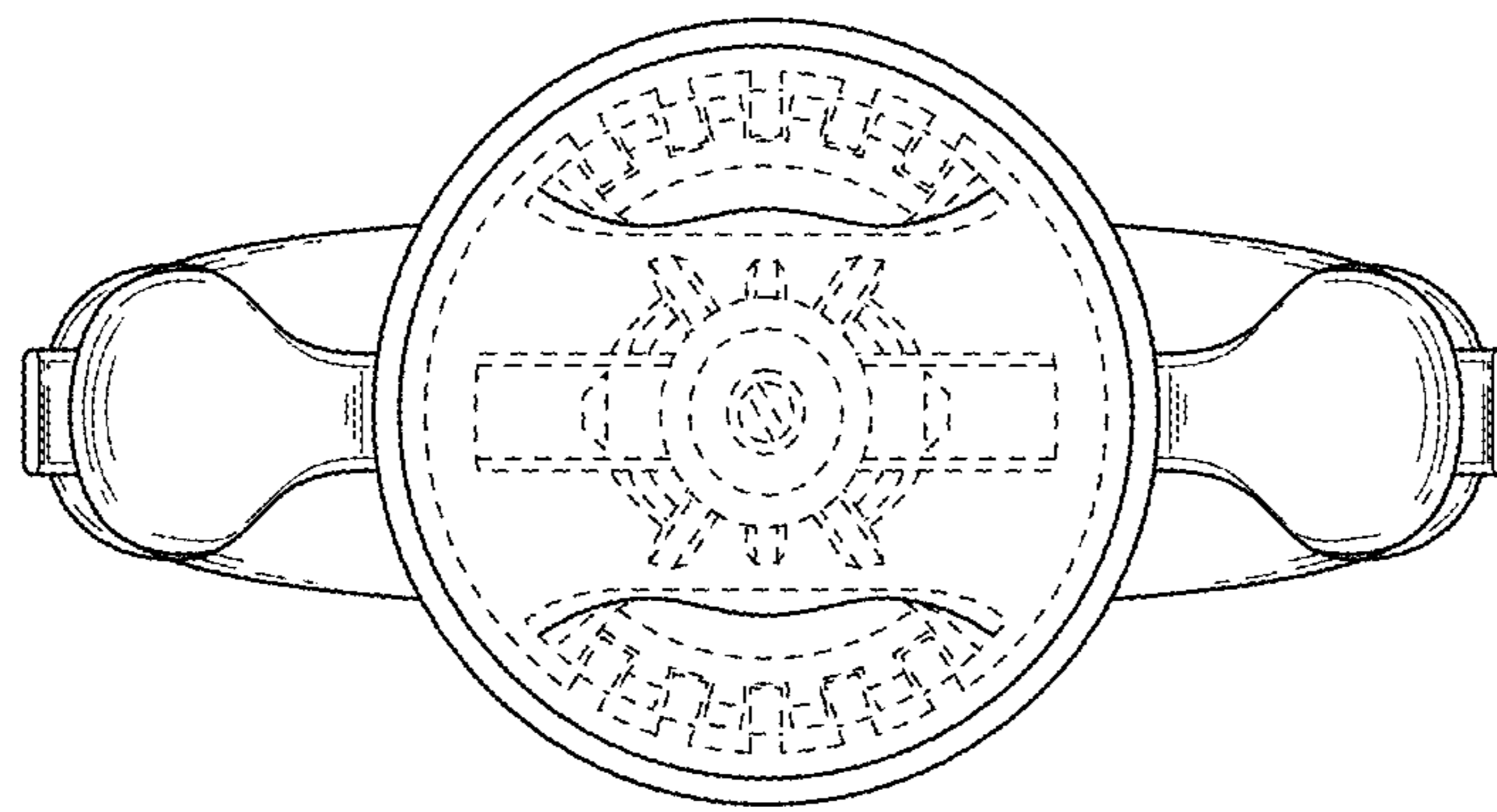


FIG. 5