



US00D879567S

(12) **United States Design Patent**
English

(10) **Patent No.:** **US D879,567 S**

(45) **Date of Patent:** **** Mar. 31, 2020**

(54) **VERTICAL HYDROPONIC GROW TUBE**

2011/0258923 A1* 10/2011 Lais A01G 13/0243
47/32.6

(71) Applicant: **Anthony D. English**, Littleton, CO
(US)

2014/0020292 A1 1/2014 Mcnamara
2016/0120141 A1* 5/2016 Stolfus A01G 31/06
47/62 A

(72) Inventor: **Anthony D. English**, Littleton, CO
(US)

(Continued)

(**) Term: **15 Years**

Primary Examiner — Sheryl Lane

(21) Appl. No.: **29/644,689**

(74) *Attorney, Agent, or Firm* — Patent Law Office of
Rick Martin, P.C.

(22) Filed: **Apr. 19, 2018**

(51) **LOC (12) Cl.** **08-01**

(52) **U.S. Cl.**
USPC **D8/1**

(58) **Field of Classification Search**
USPC D8/1; D25/119; D11/152, 156
CPC A01G 13/0243; A01G 31/06; A01G 29/00;
A01G 2031/006
See application file for complete search history.

(57) **CLAIM**

I claim the ornamental design for a vertical hydroponic grow tube, as shown and described.

DESCRIPTION

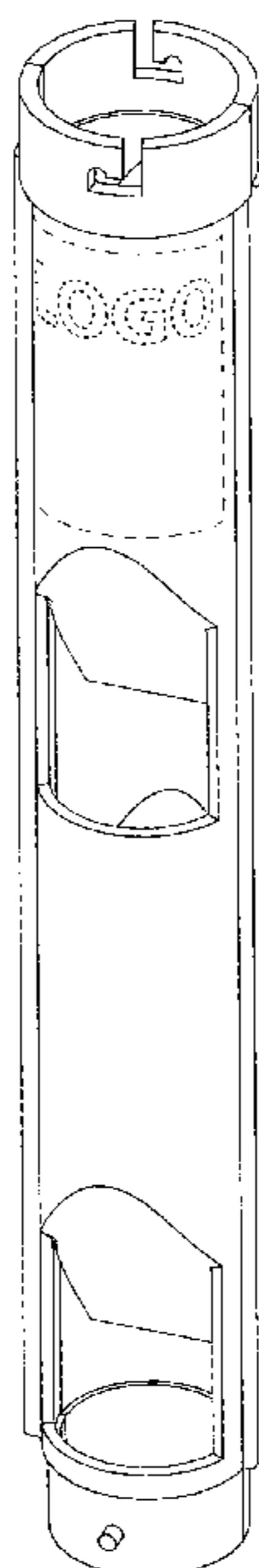
(56) **References Cited**

U.S. PATENT DOCUMENTS

D247,357 S *	2/1978	Gray	47/59 R
5,692,337 A *	12/1997	Motz, Jr.	A01G 13/0243 47/30
D409,057 S *	5/1999	Wagner	D8/1
D429,125 S *	8/2000	Ingleton	D8/1
D517,411 S *	3/2006	Okimoto	D11/152
D669,752 S *	10/2012	DeMitchell	D8/1
9,241,453 B1	1/2016	Martin et al.	
D791,559 S *	7/2017	DeCamp	D8/1
D796,378 S *	9/2017	Storey	D11/152
2005/0102892 A1 *	5/2005	Jones	A01G 13/0243 47/29.7
2006/0032122 A1 *	2/2006	Chang	A01G 24/28 47/58.1 SE
2010/0115835 A1 *	5/2010	Ronneke	A01G 13/0243 47/65.7

FIG. 1 is a front perspective view of the assembled tube; FIG. 2 is a rear perspective view of my invention; FIG. 3 is a rear elevation view of my invention; FIG. 4 is a right side elevation view of my invention; FIG. 5 is a left side elevation view of my invention; FIG. 6 is a rear elevation view of my invention; FIG. 7 is a top plan view of my invention; FIG. 8 is a bottom plan view of my invention; FIG. 9 is a front perspective view of the unassembled tube embodiment; FIG. 10 is a rear perspective view of the FIG. 9 embodiment; FIG. 11 is a front elevation view of the FIG. 9 embodiment; FIG. 12 is a right side elevation view of the FIG. 9 embodiment; FIG. 13 is a rear elevation view of the FIG. 9 embodiment; FIG. 14 is a left side elevation view of the FIG. 9 embodiment; FIG. 15 is a top plan view of the FIG. 9 embodiment; and, FIG. 16 is a bottom plan view of the FIG. 9 embodiment. The broken lines represent portions of the grow tube and form no part of the claimed design.

1 Claim, 8 Drawing Sheets



(56)

References Cited

U.S. PATENT DOCUMENTS

2016/0135398 A1* 5/2016 Mathieu A01G 31/06
47/62 R
2017/0172071 A1* 6/2017 Shaffer A01G 13/0243
2018/0000029 A1 1/2018 Martin et al.
2018/0098516 A1* 4/2018 Van Buuren A01G 9/023
2018/0352754 A1* 12/2018 Brusatore A01G 31/04

* cited by examiner

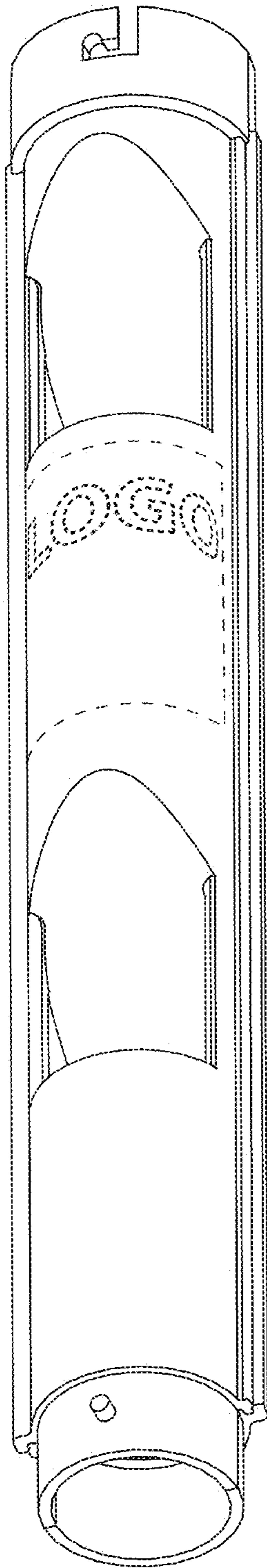


Fig. 1

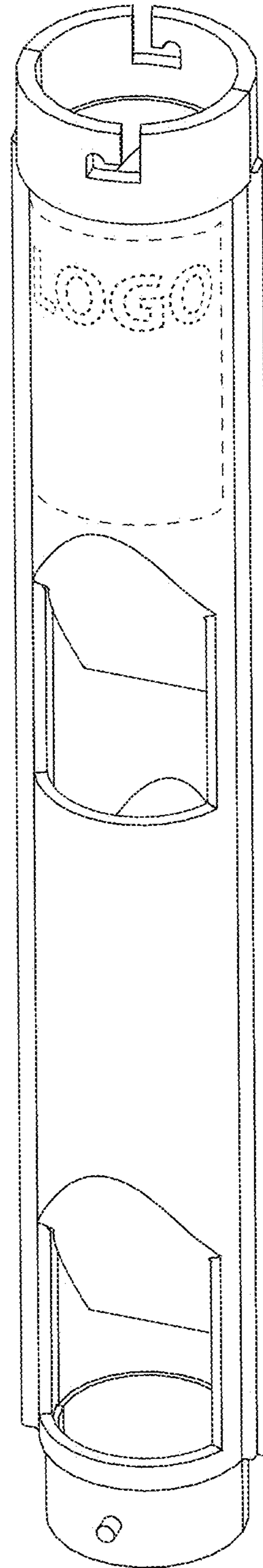


Fig. 2

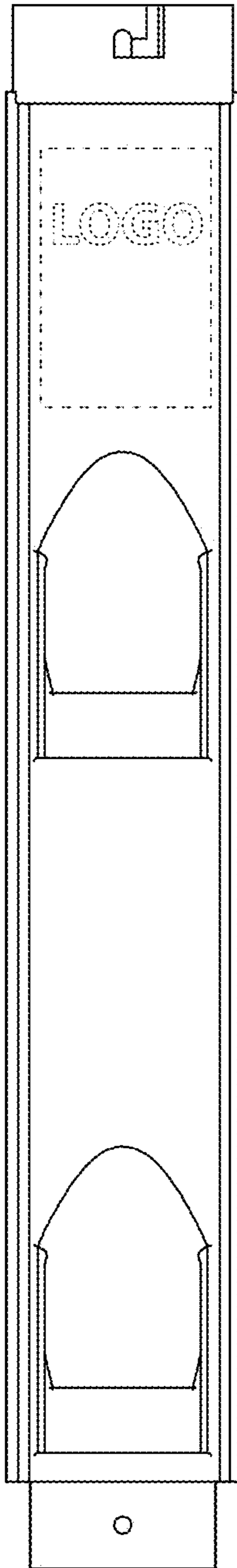


Fig. 3

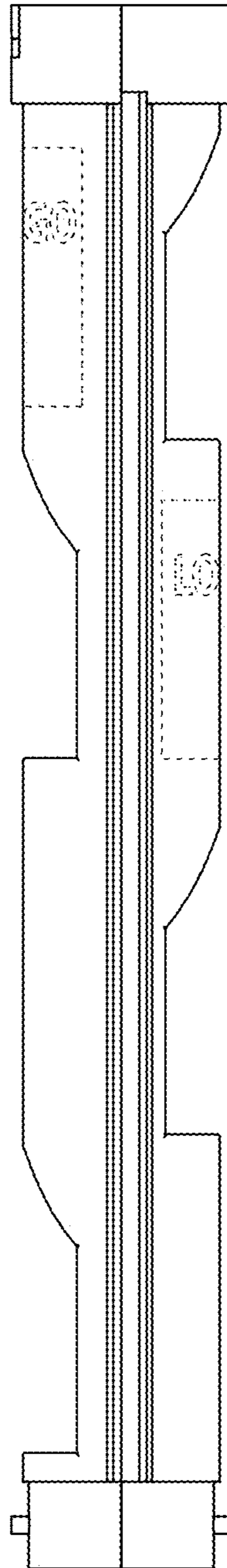


Fig. 4

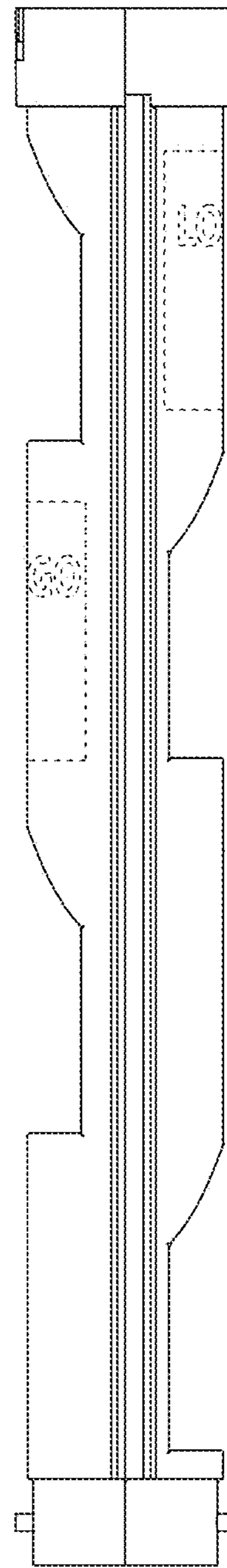


Fig. 5

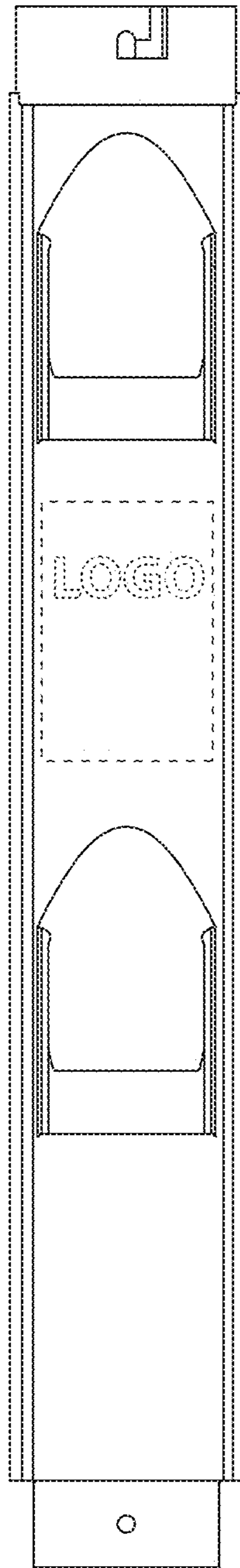


Fig. 6

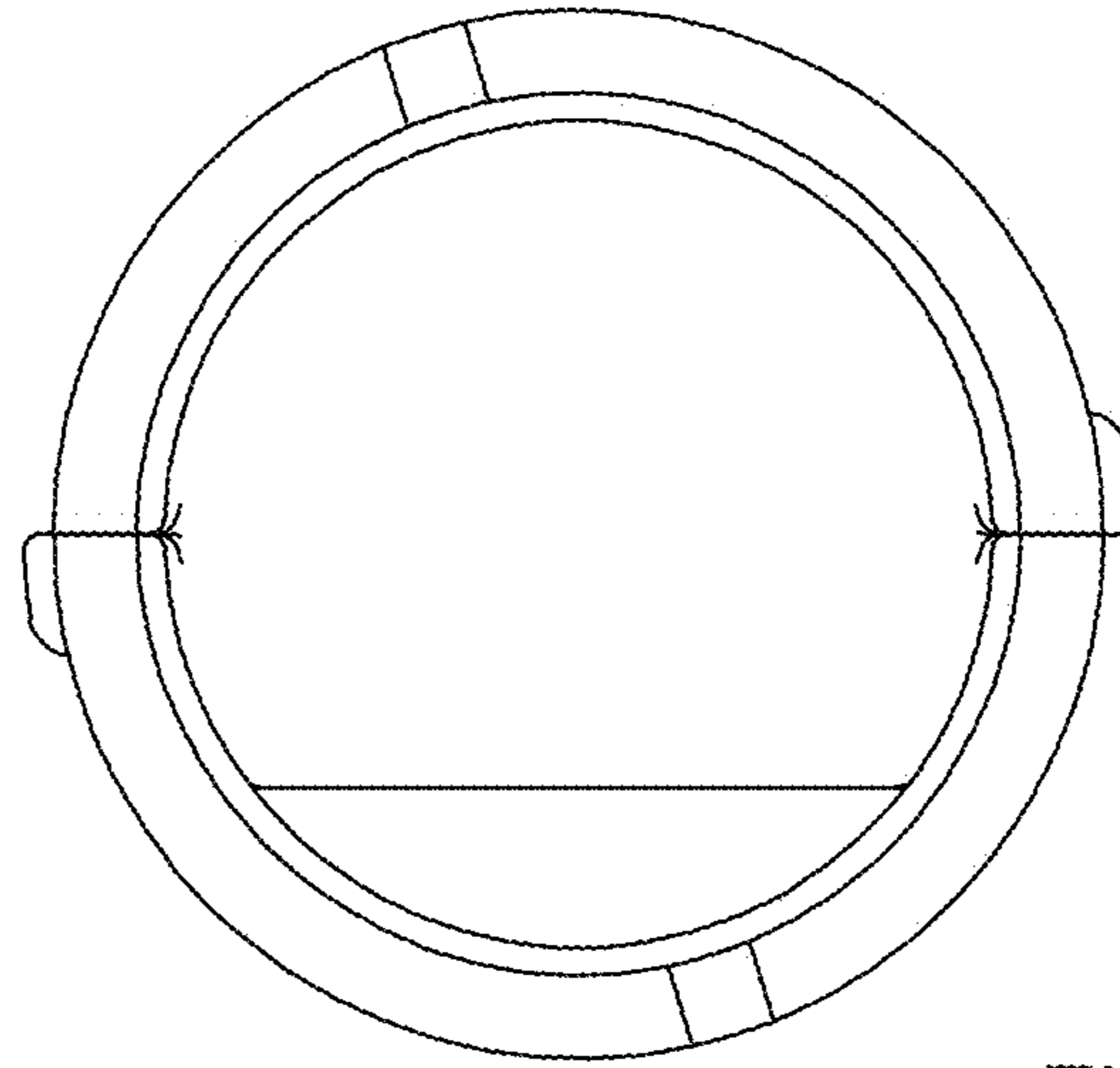


Fig. 7

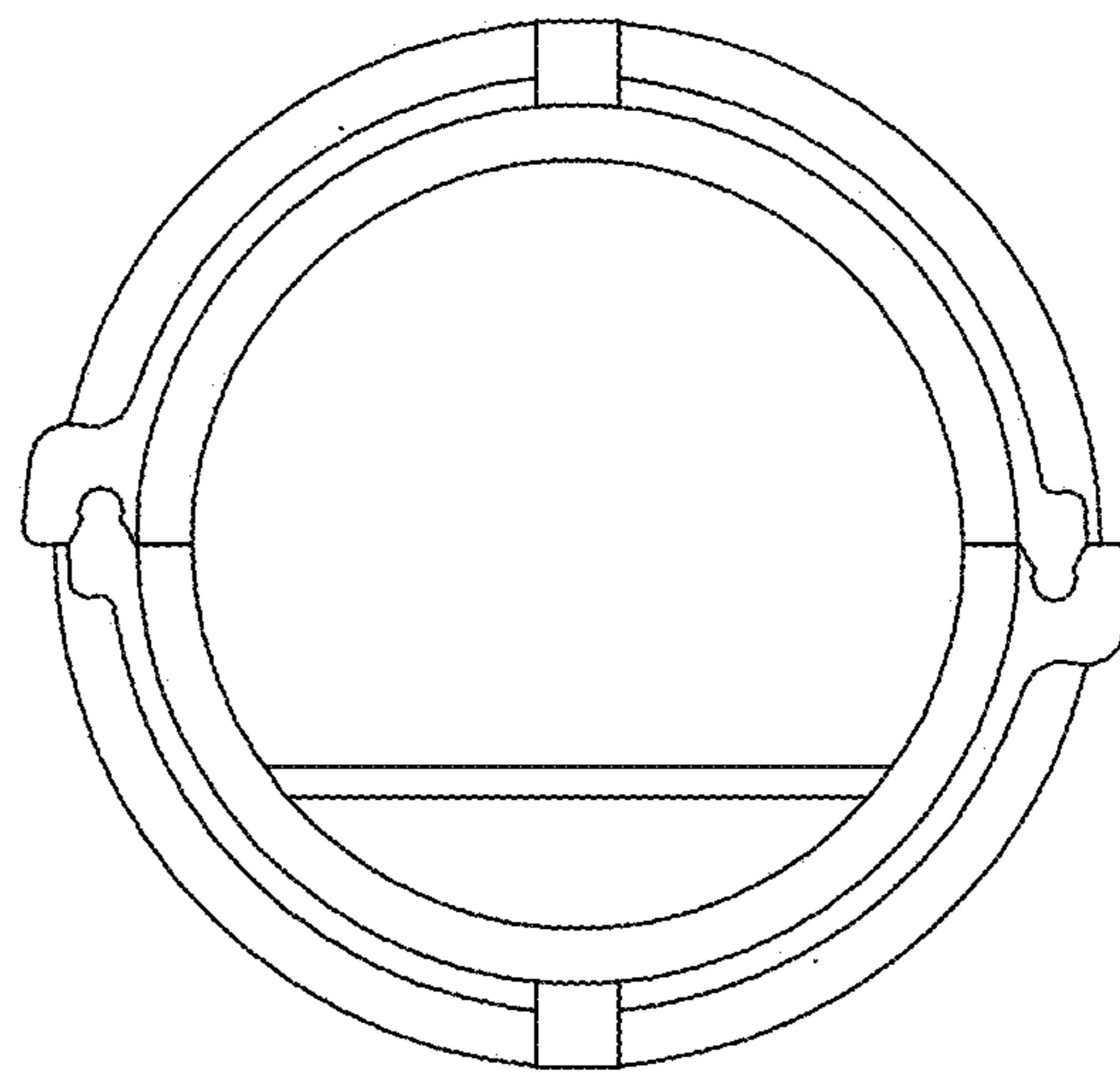


Fig. 8

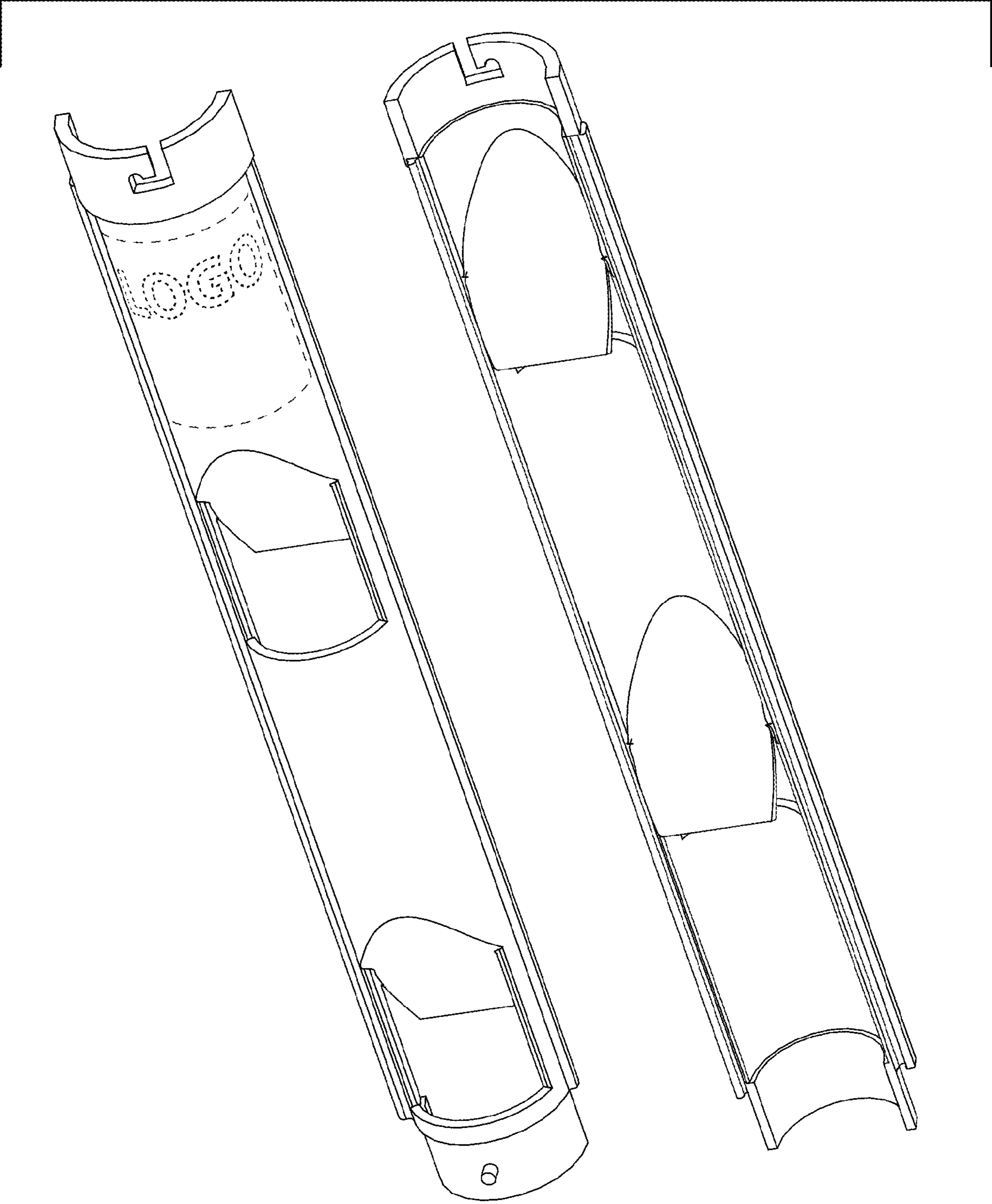


Fig. 9

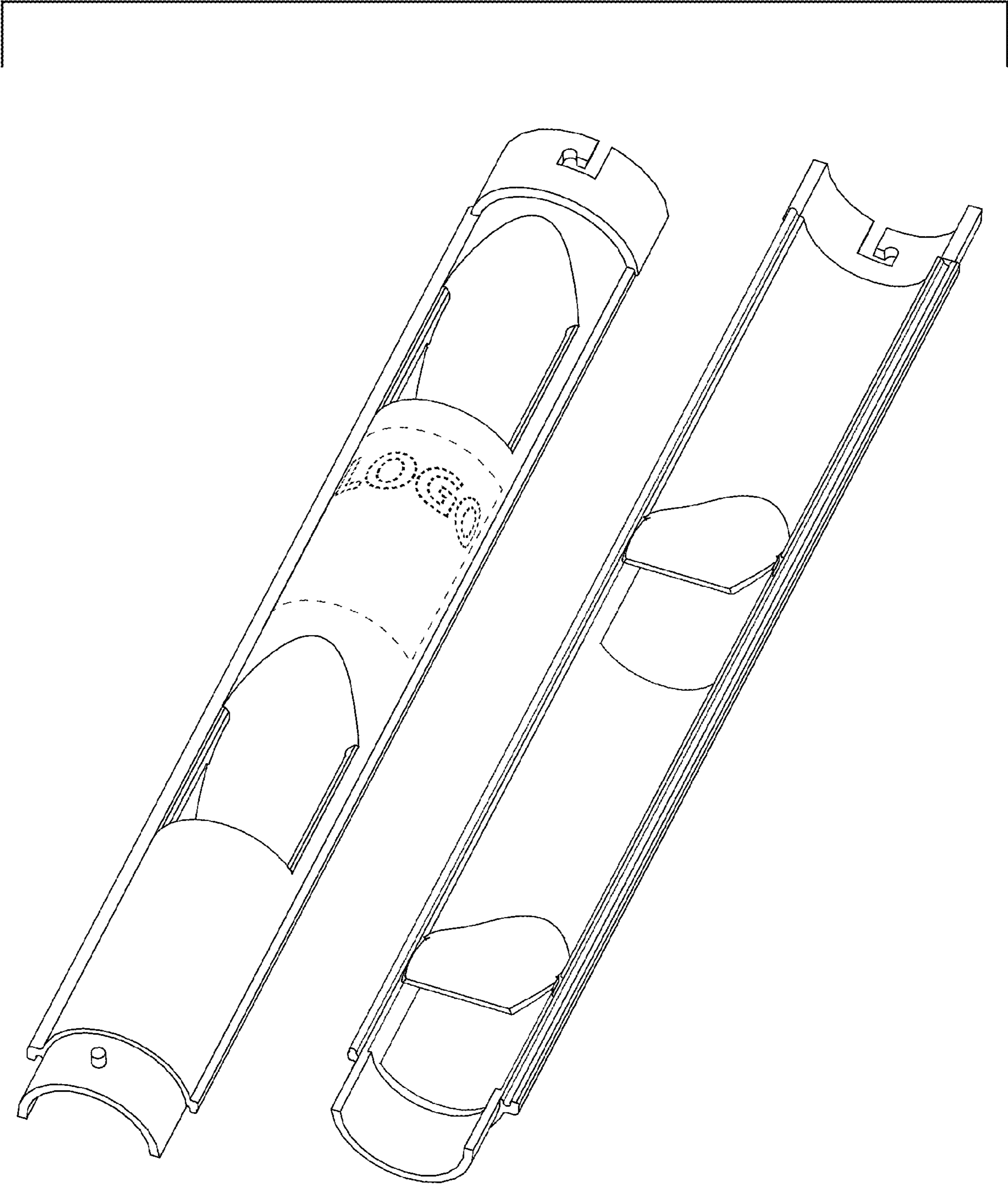


Fig. 10

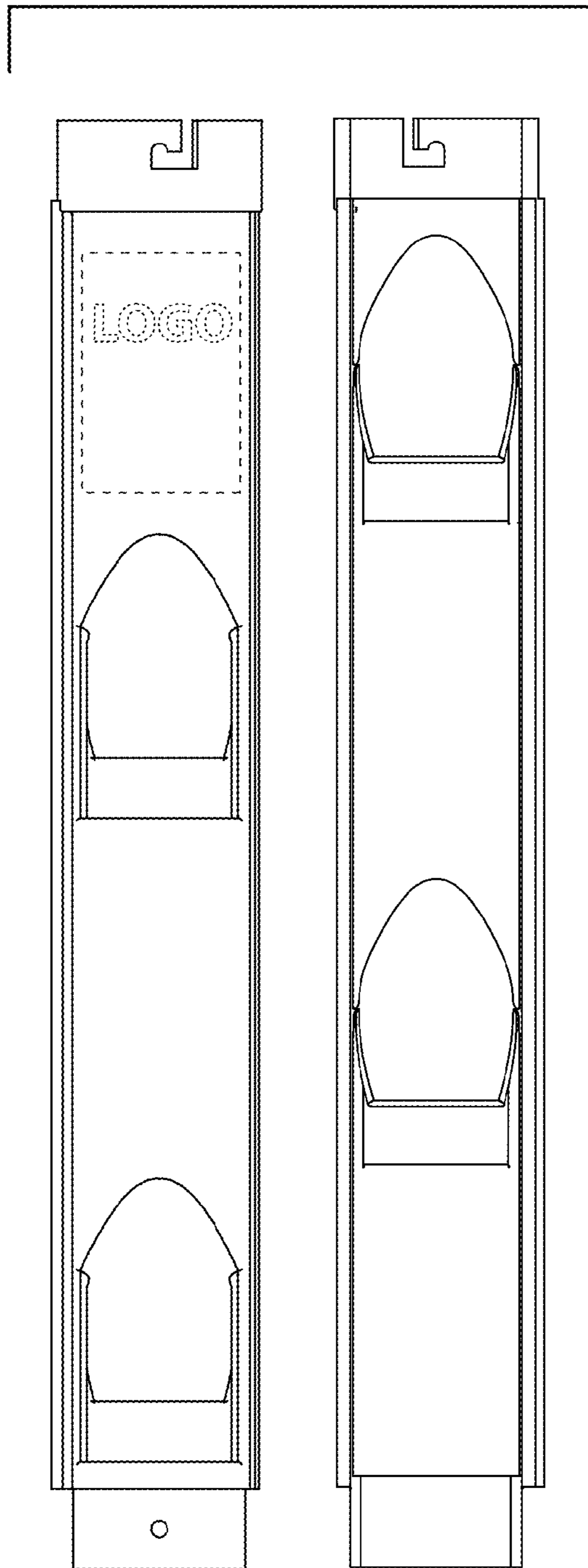


Fig. 11

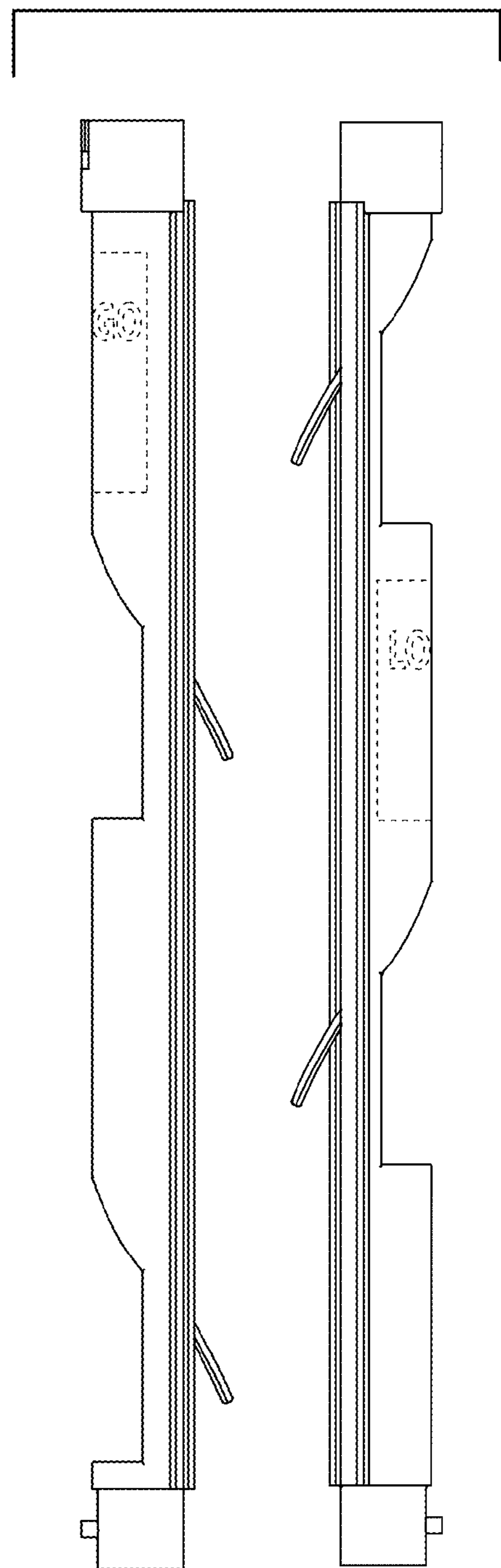


Fig. 12

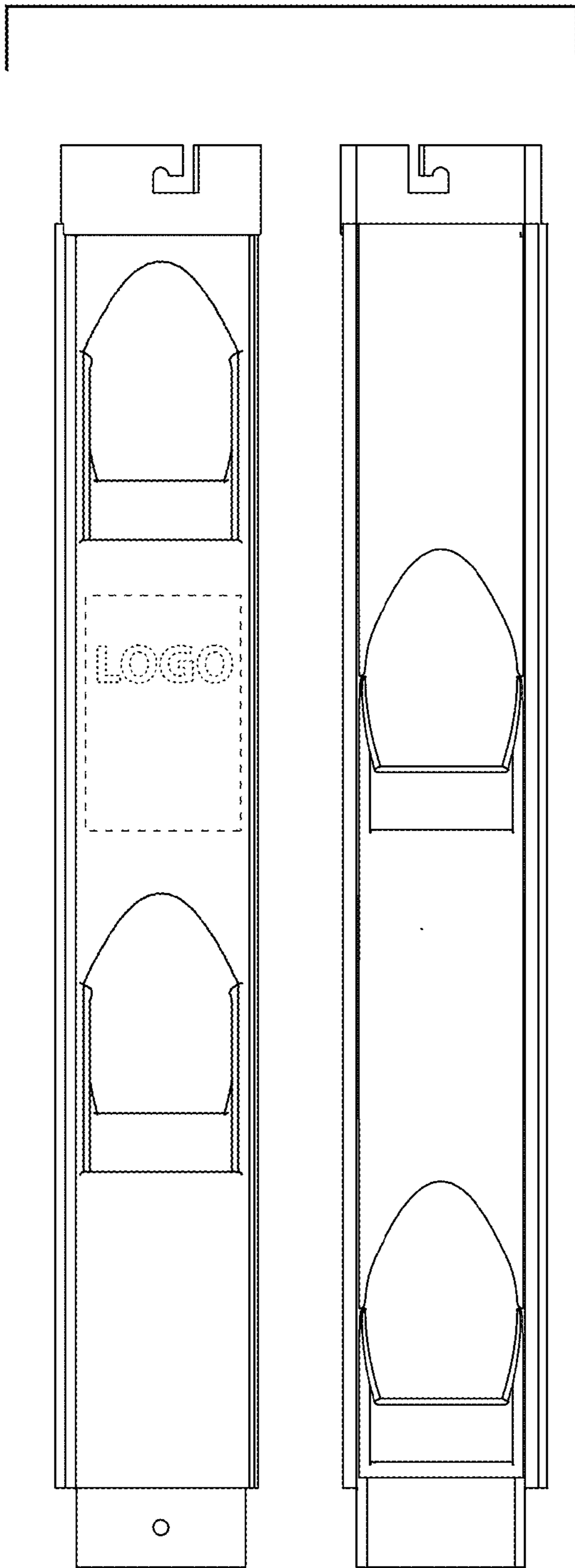


Fig. 13

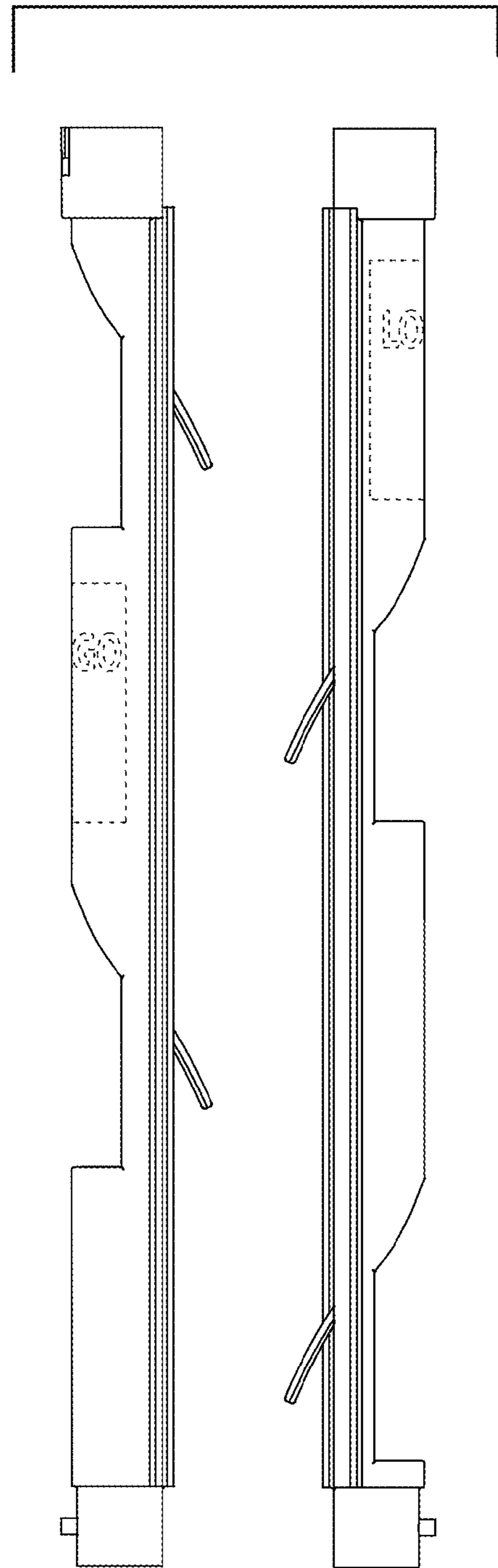


Fig. 14

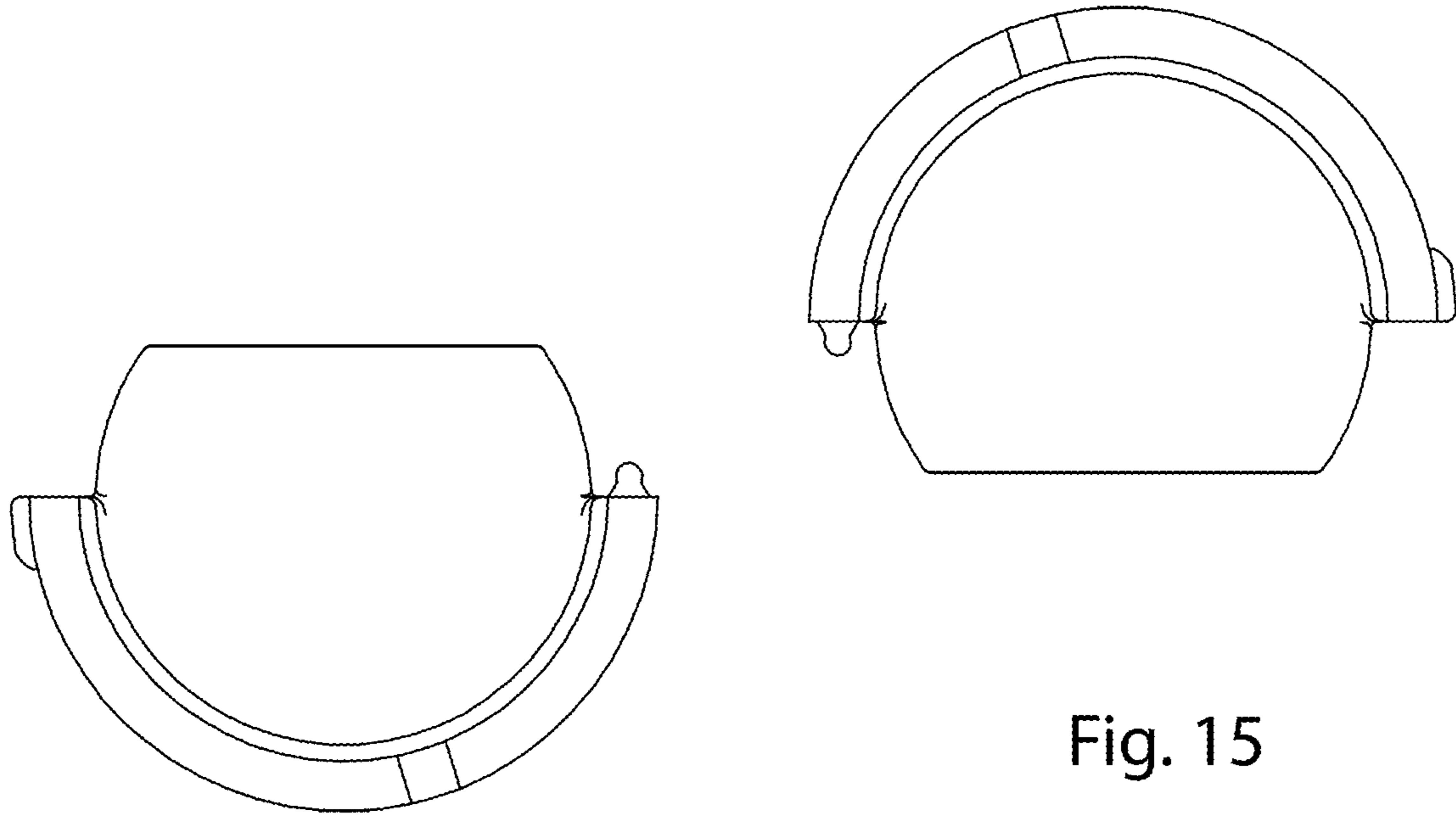
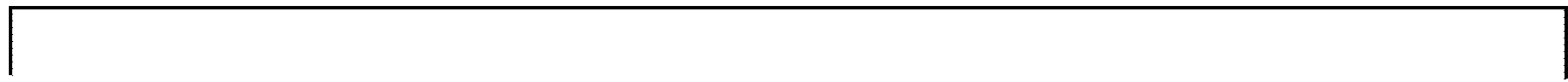


Fig. 15

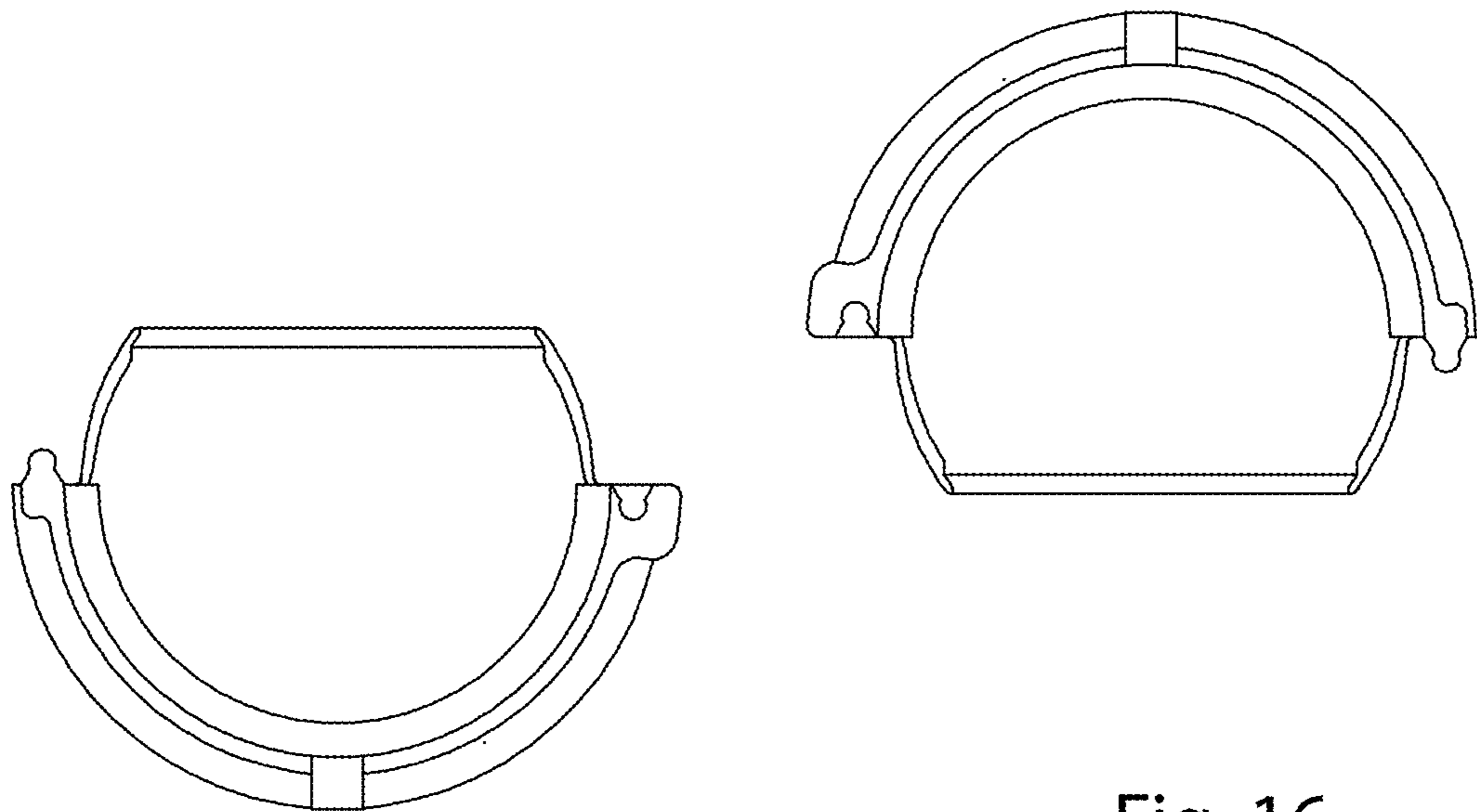


Fig. 16