



US00D879564S

(12) **United States Design Patent** (10) **Patent No.:** **US D879,564 S**  
**Adams, Jr. et al.** (45) **Date of Patent:** **\*\* Mar. 31, 2020**

- (54) **CANISTER**
- (71) Applicant: **Klean Kanteen, Inc.**, Chico, CA (US)
- (72) Inventors: **Richard John Adams, Jr.**, Bozeman, MT (US); **Joshua James Birkle**, Chico, CA (US)
- (73) Assignee: **KLEAN KANTEEN, INC.**, Chico, CA (US)
- (\*\*) Term: **15 Years**
- (21) Appl. No.: **29/633,351**
- (22) Filed: **Jan. 12, 2018**
- (51) **LOC (12) Cl.** ..... **09-02**
- (52) **U.S. Cl.**  
USPC ..... **D7/612**
- (58) **Field of Classification Search**  
USPC ..... D7/300, 396.2, 507-509, 523, 532, 537, D7/601, 602, 603, 605, 608, 612, 619.1, D7/629, 630; D3/202; D9/424, 500, D9/503, 504, 516, 520, 549, 550, 558, D9/715; D11/143, 144, 152; D26/6, 7, D26/10, 16; D27/134; D30/129  
CPC ... A47G 19/2205; A47G 19/2255; A45F 3/20; A45F 2003/205; B65D 1/22  
See application file for complete search history.

(56) **References Cited**

U.S. PATENT DOCUMENTS

D335,428 S *	5/1993	Picozza	.....	D7/612
D358,531 S *	5/1995	Cousins	.....	D7/612
D390,422 S *	2/1998	Daenen	.....	D7/615
D485,017 S *	1/2004	Noh	.....	D28/76
D652,682 S *	1/2012	Eyal	.....	D7/510
D660,084 S *	5/2012	Gilbert	.....	D7/510
D695,138 S *	12/2013	Ball	.....	D9/435
D737,149 S *	8/2015	Son	.....	D9/688

D753,445 S *	4/2016	Khalifa	.....	D7/615
D763,044 S *	8/2016	Ruotsalainen	.....	D7/629
D786,679 S *	5/2017	Barroso Miana	.....	D9/504
D823,689 S *	7/2018	Durand	.....	D9/503
D826,055 S *	8/2018	Augustyniak	.....	D9/504
D829,058 S *	9/2018	Seiders	.....	D7/624.2
D839,049 S *	1/2019	Seiders	.....	D7/510
D847,645 S *	5/2019	Lee	.....	D9/504
D849,543 S *	5/2019	Augustyniak	.....	D9/504
D855,465 S *	8/2019	McCay	.....	D9/504
D860,794 S *	9/2019	Augustyniak	.....	D9/504
D860,816 S *	9/2019	Rathbun	.....	D9/780
D861,433 S *	10/2019	Busch	.....	D7/509
2010/0213158 A1 *	8/2010	Kim	.....	B65D 39/0076 215/228
2014/0069917 A1 *	3/2014	Meyers	.....	B65D 21/022 220/23.88
2015/0335132 A1 *	11/2015	Hall	.....	A45D 40/0075 222/146.5

\* cited by examiner

*Primary Examiner* — Derrick E Holland

*Assistant Examiner* — Andrew Kerr

(74) *Attorney, Agent, or Firm* — Alleman Hall Creasman & Tuttle LLP

(57) **CLAIM**

The ornamental design for a canister, as shown and described.

**DESCRIPTION**

FIG. 1 is a top perspective view of an ornamental design for a canister.

FIG. 2 is a bottom perspective view of the canister of FIG. 1.

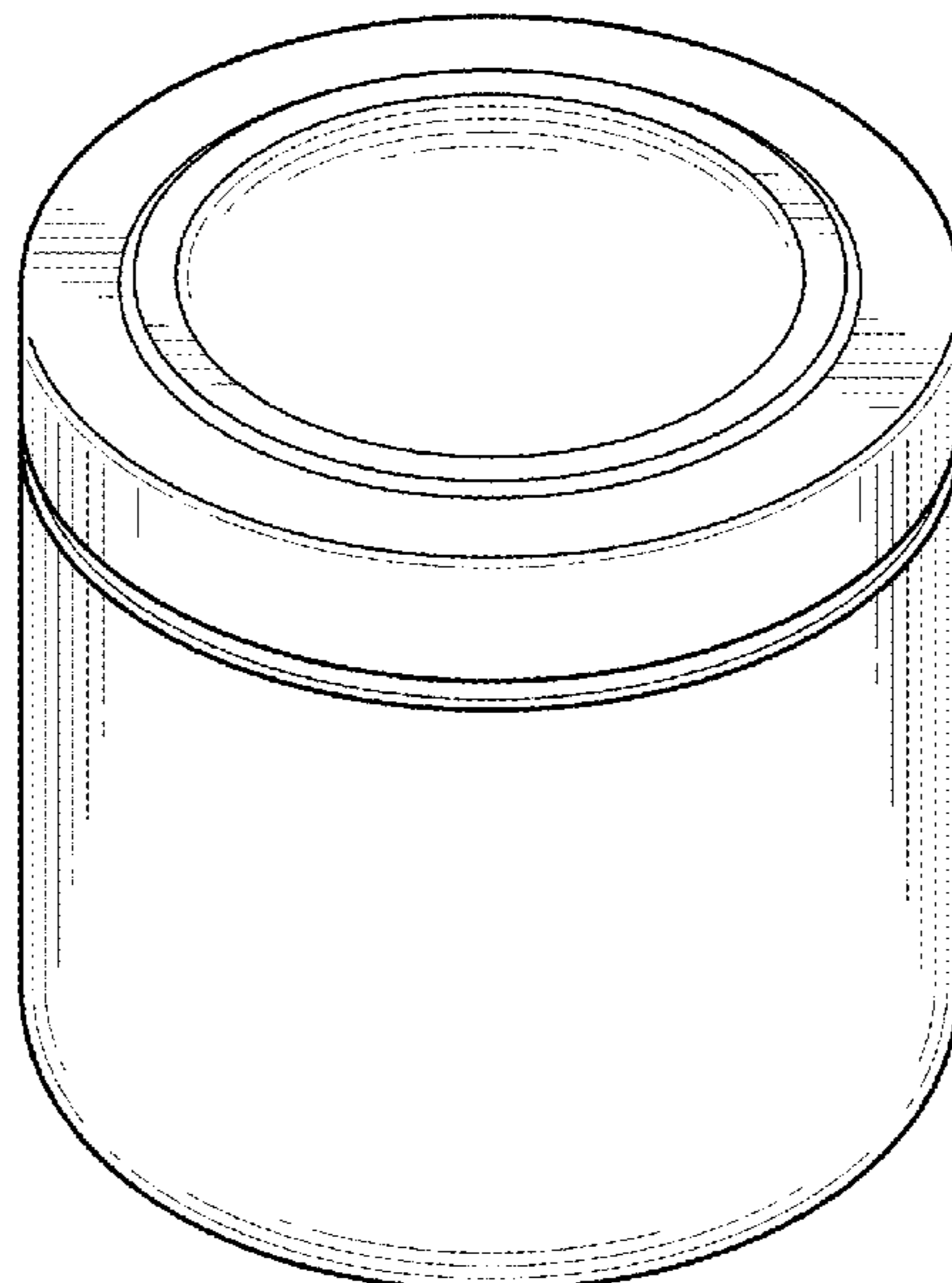
FIG. 3 is a front elevation view of the canister of FIG. 1.

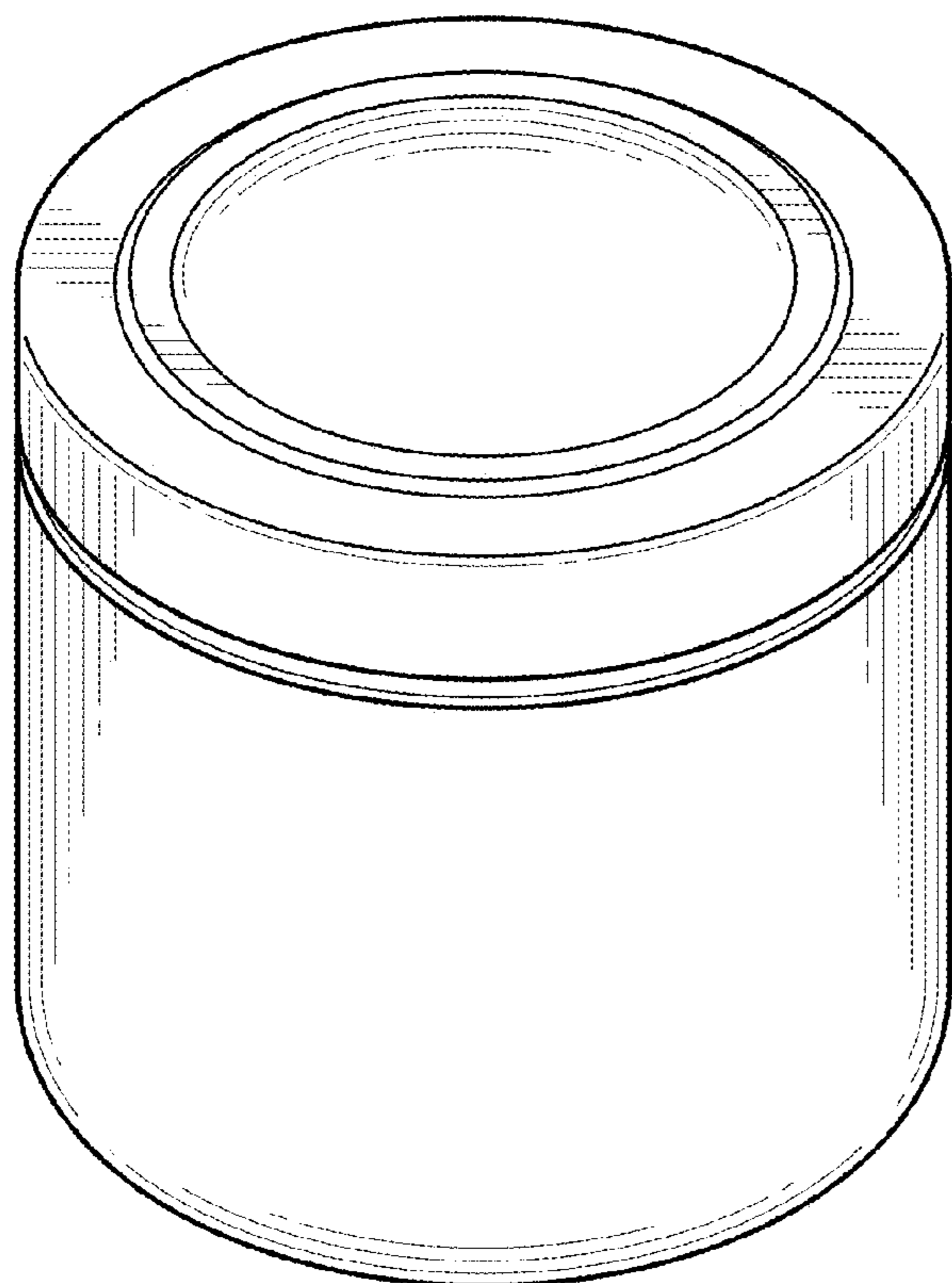
FIG. 4 is a top plan view of the canister of FIG. 1; and,

FIG. 5 is a bottom plan view of the canister of FIG. 1.

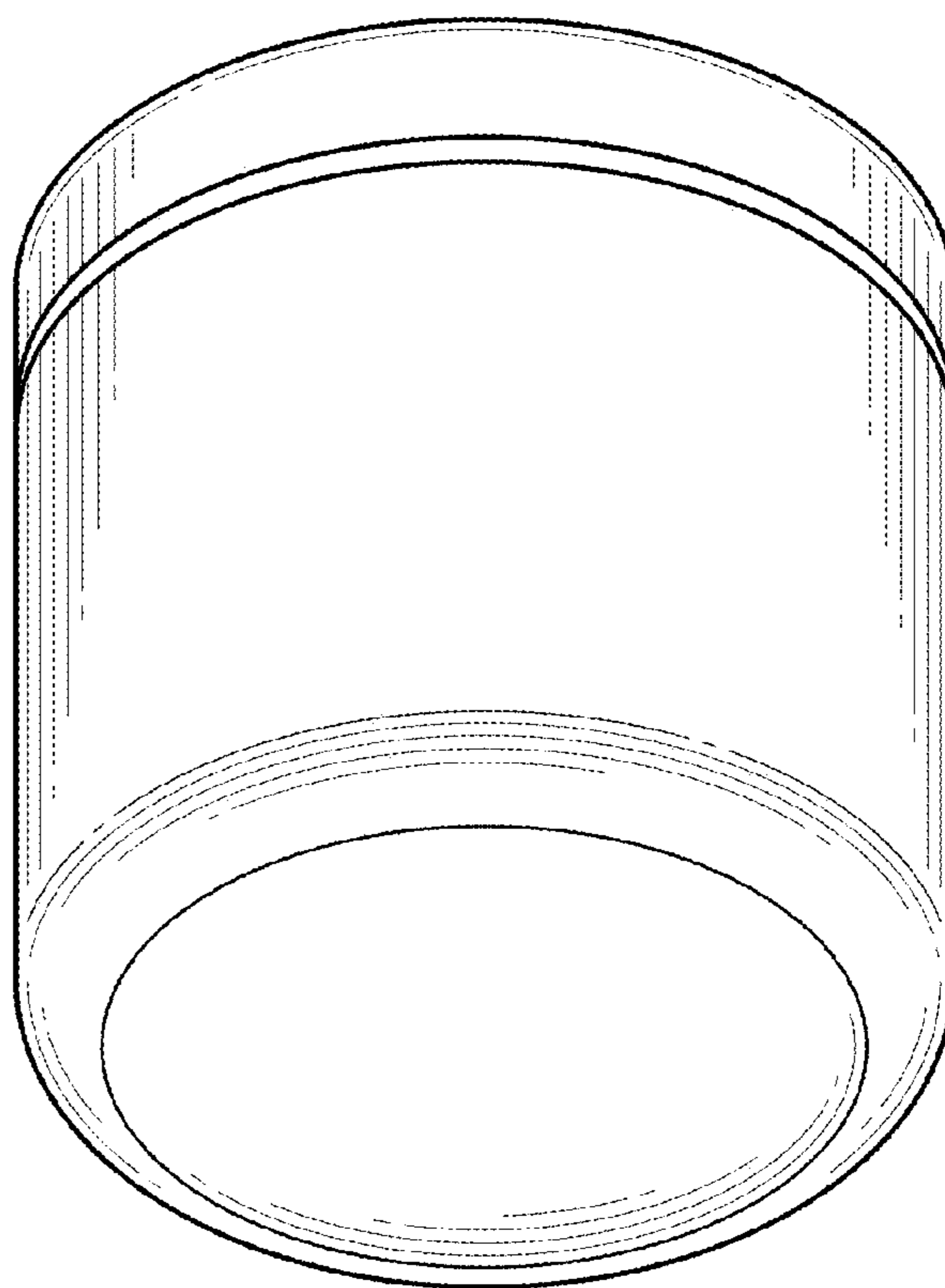
The left-side elevation view, right-side elevation view, and back elevation view are identical to the front elevation view.

**1 Claim, 3 Drawing Sheets**

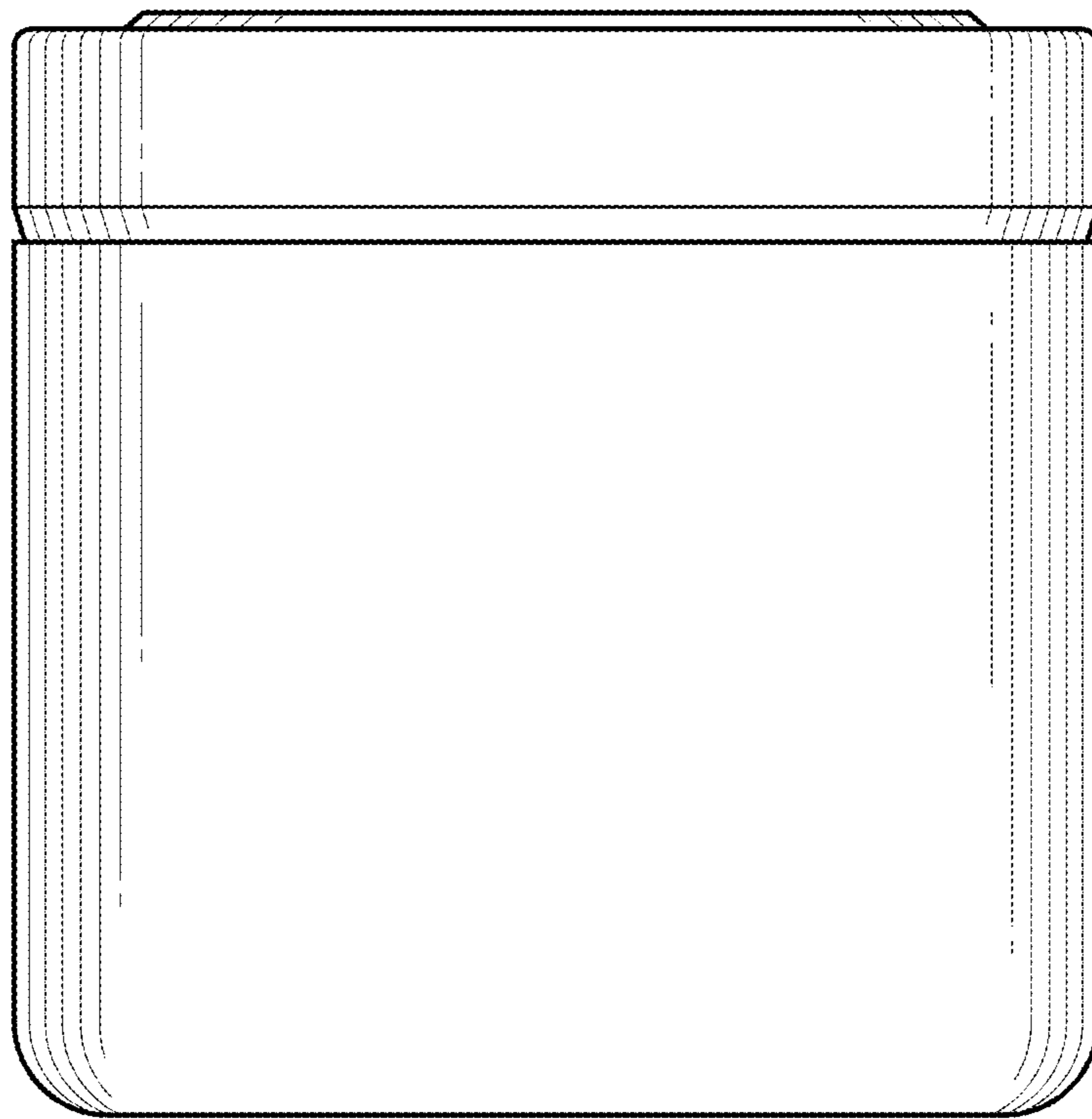




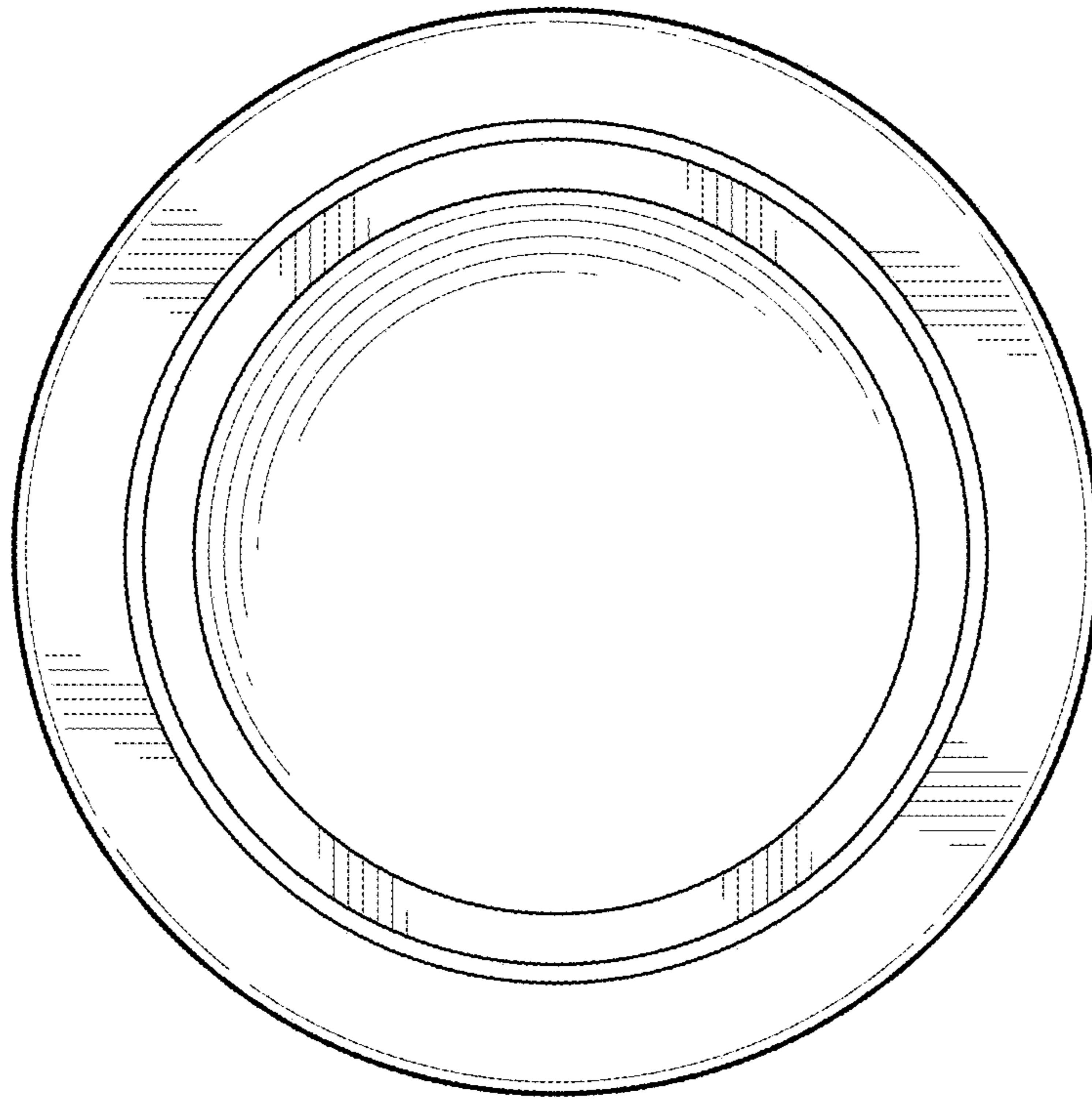
**FIG. 1**



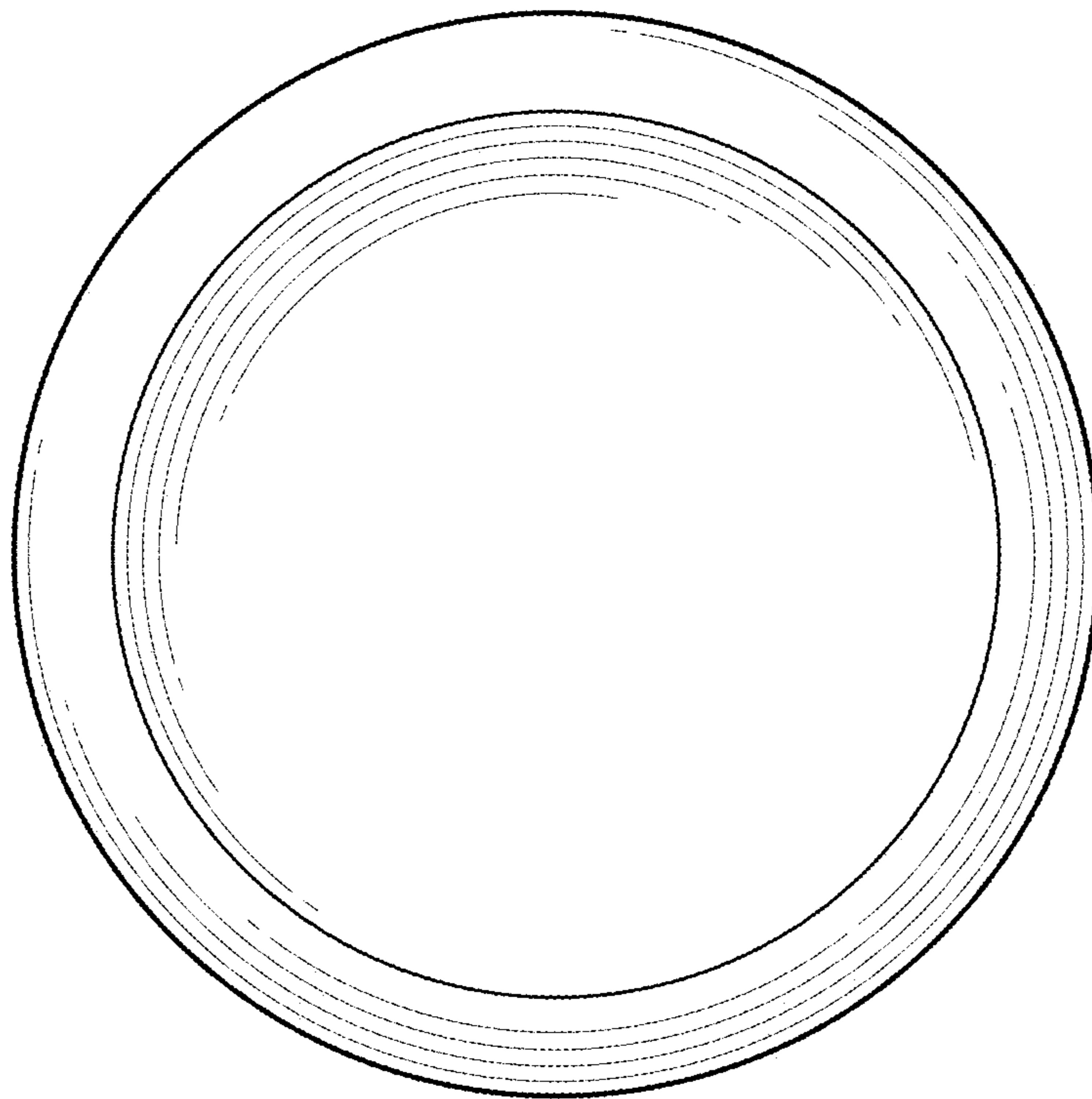
**FIG. 2**



**FIG. 3**



**FIG. 4**



**FIG. 5**