



US00D879560S

(12) **United States Design Patent**
Lowette

(10) **Patent No.:** **US D879,560 S**
(45) **Date of Patent:** **** Mar. 31, 2020**

(54) **BOTTLE**

(71) Applicant: **BIBO BRANDS BVBA**, Hasselt (BE)

(72) Inventor: **Stijn Lowette**, Hasselt (BE)

(73) Assignee: **Bibo Brands BVBA**, Hasselt (BE)

(**) Term: **15 Years**

(21) Appl. No.: **29/655,241**

(22) Filed: **Jul. 2, 2018**

(30) **Foreign Application Priority Data**

Mar. 26, 2018 (EM) 005120003-0001

(51) **LOC (12) Cl.** **07-01**

(52) **U.S. Cl.**

USPC **D7/531**; D7/532; D9/550; D9/553

(58) **Field of Classification Search**

USPC D7/507, 509, 510, 511, 529, 530, 531,
D7/532, 523, 534, 536, 608, 392.1, 396.2,
D7/514, 515, 516, 519; D9/500, 501,
D9/502, 503, 504, 612, 605, 301, 600,
D9/685, 442, 529, 530, 537, 550, 553,
D9/566, 563, 549

CPC A47G 19/22; A47G 19/2288; A47G
19/2205; A47G 19/2222; A47G 19/2233;
A47G 19/2266; B65D 47/066

See application file for complete search history.

(56) **References Cited**

U.S. PATENT DOCUMENTS

D282,050 S * 1/1986 Beaver D9/547
D689,331 S * 9/2013 Staton D7/510

D698,657 S * 2/2014 Bernstein D7/510
D724,896 S * 3/2015 Williams D7/511
D745,408 S * 12/2015 Koop D9/550
D762,418 S * 8/2016 Sorensen D7/511
D766,090 S * 9/2016 Boroski D7/509
D784,763 S * 4/2017 Oshana D7/509
D793,165 S * 8/2017 Rummel D7/510
D795,012 S * 8/2017 Rummel D7/510
D800,501 S * 10/2017 Rummel D7/509
D832,049 S * 10/2018 Christener D7/507
D859,078 S * 9/2019 Rummel D7/510
D859,080 S * 9/2019 Rummel D7/511
D862,235 S * 10/2019 Sanghavi D9/529
D863,888 S * 10/2019 Meyers D7/413

* cited by examiner

Primary Examiner — Jae Liang

(74) *Attorney, Agent, or Firm* — Kirschstein, Israel,
Schiffmiller & Pieroni, P.C.

(57) **CLAIM**

The ornamental design for a bottle, as shown and described.

DESCRIPTION

FIG. 1 is a top front perspective view of a bottle showing my new design.

FIG. 2 is a top rear perspective view thereof.

FIG. 3 is a front elevational view thereof.

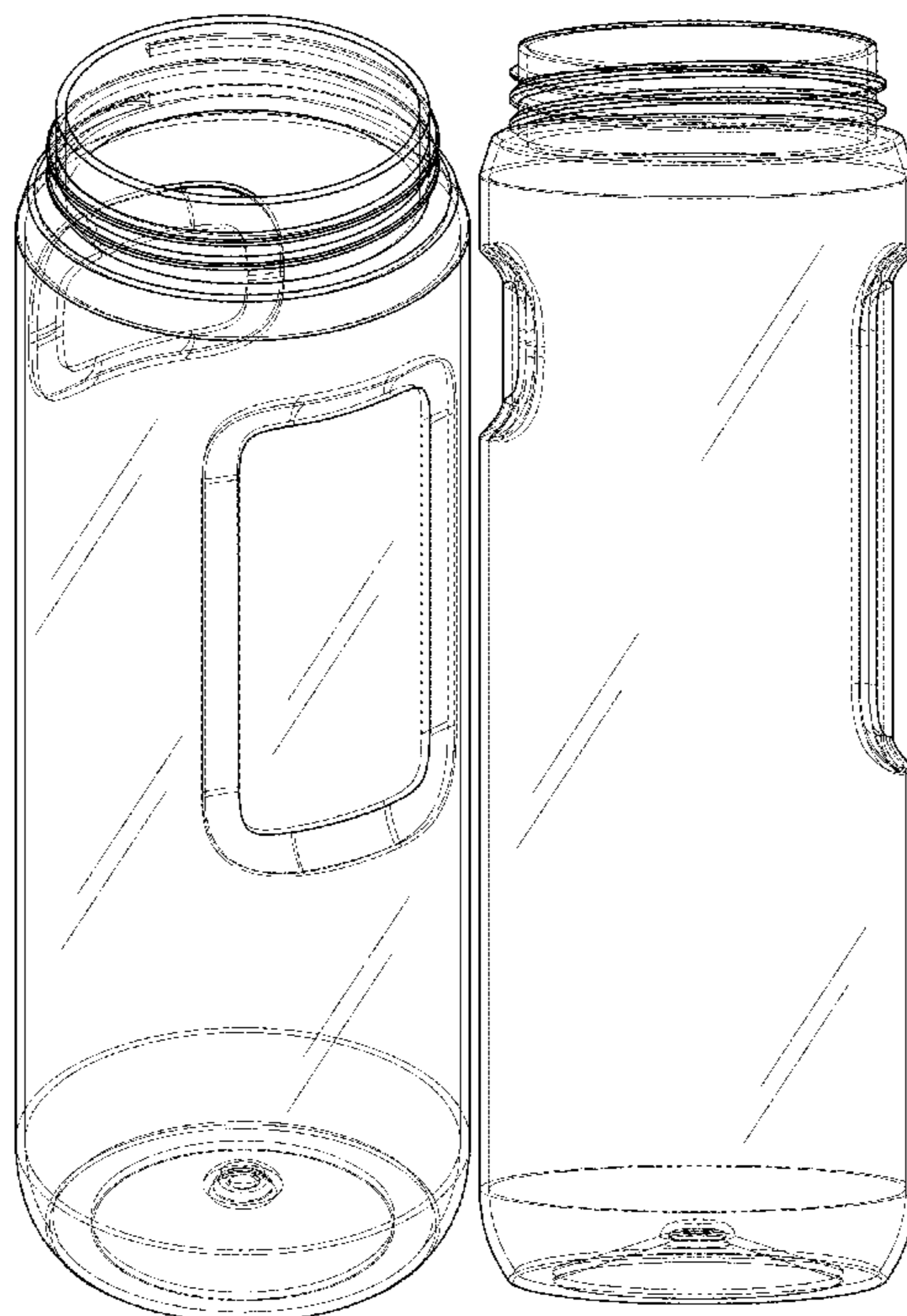
FIG. 4 is a rear elevational view thereof.

FIG. 5 is a right side elevational view thereof, the left side being a mirror image.

FIG. 6 is a top plan view thereof; and,

FIG. 7 is a bottom plan view thereof.

1 Claim, 6 Drawing Sheets



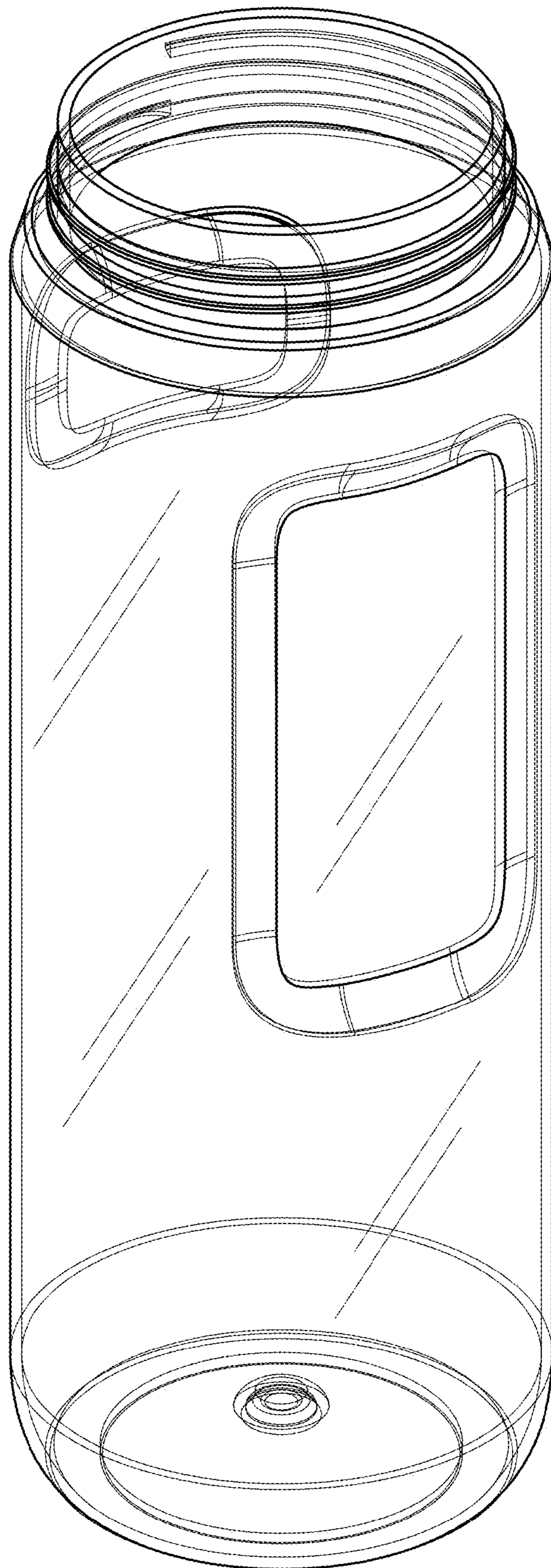


FIG. 1

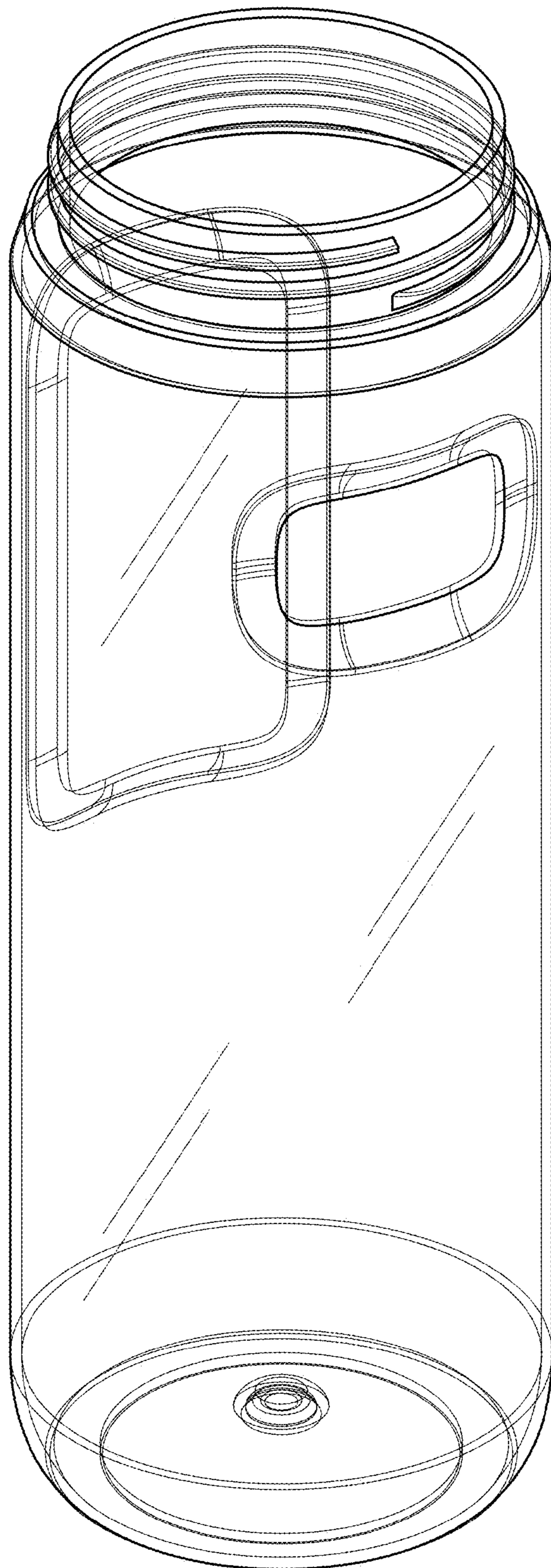


FIG. 2

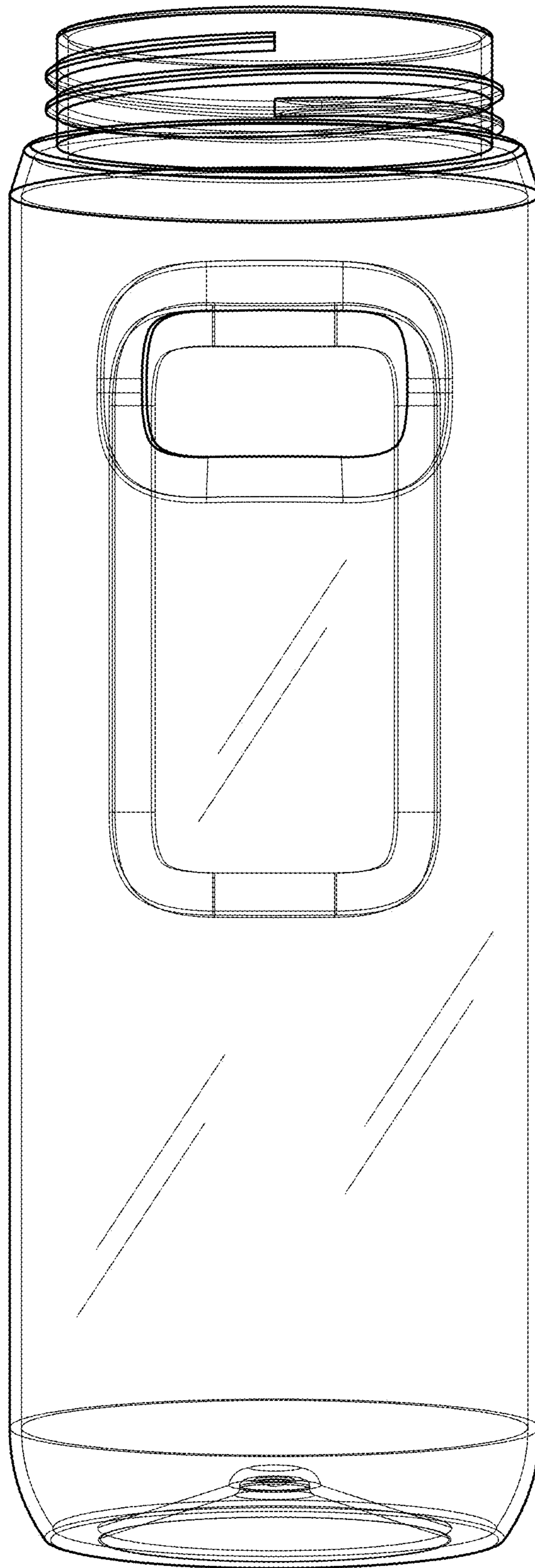


FIG. 3

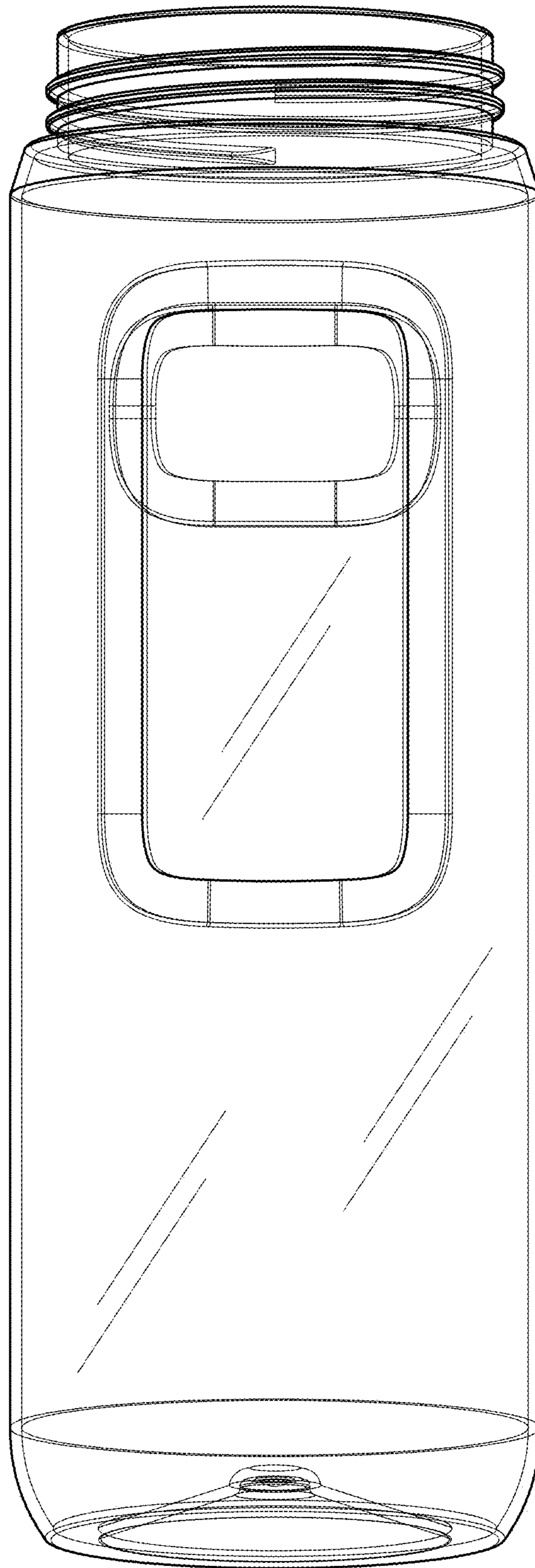


FIG. 4

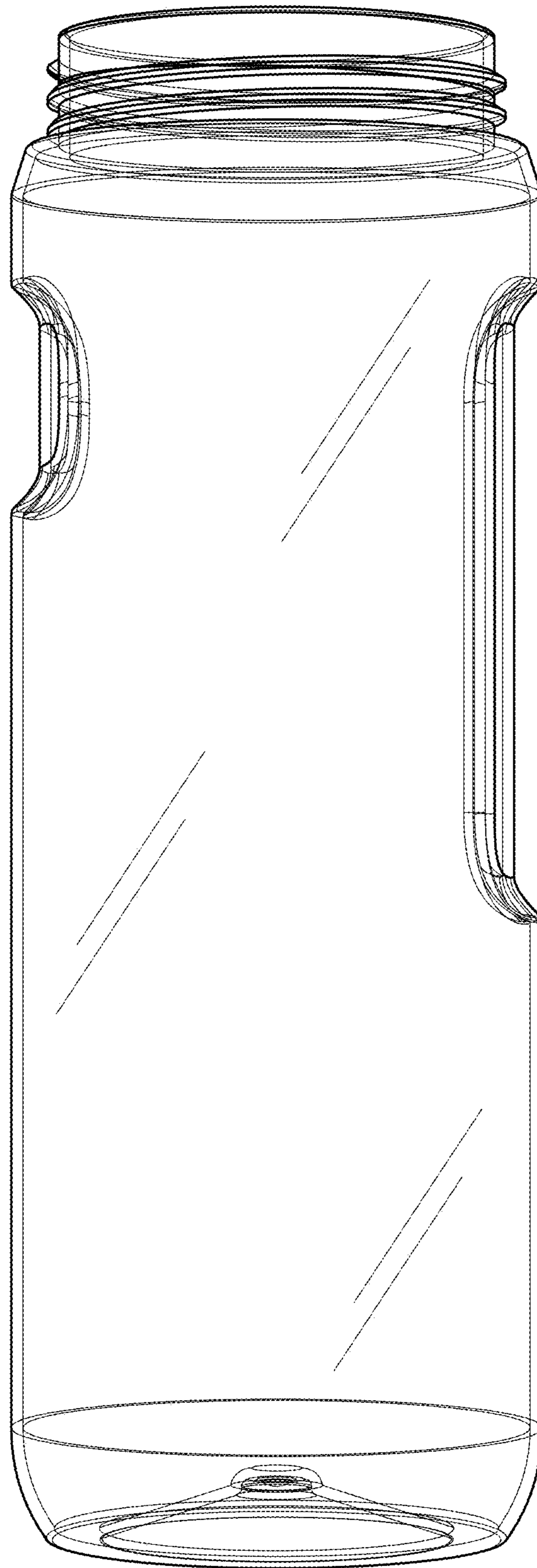


FIG. 5

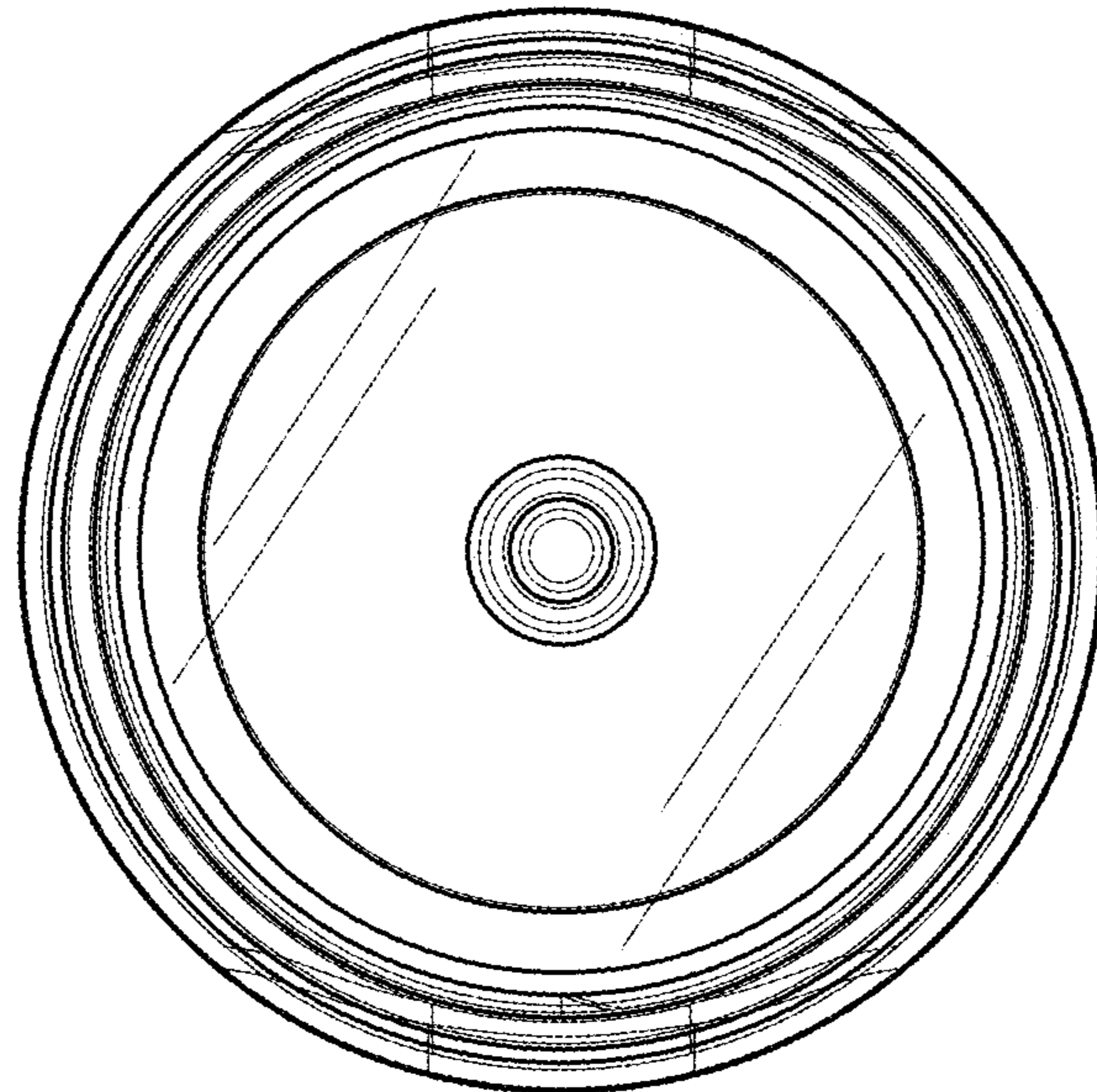


FIG. 6

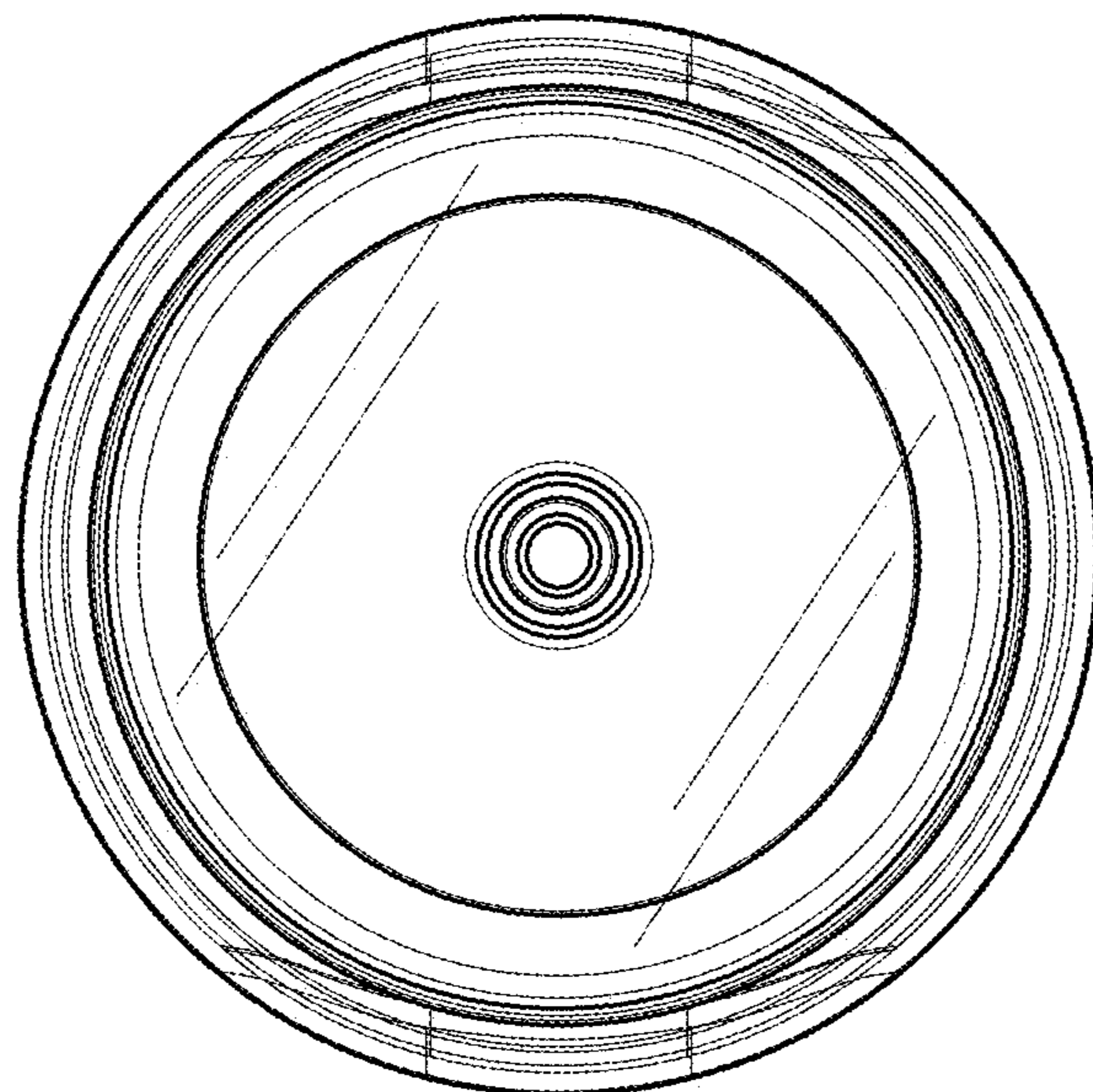


FIG. 7