

US00D879556S

(12) **United States Design Patent** (10) **Patent No.:** **US D879,556 S**
Sibbert (45) **Date of Patent:** **** Mar. 31, 2020**

- (54) **BEVERAGE BOTTLE**
- (71) Applicant: **SIGG Switzerland Bottles AG**,
Frauenfeld (CH)
- (72) Inventor: **Alexander Sibbert**, Schwerzenbach
(CH)
- (73) Assignee: **SIGG SWITZERLAND BOTTLES**
AG, Frauenfeld (CH)
- (**) Term: **15 Years**
- (21) Appl. No.: **29/658,847**
- (22) Filed: **Aug. 3, 2018**
- (30) **Foreign Application Priority Data**
Feb. 6, 2018 (WO) DM/099745
- (51) **LOC (12) Cl.** **07-01**
- (52) **U.S. Cl.**
USPC **D7/511**
- (58) **Field of Classification Search**
USPC D7/509, 510, 511, 605, 608, 300, 300.1,
D7/318, 319, 591, 392.1, 393, 394, 396.2;
D9/435, 447
CPC A47G 19/22; A47G 19/2205; A45F 3/16;
B65D 41/04; B65D 43/02; B65D 43/04;
A47J 43/27; A47J 41/02
See application file for complete search history.

- (56) **References Cited**
U.S. PATENT DOCUMENTS
D592,012 S * 5/2009 Carreno D7/510
D686,040 S * 7/2013 Lane D7/510
D696,073 S * 12/2013 Miller D7/396.2
8,844,762 B2 * 9/2014 Chiou B65D 43/02
220/715
D729,585 S * 5/2015 Boroski D7/511
D731,244 S * 6/2015 Kohl D7/510
D739,183 S * 9/2015 Lane D7/605

- 9,462,904 B2 * 10/2016 Coon A45F 3/18
- D804,904 S * 12/2017 Noveletsky D7/510
- D817,713 S * 5/2018 Lin D7/510
- D853,790 S * 7/2019 Palin D7/510
- D855,402 S * 8/2019 Steinmann D7/510
- 2018/0192800 A1 * 7/2018 Coon B65D 47/065
- 2019/0210773 A1 * 7/2019 Huang B65D 43/26

OTHER PUBLICATIONS

Sigg double walled mug posted at Boardsportsource.com, no posting date, © 2019 boardsportsource.com, [online], [site visited Aug. 13, 2019]. Available from Internet, URL:http://www.boardsportsource.com/gallery/outdoor-by-ispo-summer-2019-day-1-recap/sigg-double-walled-stainles-steel-gemstone-mug/ (Year: 2019).*

* cited by examiner

Primary Examiner — Derrick E Holland
Assistant Examiner — Andrew Kerr
(74) *Attorney, Agent, or Firm* — Pearne & Gordon LLP

(57) **CLAIM**

The ornamental design for a beverage bottle, as shown and described.

DESCRIPTION

FIG. 1 is a front view of a beverage bottle, showing my new design;
FIG. 2 is a back view thereof;
FIG. 3 is a right side view thereof;
FIG. 4 is a left side view thereof;
FIG. 5 is a top view thereof;
FIG. 6 is a front top perspective view thereof;
FIG. 7 is a back top perspective view thereof;
FIG. 8 is a bottom view thereof;
FIG. 9 is a front bottom perspective view thereof; and,
FIG. 10 is a back bottom perspective view thereof.
The broken lines in the drawing view depict portions of the beverage bottle that form no part of the claimed design.

1 Claim, 10 Drawing Sheets

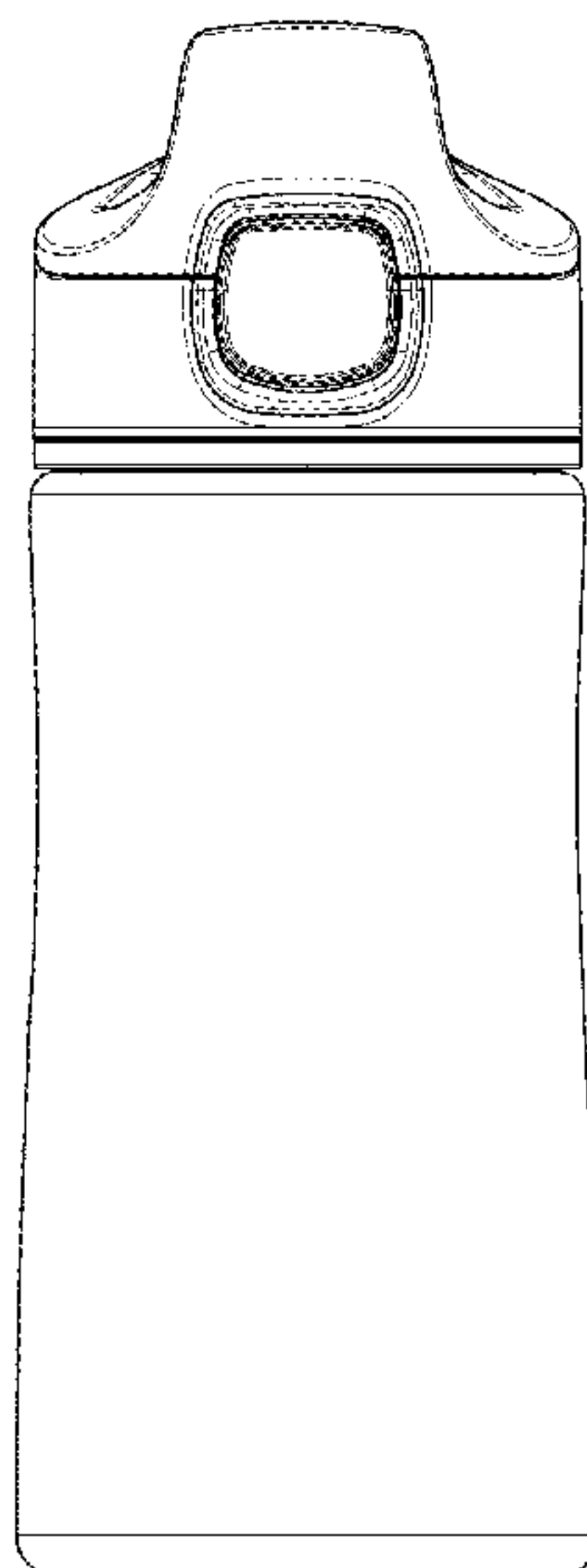


FIG. 1

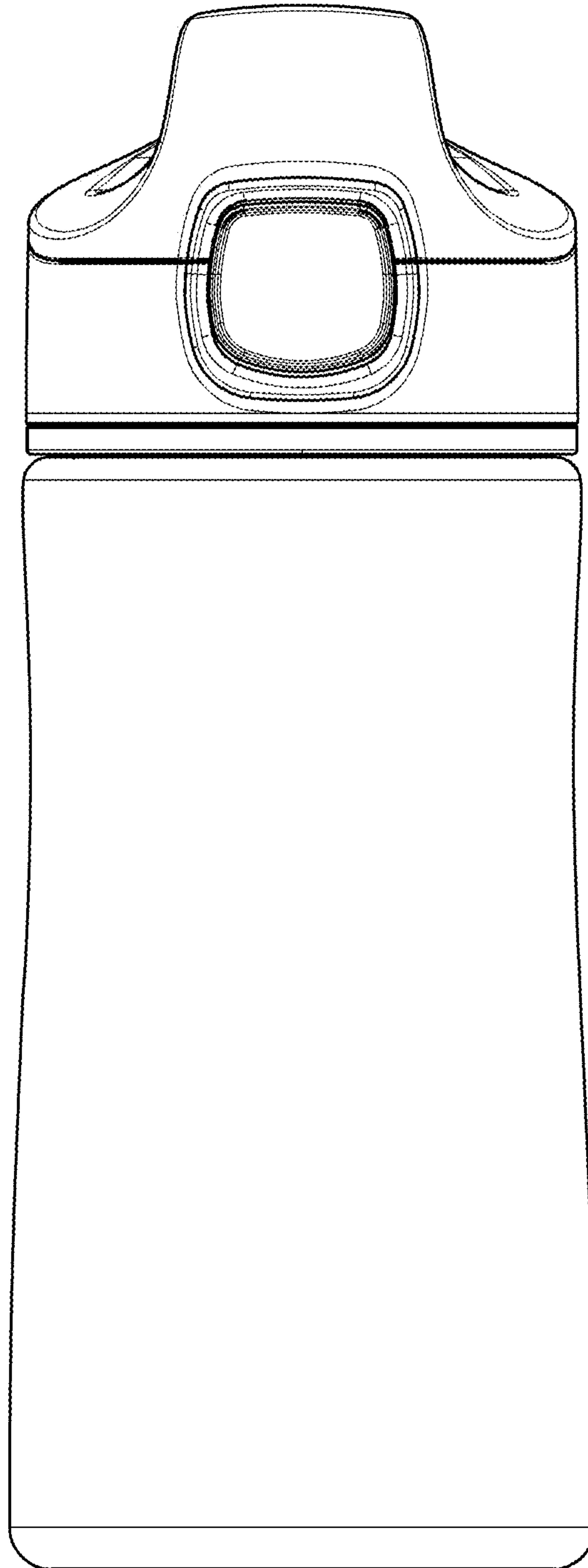


FIG. 2

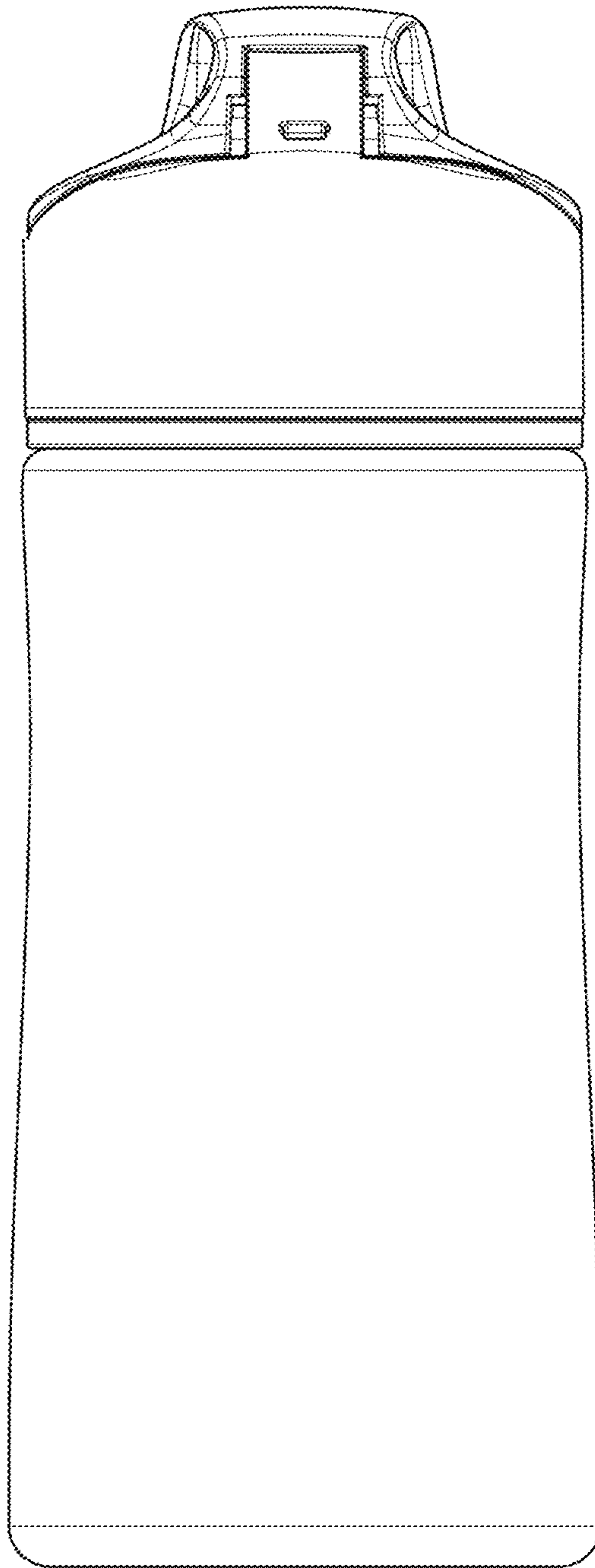


FIG. 3

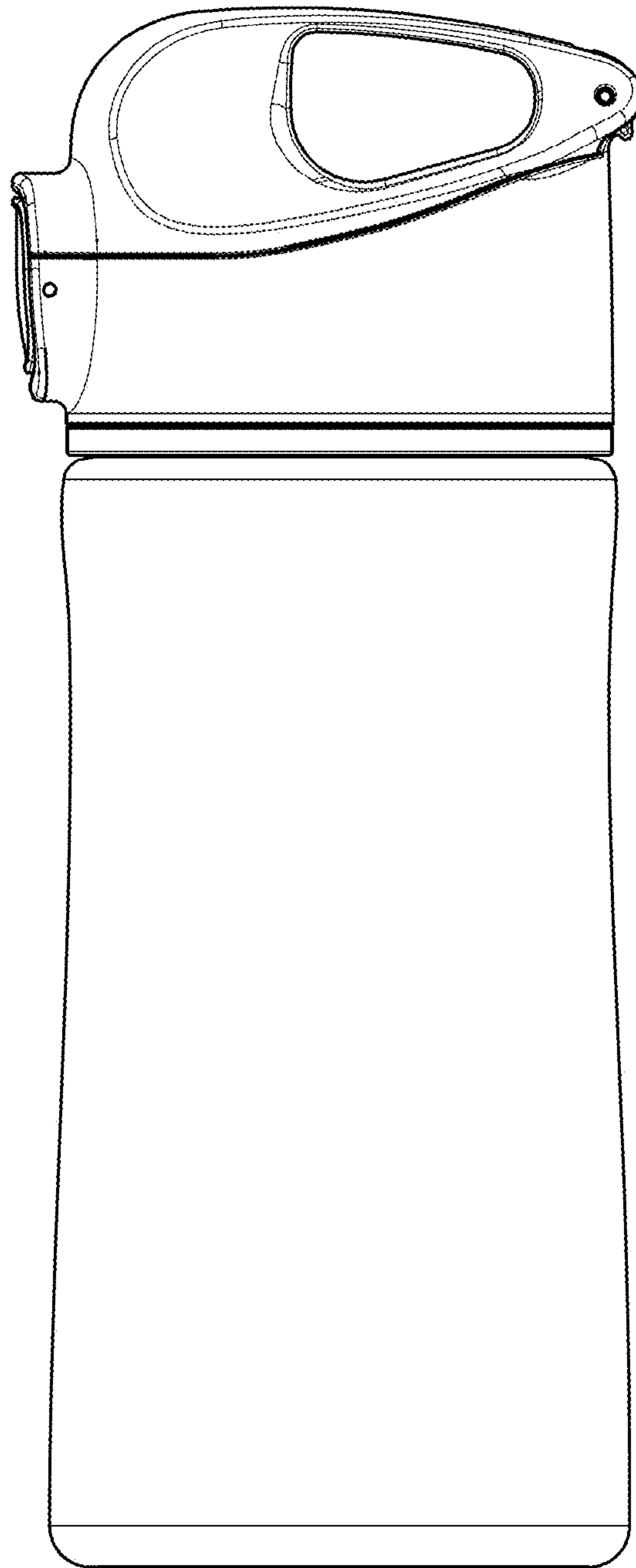


FIG. 4

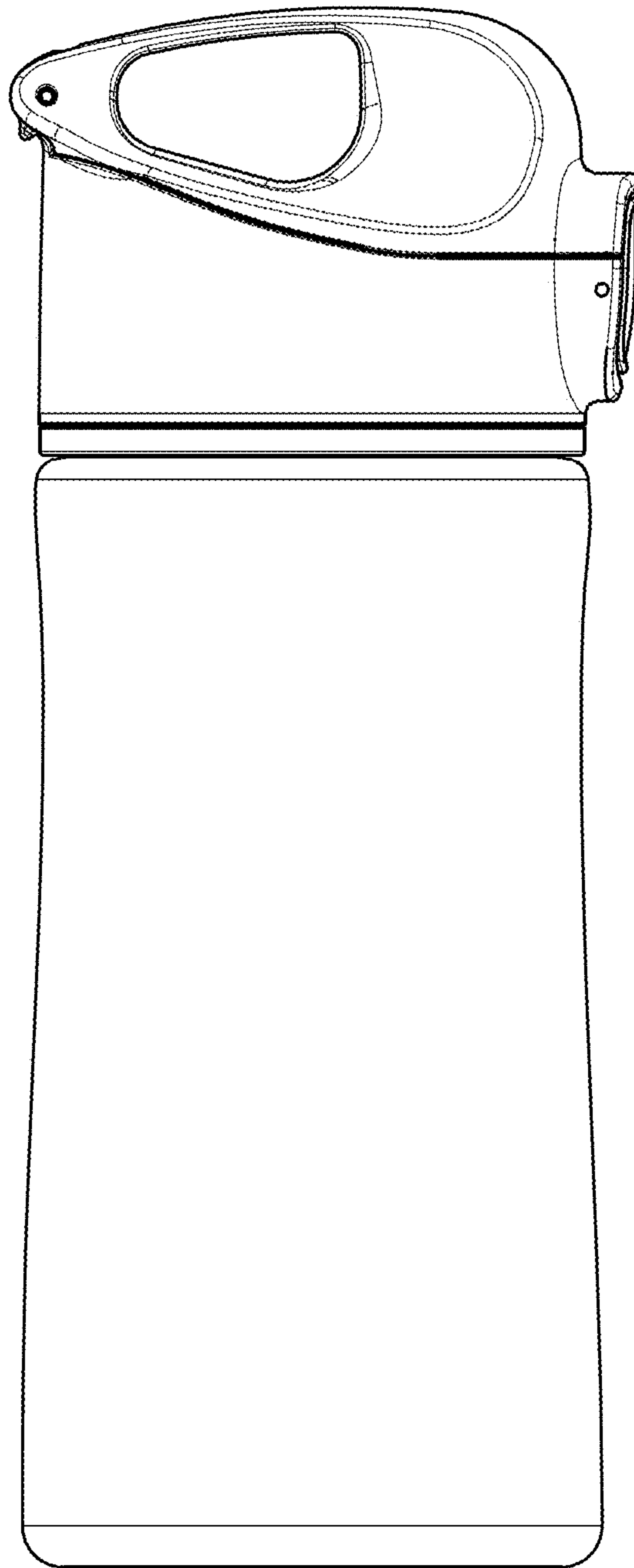


FIG. 5

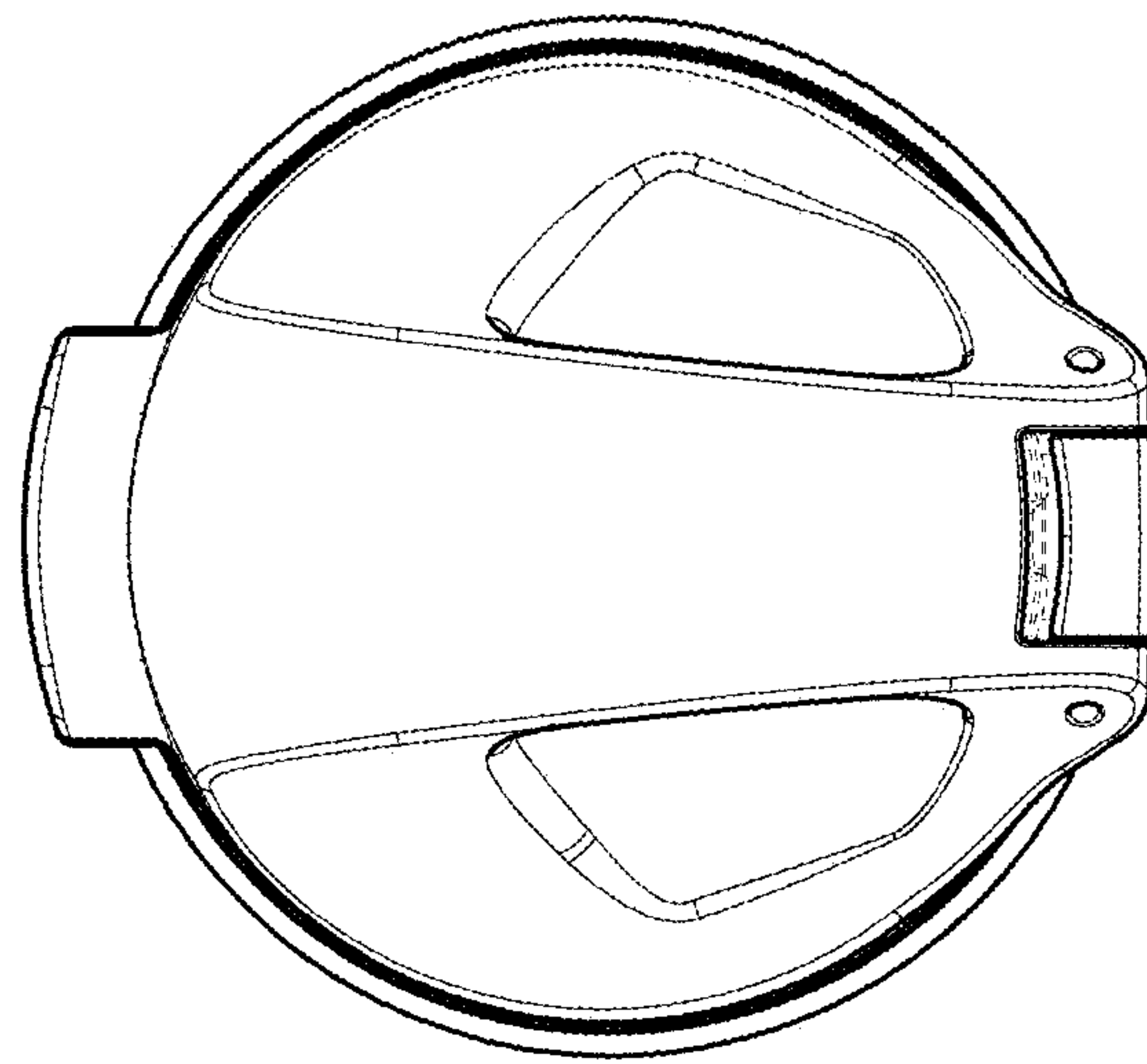


FIG. 6

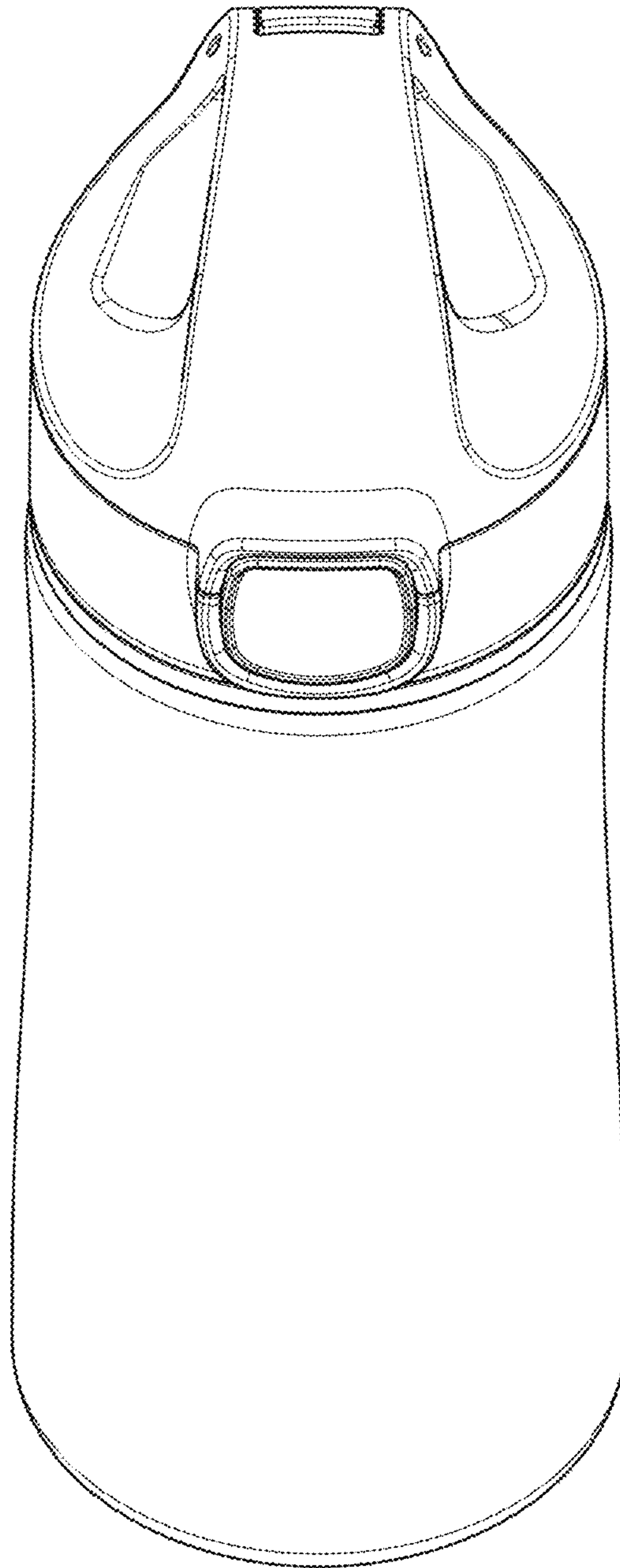


FIG. 7

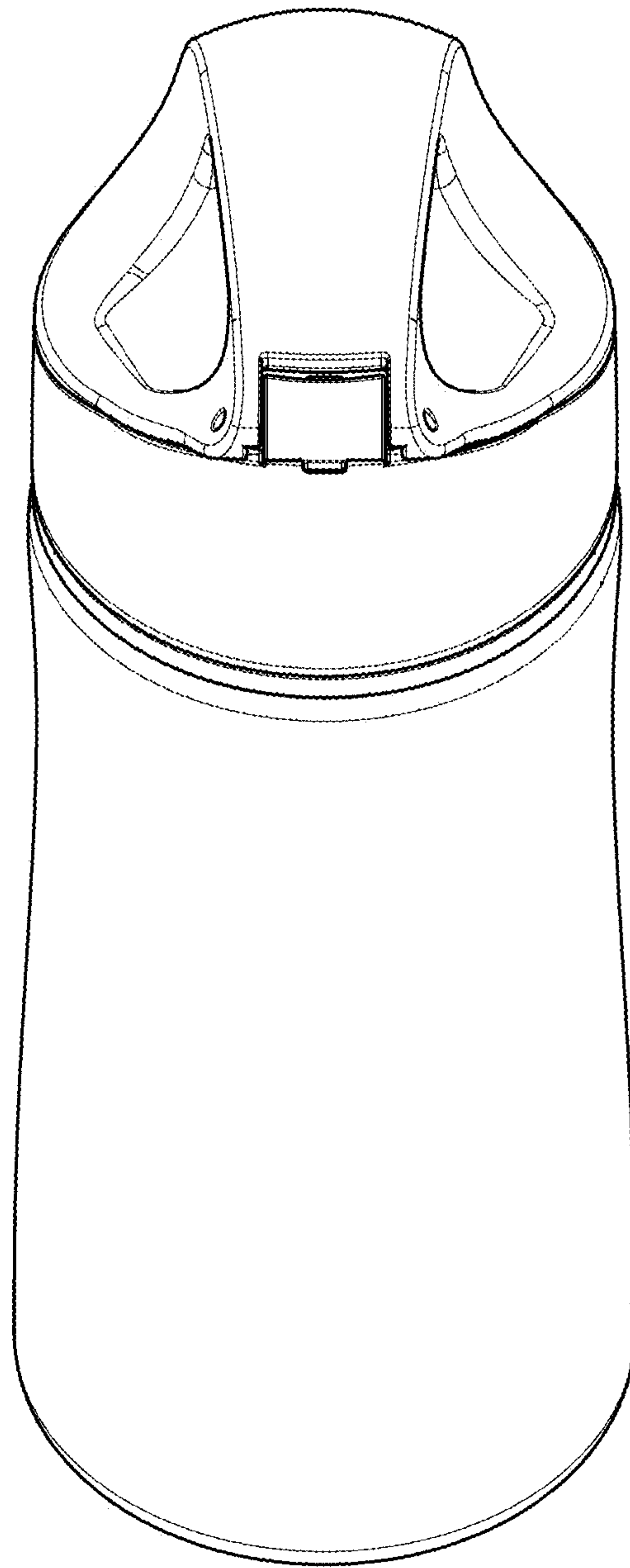


FIG. 8

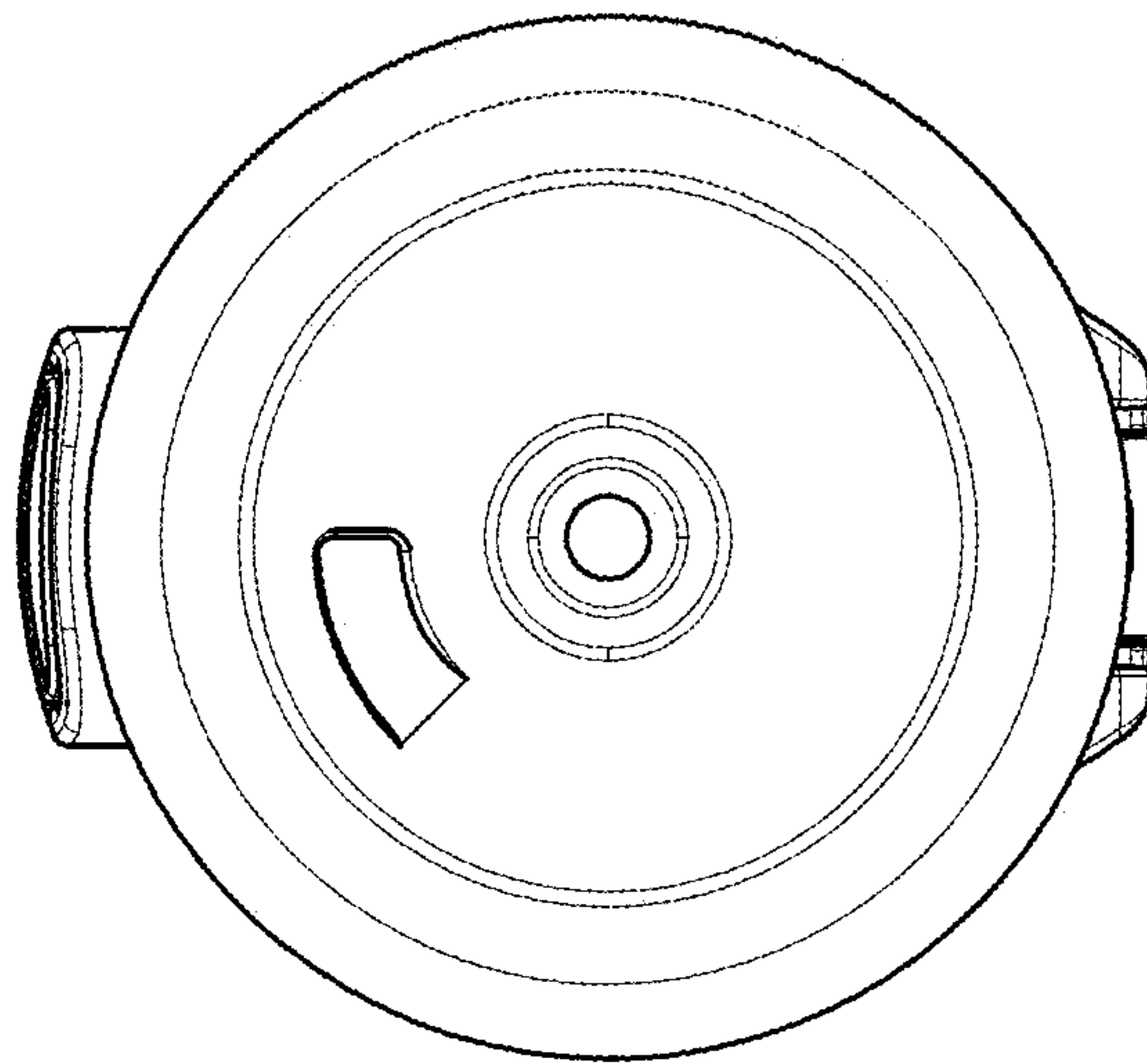


FIG. 9

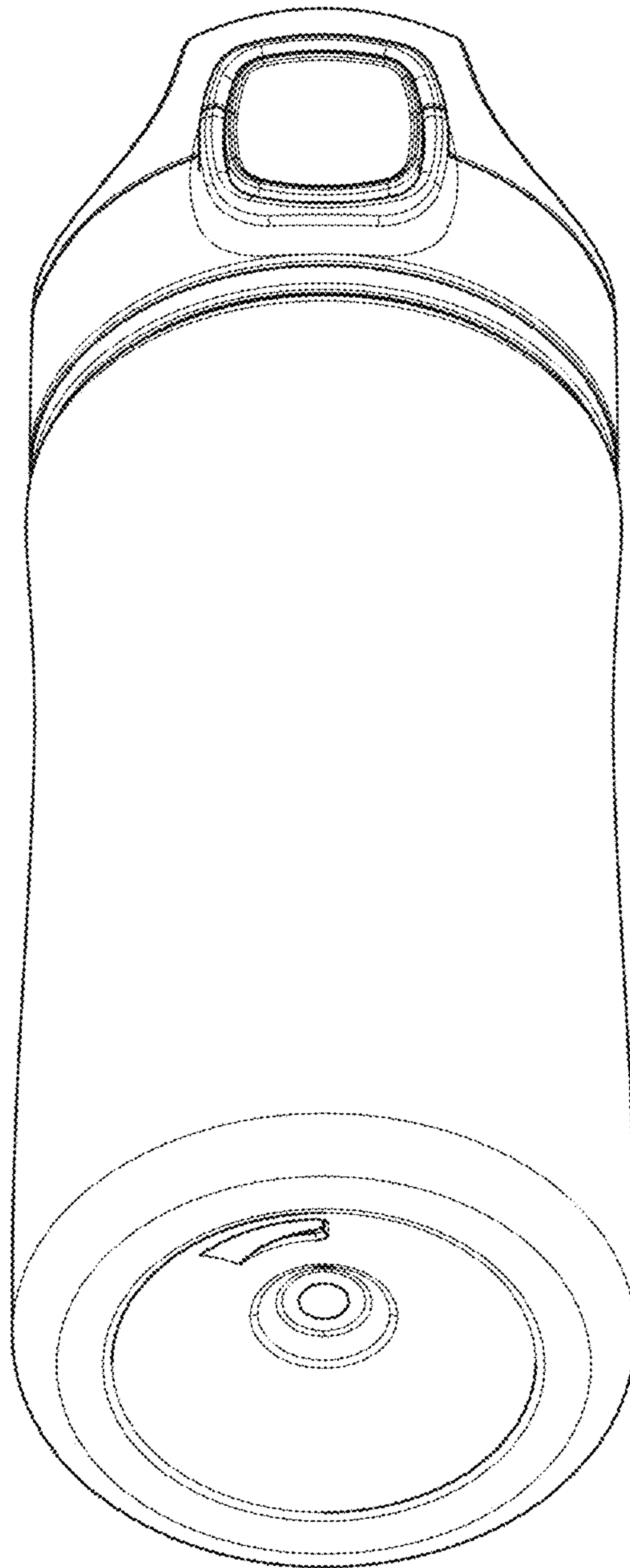


FIG. 10

