



US00D87955S

(12) **United States Design Patent**
Wang

(10) **Patent No.:** **US D879,555 S**
(45) **Date of Patent:** **** Mar. 31, 2020**

(54) **WATER BOTTLE**

(71) Applicant: **Qi Wang**, Jiangxi (CN)

(72) Inventor: **Qi Wang**, Jiangxi (CN)

(73) Assignee: **SHEN ZHEN QUICK FIT PLASTIC CO., LTD**, Shenzhen (CN)

(**) Term: **15 Years**

(21) Appl. No.: **29/668,322**

(22) Filed: **Oct. 30, 2018**

(51) **LOC (12) Cl.** **07-01**

(52) **U.S. Cl.**
USPC **D7/510; D7/529; D7/532; D7/536**

(58) **Field of Classification Search**
USPC **D7/507, 509, 510, 511, 529, 530, 531, D7/532, 523, 534, 536, 608, 392.1, 396.2; D9/500, 501, 502, 503, 504**
CPC **A47G 19/22; A47G 19/2288; A47G 19/2205; A47G 19/2222; A47G 19/2233; A47G 19/2266; B65D 47/066**
See application file for complete search history.

(56) **References Cited**

U.S. PATENT DOCUMENTS

D539,607 S *	4/2007	Lapsker	D7/510
D596,459 S	7/2009	Ghiassi		
D659,473 S	5/2012	Ghiassi		
D665,227 S	8/2012	Cason		
8,297,462 B1 *	10/2012	Joyce	A45F 3/18 215/396
D718,572 S	12/2014	Sturgess		
D724,384 S *	3/2015	Donovan	D7/510
D725,967 S *	4/2015	Peng	D7/511

D730,123 S *	5/2015	He	D7/511
D766,090 S *	9/2016	Boroski	D7/509
D767,337 S *	9/2016	Boroski	D7/510
D779,885 S	2/2017	Crowder et al.		
D781,654 S *	3/2017	Marquard	D7/510
D786,018 S *	5/2017	Willows	D7/509
D799,320 S *	10/2017	Goodwin	D7/392.1
D810,500 S *	2/2018	Maple	D7/392.1
D830,771 S *	10/2018	Lin	D7/510
D830,772 S *	10/2018	Rosette	D7/510
D844,376 S *	4/2019	Rosette	D7/392
D850,207 S *	6/2019	Peng	D7/510
D857,455 S *	8/2019	Plott	D7/507
D860,800 S *	9/2019	Hao	D9/540
2007/0039959 A1 *	2/2007	Choi	A47G 19/2266 220/212.5

* cited by examiner

Primary Examiner — Jae Liang

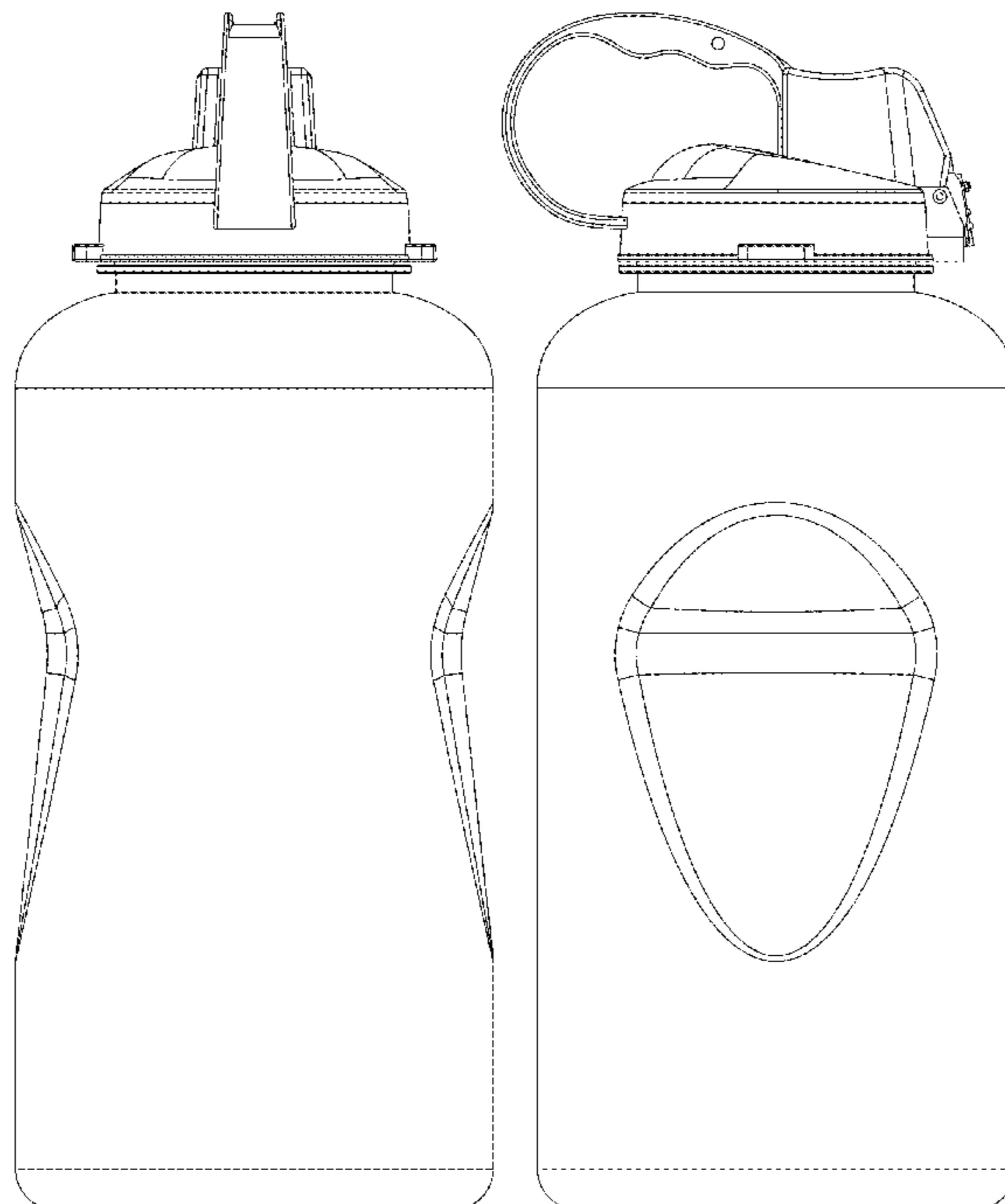
(57) **CLAIM**

The ornamental design for a water bottle, as shown and described.

DESCRIPTION

FIG. 1 is a perspective view of a water bottle showing my new design;
FIG. 2 is a front elevational view thereof;
FIG. 3 is a rear elevational view thereof;
FIG. 4 is a left side elevational view thereof;
FIG. 5 is right side elevational view thereof;
FIG. 6 is a top plan view thereof;
FIG. 7 is a bottom plan view thereof; and,
FIG. 8 is a perspective view of the water bottle where the water bottle is in a configuration of use.
The broken lines in the drawings depict portions of the water bottle that form no part of the claimed design.

1 Claim, 8 Drawing Sheets



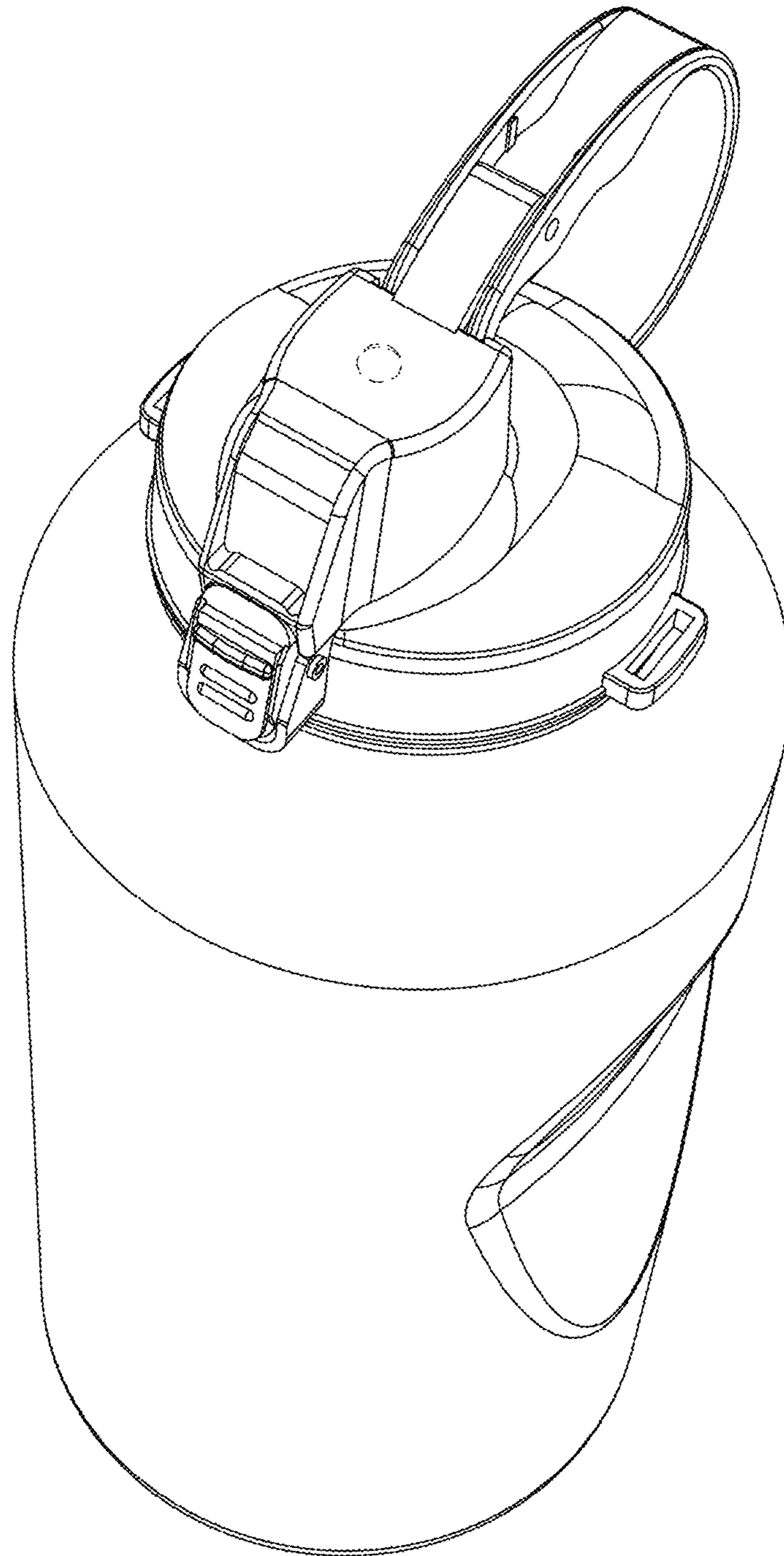


FIG. 1

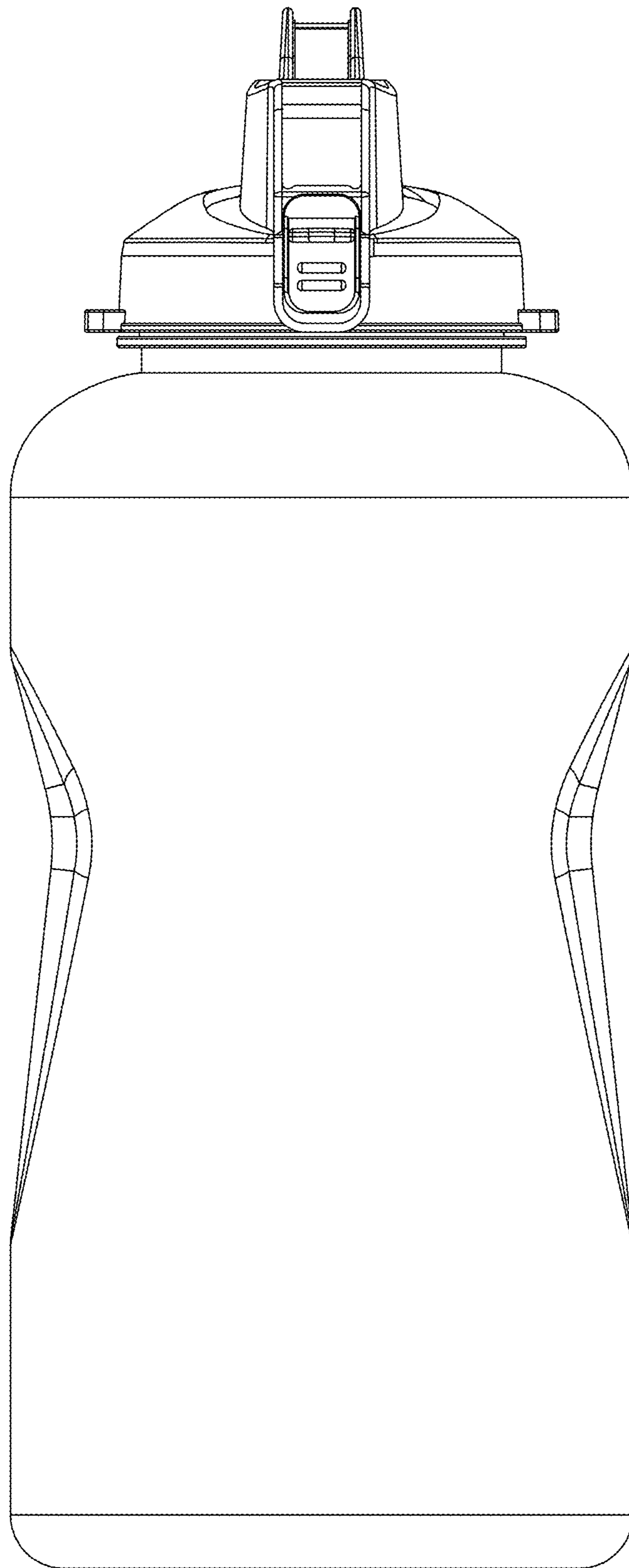


FIG. 2

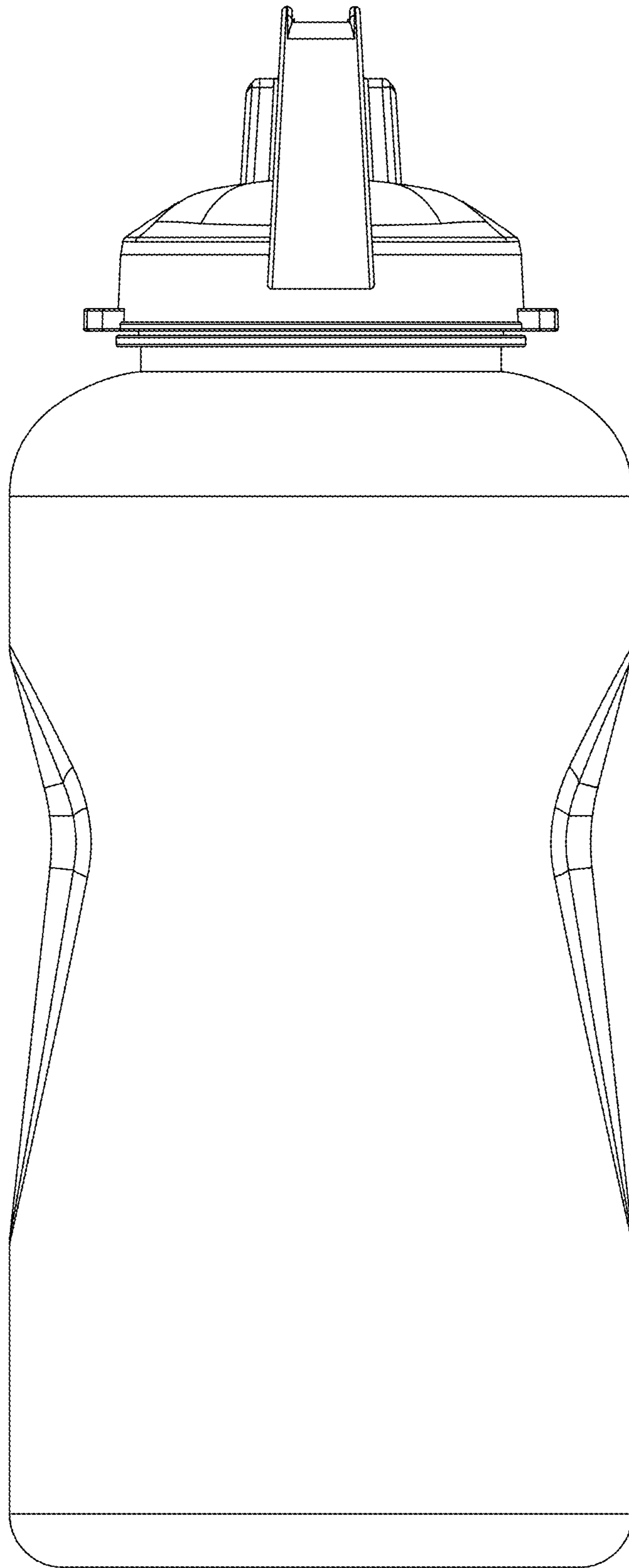


FIG. 3

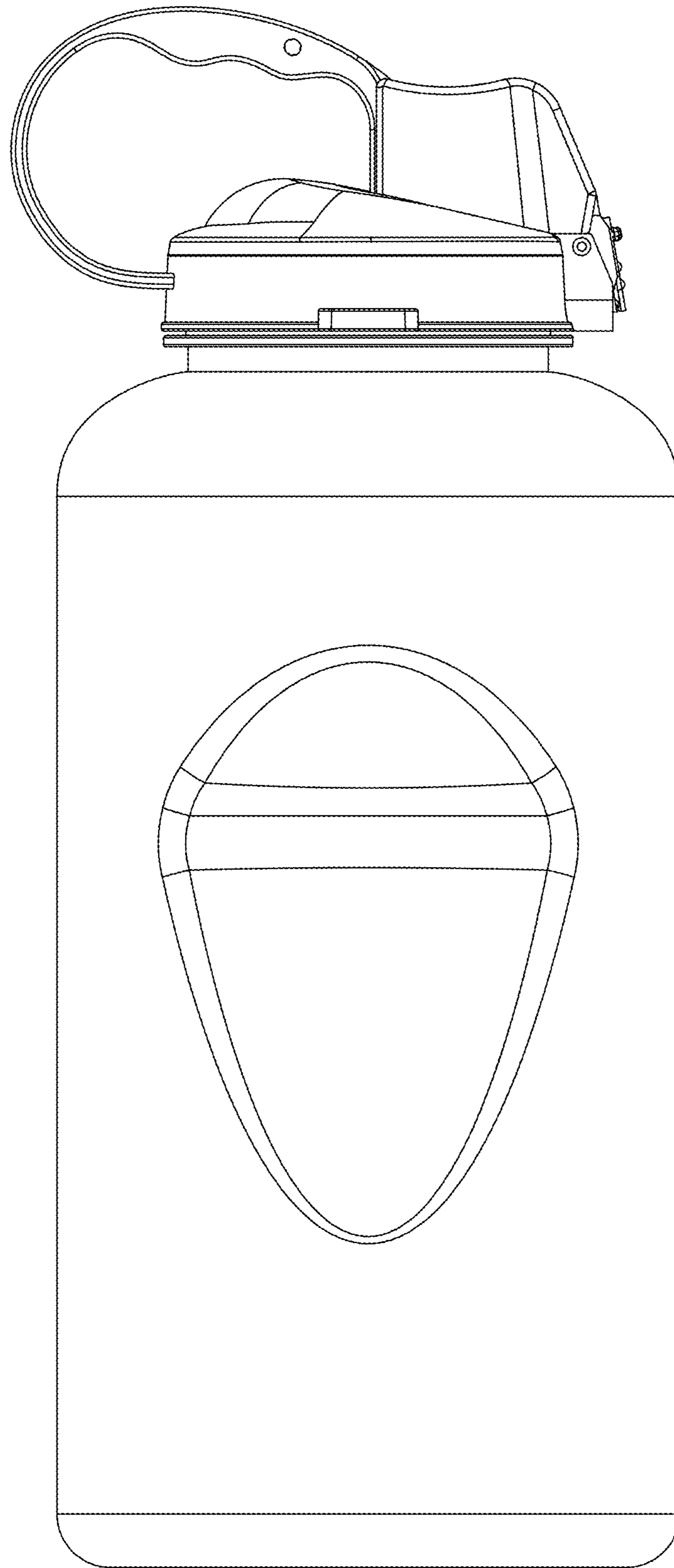


FIG. 4

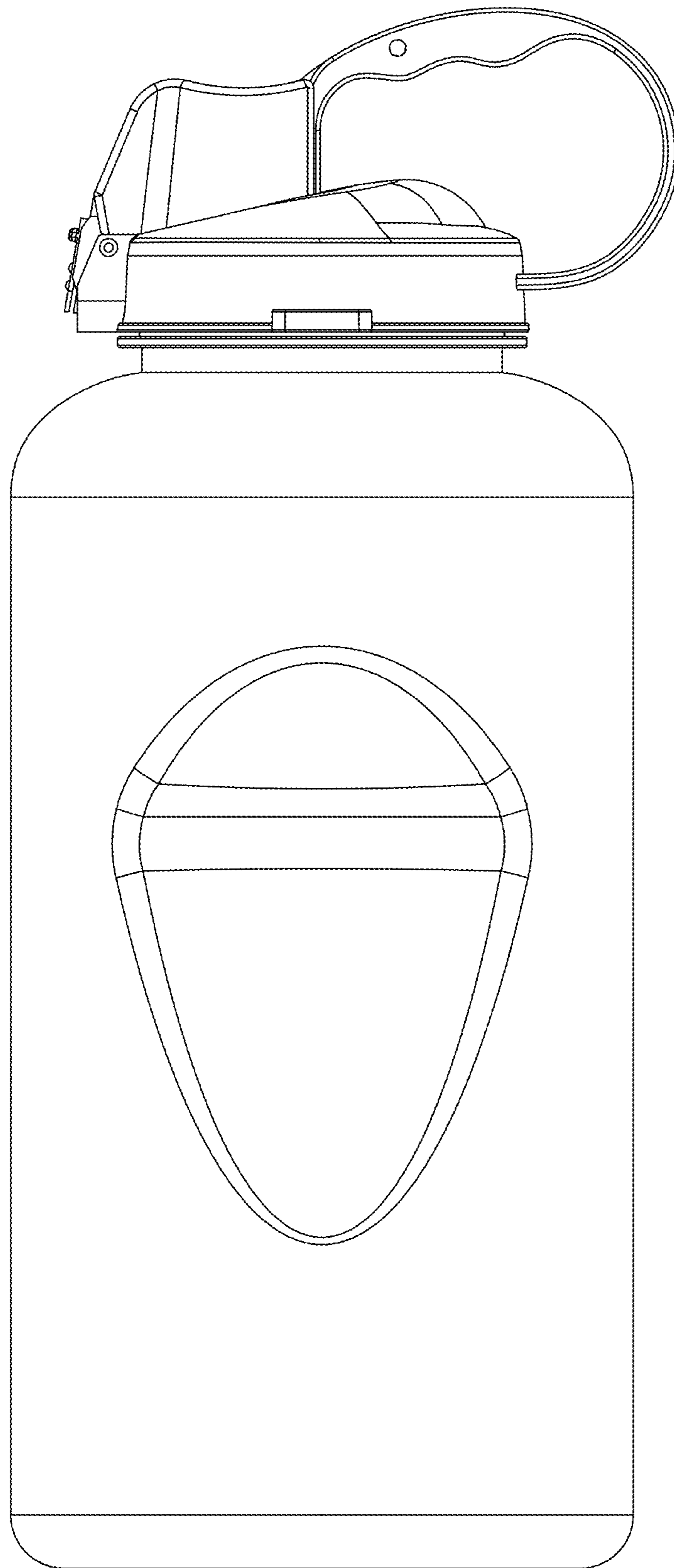


FIG. 5

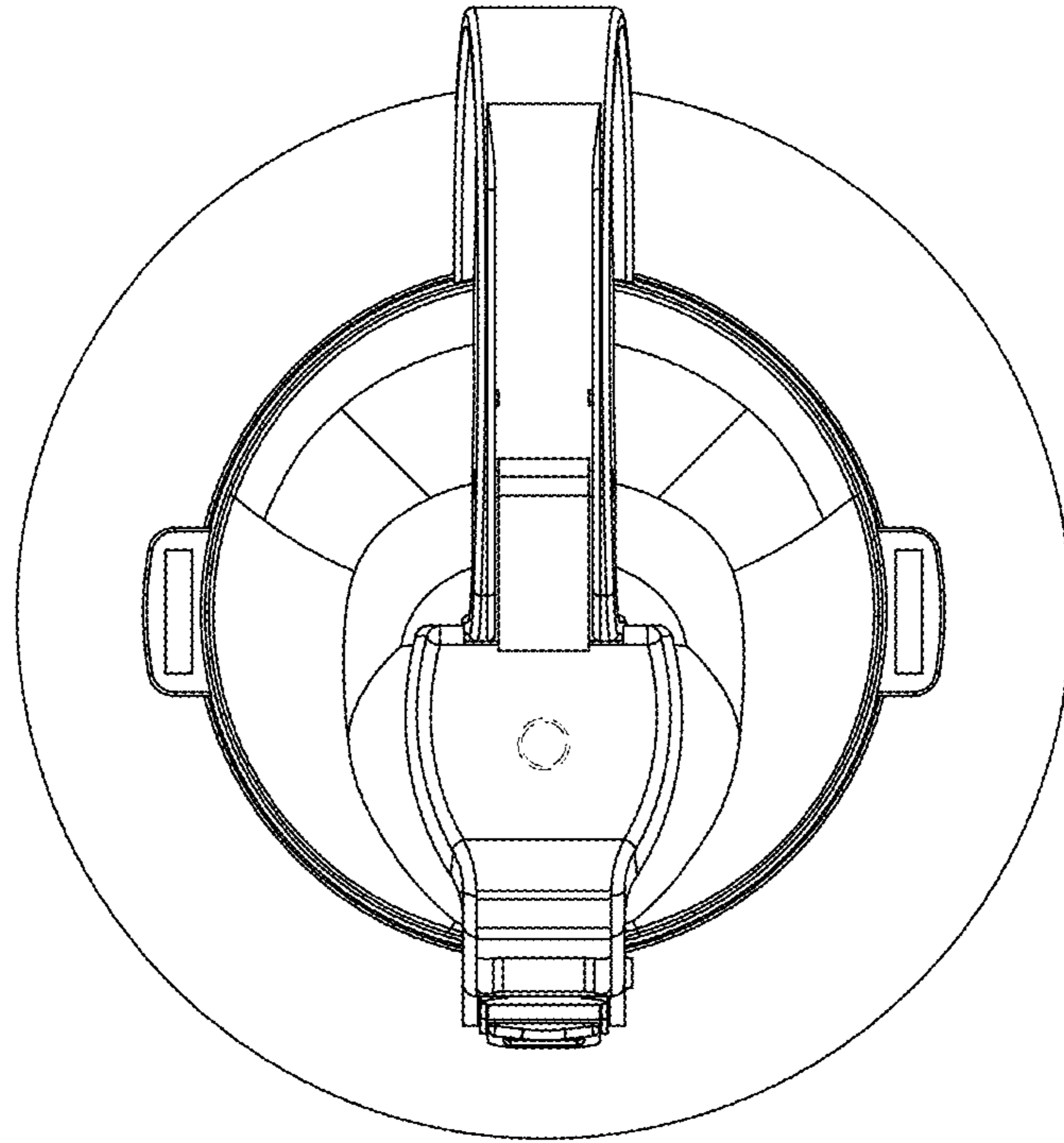


FIG. 6

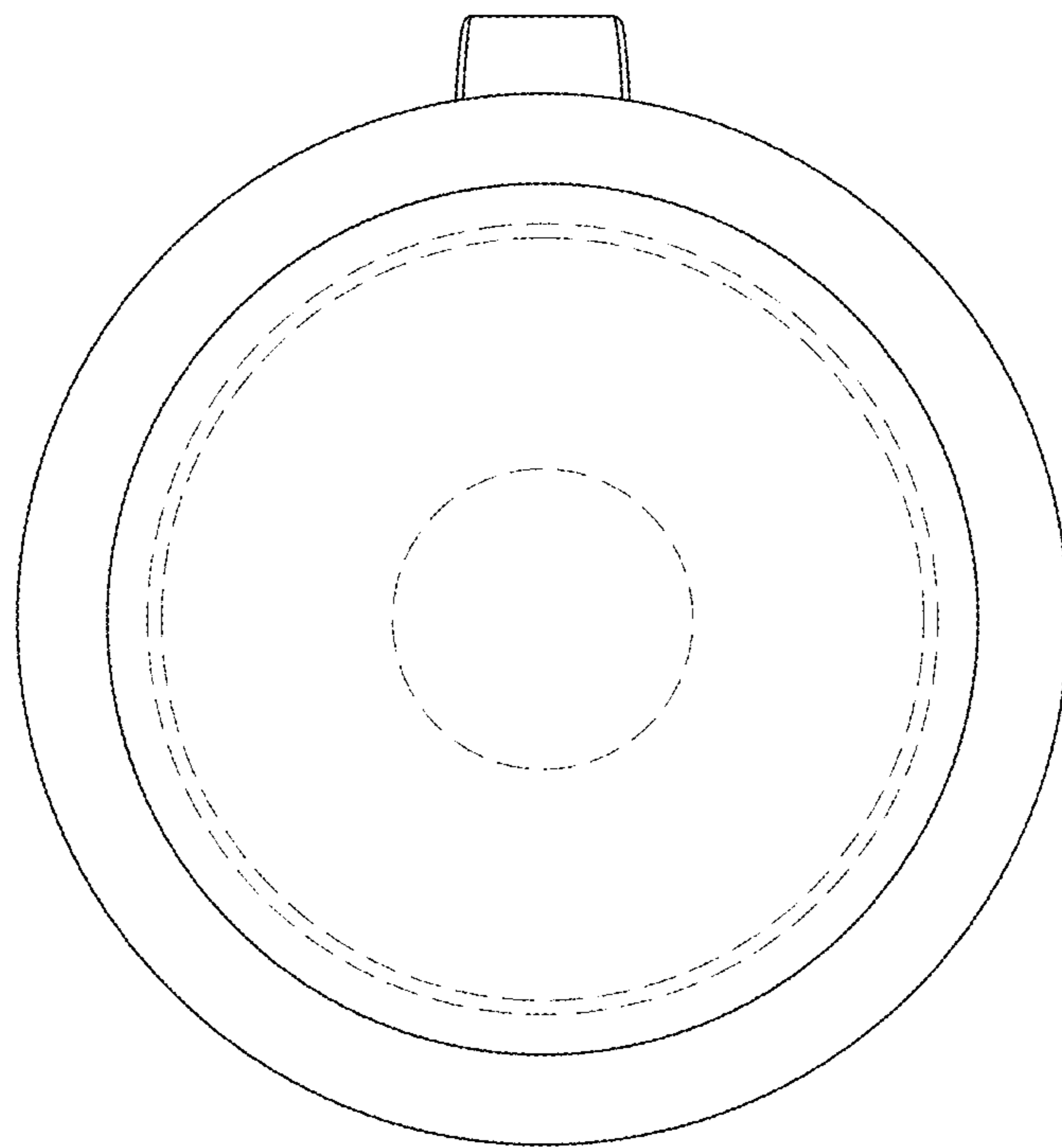


FIG. 7

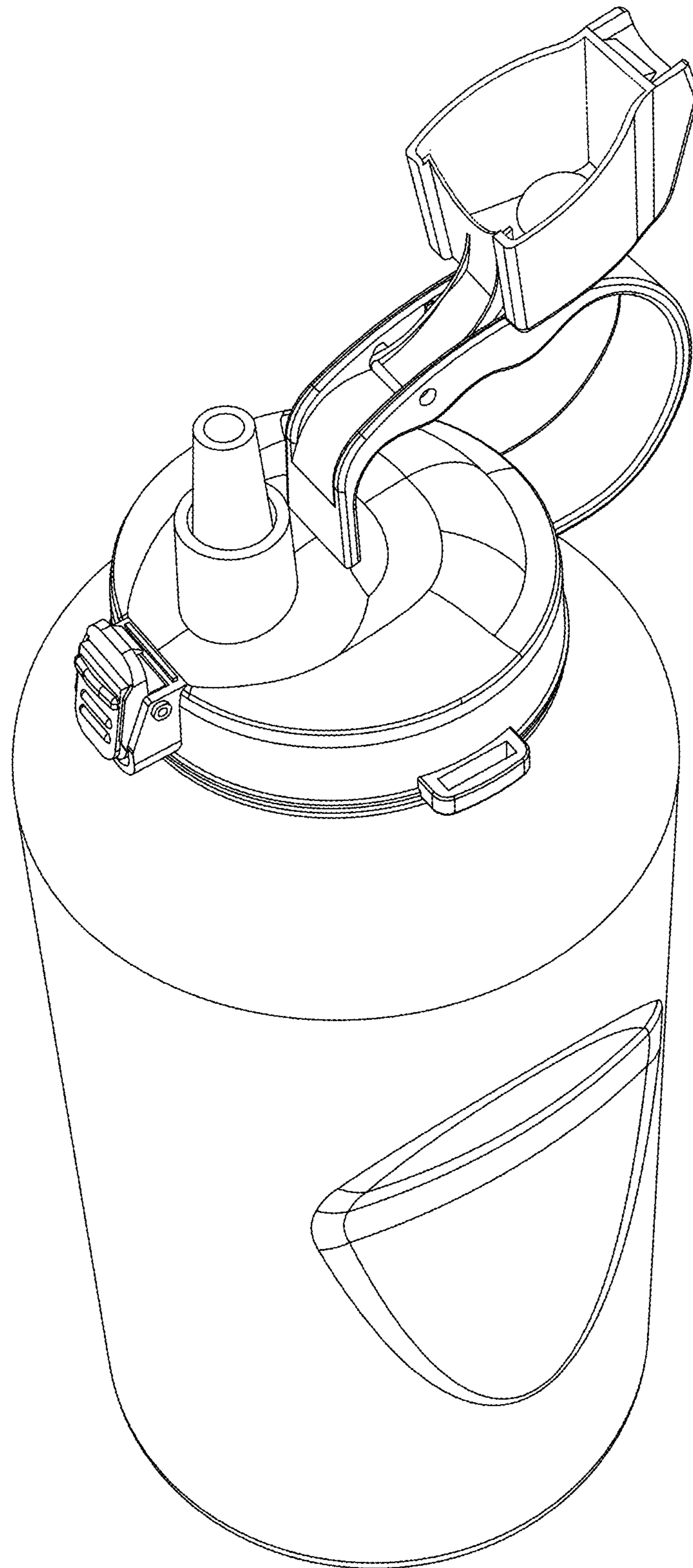


FIG. 8