



US00D879553S

(12) **United States Design Patent**  
**Exley**

(10) **Patent No.:** **US D879,553 S**  
(45) **Date of Patent:** **\*\* Mar. 31, 2020**

- (54) **BLADE CARTRIDGE**
- (71) Applicant: **Ontel Products Corporation**, Fairfield, NJ (US)
- (72) Inventor: **Ross Exley**, Morristown, NJ (US)
- (73) Assignee: **Ontel Products Corporation**, Fairfield, NJ (US)
- (\*\*) Term: **15 Years**
- (21) Appl. No.: **29/667,409**
- (22) Filed: **Oct. 22, 2018**

5,058,261 A	10/1991	Kitamura	
5,927,701 A	7/1999	Chapman	
D414,983 S *	10/1999	Wong	D7/381
6,053,098 A *	4/2000	Yamamoto	B26D 3/11 83/425.1
6,253,670 B1	7/2001	Gingras	
6,854,383 B2	2/2005	Wang	
D747,916 S *	1/2016	Wong	D7/381
D770,224 S *	11/2016	Exley	D7/412
D786,631 S *	5/2017	Kim	D7/693
D796,917 S *	9/2017	Wong	D7/381

(Continued)

**FOREIGN PATENT DOCUMENTS**

CN	202723661 U	2/2013
CN	202862268 U	4/2013

(Continued)

*Primary Examiner* — Ricky Pham

(74) *Attorney, Agent, or Firm* — John S. Artz; Dickinson Wright PLLC

**Related U.S. Application Data**

- (62) Division of application No. 15/053,857, filed on Feb. 25, 2016, now abandoned.
- (51) **LOC (12) Cl.** ..... **31-00**
- (52) **U.S. Cl.**  
USPC ..... **D7/412; D7/381**
- (58) **Field of Classification Search**  
USPC ..... D7/372, 376–386, 412–413, 602, 629, D7/665–666, 669, 673, 678–679, 693–694  
CPC .... A21C 1/02; A21C 1/04; A23N 1/00; A23N 1/02; A23N 7/026; A47J 43/04; A47J 43/25; A47J 43/27; A47J 43/042; A47J 43/044; A47J 43/046; A47J 43/075; A47J 43/0722; A47J 43/0727; B01F 3/00; B01F 3/0807; B01F 3/0853; B01F 13/0059; B01F 13/0064; B02C 1/08; B02C 2/04; B02C 4/42; B02C 4/142; B02C 4/143; B02C 4/423; B02C 13/1835; B26D 1/03; B26D 3/11; B28C 5/10; B28C 5/12; B28C 5/14; B28C 5/16  
See application file for complete search history.

(57) **CLAIM**

The ornamental design for a blade cartridge, substantially as shown as described.

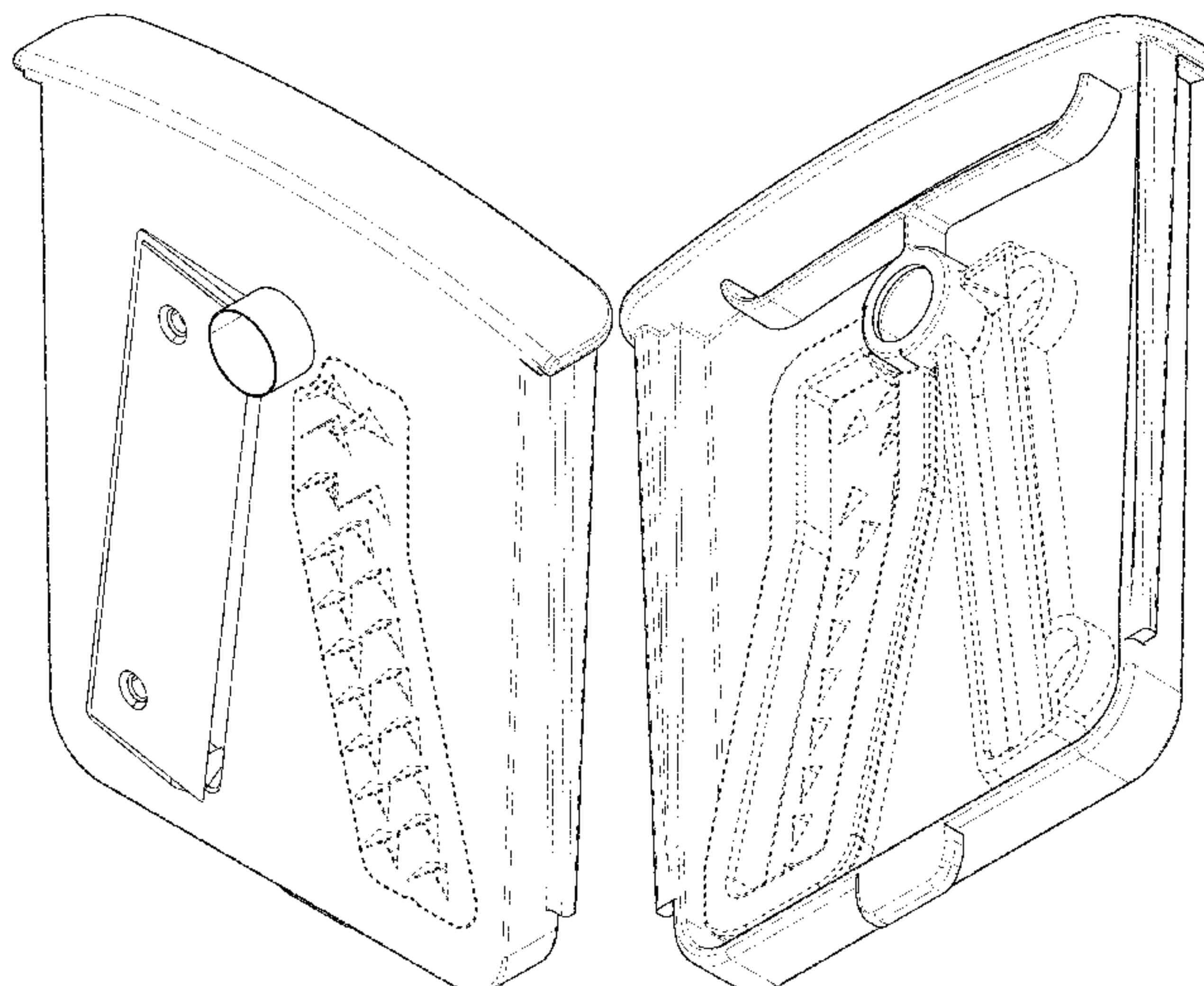
**DESCRIPTION**

FIG. 1 is a front isometric view of my design;  
 FIG. 2 is a rear isometric view of my design;  
 FIG. 3 is a front view of my design;  
 FIG. 4 is a rear view of my design;  
 FIG. 5 is a right side view of my design;  
 FIG. 6 is a left side view of my design;  
 FIG. 7 is a top view of my design; and,  
 FIG. 8 is a bottom view of my design.  
 The broken lines shown in the drawings are included for the purpose of illustrating an environmental structure and form no part of the claimed design.

(56) **References Cited**  
**U.S. PATENT DOCUMENTS**

1,364,552 A	1/1921	Hill, Jr.	
D254,590 S *	4/1980	Doyel	83/733

**1 Claim, 6 Drawing Sheets**



(56)

**References Cited**

U.S. PATENT DOCUMENTS

D809,881 S \* 2/2018 Exley ..... D7/693  
D830,140 S \* 10/2018 Chen ..... D7/693  
D858,223 S \* 9/2019 Feng ..... D7/693  
2005/0098010 A1 5/2005 Hu  
2016/0250768 A1\* 9/2016 Levine ..... B26D 3/11  
83/52  
2016/0257012 A1 9/2016 Wong  
2016/0257013 A1\* 9/2016 Exley ..... B26D 3/11  
2017/0136644 A1\* 5/2017 Bagley ..... B26D 1/03

FOREIGN PATENT DOCUMENTS

HK 1195706 A2 11/2014  
WO 2016101415 A1 6/2016

\* cited by examiner

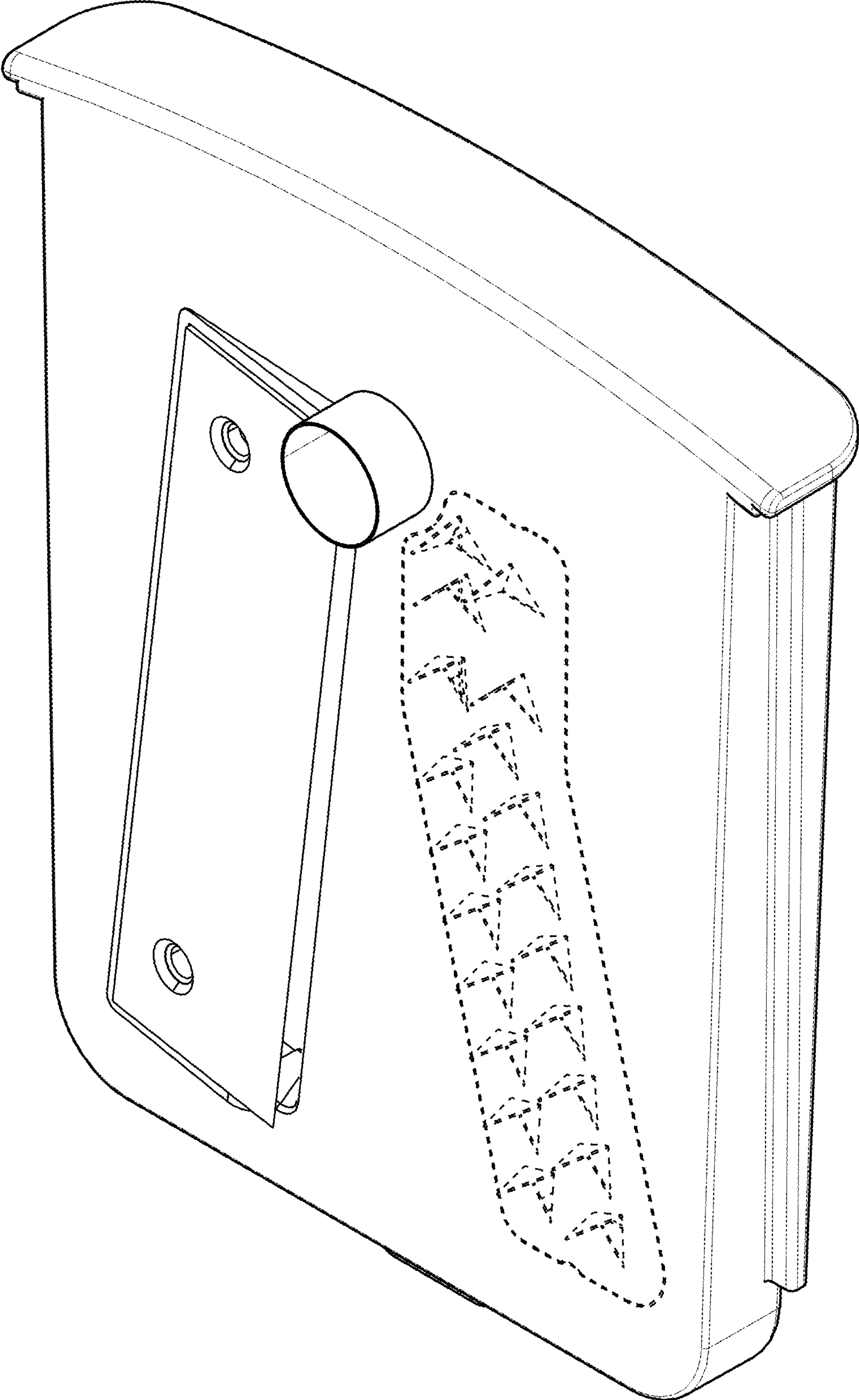


FIG. 1

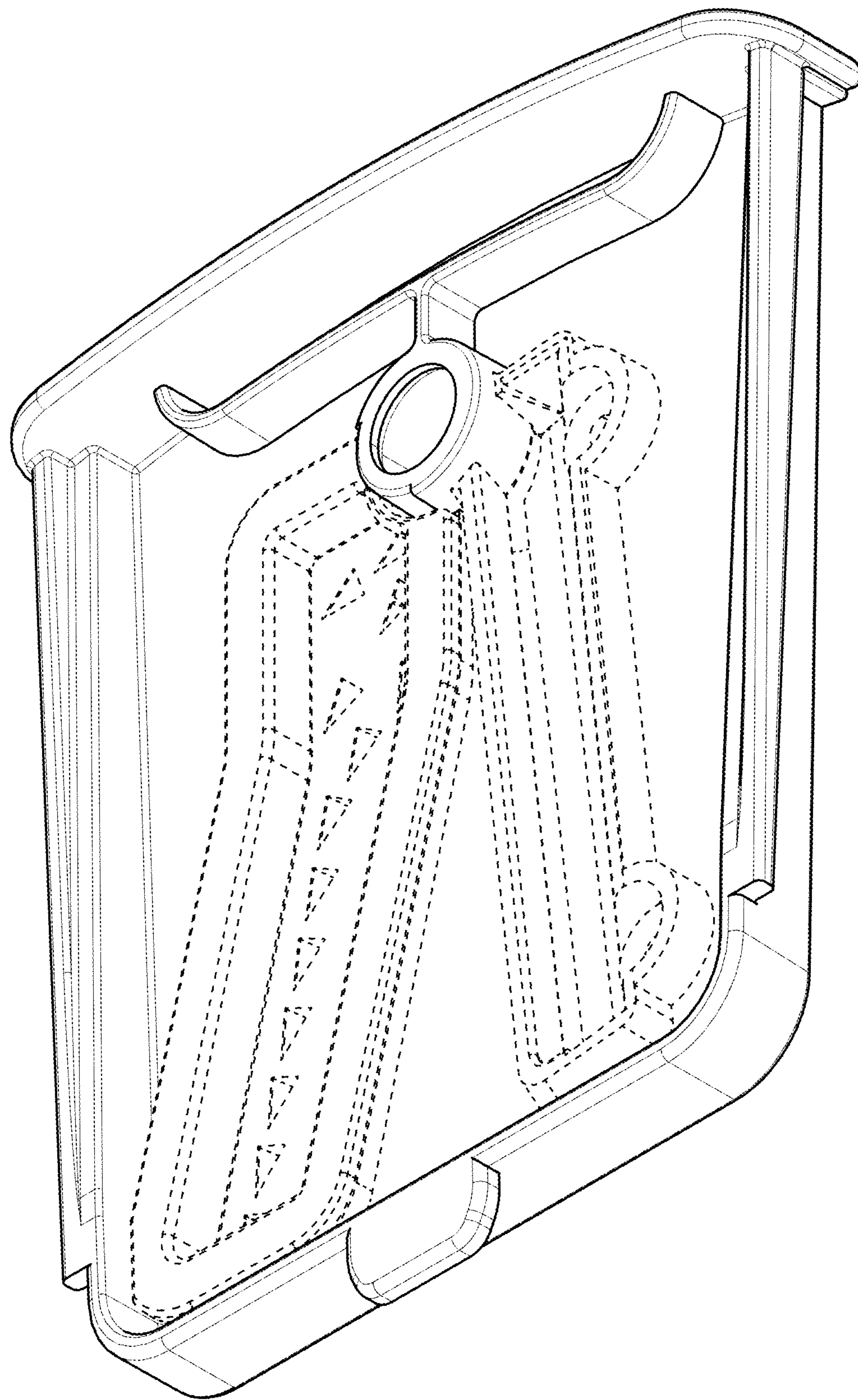


FIG. 2



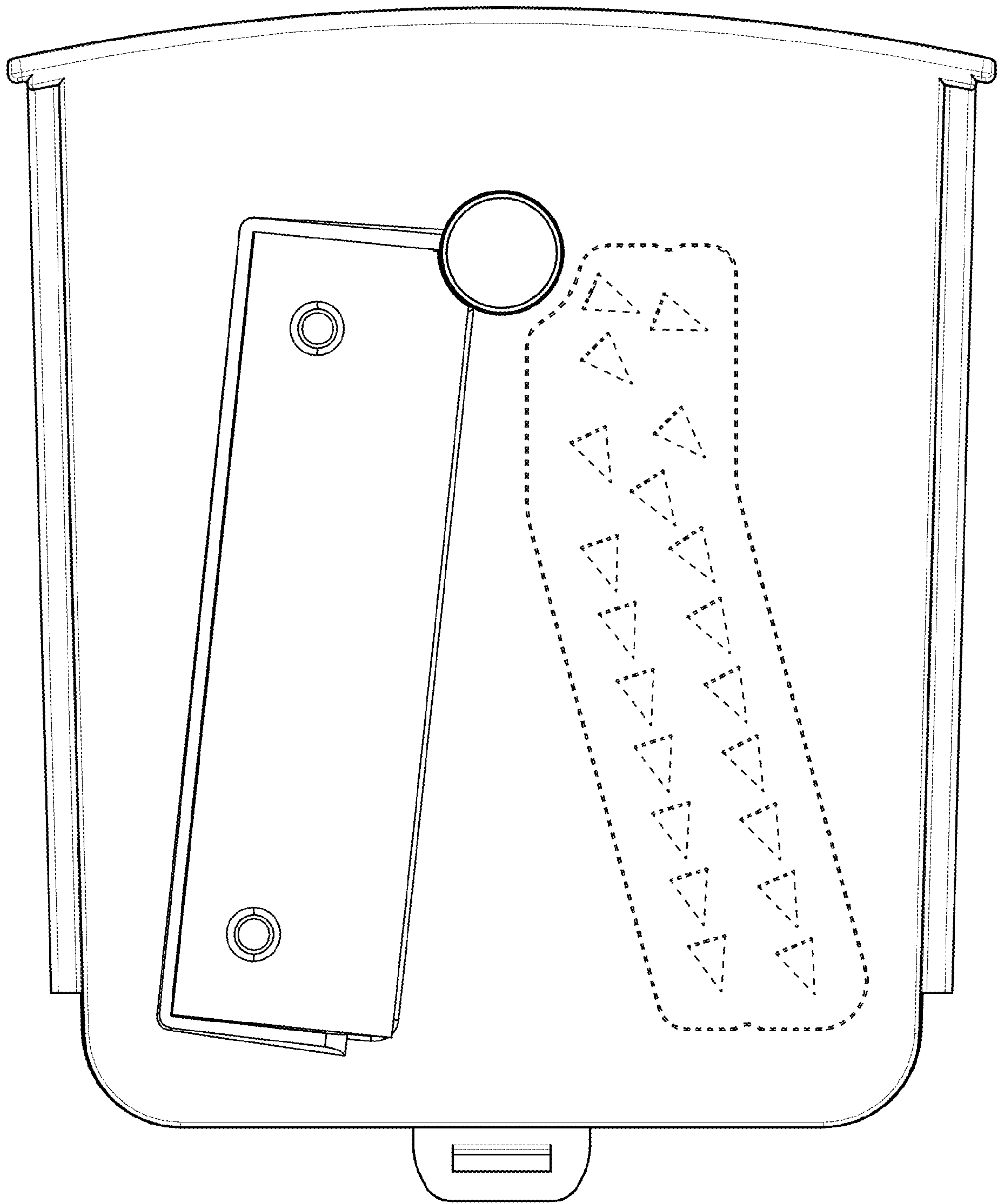


FIG. 3

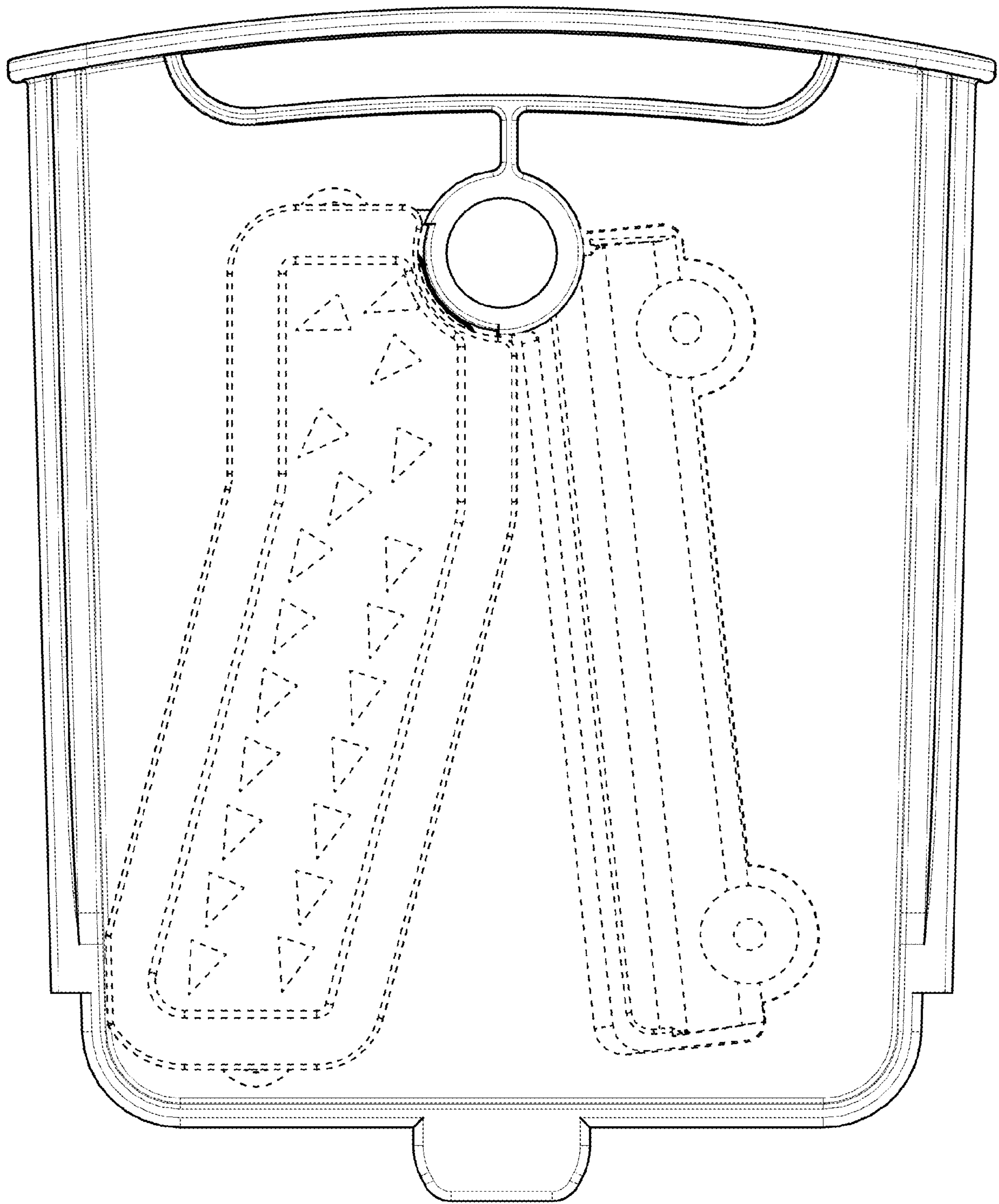


FIG. 4

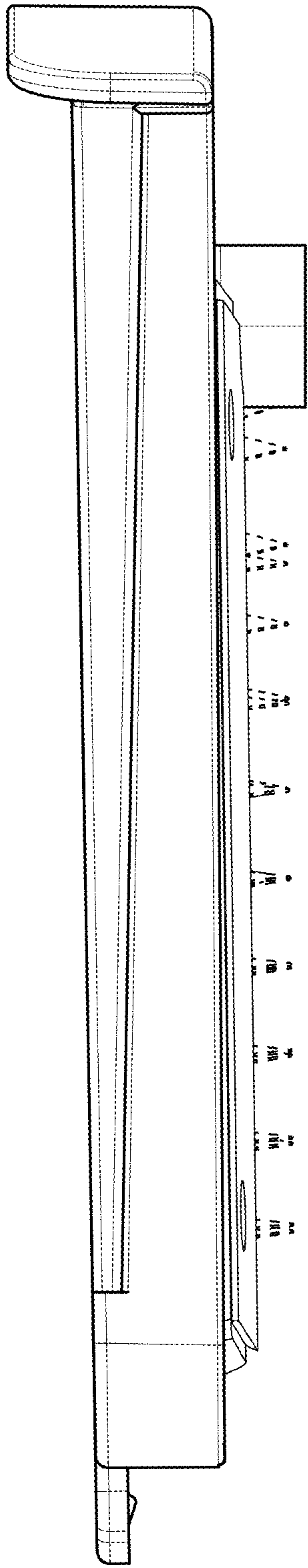


FIG. 5

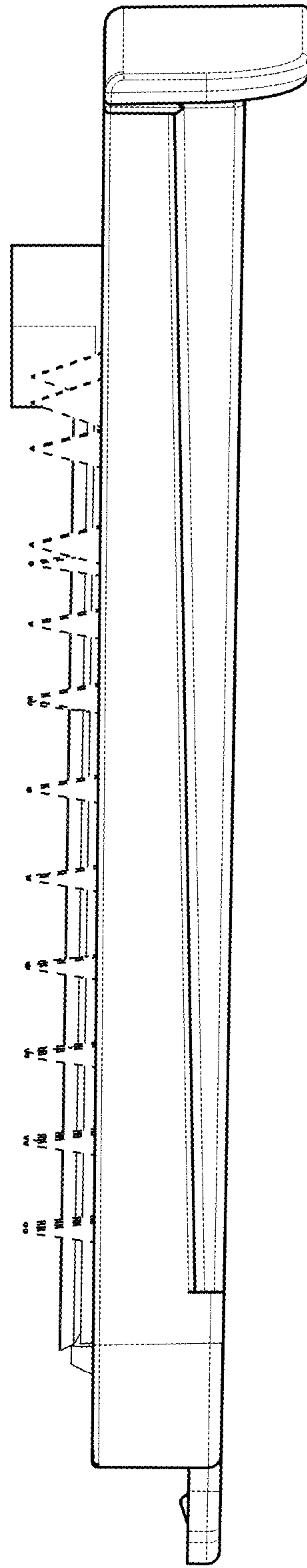


FIG. 6

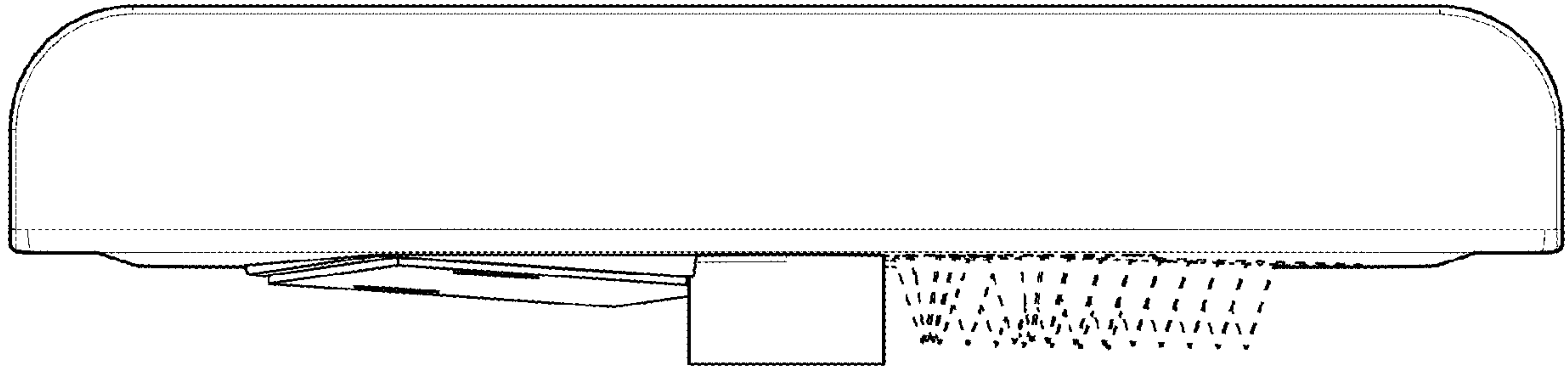


FIG. 7

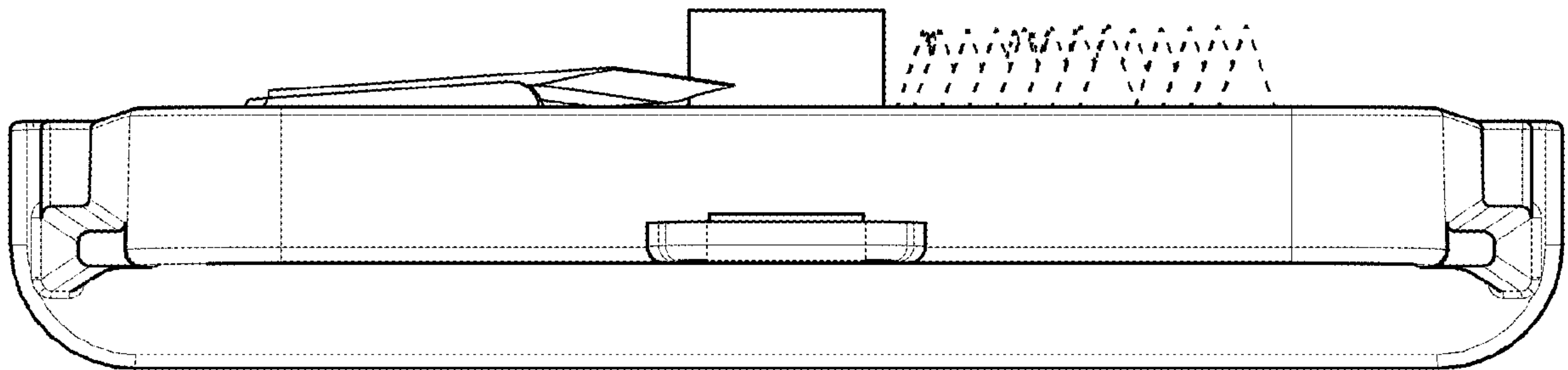


FIG. 8