



US00D879552S

(12) **United States Design Patent** (10) **Patent No.:** **US D879,552 S**
Omdahl, II et al. (45) **Date of Patent:** **** Mar. 31, 2020**

(54) **LID**
(71) Applicant: **Runway Blue, LLC**, Alpine, UT (US)
(72) Inventors: **John R. Omdahl, II**, Lindon, UT (US);
David O. Meyers, East Layton, UT (US)
(73) Assignee: **Runway Blue, LLC**, Alpine, UT (US)
(**) Term: **15 Years**

D652,255 S 1/2012 Carland
D662,360 S 6/2012 George
D675,100 S 1/2013 Herbst
D683,184 S 5/2013 Lin
D687,677 S 8/2013 Sturgess
D688,093 S 8/2013 Roth et al.
D700,061 S 2/2014 Trevisan
D708,954 S 7/2014 Barnes et al.
D720,218 S 12/2014 Hutson et al.
D735,578 S 8/2015 Mazurkiewicz et al.
D745,827 S * 12/2015 Sorensen D7/392.1
(Continued)

(21) Appl. No.: **29/675,227**
(22) Filed: **Dec. 28, 2018**

Related U.S. Application Data

(63) Continuation of application No. 29/590,135, filed on Jan. 6, 2017, now Pat. No. Des. 840,810.
(51) **LOC (12) Cl.** **07-01**
(52) **U.S. Cl.**
USPC **D7/396.2**; D9/443
(58) **Field of Classification Search**
USPC D7/387, 392.1, 396.2; D9/434-436, 440,
D9/443, 446-449, 454, 455, 499
CPC A45F 3/16
See application file for complete search history.

(56) **References Cited**

U.S. PATENT DOCUMENTS

D332,379 S 1/1993 Murphy
D396,380 S 7/1998 Lai et al.
D456,669 S 5/2002 Munari
D519,380 S 4/2006 Leoncavallo et al.
D528,921 S 9/2006 Leoncavallo et al.
D543,776 S 6/2007 Yelland
D568,740 S 5/2008 Williams
D627,602 S 11/2010 Eyal
D629,653 S 12/2010 Gullickson et al.
D635,457 S 4/2011 Lane

OTHER PUBLICATIONS

Amazon. Cool Gear 32 oz Ez-Freeze Gel Solstice Water Bottle. Mar. 11, 2012 [earliest online date], [site visited Feb. 1, 2018]. Available from Internet, <URL:https://goo.g1/5sDSKg>. (Year: 2012).
(Continued)

Primary Examiner — George D. Kirschbaum
Assistant Examiner — Darcey E Gottschalk
(74) *Attorney, Agent, or Firm* — Sterne, Kessler, Goldstein & Fox P.L.L.C.

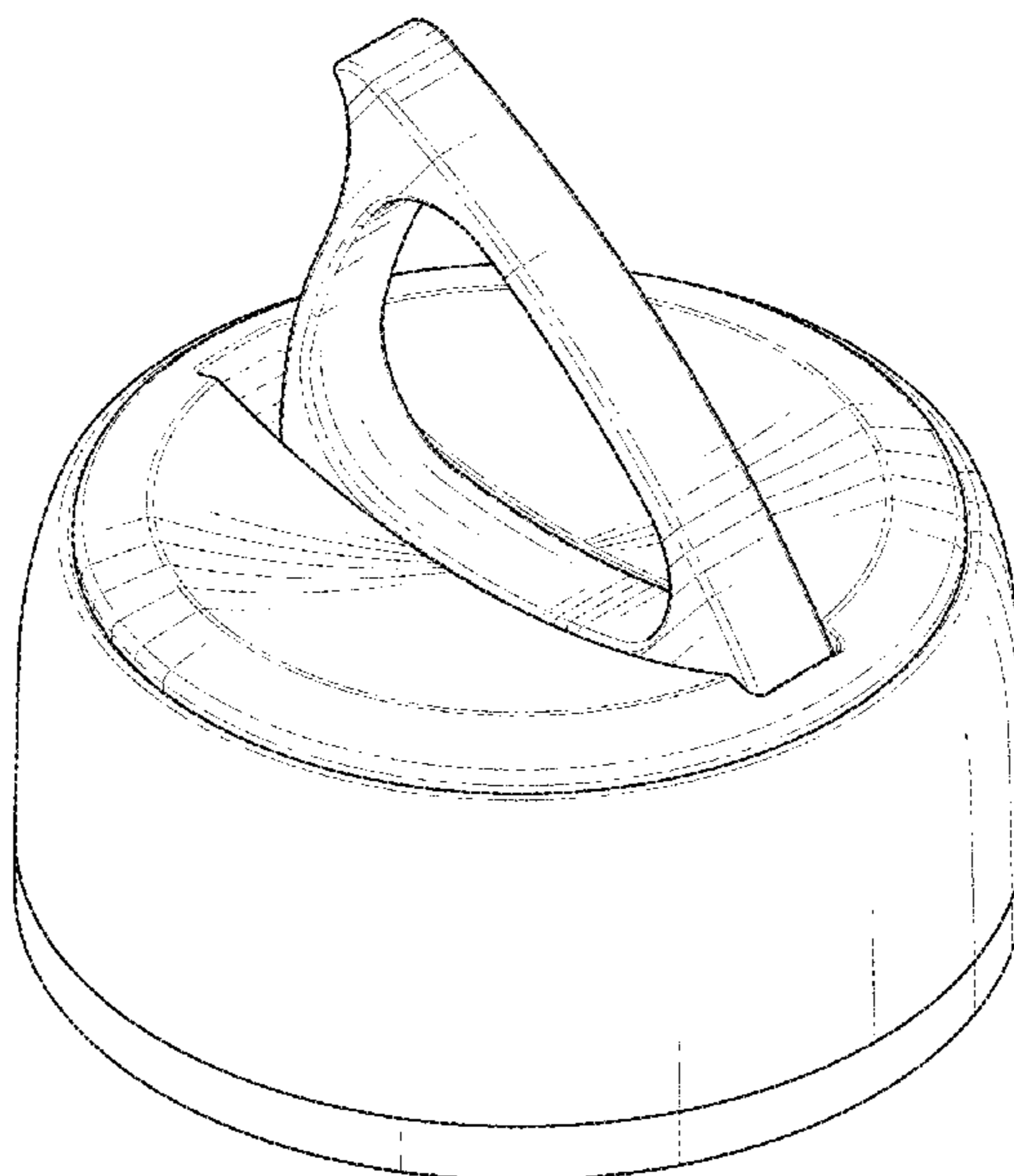
(57) **CLAIM**

The ornamental design for a lid, as shown and described.

DESCRIPTION

FIG. 1 is a top perspective view of a lid;
FIG. 2 is a front view of the lid shown in FIG. 1;
FIG. 3 is a rear view of the lid shown in FIG. 1;
FIG. 4 is a left side view of the lid shown in FIG. 1;
FIG. 5 is a right side view of the lid shown in FIG. 1;
FIG. 6 is a top view of the lid shown in FIG. 1; and,
FIG. 7 is a bottom view of the lid shown in FIG. 1.
The broken lines are shown for the purpose of illustrating environmental structure and parts of the article that form no part of the claimed design.

1 Claim, 7 Drawing Sheets



(56)

References Cited

U.S. PATENT DOCUMENTS

D758,859 S	6/2016	Sorensen et al.	
D760,080 S	6/2016	Gorbold	
D762,116 S	7/2016	Prendergast-Kelly	
D763,622 S	8/2016	Shirley et al.	
D767,328 S	9/2016	Boroski et al.	
D781,146 S	3/2017	Seiders et al.	
D786,671 S	5/2017	Khetarpaul et al.	
D793,154 S *	8/2017	Sorensen	D7/392.1
D795,009 S	8/2017	Alprin et al.	
D800,378 S	10/2017	Bennett	
D801,173 S	10/2017	Lown et al.	
D801,174 S	10/2017	Lown et al.	
D804,304 S	12/2017	Pearson	
D806,475 S	1/2018	Pisarevsky	
D808,213 S	1/2018	Lown et al.	
D808,720 S	1/2018	Dinan	
D816,400 S	5/2018	Beckman	
D840,810 S	2/2019	Omdahl et al.	
D846,354 S	4/2019	Omdahl et al.	
2014/0251938 A1	9/2014	Rose et al.	

OTHER PUBLICATIONS

Office Action dated Mar. 8, 2018 in U.S. Appl. No. 29/590,135.

Office Action dated Jul. 27, 2018 in U.S. Appl. No. 29/590,135.

* cited by examiner

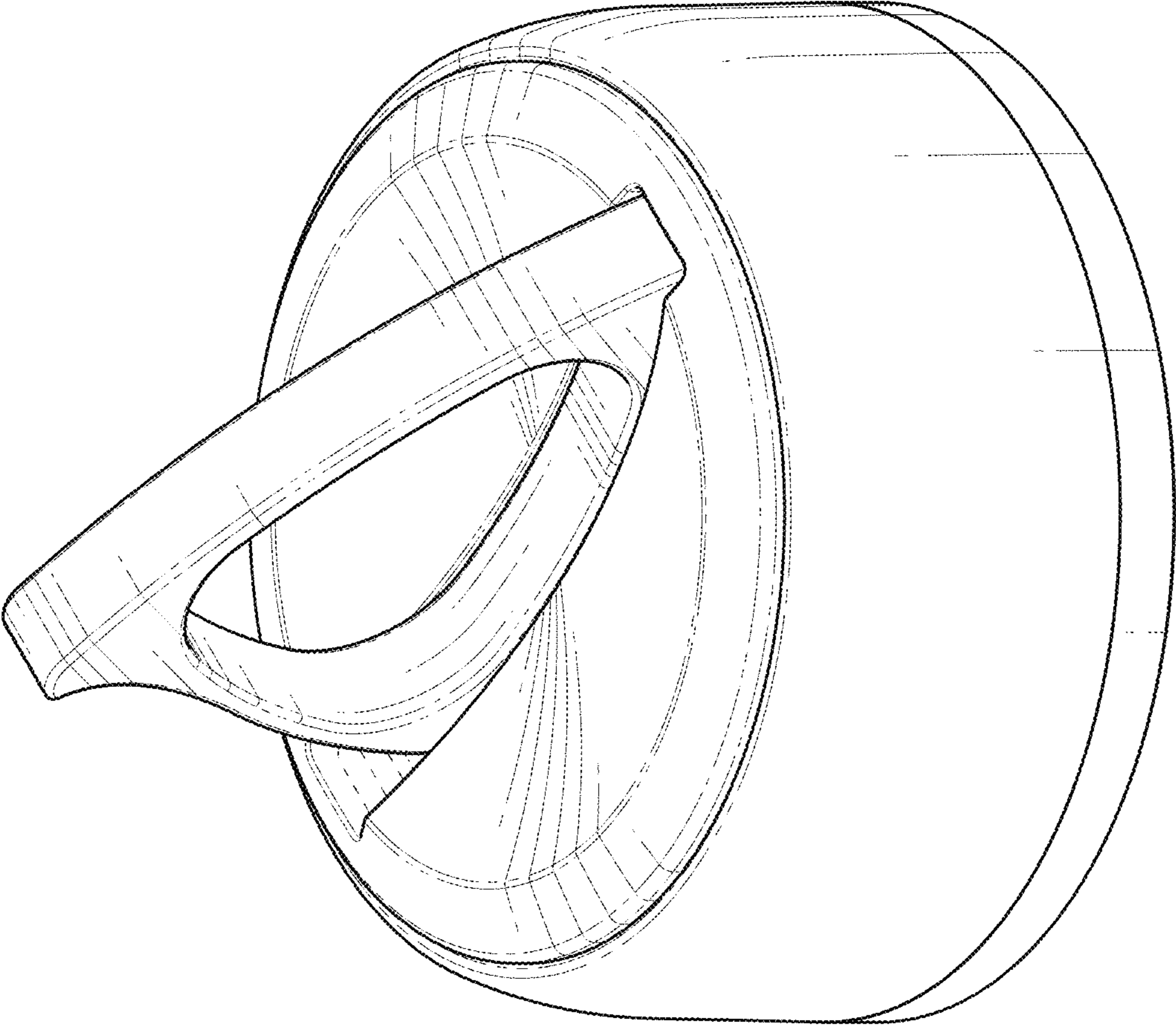


FIG. 1

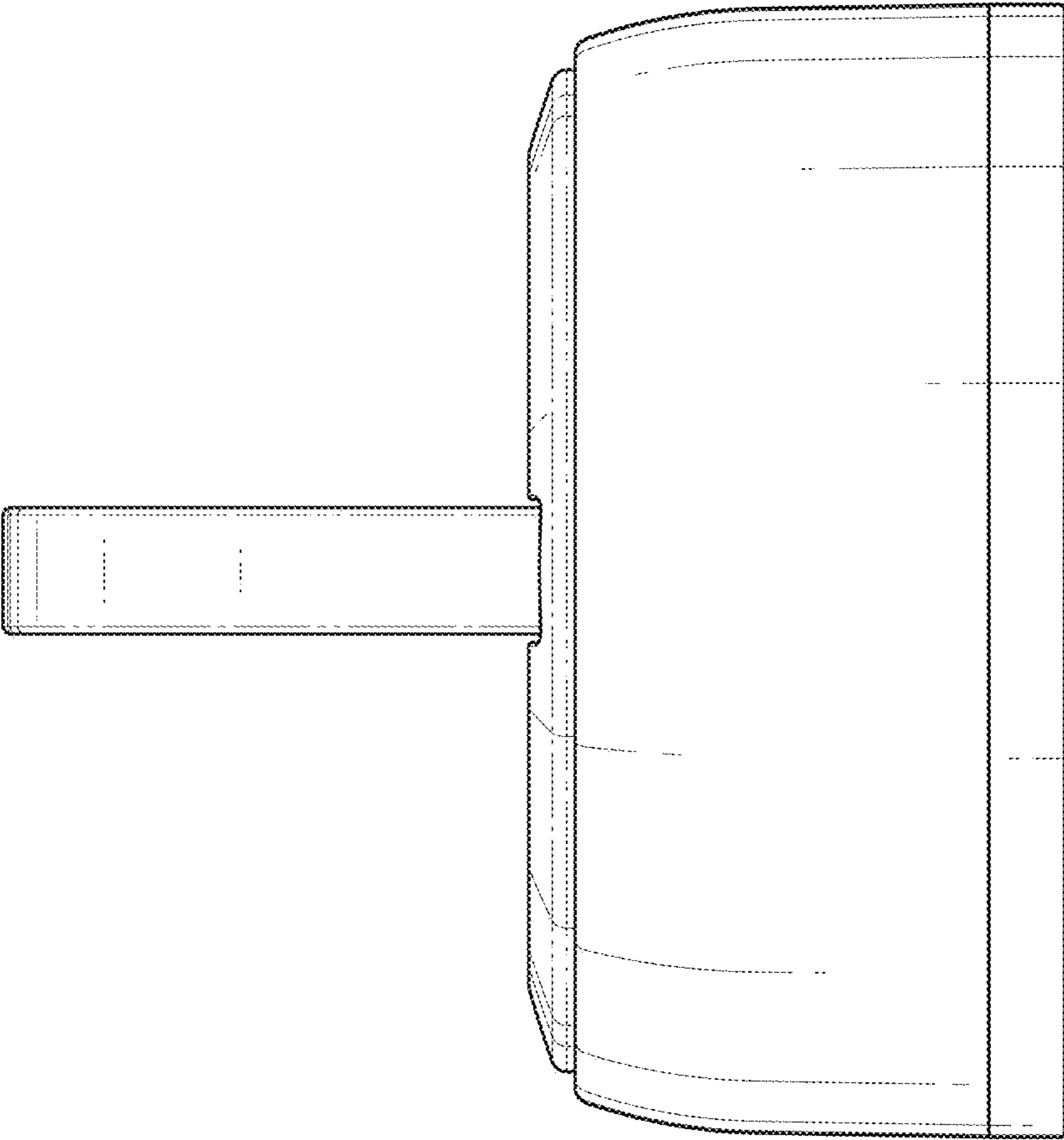


FIG. 2

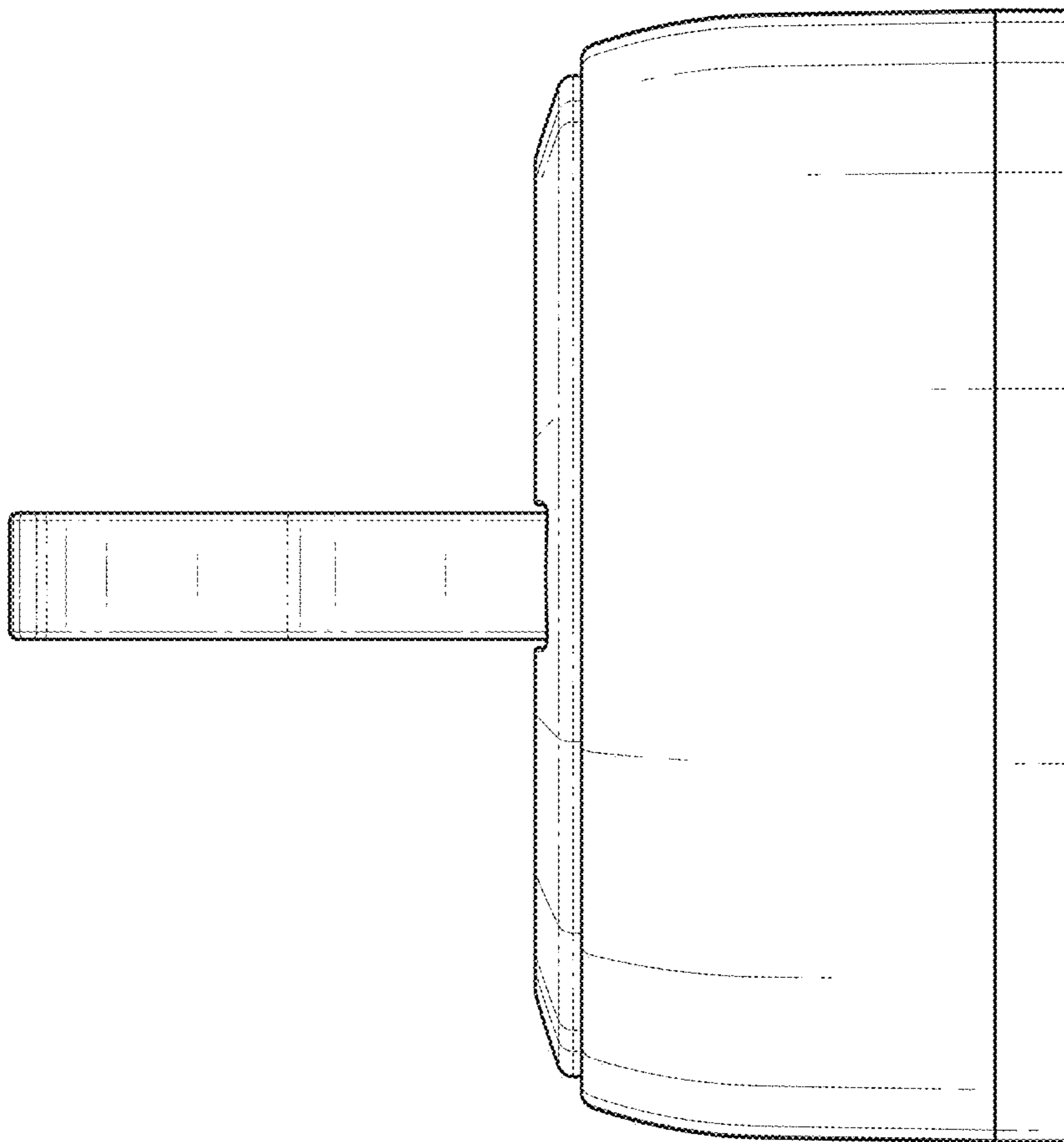


FIG. 3

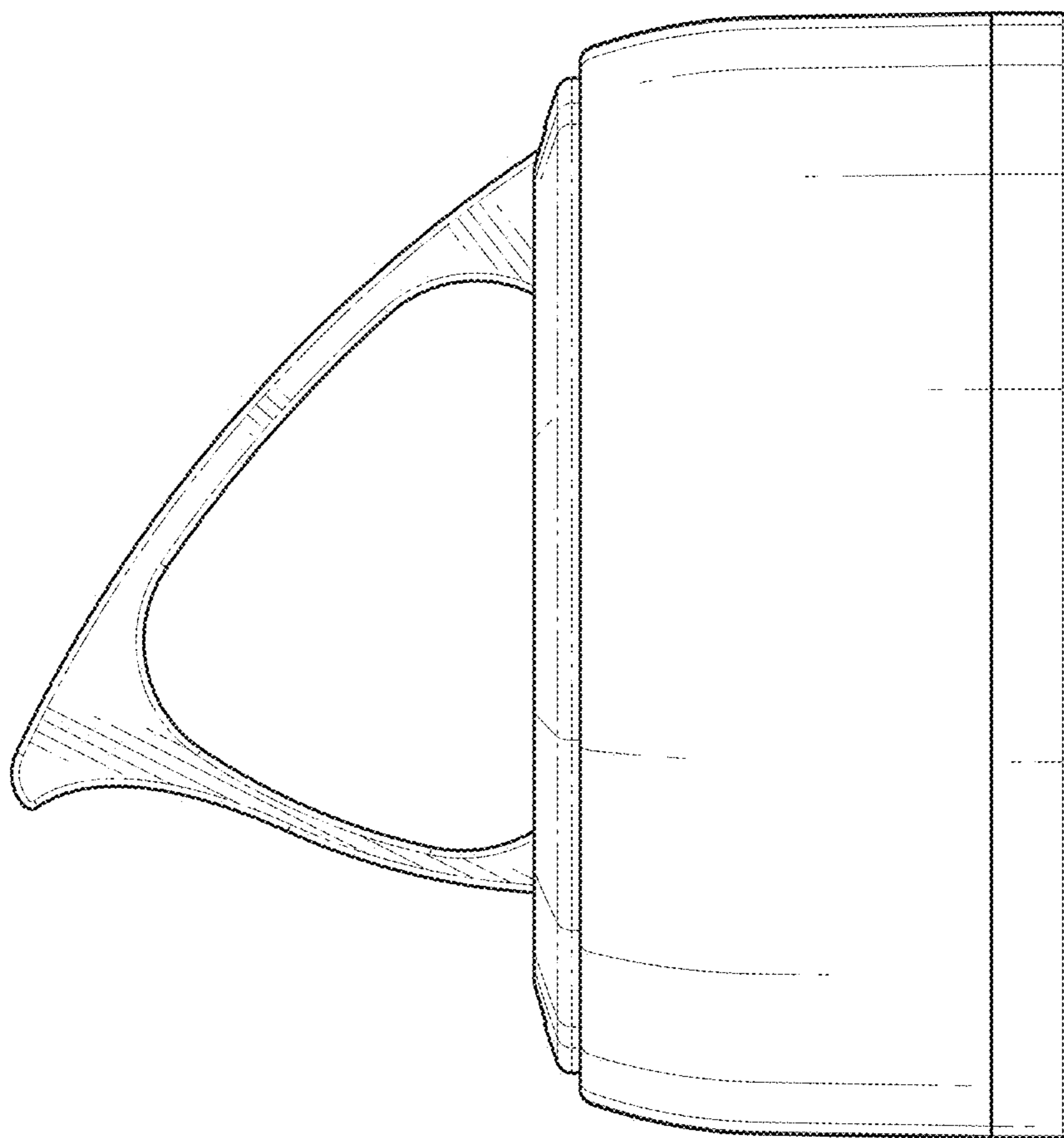


FIG. 4

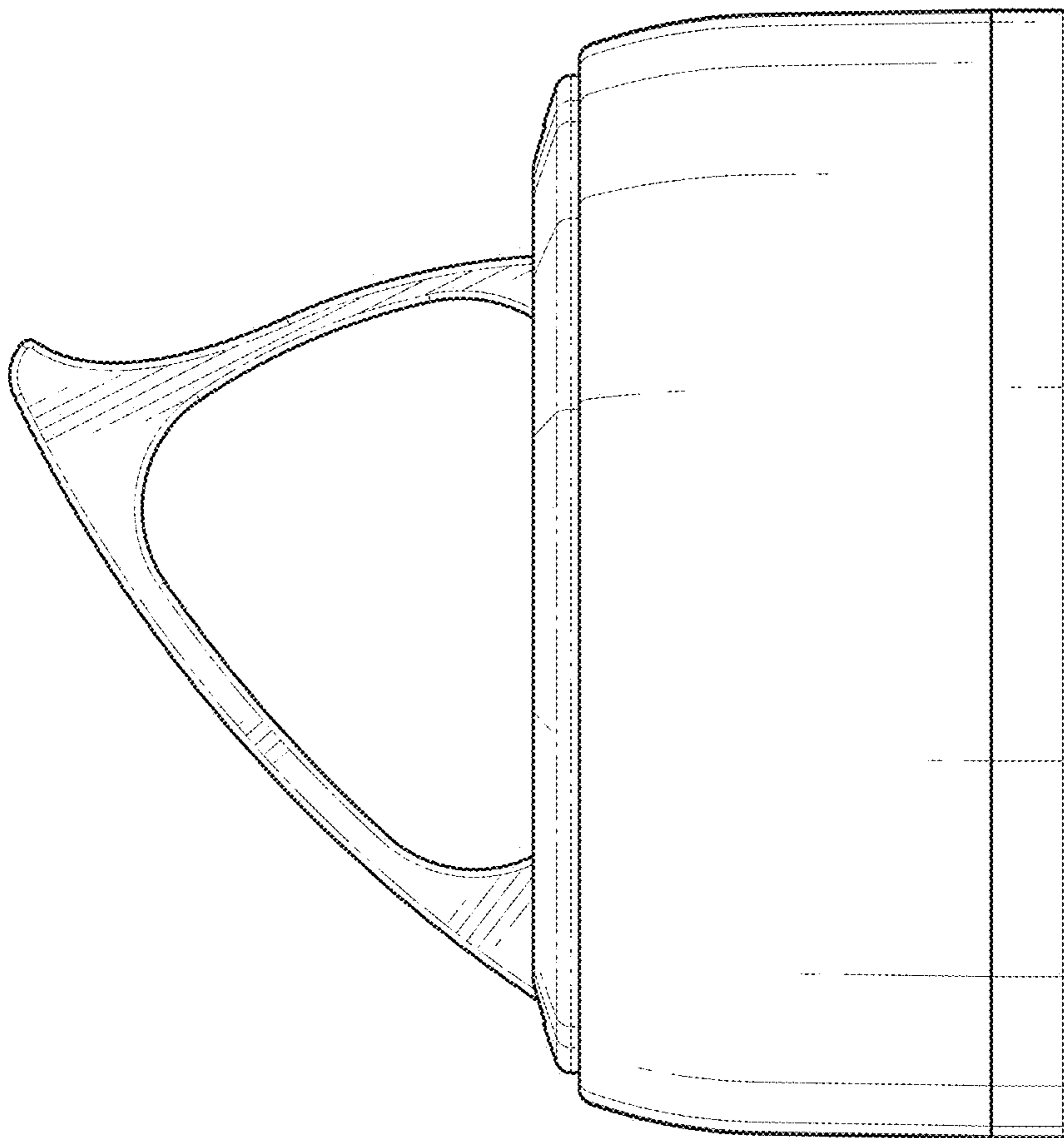


FIG. 5

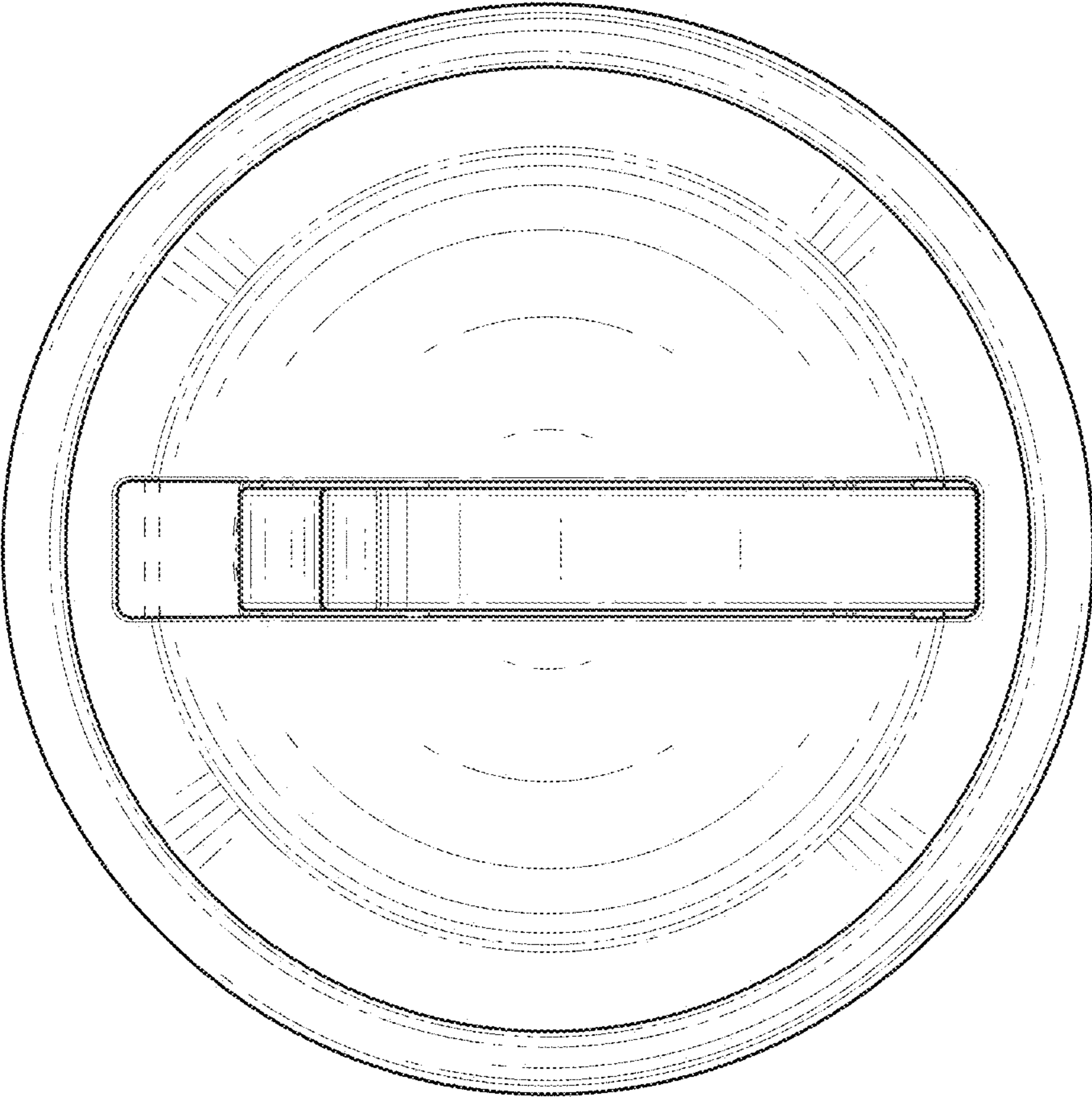


FIG. 6

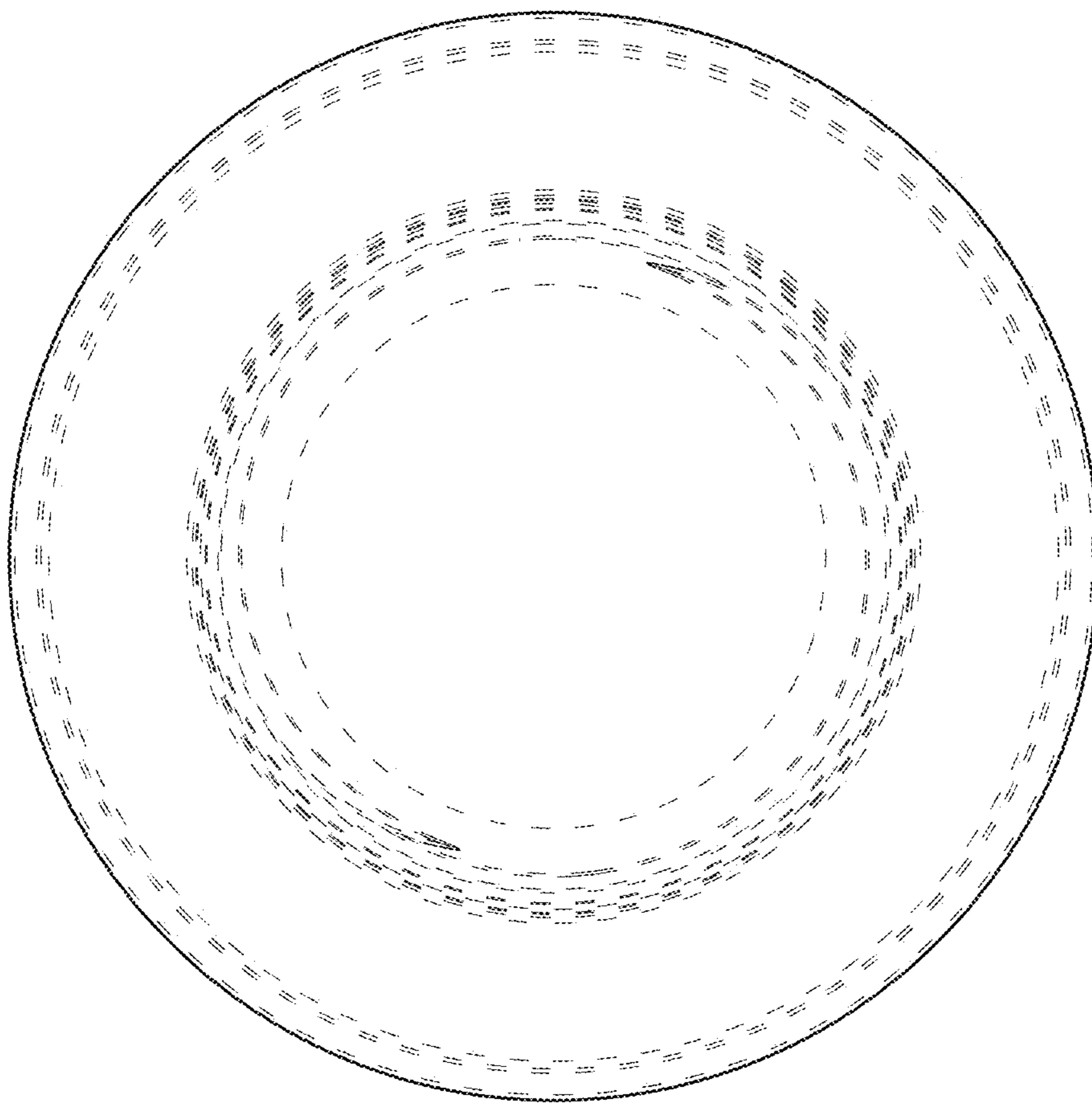


FIG. 7