



US00D879551S

(12) **United States Design Patent**
Byrd

(10) **Patent No.:** **US D879,551 S**
(45) **Date of Patent:** **** Mar. 31, 2020**

(54) **LID**
(71) Applicant: **Mark Byrd**, Mobile, AL (US)
(72) Inventor: **Mark Byrd**, Mobile, AL (US)
(**) Term: **15 Years**
(21) Appl. No.: **29/649,882**
(22) Filed: **Jun. 2, 2018**
(51) **LOC (12) Cl.** **07-99**
(52) **U.S. Cl.**
USPC **D7/392.1; D9/440**
(58) **Field of Classification Search**
USPC D9/414, 434-436, 438-440, 443-457,
D9/499, 503-505, 682, 685, 686;
D7/387, 391, 392, 392.1, 396.2-396.4,
D7/401.1, 507, 509-511, 538, 900;
D3/202, 203.2, 318; D28/91.1
CPC .. A61J 1/00; A61J 1/1412; B65D 1/00; B65D
1/02; B65D 1/10; B65D 1/46; B65D
5/46; B65D 41/00; B65D 41/38; B65D
41/56; B65D 41/62; B65D 47/00; B65D
47/06; B65D 47/08; B65D 2251/00;
B65D 2543/00046; B65D 2543/00092;
B65D 2543/00296; B65D 2585/56; B65D
2585/545
See application file for complete search history.

5,753,117 A * 5/1998 Jiang B01D 29/15
210/232
5,857,350 A 1/1999 Johnson et al.
5,953,933 A 9/1999 Cheng
6,192,702 B1 * 2/2001 Shimogori F24F 1/04
62/259.3
6,227,004 B1 5/2001 Gerstein
(Continued)

Primary Examiner — Michael A. Pratt
Assistant Examiner — Wendy L Arminio
(74) *Attorney, Agent, or Firm* — AdamsIP, LLC; J.
Hunter Adams

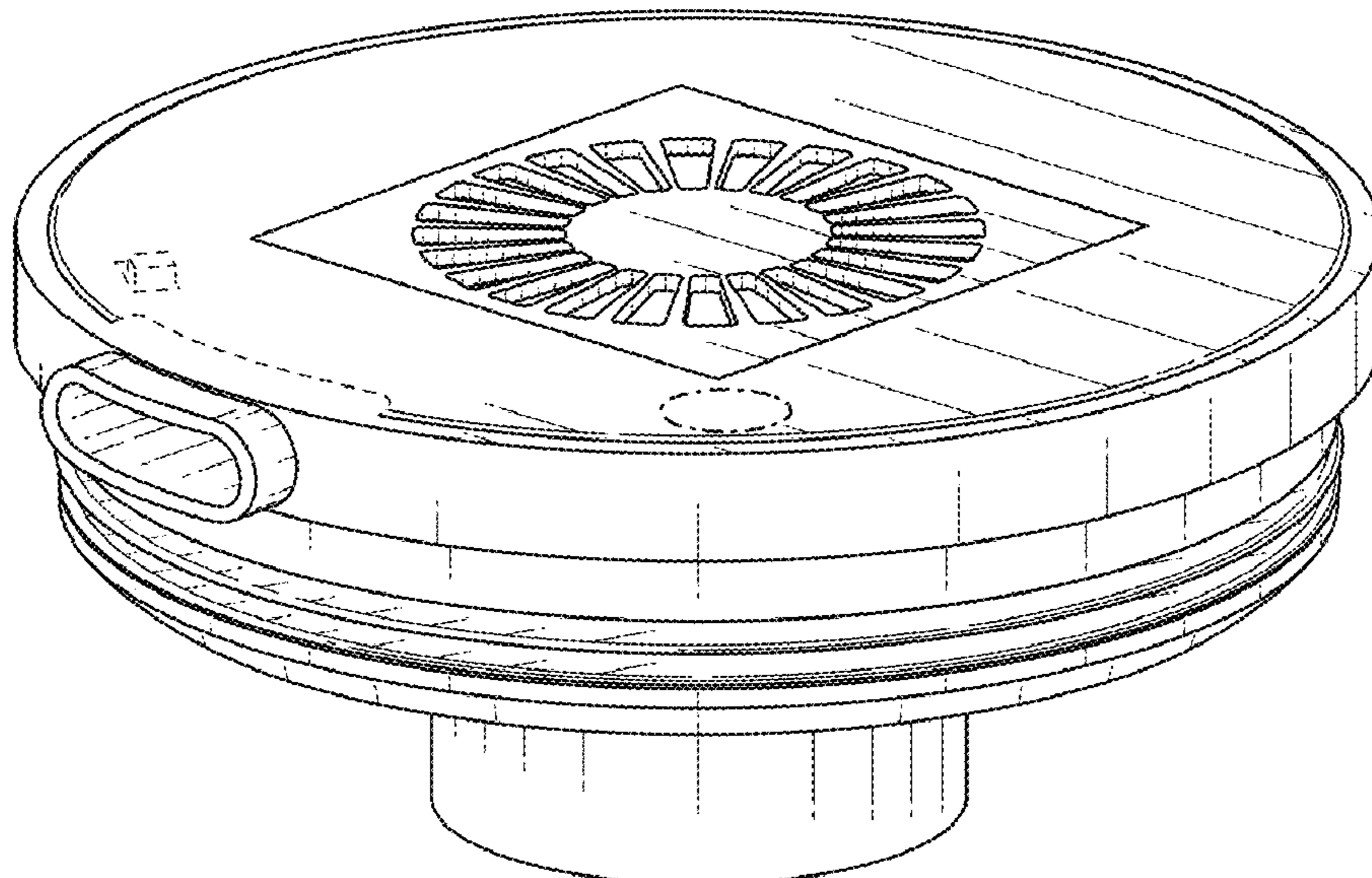
(57) **CLAIM**
The ornamental design for a lid, as shown and described.

DESCRIPTION

FIG. 1 is a top perspective view of a lid showing the claimed design;
FIG. 2 is a bottom perspective view thereof;
FIG. 3 is a front view thereof;
FIG. 4 is a back view thereof;
FIG. 5 is a left side view thereof;
FIG. 6 is a right side view thereof;
FIG. 7 is a top view thereof;
FIG. 8 is a bottom view thereof; and,
FIG. 9 is a top perspective view thereof shown in a position of use secured to a beverage container drawn in broken lines and with a straw, also drawn in broken lines, extending through the lid into the beverage container.
The dash-dash broken lines in FIG. 9 illustrating a beverage container and straw depict environmental subject matter and form no part of the claimed design. All other dash-dash broken lines depict portions of the lid that form no part of the claimed design. The dot-dash broken lines depict the boundaries of the claim which, along with the spaces contained within them, form no part of the claimed design. The shade lines in the figures show contour and not surface ornamentation.

1 Claim, 5 Drawing Sheets

(56) **References Cited**
U.S. PATENT DOCUMENTS
1,922,790 A 8/1933 Alger
3,805,991 A * 4/1974 Cheladze B65D 43/0208
D7/396.2
D271,284 S * 11/1983 Bainton D9/438
D272,323 S * 1/1984 Bainton D9/438
D275,655 S * 9/1984 Bainton D9/438
D280,600 S * 9/1985 Earl D9/428
5,062,281 A 11/1991 Oliphant et al.



(56)

References Cited

U.S. PATENT DOCUMENTS

D459,941 S * 7/2002 Miller C02F 1/003
D7/392
7,188,489 B2 3/2007 Martello
D591,151 S * 4/2009 Freeman D9/447
D631,284 S * 1/2011 Fuller D7/396.2
D658,057 S * 4/2012 Donat D9/447
D677,119 S * 3/2013 Ying D7/392.1
D729,371 S * 5/2015 Davis D23/366
9,151,295 B2 * 10/2015 Avedon F04D 25/08
D756,705 S * 5/2016 Abrams D7/510
D790,272 S * 6/2017 Han D7/396.2
D799,890 S * 10/2017 McClory D7/375
D808,722 S * 1/2018 Hill D7/510
D825,992 S * 8/2018 Sadhwani D7/510
D830,174 S * 10/2018 Takezawa D9/450
D842,028 S * 3/2019 Melanson D7/392.1
D845,064 S * 4/2019 Mulhauser D7/392.1
D850,192 S * 6/2019 Jacobsen D7/396.2
D855,461 S * 8/2019 Wu D9/440
D856,073 S * 8/2019 Reed D7/398
D857,443 S * 8/2019 Hill D7/392.1
2003/0230109 A1 12/2003 Link
2005/0150251 A1 7/2005 Navado et al.
2006/0254306 A1 11/2006 Urfig
2018/0073769 A1 3/2018 Herweck et al.

* cited by examiner

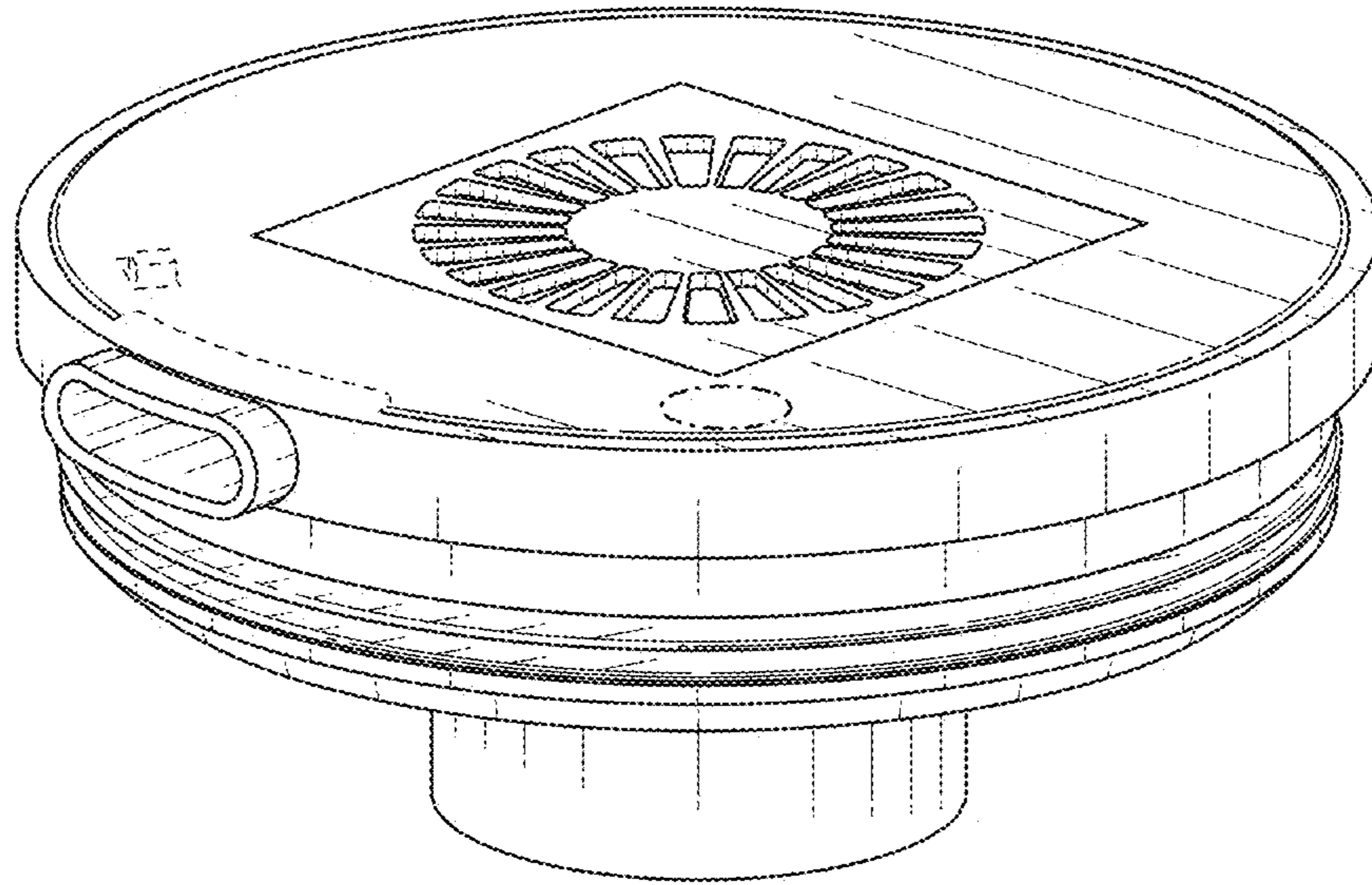


FIG. 1

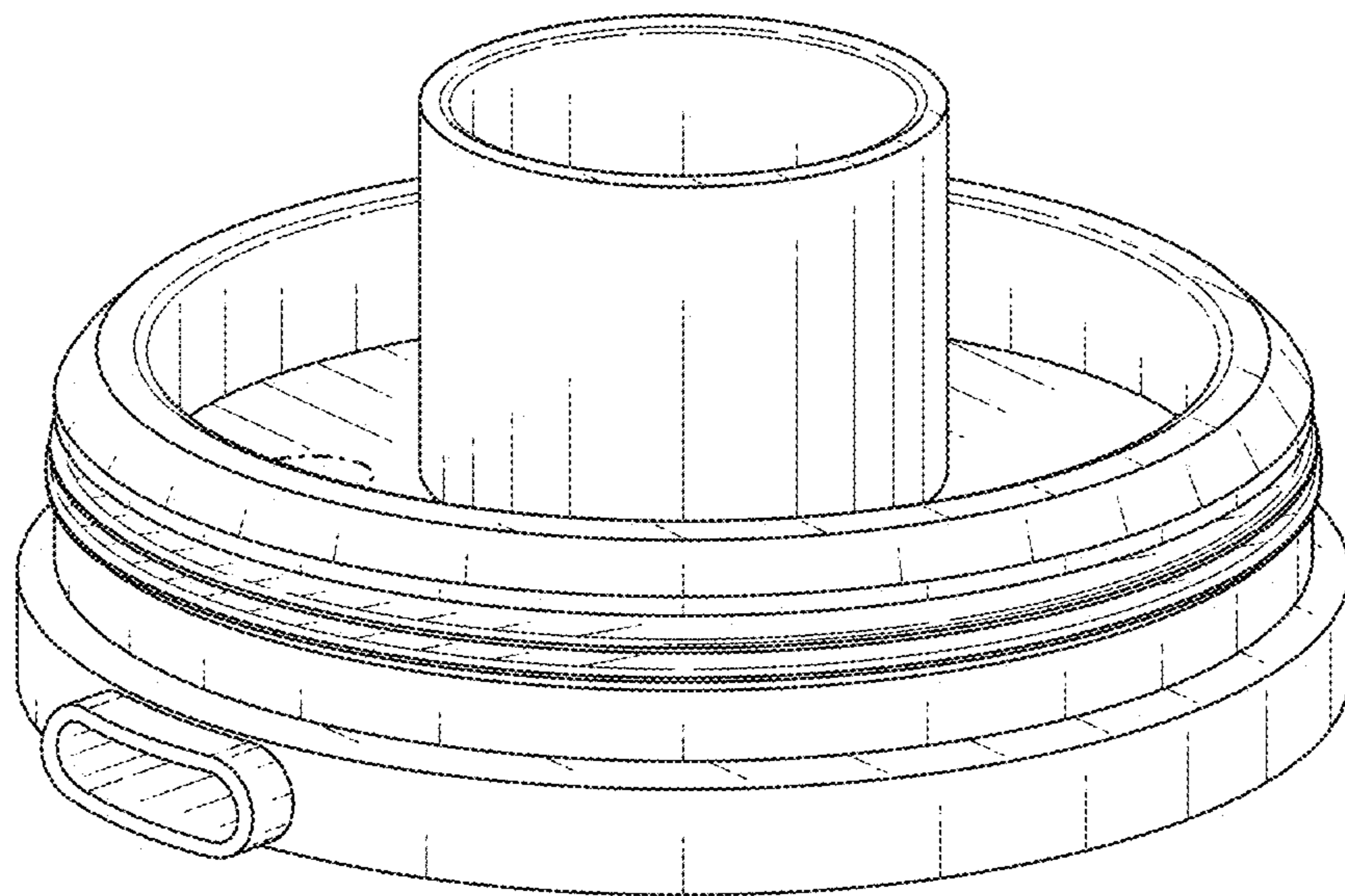


FIG. 2

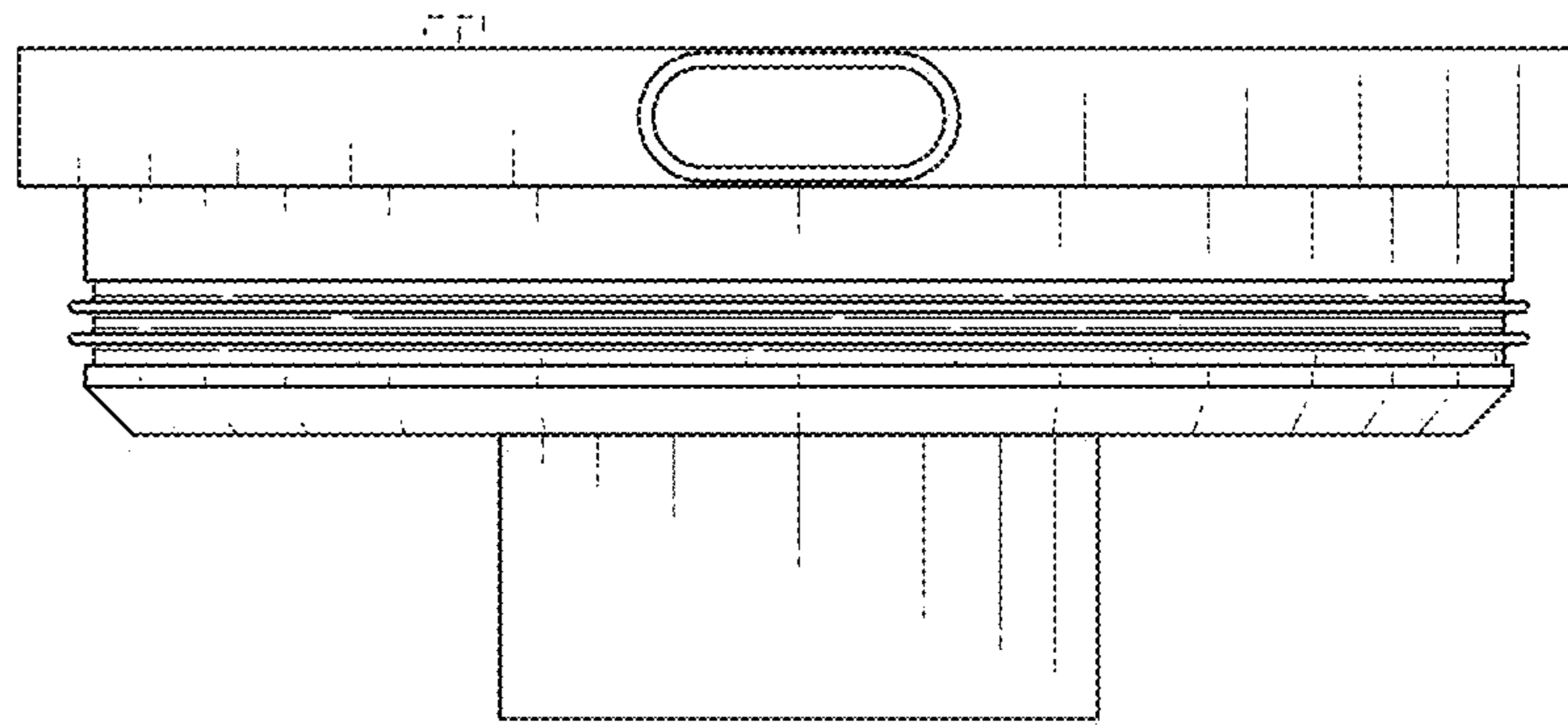


FIG. 3

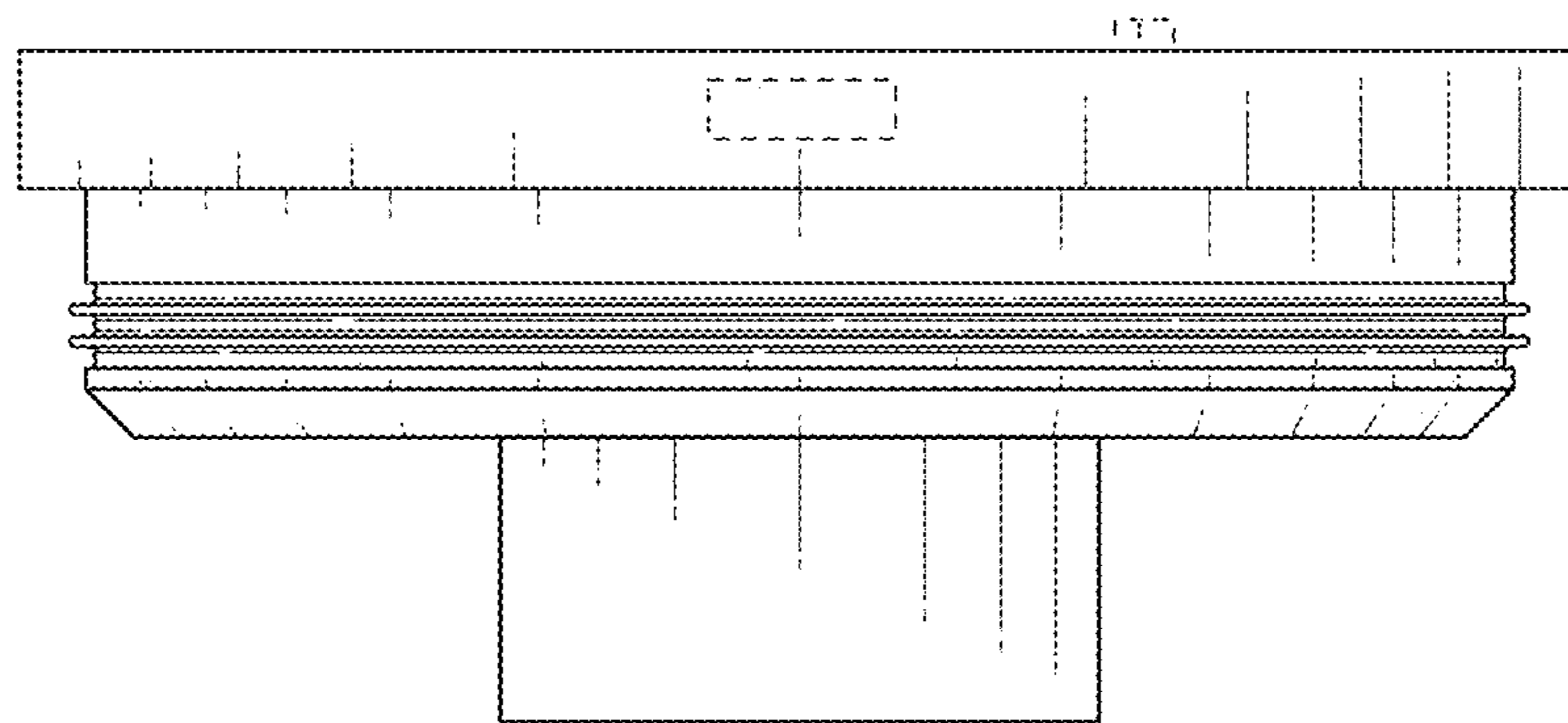


FIG. 4

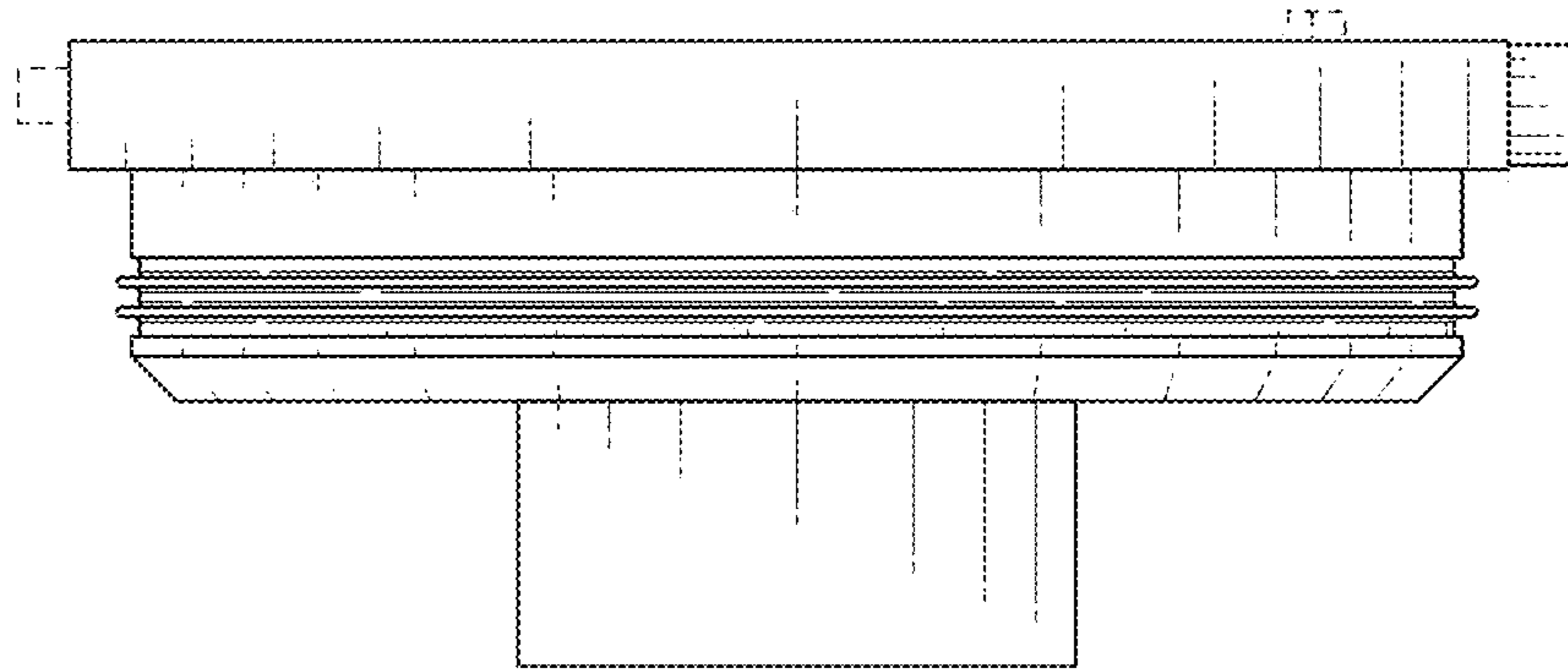


FIG. 5

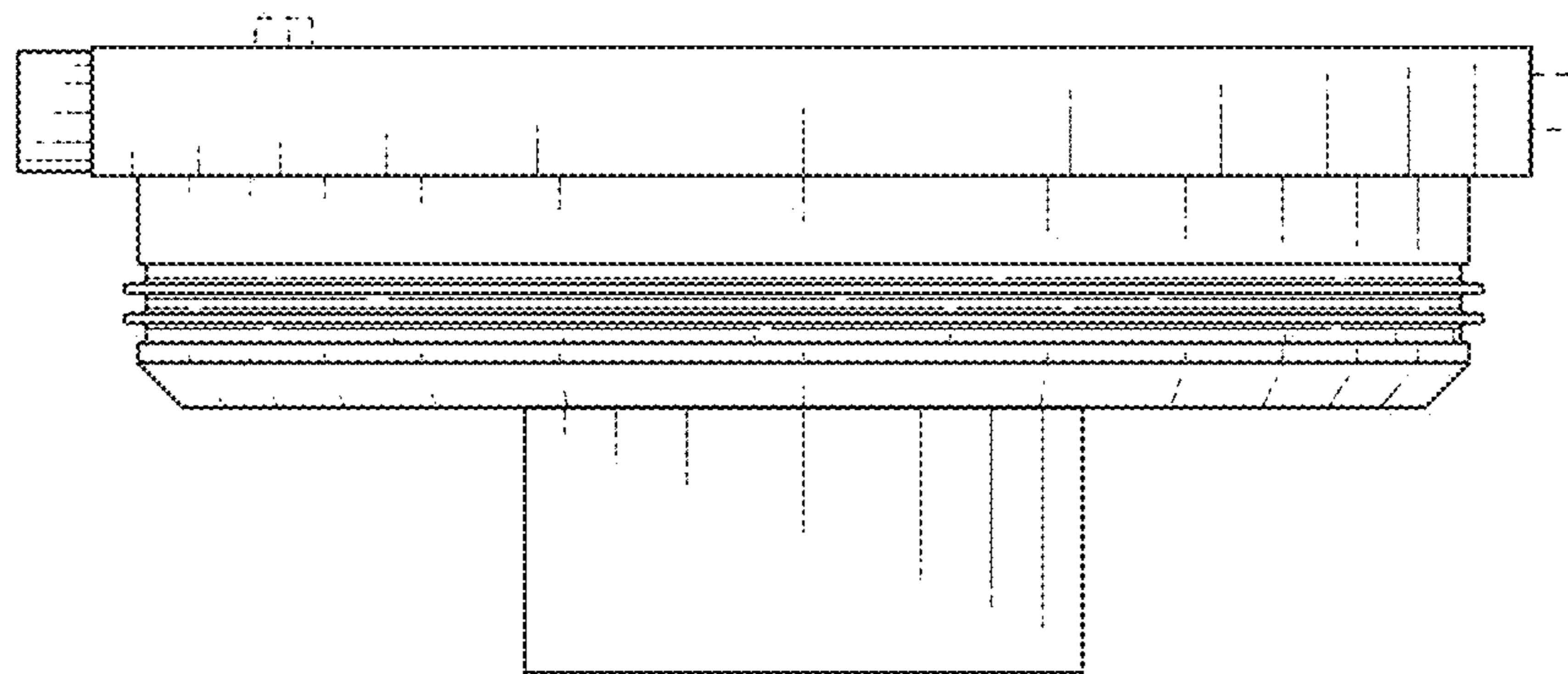


FIG. 6

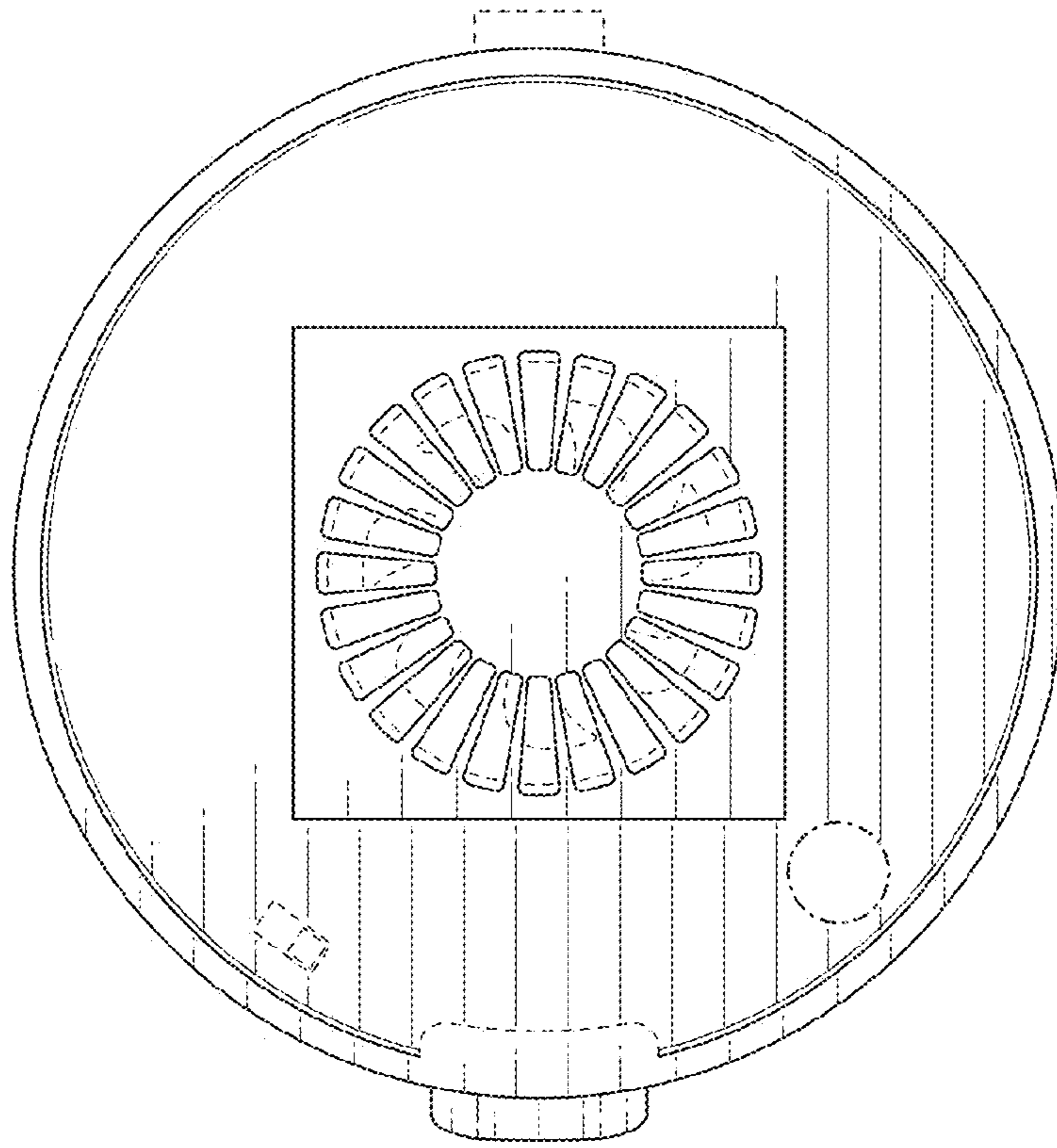


FIG. 7

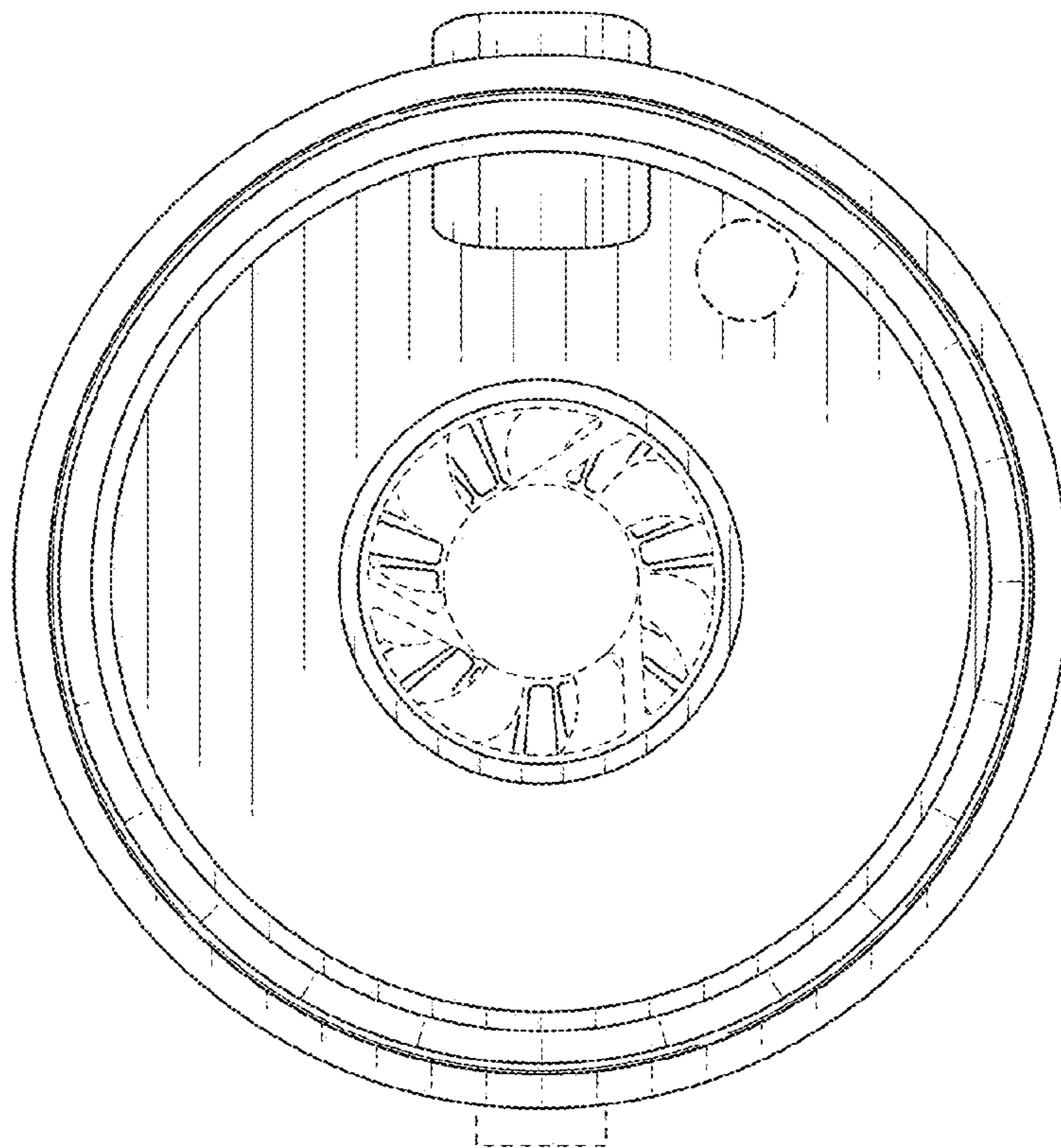


FIG. 8

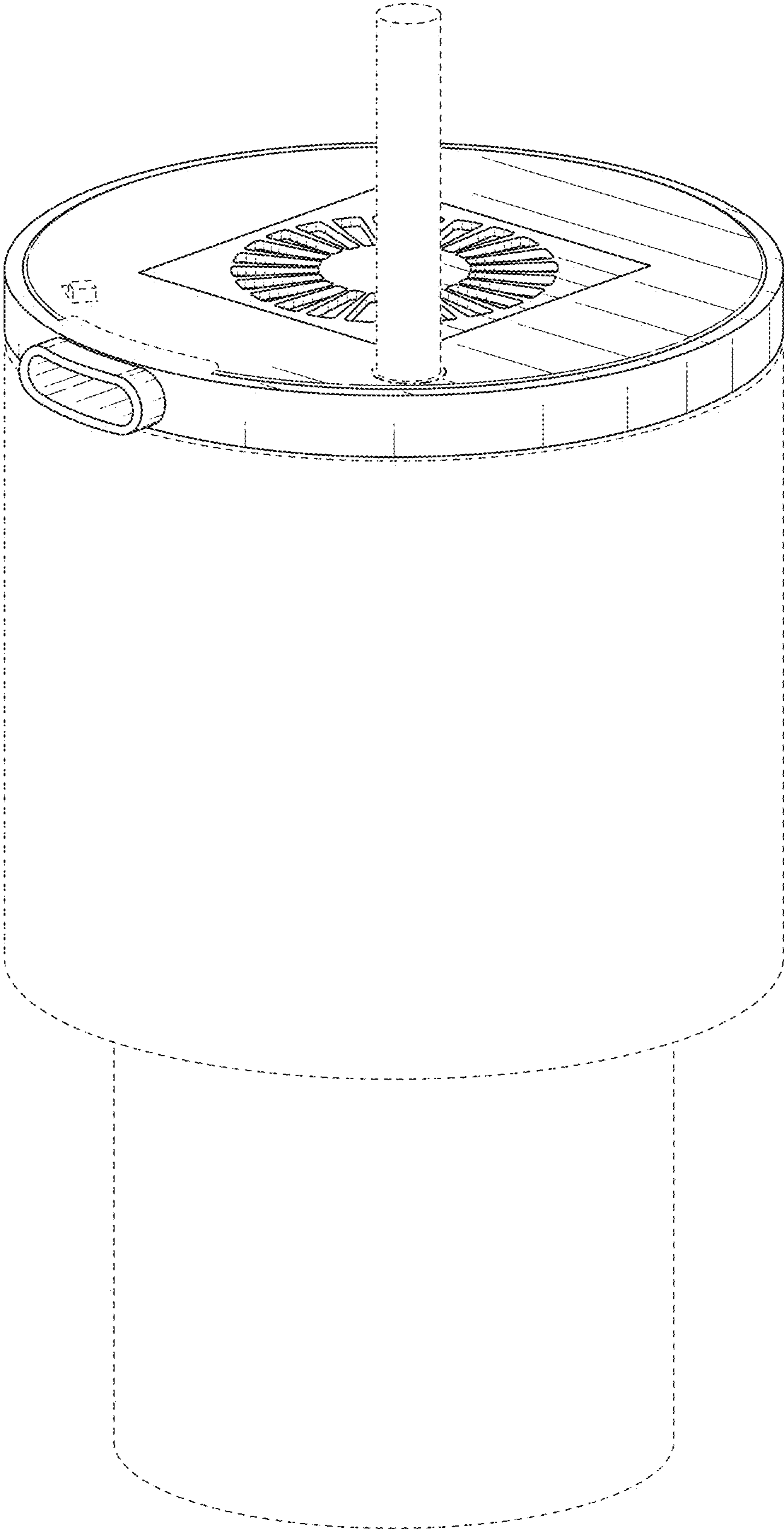


FIG. 9