



US00D879550S

(12) **United States Design Patent**
Lane et al.

(10) **Patent No.:** **US D879,550 S**
(45) **Date of Patent:** **** Mar. 31, 2020**

(54) **LID FOR BOTTLE**

(71) Applicants: **Marvin Lane**, Wheeling, IL (US);
Dwayne Boroski, Lake in the Hills, IL (US); **Jennifer Bae Park**, Chicago, IL (US)

(72) Inventors: **Marvin Lane**, Wheeling, IL (US);
Dwayne Boroski, Lake in the Hills, IL (US); **Jennifer Bae Park**, Chicago, IL (US)

(73) Assignee: **Thermos L.L.C.**, Schaumburg, IL (US)

(**) Term: **15 Years**

(21) Appl. No.: **29/643,611**

(22) Filed: **Apr. 10, 2018**

(51) **LOC (12) Cl.** **07-99**

(52) **U.S. Cl.**
USPC **D7/392**

(58) **Field of Classification Search**
USPC D9/452, 453, 454, 435, 447, 449;
D7/392, 392.1
CPC A47G 21/18; A61J 7/0038; B65D
2517/0049
See application file for complete search history.

(56) **References Cited**

U.S. PATENT DOCUMENTS

- 2,608,841 A * 9/1952 Rice A47G 19/2272
215/11.5
- 2,754,866 A * 7/1956 Coltman, Jr. B65D 47/0895
220/254.3
- 3,312,366 A * 4/1967 Paris B65D 51/246
141/381

(Continued)

Primary Examiner — Karen S Acker

Assistant Examiner — Steven B Reinholdt, Jr.

(74) *Attorney, Agent, or Firm* — Polsinelli PC

(57) **CLAIM**

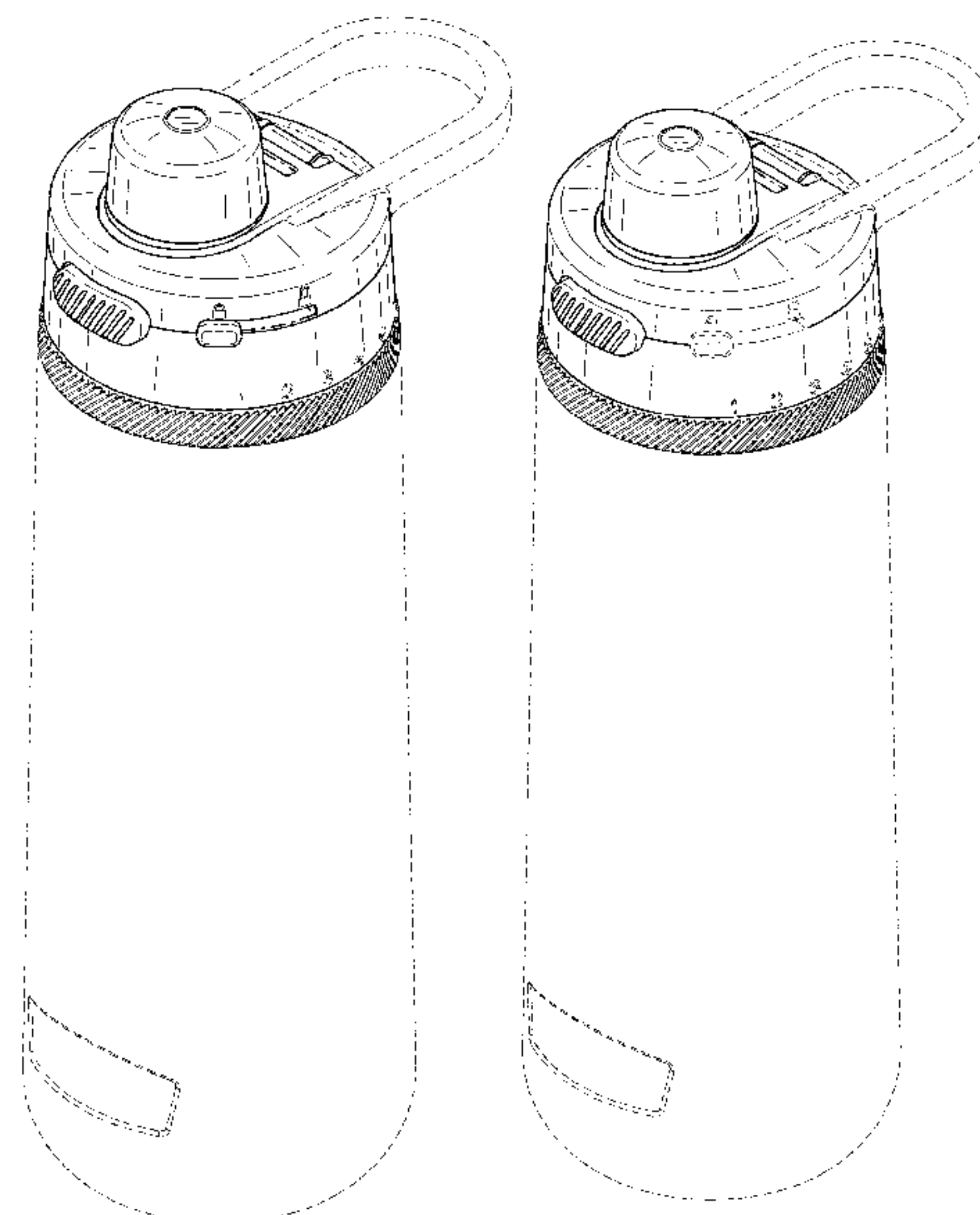
The ornamental design for a lid for bottle, as shown and described.

DESCRIPTION

FIG. 1 is a perspective view of a first embodiment of the lid for bottle;
 FIG. 2 is a front view of the first embodiment of the lid for bottle;
 FIG. 3 is a rear view of the first embodiment of the lid for bottle;
 FIG. 4 is a right side view of the first embodiment of the lid for bottle;
 FIG. 5 is a left side view of the first embodiment of the lid for bottle;
 FIG. 6 is a top view of the first embodiment of the lid for bottle;
 FIG. 7 is a bottom view of the first embodiment of the lid for bottle;
 FIG. 8 is a perspective view of a second embodiment of the lid for bottle;
 FIG. 9 is a front view of the second embodiment of the lid for bottle;
 FIG. 10 is a rear view of the second embodiment of the lid for bottle;
 FIG. 11 is a right side view of the second embodiment of the lid for bottle;
 FIG. 12 is a left side view of the second embodiment of the lid for bottle;
 FIG. 13 is a top view of the second embodiment of the lid for bottle; and,
 FIG. 14 is a bottom view of the second embodiment of the lid for bottle.

The evenly spaced broken lines and the areas within them on the lid depict portions of the lid for bottle that form no part of the claimed design. The broken lines depicting a bottle as environment form no part of the claimed design. The dot-dash-dot broken lines depict the boundaries of the claim and form no part thereof.

1 Claim, 12 Drawing Sheets



(56)

References Cited

U.S. PATENT DOCUMENTS

D346,718 S * 5/1994 Timmermans D7/391
 D390,462 S * 2/1998 Mao D9/435
 D505,294 S * 5/2005 Gauss D7/392.1
 D634,160 S * 3/2011 Cetera D7/510
 D644,489 S * 9/2011 Trombly D7/510
 D690,556 S * 10/2013 Boroski D7/510
 D714,584 S * 10/2014 Boroski D7/392
 D719,827 S * 12/2014 Duran D9/447
 D723,918 S * 3/2015 Karl, IV D9/447
 D752,434 S * 3/2016 Willows D9/447
 D752,976 S * 4/2016 Koffel D9/447
 D761,648 S * 7/2016 Karl, IV D9/447
 D763,076 S * 8/2016 Lane D9/446
 D772,064 S * 11/2016 Boroski D9/436
 D786,072 S * 5/2017 Breit D9/443
 D791,542 S * 7/2017 Miksovsky D7/510

D792,216 S * 7/2017 Breit D9/443
 D801,111 S * 10/2017 Eyal D7/392.1
 D813,593 S * 3/2018 Cornu D7/392
 D816,397 S * 5/2018 Karl, IV D7/392.1
 D817,085 S * 5/2018 Davis D7/392.1
 D824,721 S * 8/2018 Hu D7/392.1
 D825,332 S * 8/2018 Miksovsky D9/446
 D831,414 S * 10/2018 Diener D7/392
 D834,368 S * 11/2018 Oas D7/392.1
 D836,386 S * 12/2018 Ayriss B65D 47/0857
 D7/392
 2009/0236341 A1 * 9/2009 McKinney A47G 19/2266
 220/375
 2012/0168441 A1 * 7/2012 Lane B65D 47/242
 220/212
 2015/0041500 A1 * 2/2015 Ismail A47G 19/34
 222/434
 2017/0129665 A1 * 5/2017 Rolfes B65D 51/2821

* cited by examiner

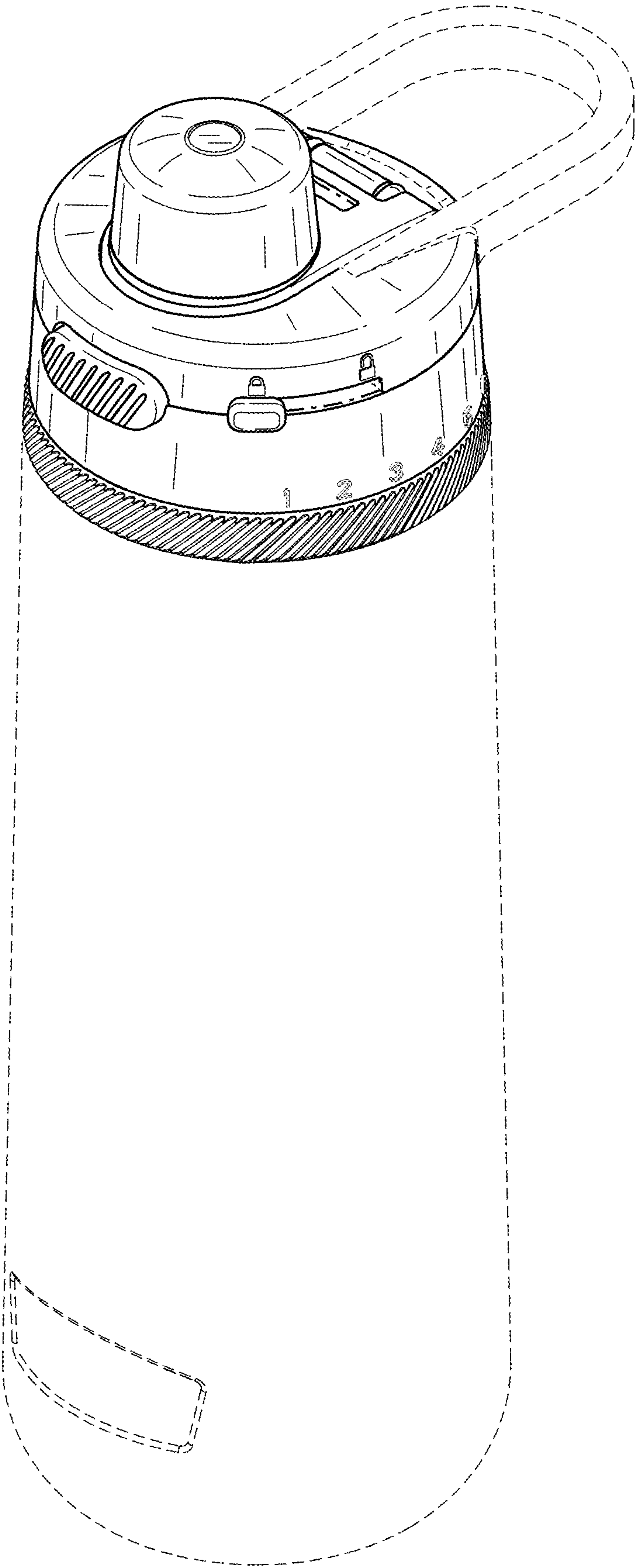


FIG. 1

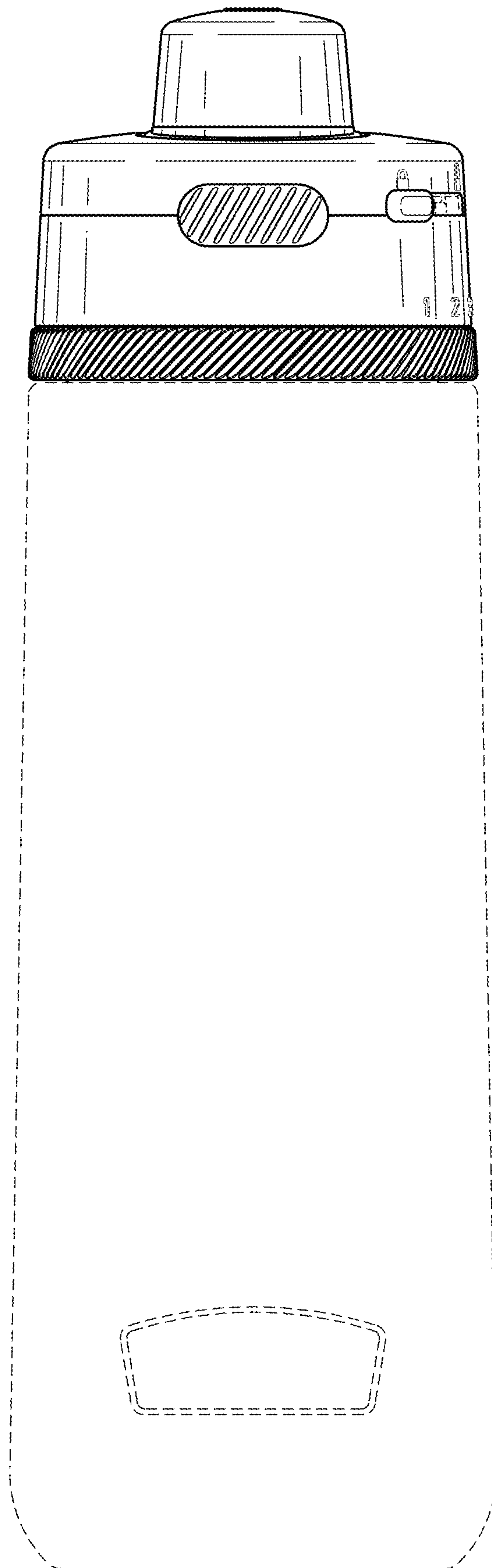


FIG. 2

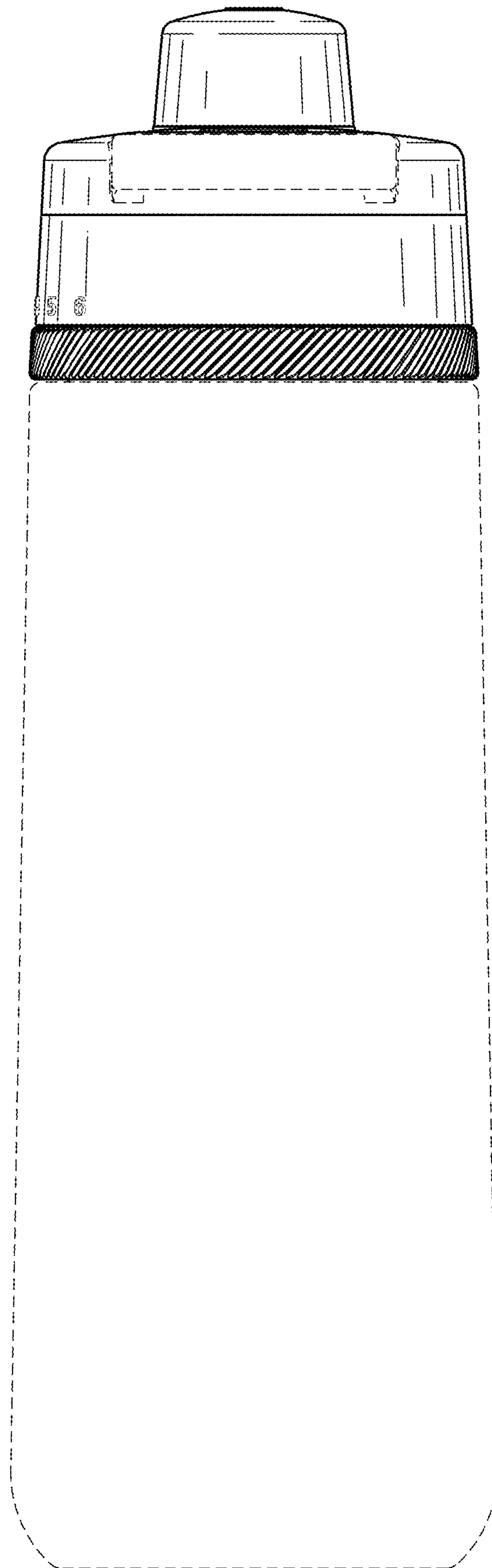


FIG. 3

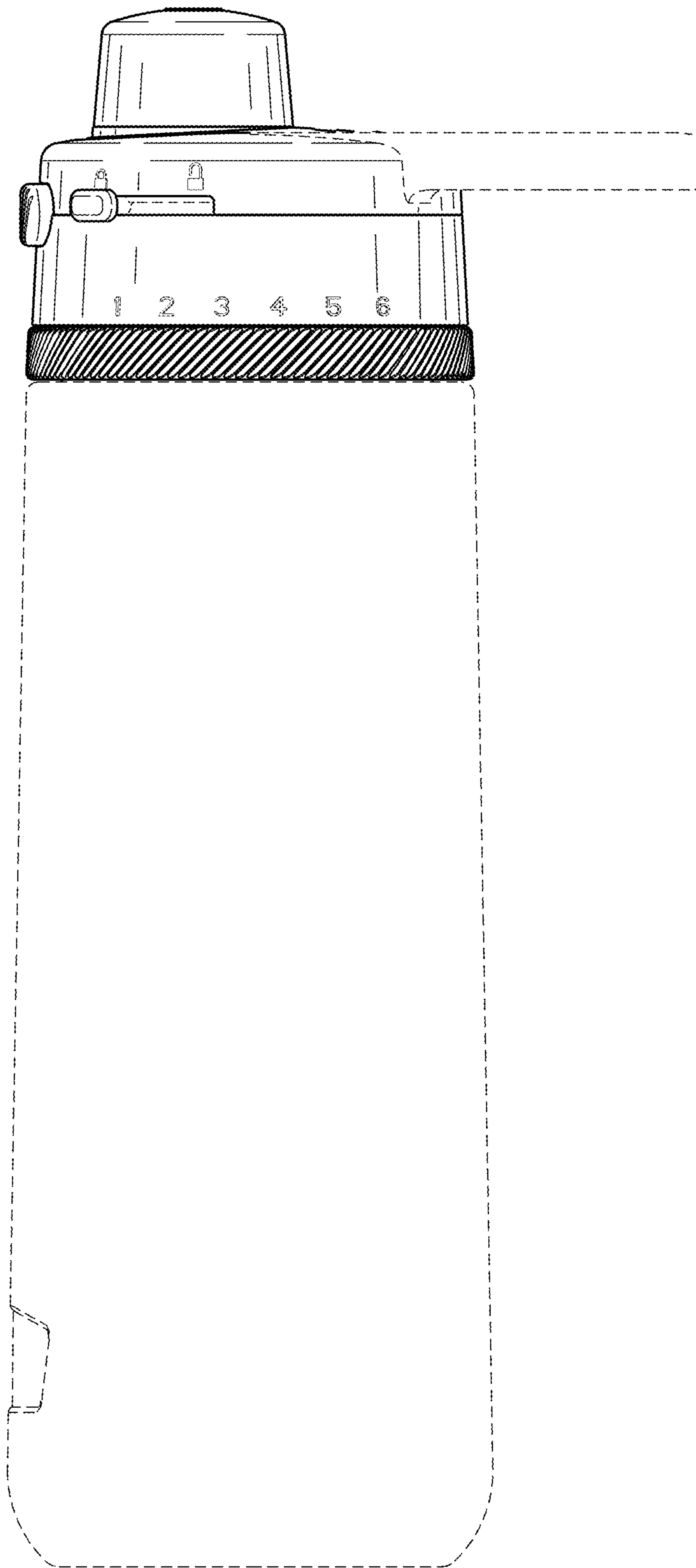


FIG. 4



FIG. 5

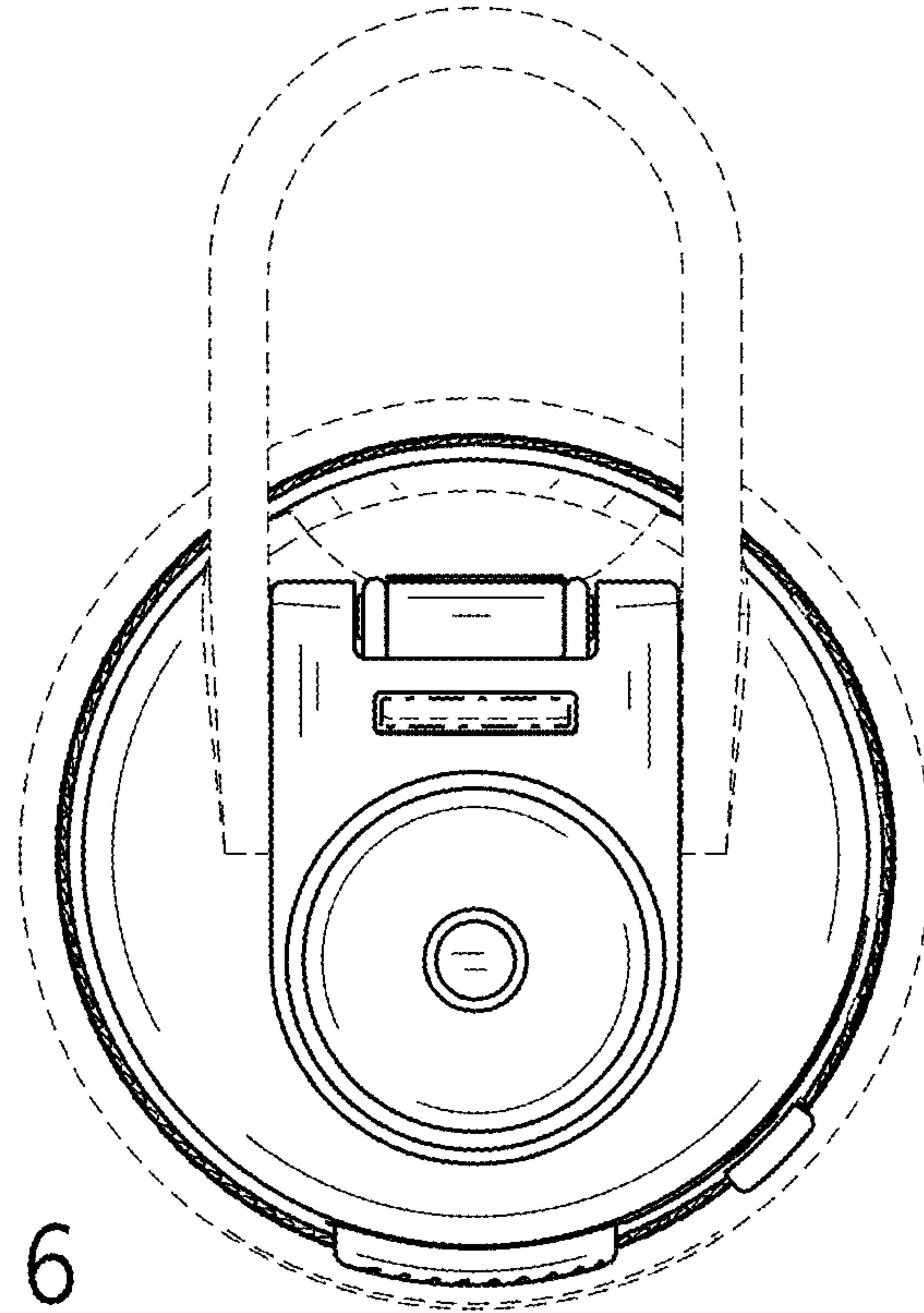


FIG. 6

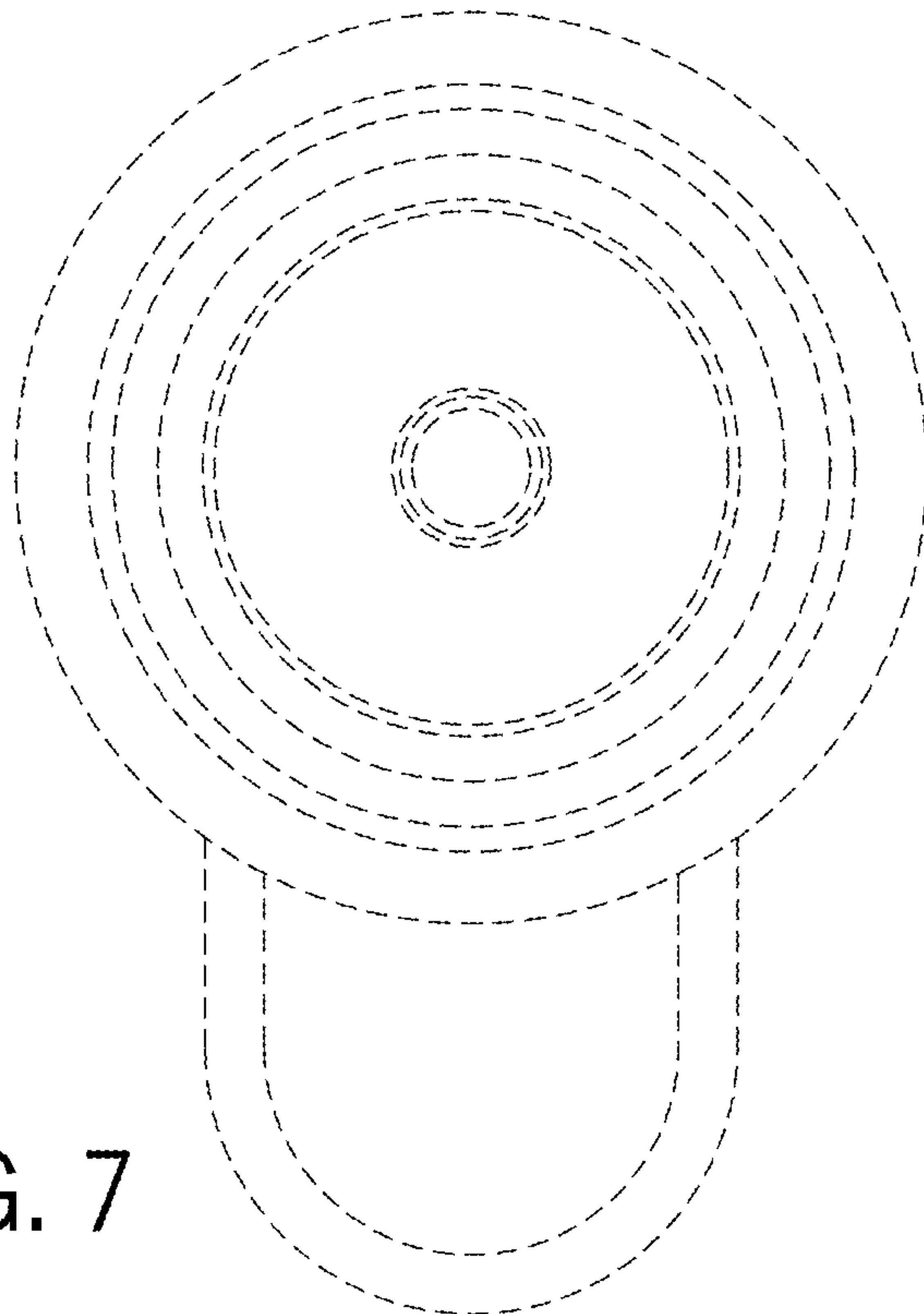


FIG. 7

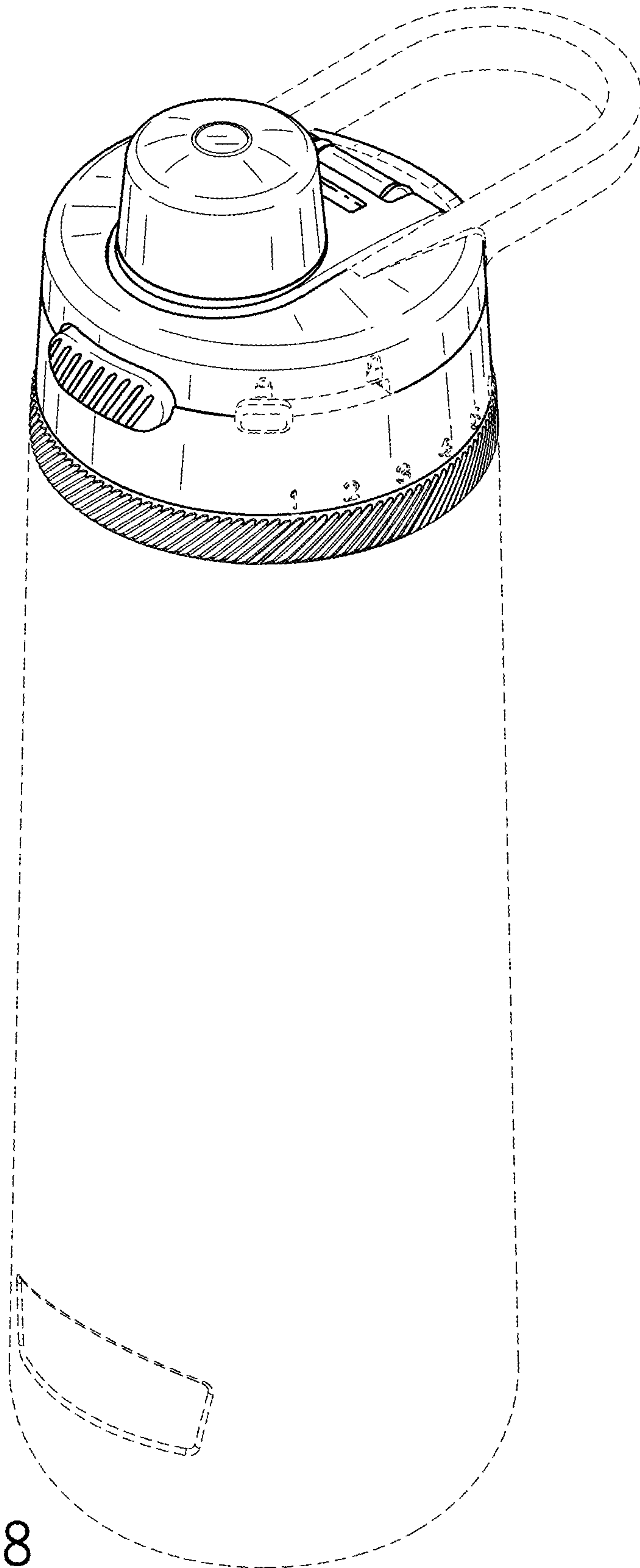


FIG. 8

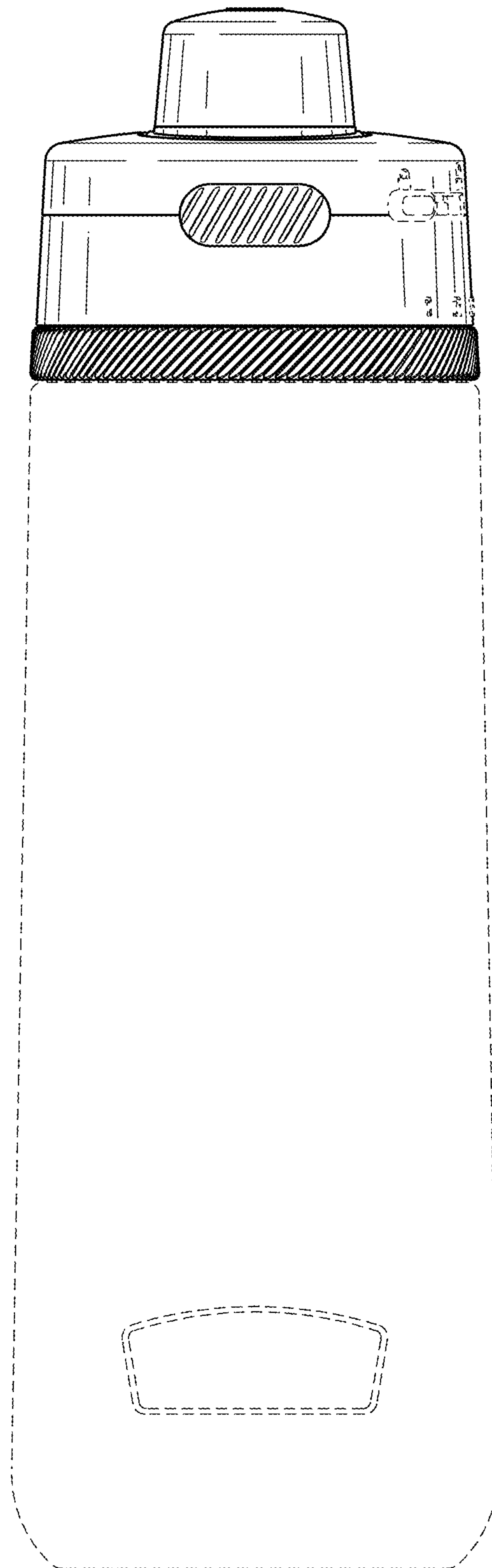


FIG. 9

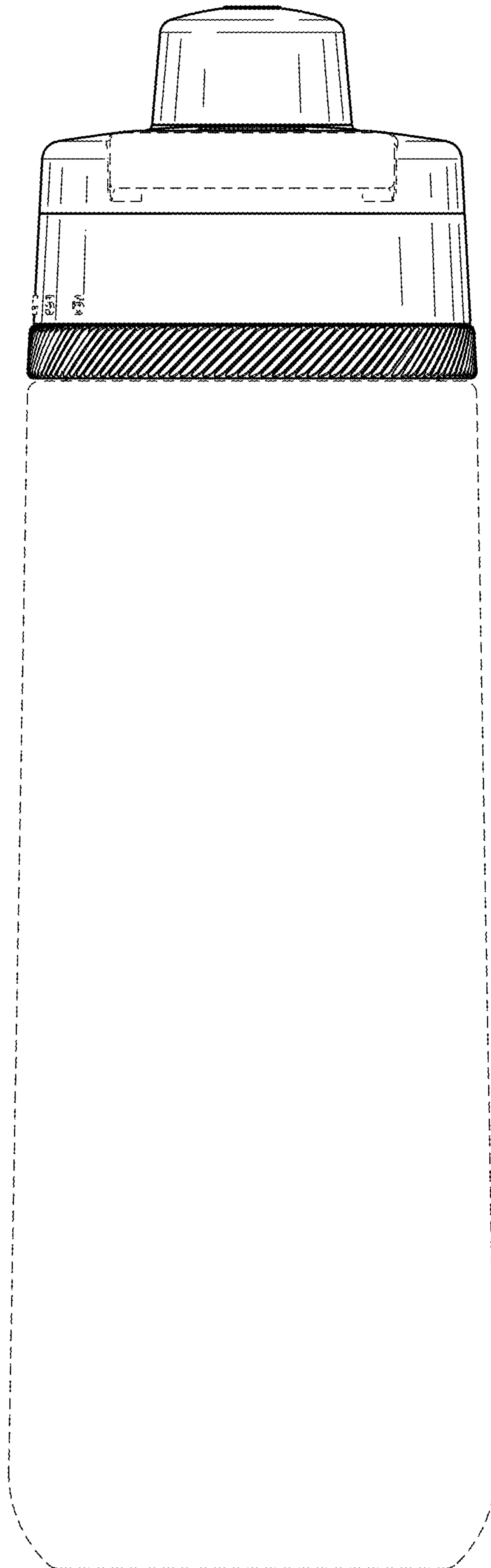


FIG. 10

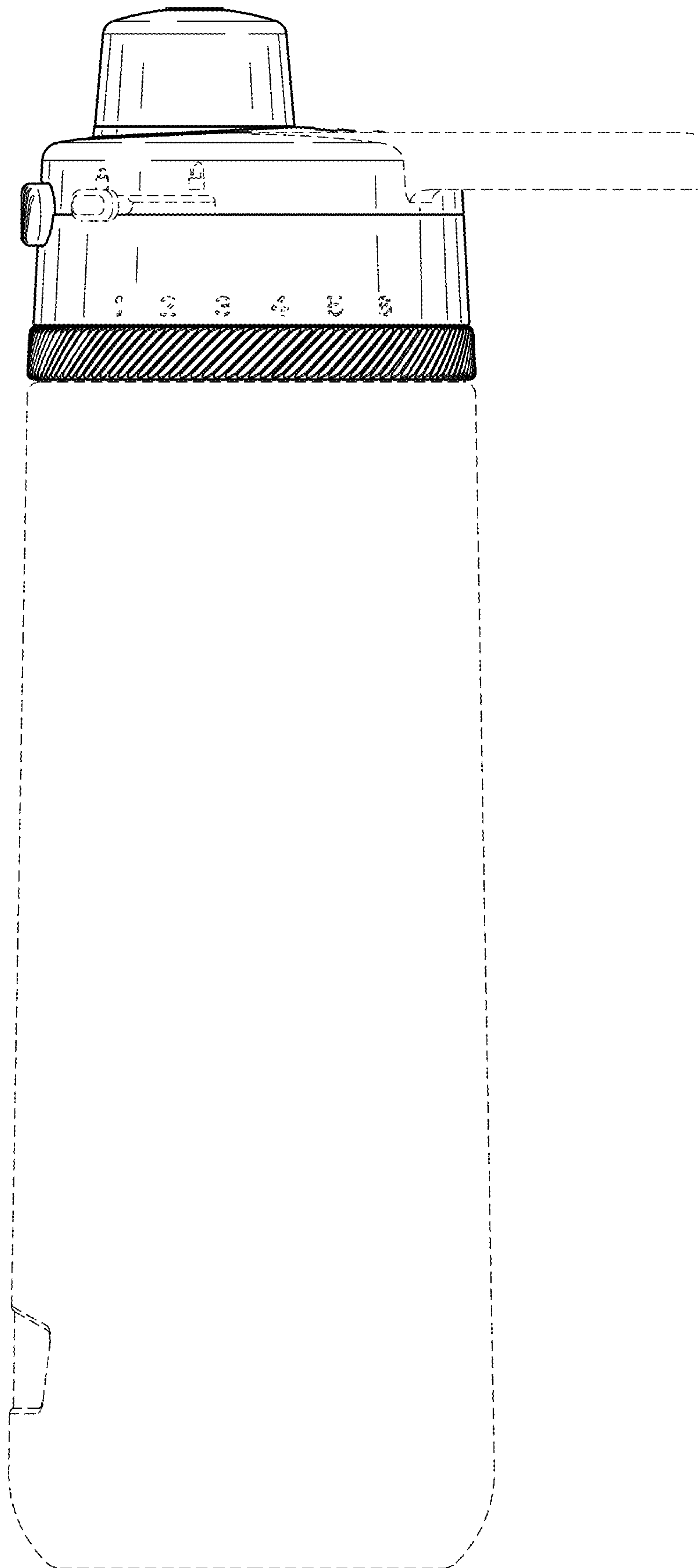


FIG. 11



FIG. 12

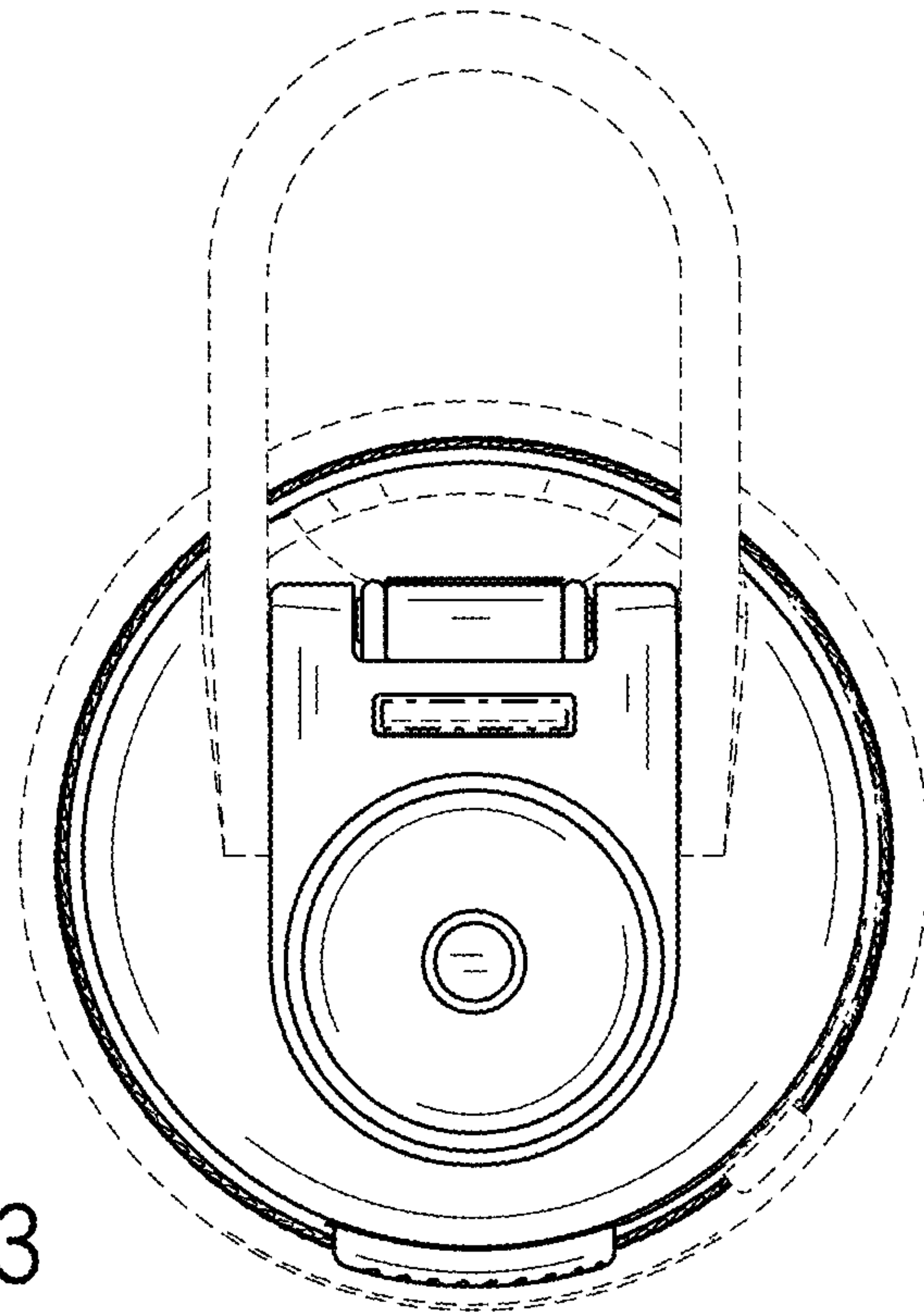


FIG. 13

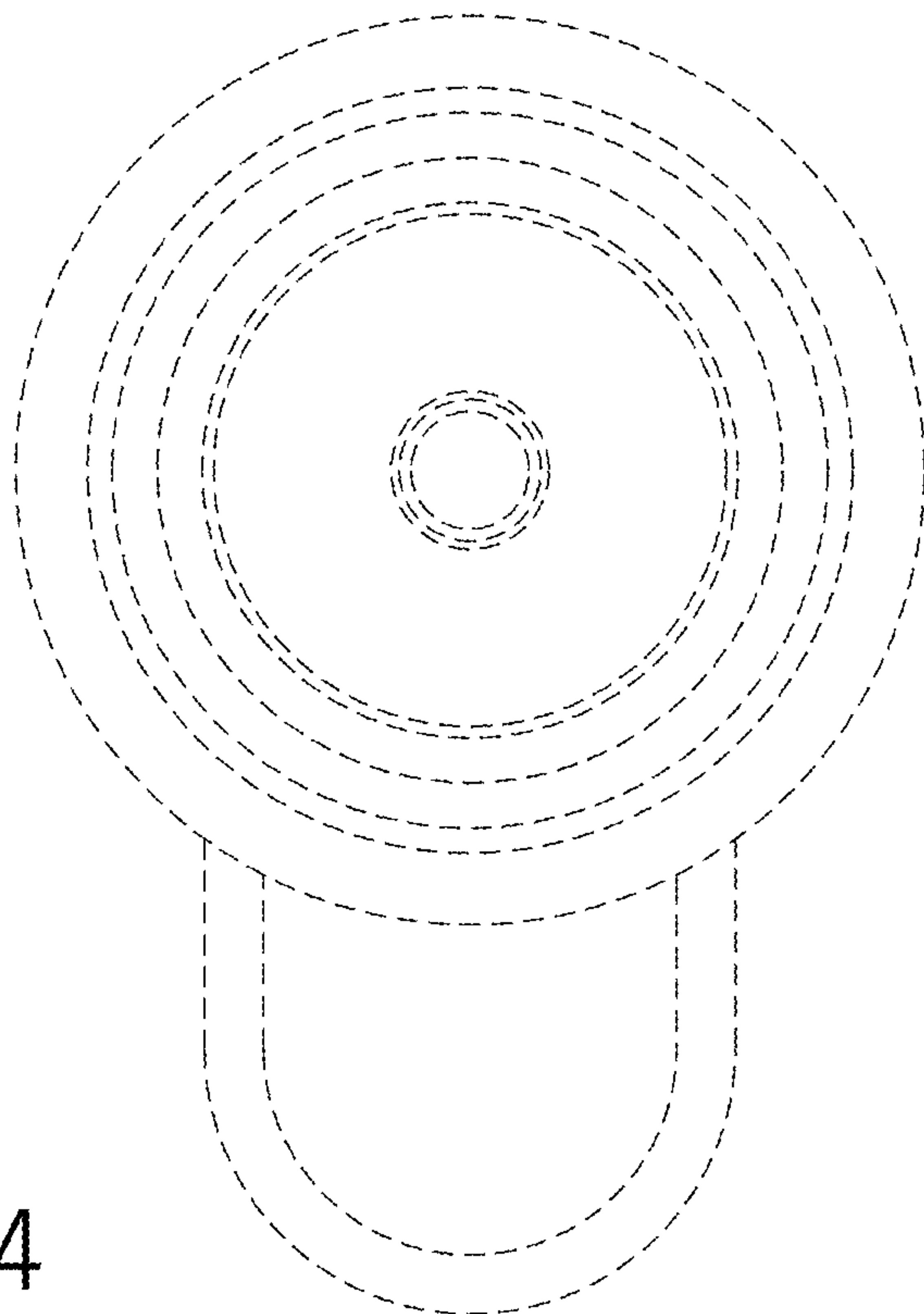


FIG. 14