



US00D879549S

(12) **United States Design Patent**  
**Zhang**

(10) **Patent No.:** **US D879,549 S**

(45) **Date of Patent:** **\*\* Mar. 31, 2020**

(54) **LID FOR CONTAINER**

(71) Applicant: **Jianzhong Zhang**, Shijiazhuang (CN)

(72) Inventor: **Jianzhong Zhang**, Shijiazhuang (CN)

(\*\*) Term: **15 Years**

(21) Appl. No.: **29/624,855**

(22) Filed: **Nov. 3, 2017**

(51) **LOC (12) Cl.** ..... **07-99**

(52) **U.S. Cl.**  
USPC ..... **D7/391; D7/392.1; D9/443**

(58) **Field of Classification Search**

USPC ..... D9/428, 429, 432, 434, 435, 436, 439,  
D9/440, 443, 444, 445, 447, 449-455,  
D9/499, 500, 503, 504, 705; D7/317,  
D7/387, 391, 392, 392.1, 393, 396.1,  
D7/396.2, 509-511, 538, 900, 629;  
D3/202, 203.2, 294, 302, 318; D28/91  
CPC .. A61J 1/00; A61J 1/1412; B65D 1/00; B65D  
1/02; B65D 1/10; B65D 1/46; B65D  
2585/56; B65D 2585/545; B65D 41/00;  
B65D 41/38; B65D 41/56; B65D 41/62;  
B65D 47/00; B65D 47/06; B65D 47/08;  
B65D 2543/00046; B65D 2543/00092;  
B65D 2543/00296; B65D 5/46; B65D  
2251/00

See application file for complete search history.

(56) **References Cited**

**U.S. PATENT DOCUMENTS**

D483,622 S \* 12/2003 Kim ..... D7/629  
6,793,096 B1 \* 9/2004 Seok ..... B65D 43/0218  
220/326  
D500,227 S \* 12/2004 Seok ..... D7/392.1  
D544,762 S \* 6/2007 Zimmerman ..... D7/601  
D549,519 S \* 8/2007 Moon ..... D7/391  
D556,517 S \* 12/2007 Lown ..... D7/629

D562,083 S \* 2/2008 Lown ..... D7/629  
D610,878 S \* 3/2010 Kim ..... D7/629  
D610,879 S \* 3/2010 Kim ..... D7/629  
D615,821 S \* 5/2010 Stamper ..... D7/538  
D646,127 S \* 10/2011 Lindsay ..... D7/629  
D651,477 S \* 1/2012 Nie ..... D7/629  
D651,479 S \* 1/2012 Nie ..... D7/629  
D652,265 S \* 1/2012 Lindsay ..... D7/629  
D660,094 S \* 5/2012 Kyung ..... D7/629  
D660,095 S \* 5/2012 Kyung ..... D7/629  
D677,116 S \* 3/2013 Smyers ..... D7/391  
D682,609 S \* 5/2013 Lindsay ..... D7/392.1  
D698,614 S \* 2/2014 Duvigneau ..... D7/629  
D699,082 S \* 2/2014 Duvigneau ..... D7/629  
D700,010 S \* 2/2014 Duvigneau ..... D7/391  
D700,011 S \* 2/2014 Duvigneau ..... D7/391  
8,714,394 B2 \* 5/2014 Wulf ..... B65D 43/0212  
220/326  
D722,832 S \* 2/2015 Ra ..... D7/602  
D722,834 S \* 2/2015 Beckman ..... D7/629  
D803,631 S \* 11/2017 Min ..... D7/605  
D820,636 S \* 6/2018 Zhang ..... D7/392.1  
D828,083 S \* 9/2018 Zhang ..... D7/392.1

(Continued)

*Primary Examiner* — Michael A. Pratt

*Assistant Examiner* — Wendy L. Arminio

(74) *Attorney, Agent, or Firm* — Che-Yang Chen; Law  
Offices of Scott Warmuth

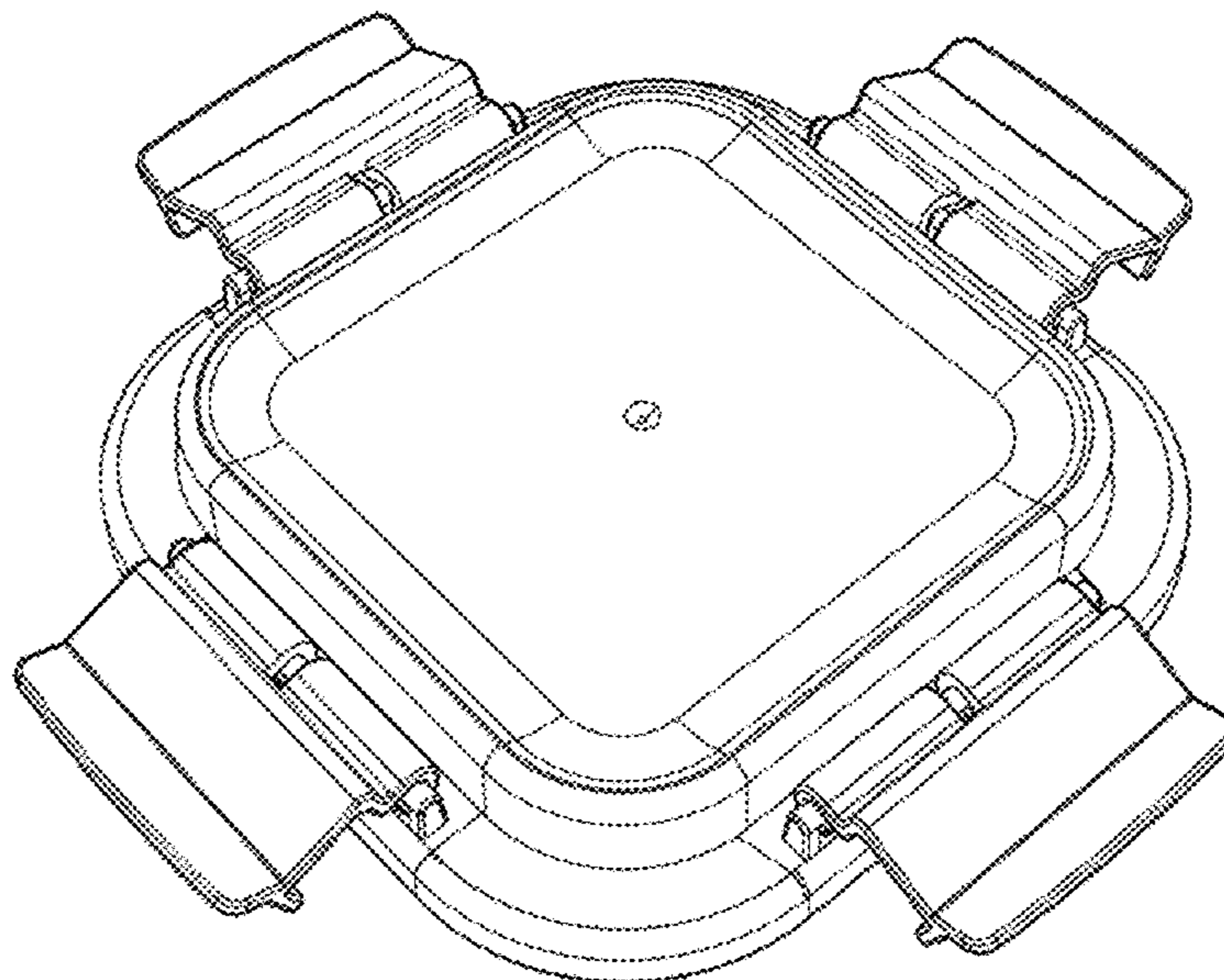
(57) **CLAIM**

The ornamental design for a lid for container, as shown and described.

**DESCRIPTION**

FIG. 1 is a perspective view of the lid for container showing my new design;  
FIG. 2 is a front/rear and side elevational view thereof;  
FIG. 3 is a top plan view thereof; and,  
FIG. 4 is a bottom plan view thereof.  
The broken lines depict portions of the lid for container that form no part of the claimed design.

**1 Claim, 4 Drawing Sheets**



(56)

**References Cited**

U.S. PATENT DOCUMENTS

D828,084	S	*	9/2018	Zhang	.....	D7/392.1
D828,716	S	*	9/2018	Zhang	.....	D7/392.1
D828,717	S	*	9/2018	Zhang	.....	D7/392.1
2004/0084464	A1	*	5/2004	Koo	.....	B65D 43/0218 220/784
2009/0218360	A1	*	9/2009	Suk	.....	B65D 43/0212 220/784
2012/0267369	A1	*	10/2012	Duvigneau	.....	B29C 45/0081 220/203.01
2013/0233854	A1	*	9/2013	Smyers	.....	B65D 53/00 220/240
2014/0103033	A1	*	4/2014	Beckman	.....	B65D 25/04 220/4.01

\* cited by examiner

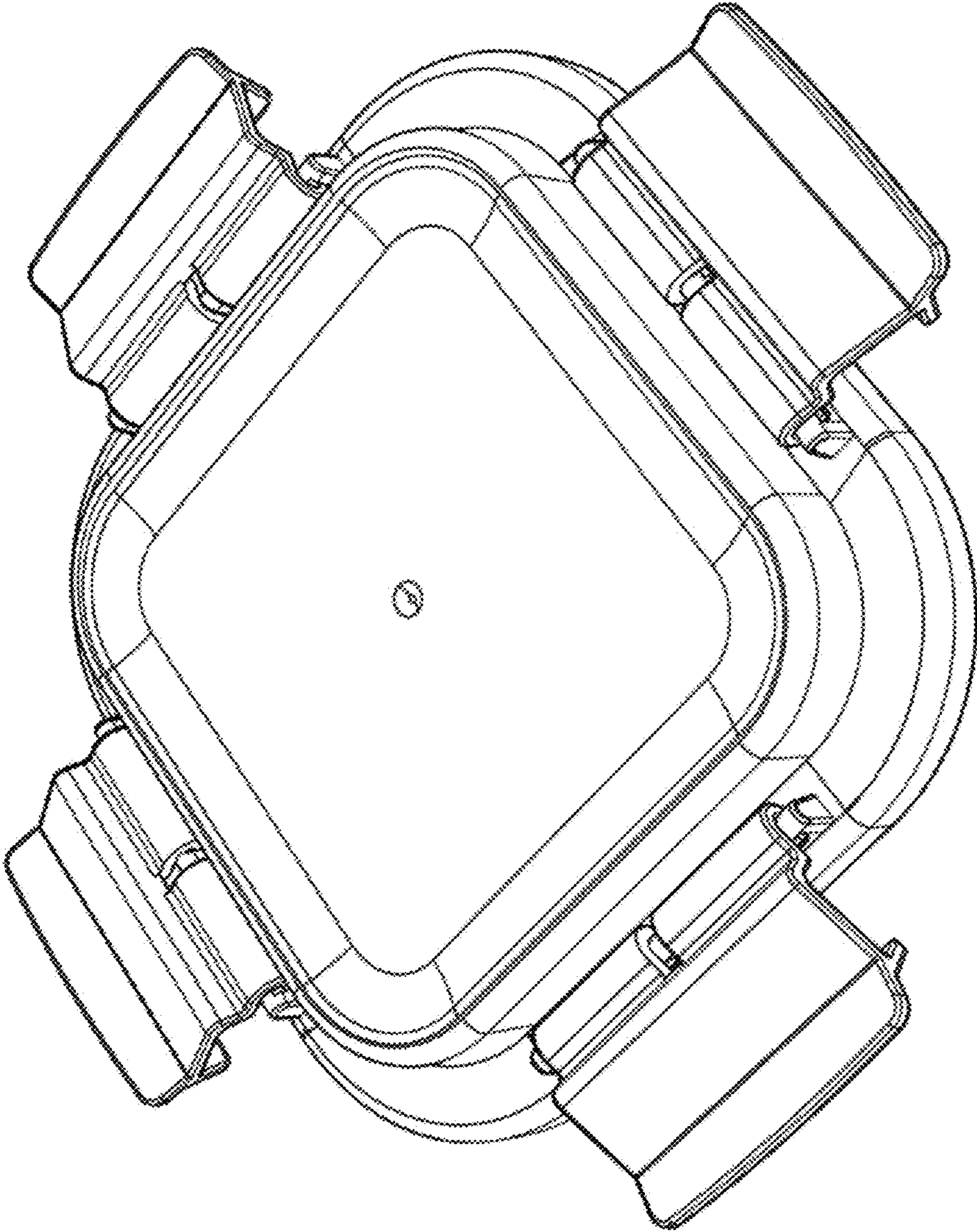


FIG. 1

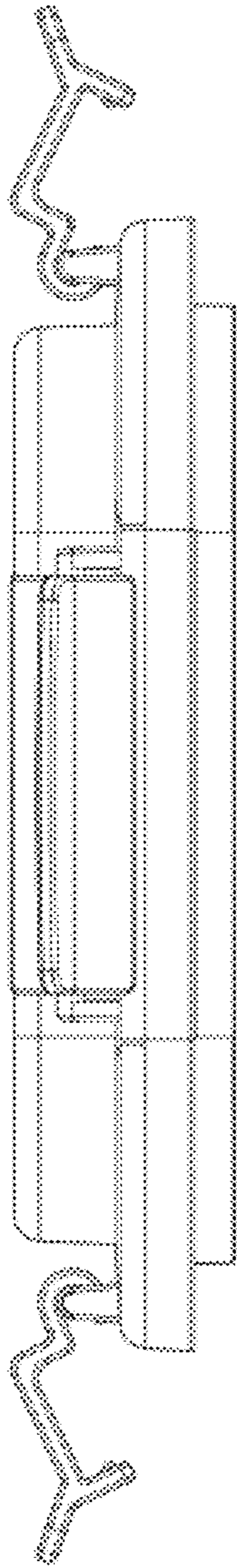


FIG. 2

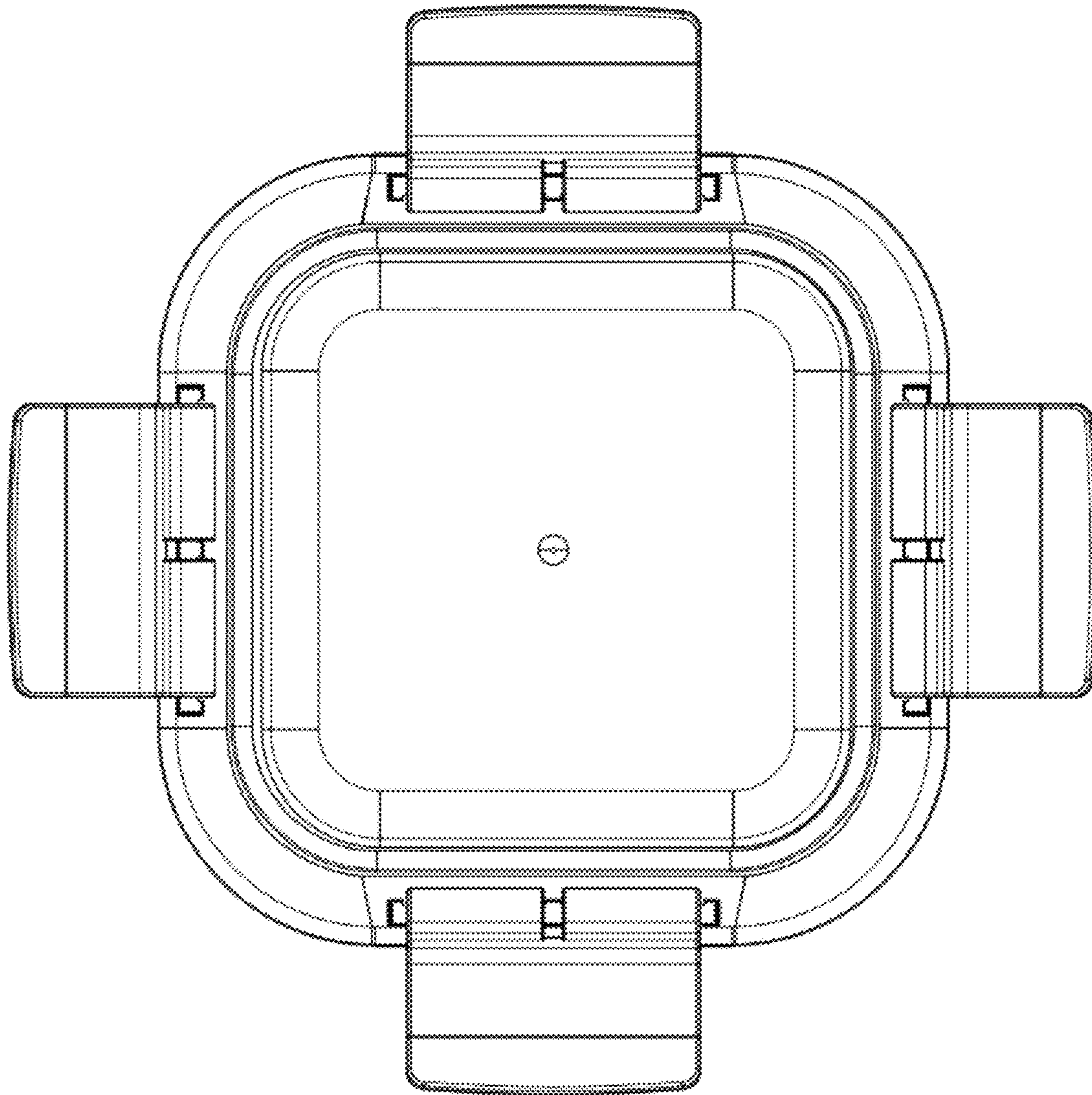


FIG. 3

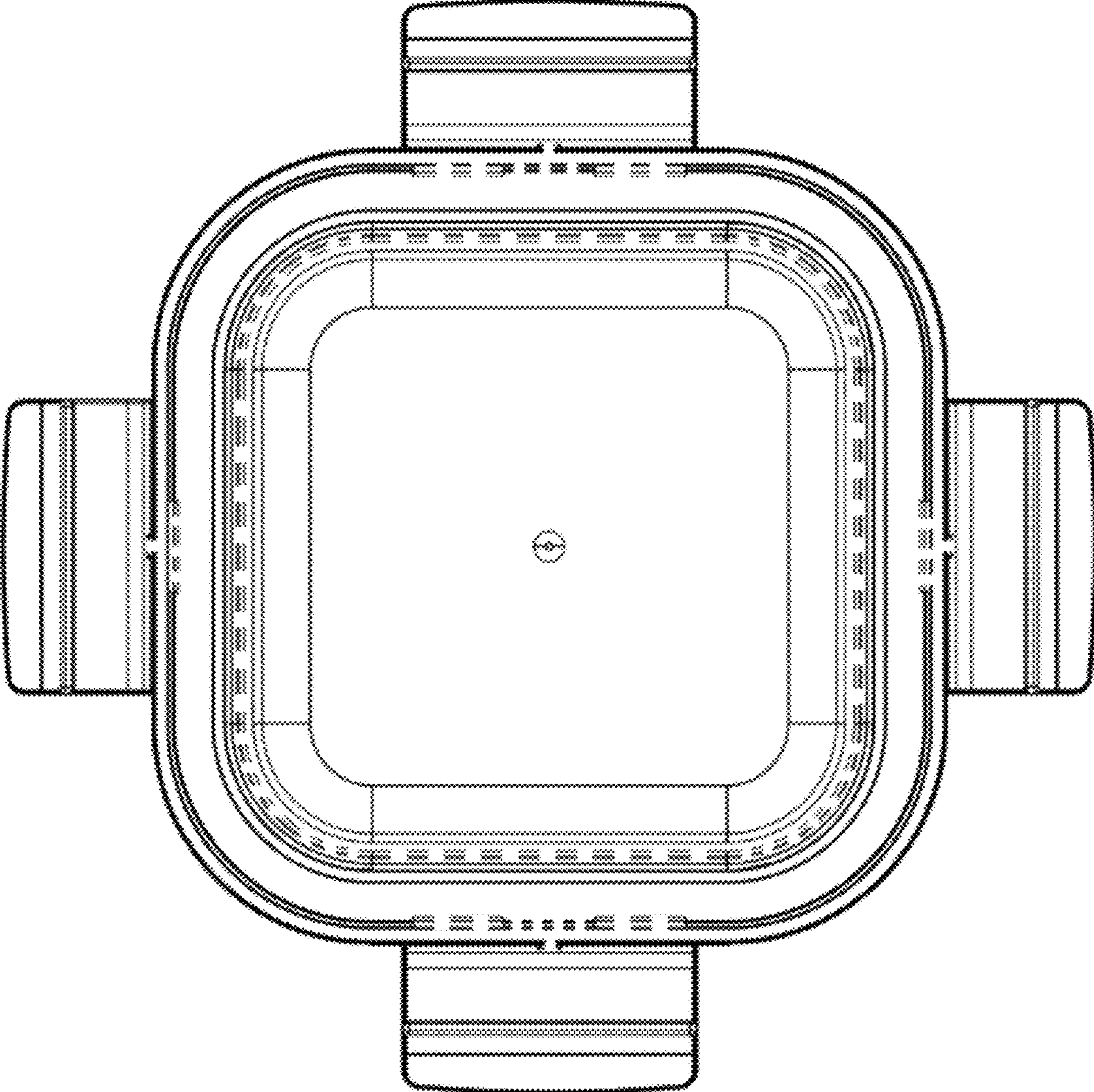


FIG. 4