



US00D879548S

(12) **United States Design Patent**
Saubert et al.

(10) **Patent No.: US D879,548 S**
(45) **Date of Patent: ** Mar. 31, 2020**

(54) **STAND MIXER**

4/423; B02C 13/1835; B28C 5/10; B28C 5/12; B28C 5/14; B28C 5/16

See application file for complete search history.

(71) Applicant: **Transform SR Brands LLC**, Hoffman Estates, IL (US)

(56) **References Cited**

(72) Inventors: **Michael Saubert**, Hoffman Estates, IL (US); **Michael Seskauskas**, Lemont, IL (US)

U.S. PATENT DOCUMENTS

1,764,404 A * 6/1930 Hileman A47J 43/06 366/222
D438,052 S * 2/2001 Po-Hei D7/379
(Continued)

(73) Assignee: **Transform SR Brands LLC**, Hoffman Estates, IL (US)

Primary Examiner — Ricky Pham

(74) *Attorney, Agent, or Firm* — McAndrews, Held & Malloy, Ltd.

(**) Term: **15 Years**

(57) **CLAIM**

(21) Appl. No.: **29/695,199**

The ornamental design for a stand mixer, as shown and described.

(22) Filed: **Jun. 17, 2019**

DESCRIPTION

Related U.S. Application Data

(63) Continuation of application No. 29/648,605, filed on May 22, 2018, now Pat. No. Des. 851,442.

(51) **LOC (12) Cl.** **31-00**

(52) **U.S. Cl.**

USPC **D7/379**; D7/376; D7/384

(58) **Field of Classification Search**

USPC D7/323, 372, 376–386, 412–413, 602, D7/629, 665–666, 669, 679, 693–694

CPC A21C 1/02; A21C 1/04; A23N 1/00; A23N 1/02; A47J 27/004; A47J 43/04; A47J 43/06; A47J 43/25; A47J 43/27; A47J 43/042; A47J 43/044; A47J 43/046; A47J 43/075; A47J 43/0705; A47J 43/0722; A47J 43/0727; B01F 3/00; B01F 3/0807; B01F 3/0853; B01F 13/0059; B01F 13/0064; B02C 1/08; B02C 2/04; B02C 4/42; B02C 4/142; B02C 4/143; B02C

FIG. 1 is a top-front perspective view of a stand mixer showing our new design according to a first embodiment; FIG. 2 is another top-front perspective view thereof; FIG. 3 is a front elevation view thereof; FIG. 4 is a rear elevation view thereof; FIG. 5 is a right side elevation view thereof; FIG. 6 is a left side elevation view thereof; FIG. 7 is a top plan view thereof; FIG. 8 is a bottom plan view thereof; FIG. 9 is a bottom-rear perspective view thereof; FIG. 10 is a bottom-front perspective view thereof; FIG. 11 is a front perspective view of a stand mixer showing our new design, shown in an upward open position for clarity and completeness of disclosure; FIG. 12 is another top-front perspective view thereof; FIG. 13 is a front elevation view thereof; FIG. 14 is a rear elevation view thereof; FIG. 15 is a right side elevation view thereof; FIG. 16 is a left side elevation view thereof; FIG. 17 is a top plan view thereof; FIG. 18 is a bottom plan view thereof; FIG. 19 is a bottom-rear perspective view thereof; and,

(Continued)

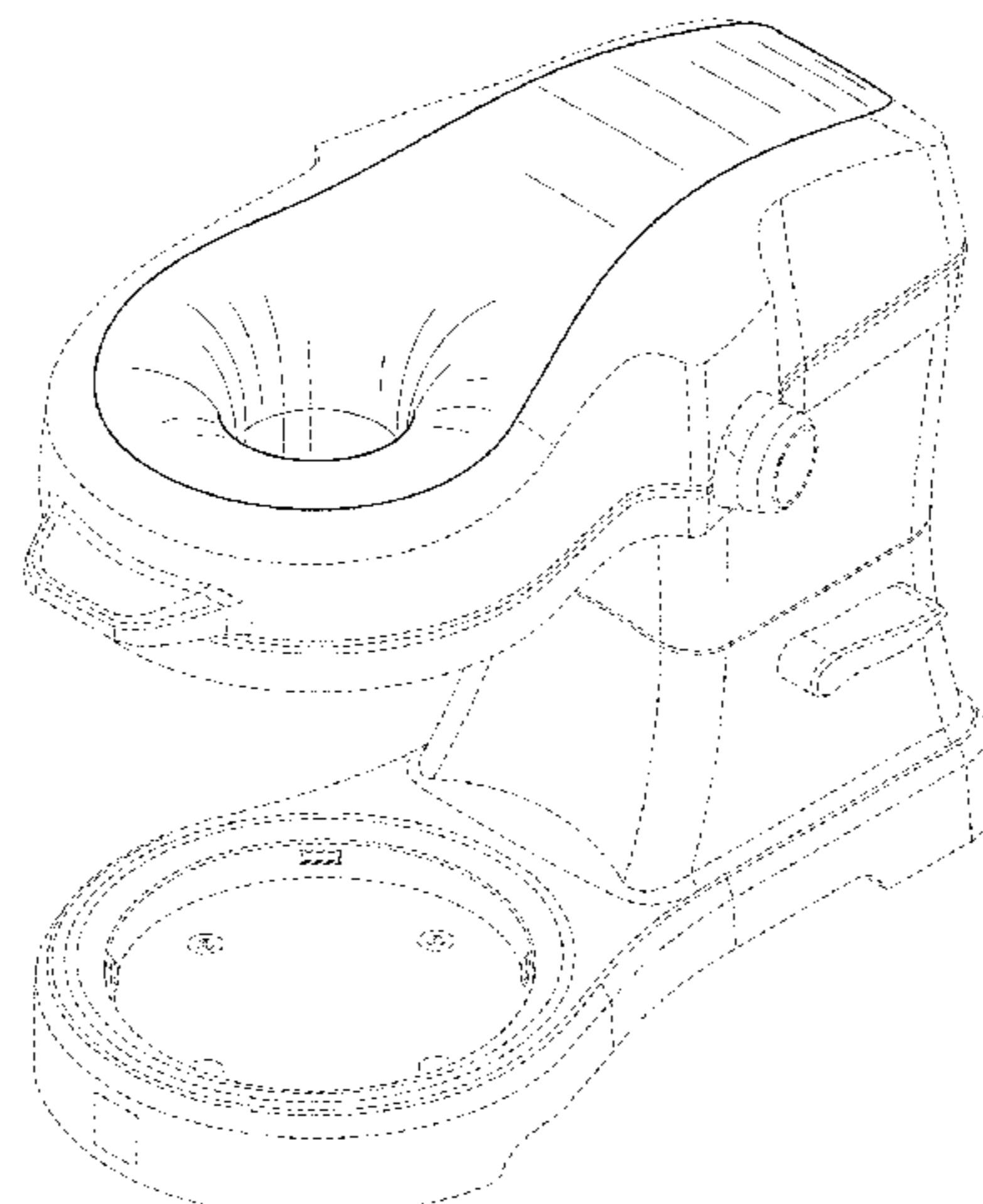


FIG. 20 is a bottom-front perspective view thereof.
The dashed broken lines in the figures illustrate portions of
the stand mixer that form no part of the claimed design.

1 Claim, 19 Drawing Sheets

(56) **References Cited**

U.S. PATENT DOCUMENTS

D612,195 S *	3/2010	Liu	D7/379
D623,468 S *	9/2010	Liu	D7/378
8,348,186 B2 *	1/2013	Seidler	A47J 27/004
				241/101.3
D677,520 S *	3/2013	Choi	D7/376
8,876,366 B2 *	11/2014	Saubert	A47J 43/0705
				366/197
D806,461 S *	1/2018	Upston	D7/323
D809,330 S *	2/2018	Liu	D7/373
D811,795 S *	3/2018	Upston	D7/323
D851,442 S *	6/2019	Saubert	D7/379
D851,443 S *	6/2019	Saubert	D7/379
2009/0067279 A1 *	3/2009	Mulle	A21C 1/02
				366/142

* cited by examiner

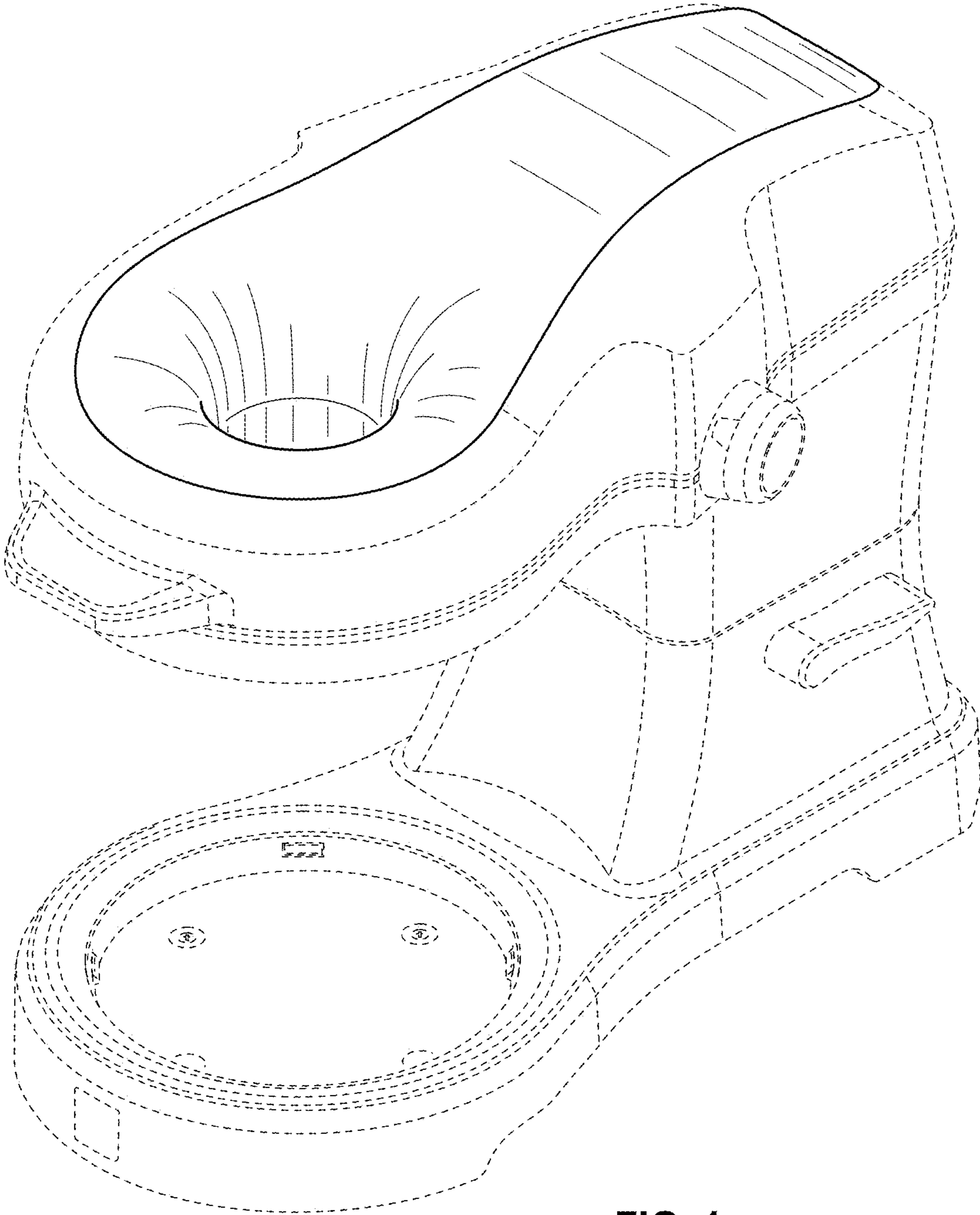


FIG. 1

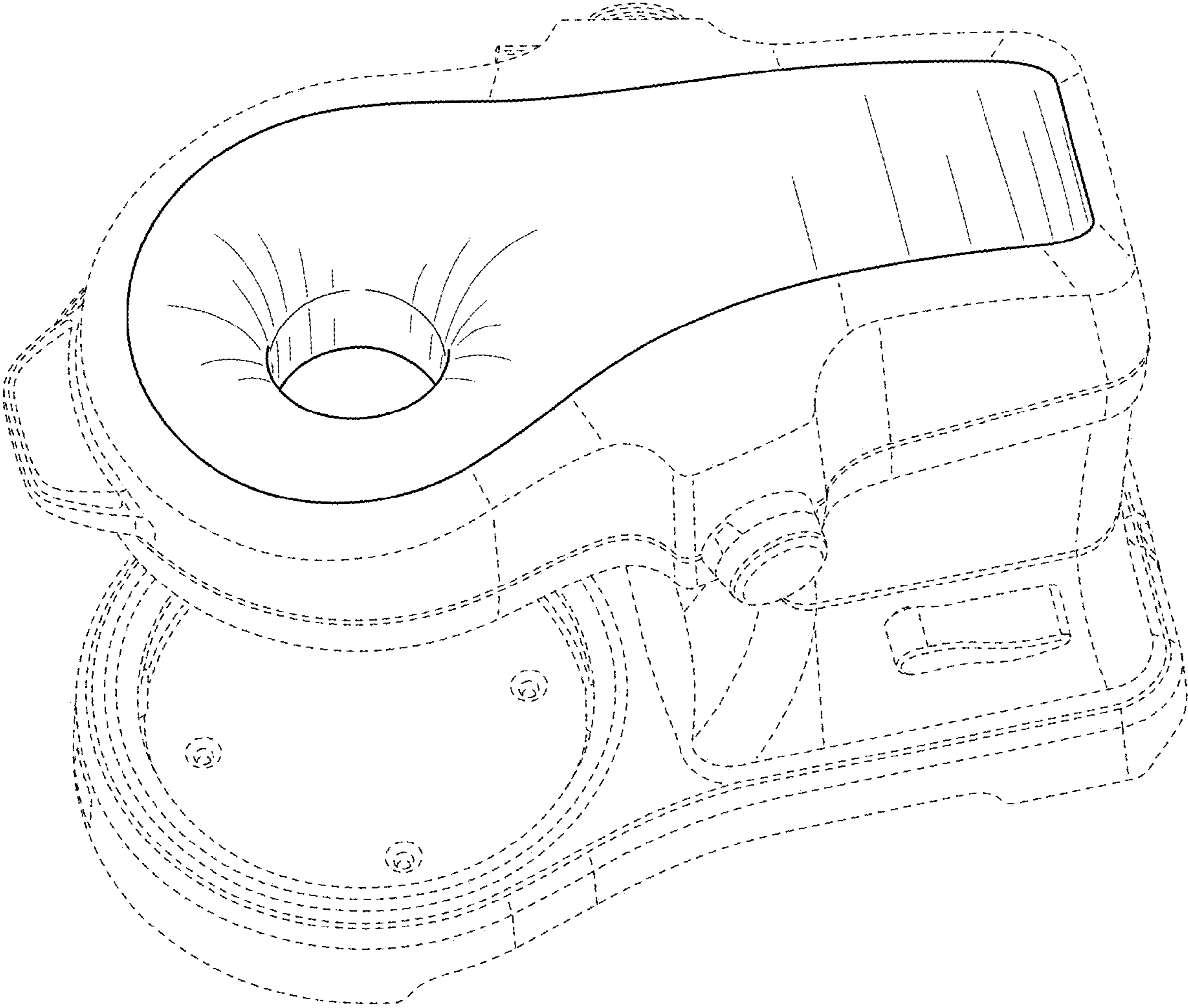


FIG. 2

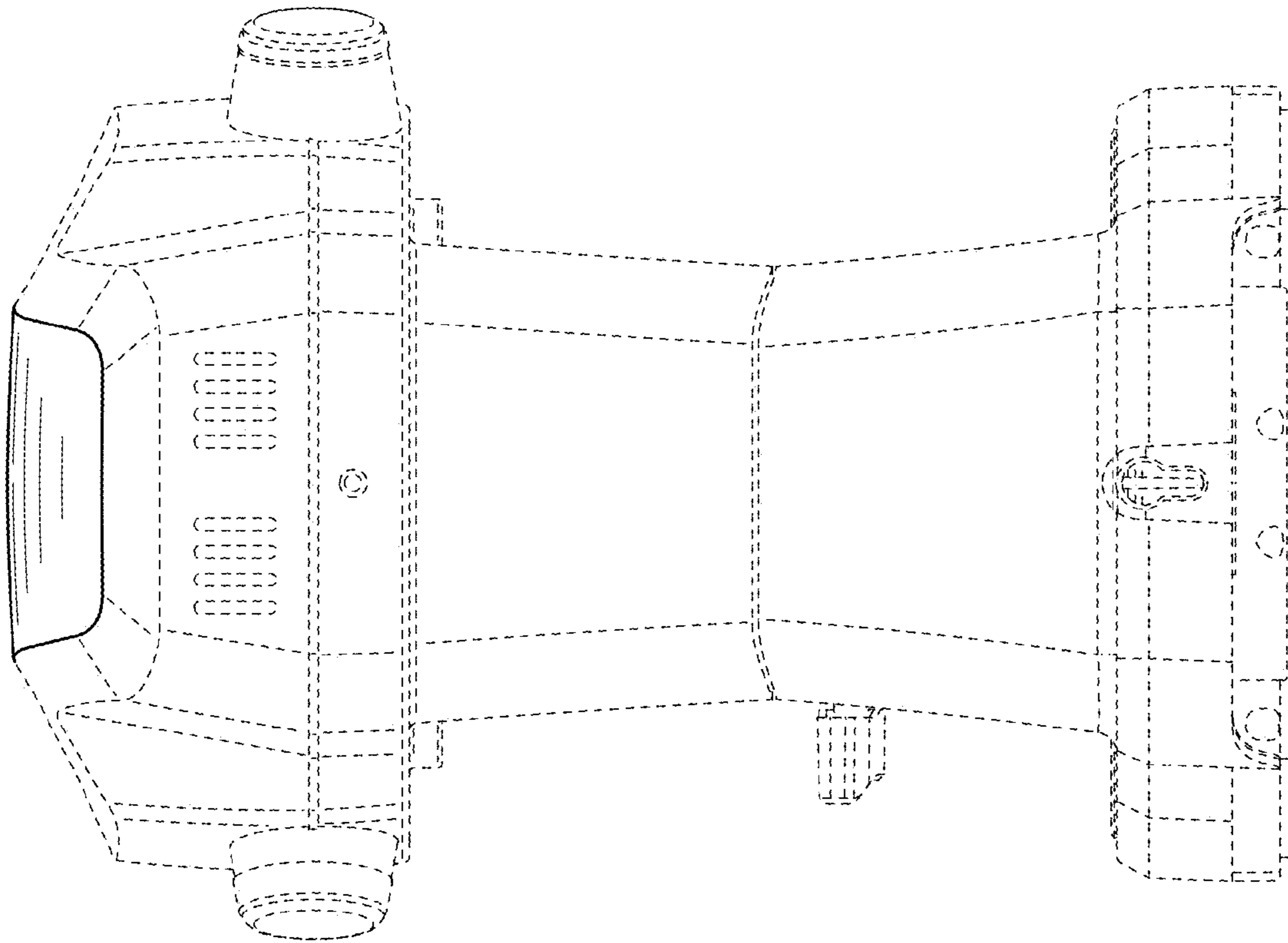


FIG. 4

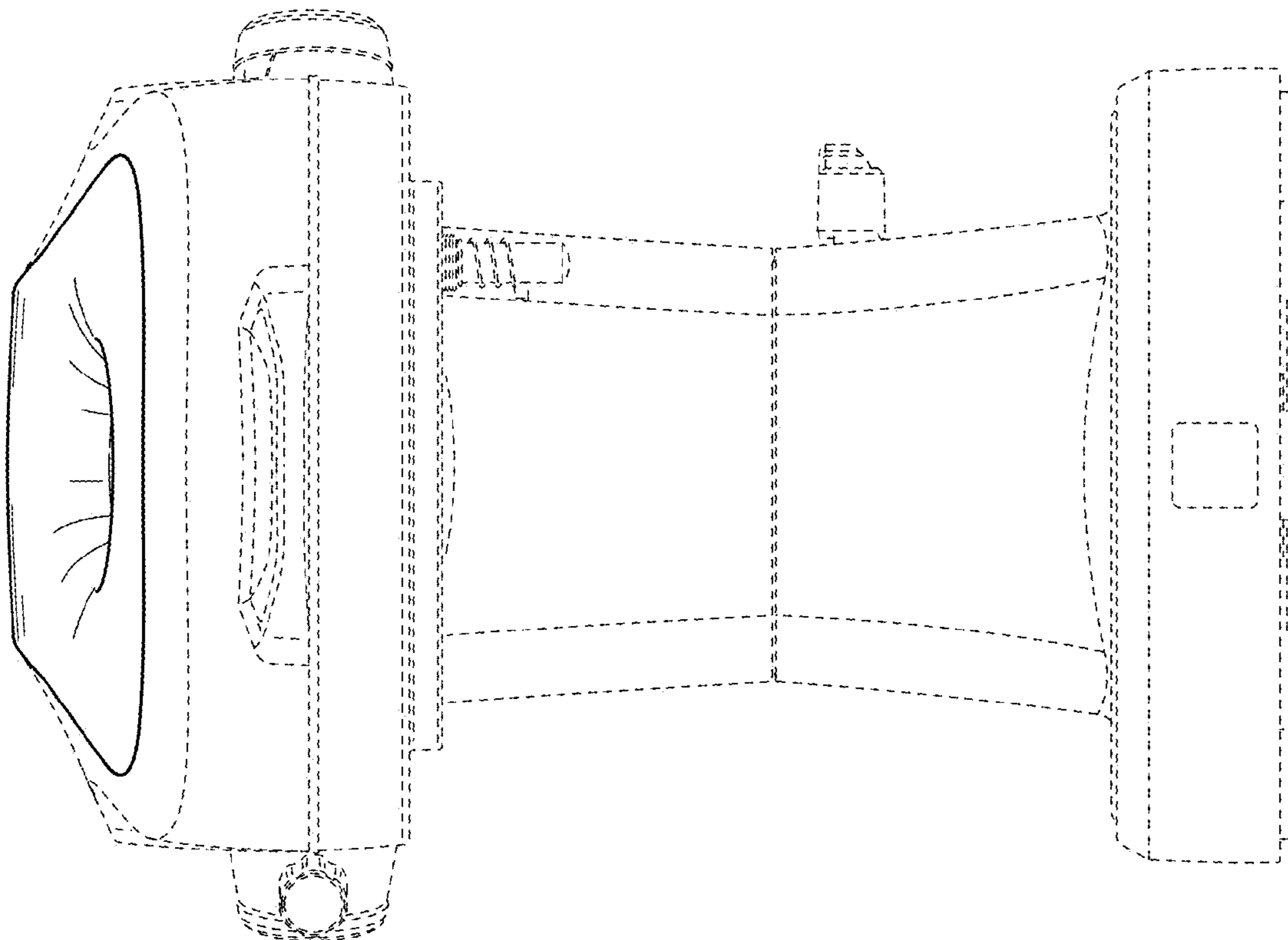


FIG. 3

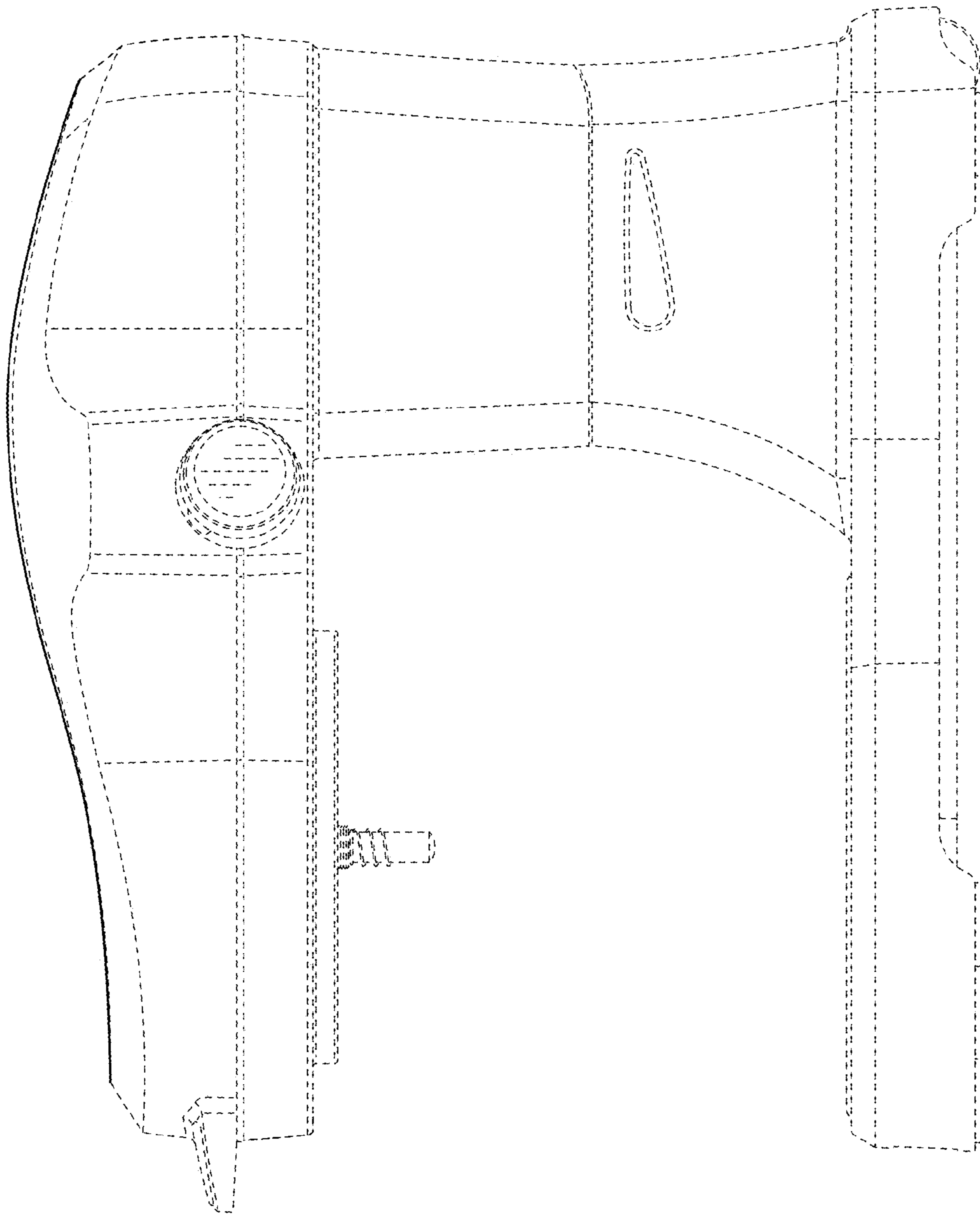


FIG. 5

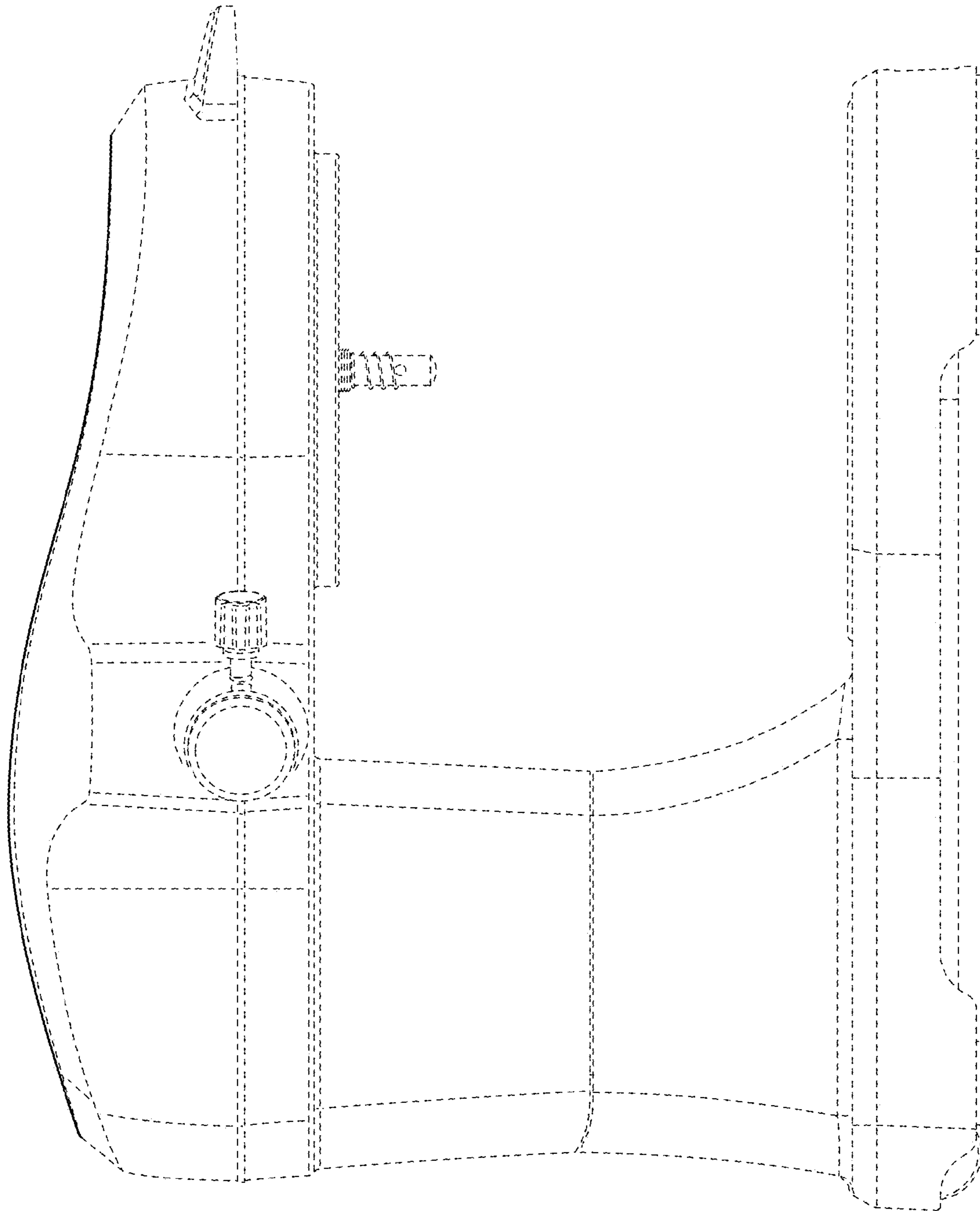


FIG. 6

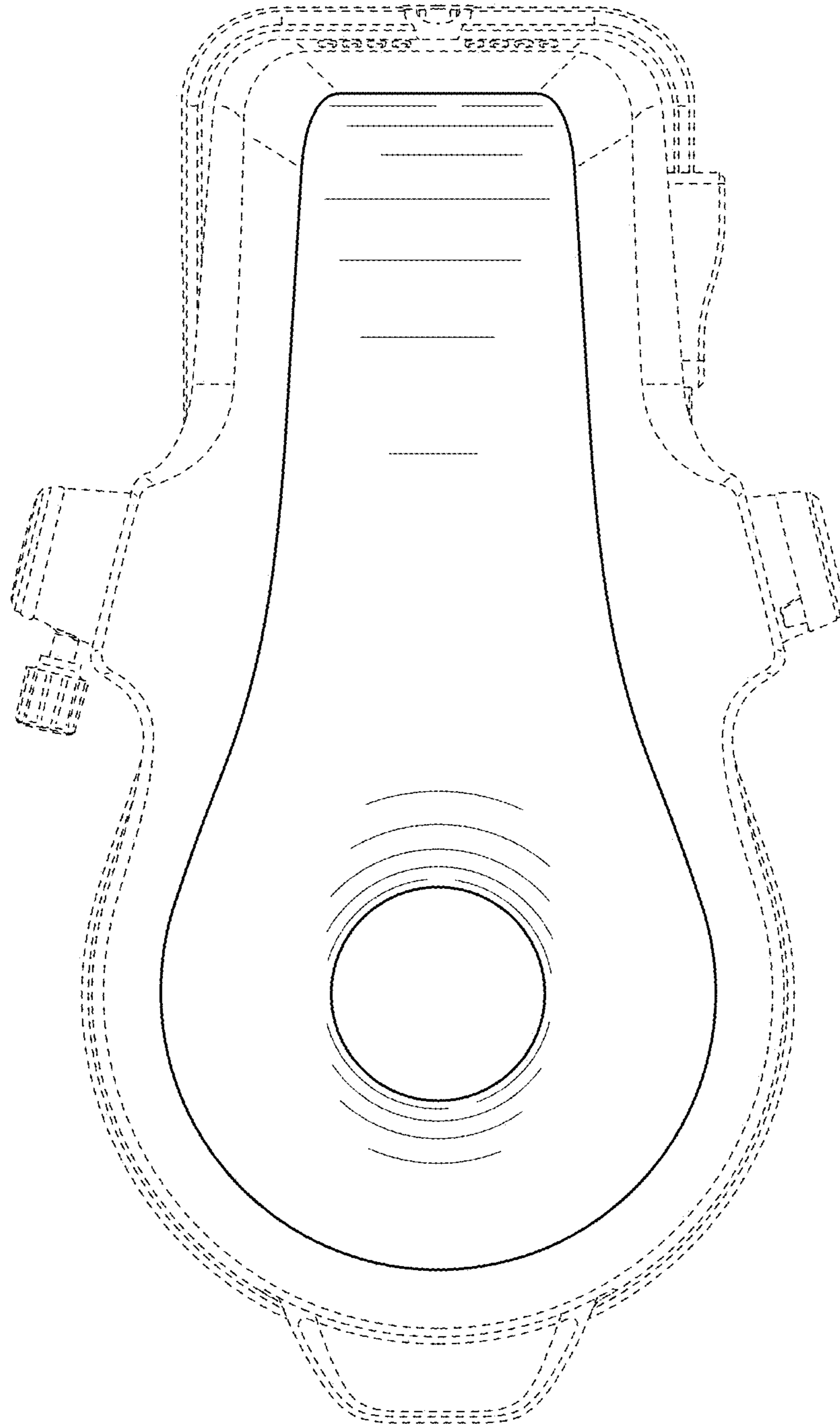


FIG. 7

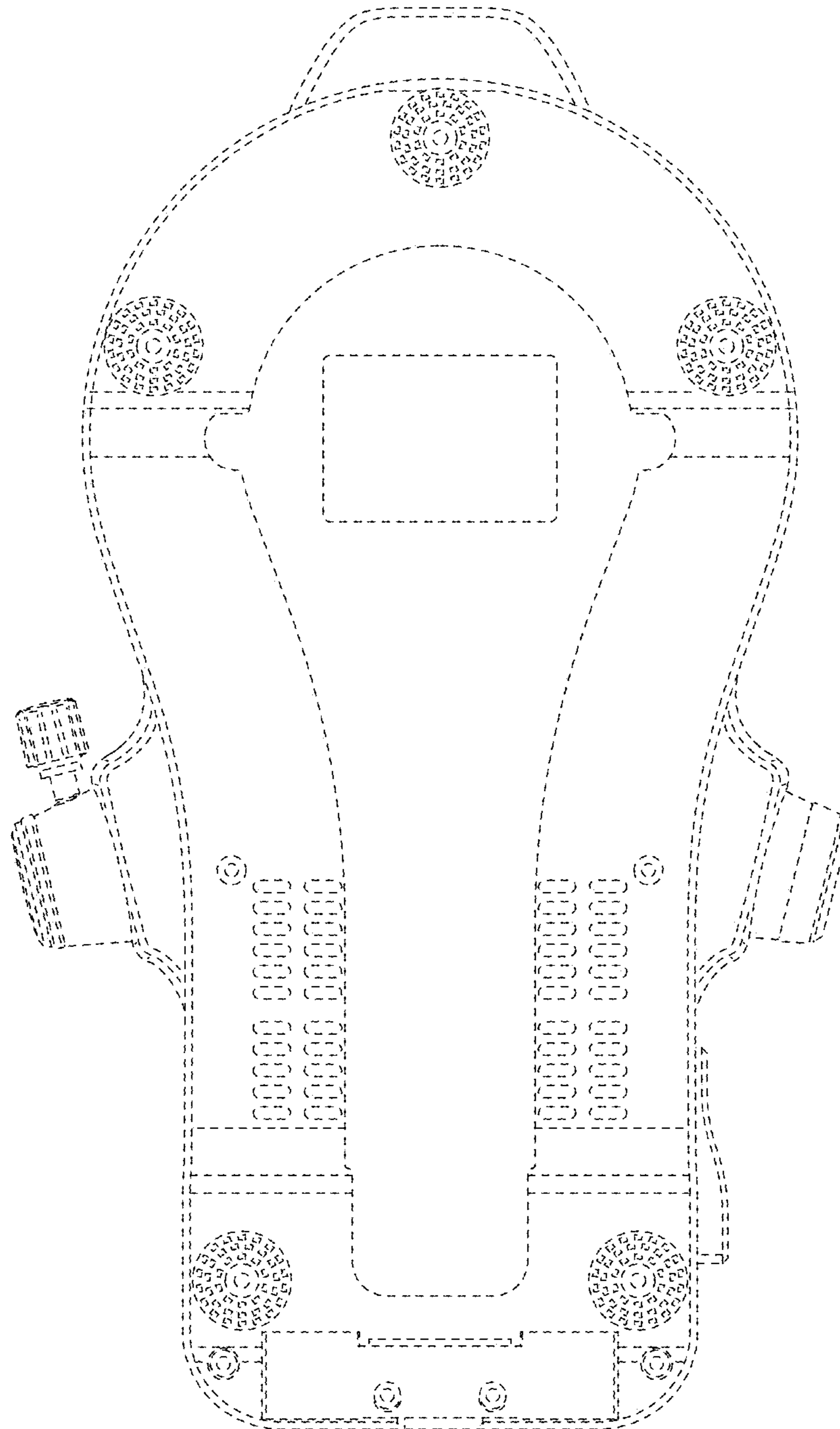


FIG. 8

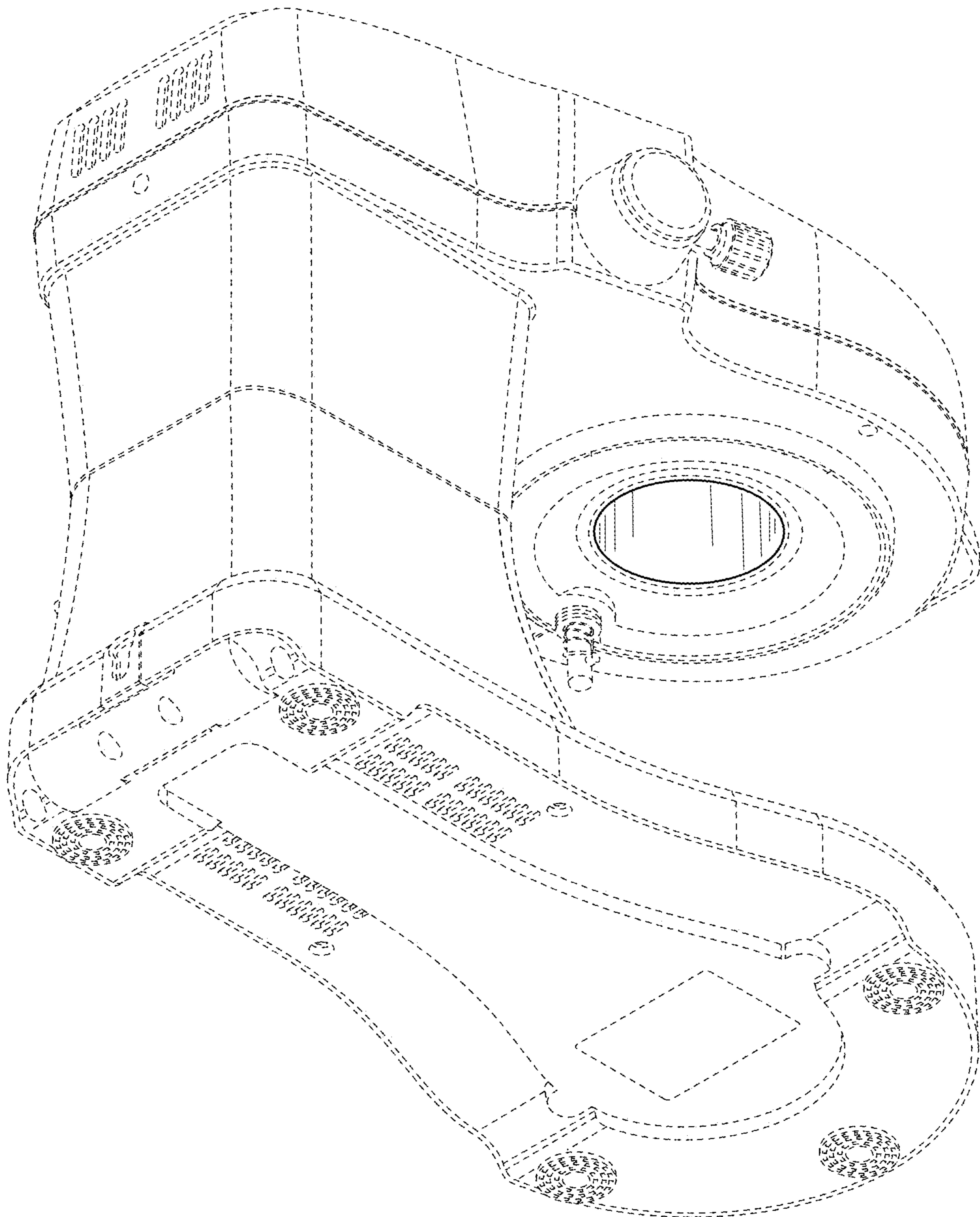


FIG. 9

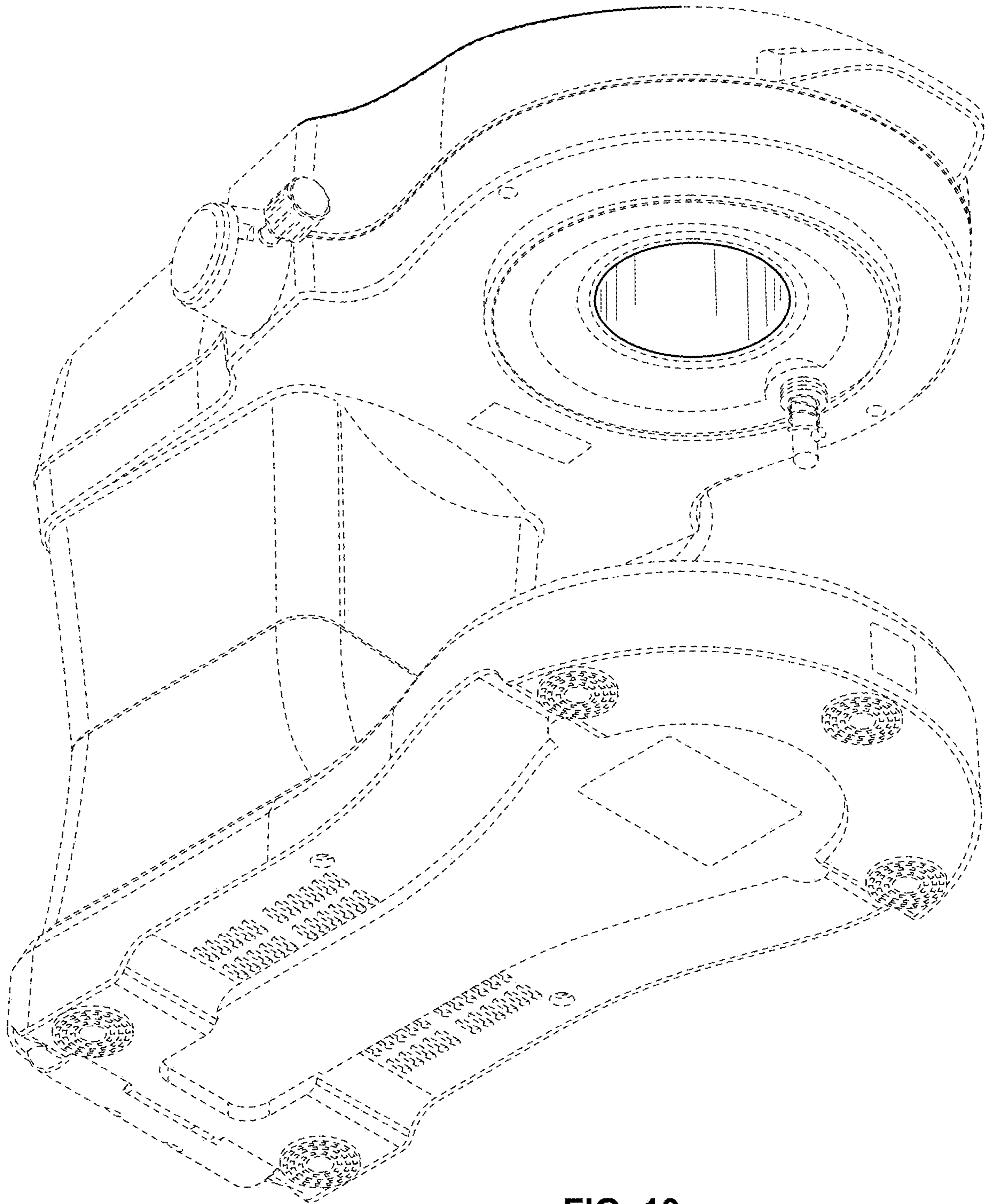


FIG. 10

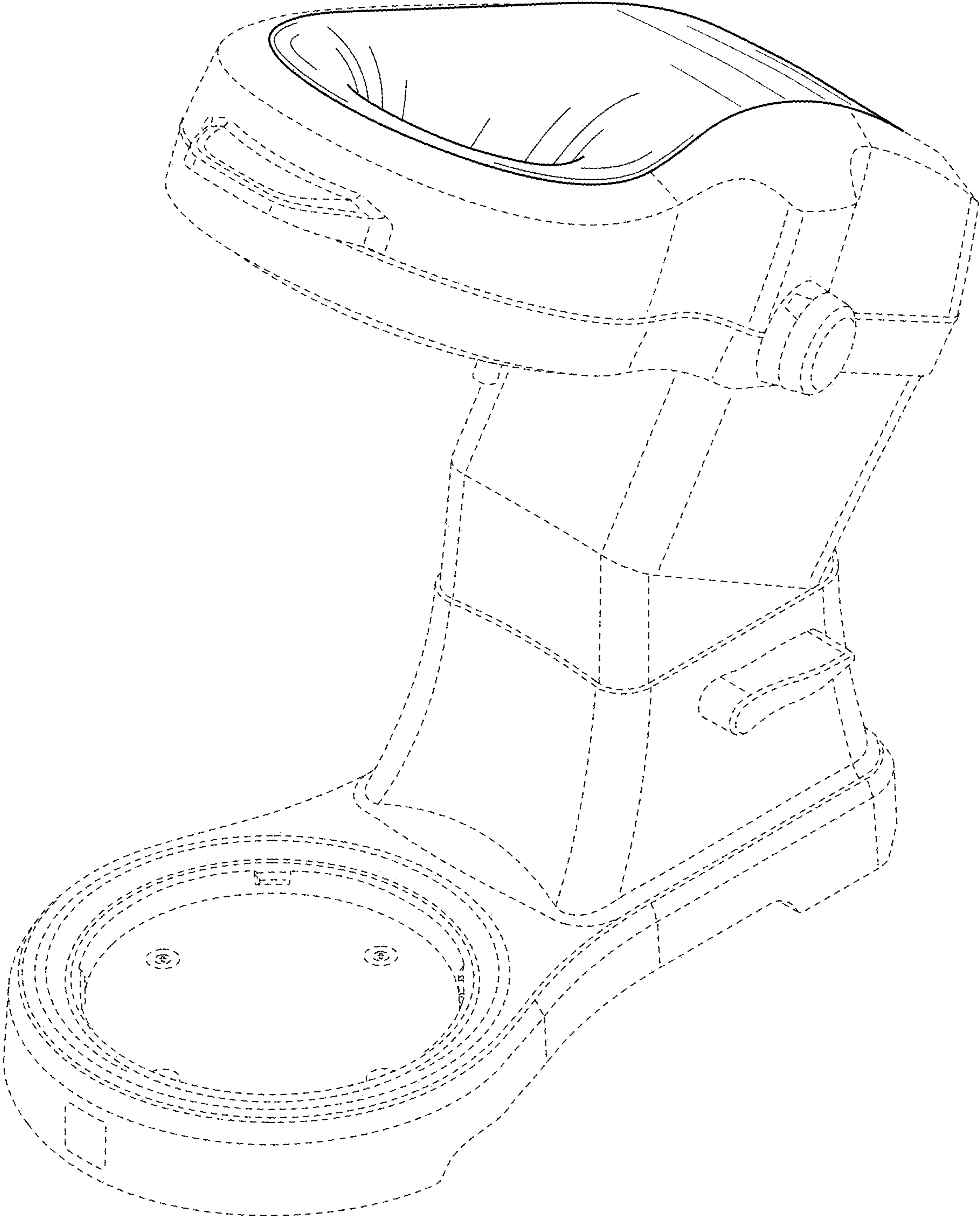


FIG. 11

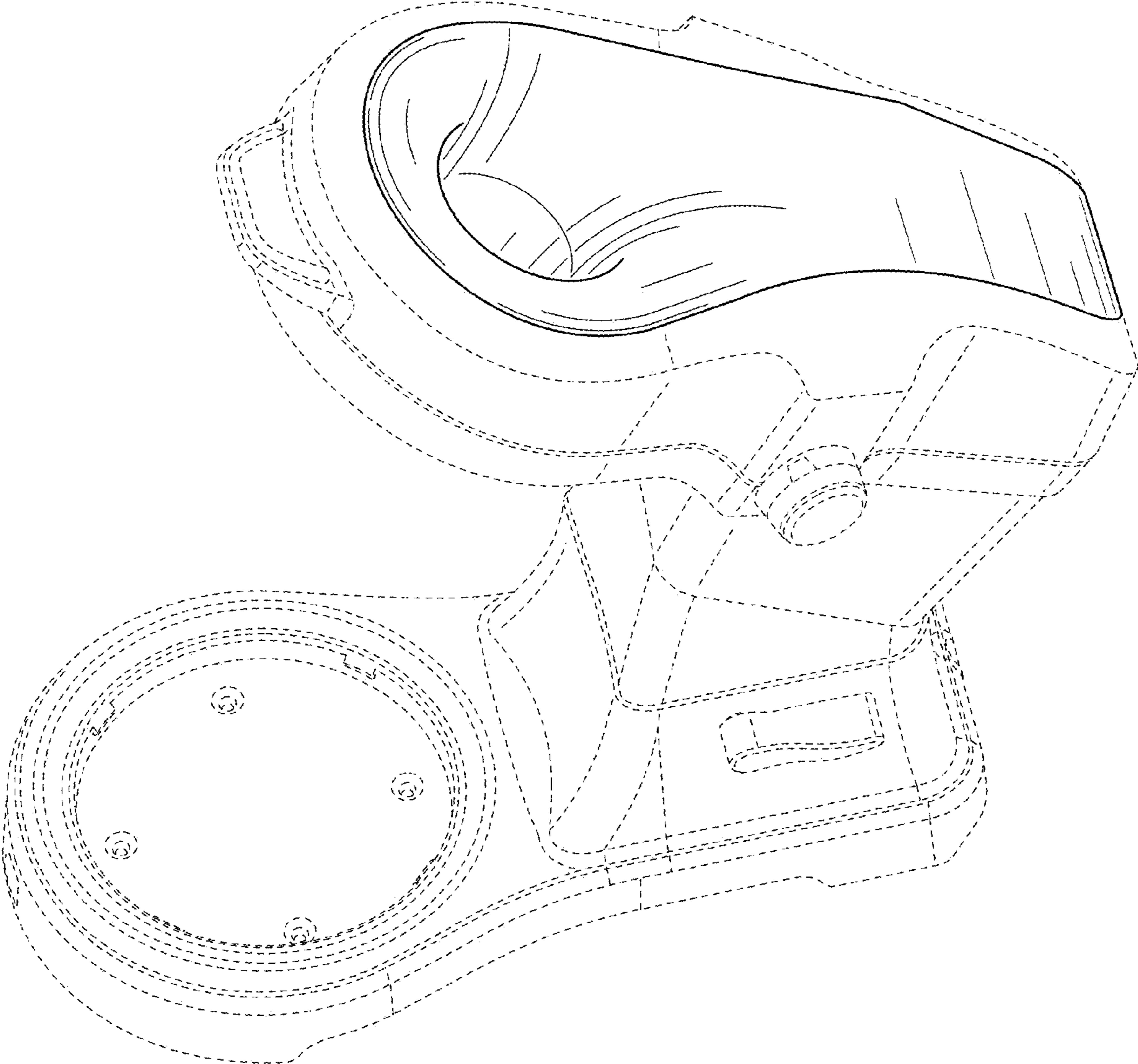


FIG. 12

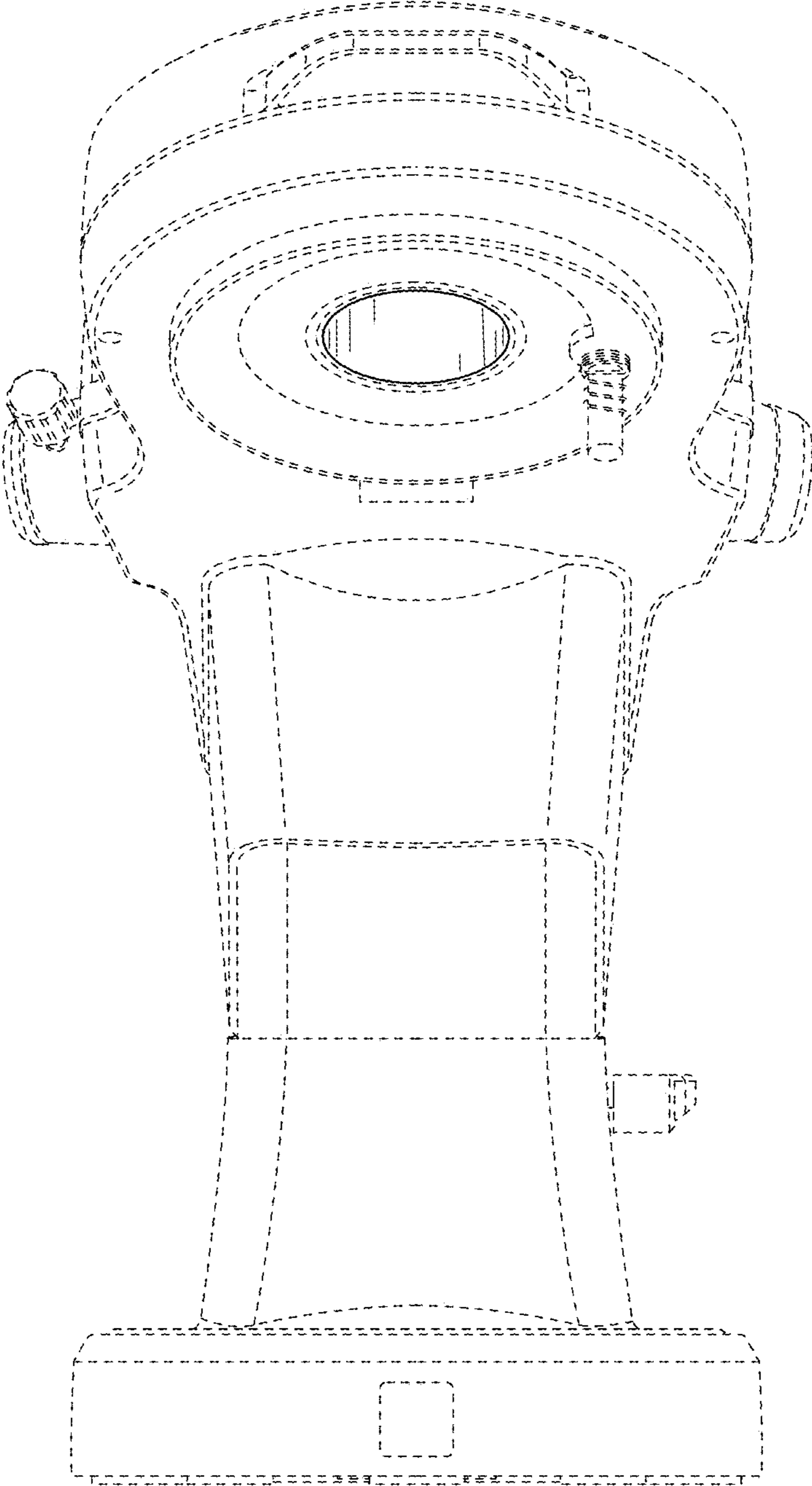


FIG. 13

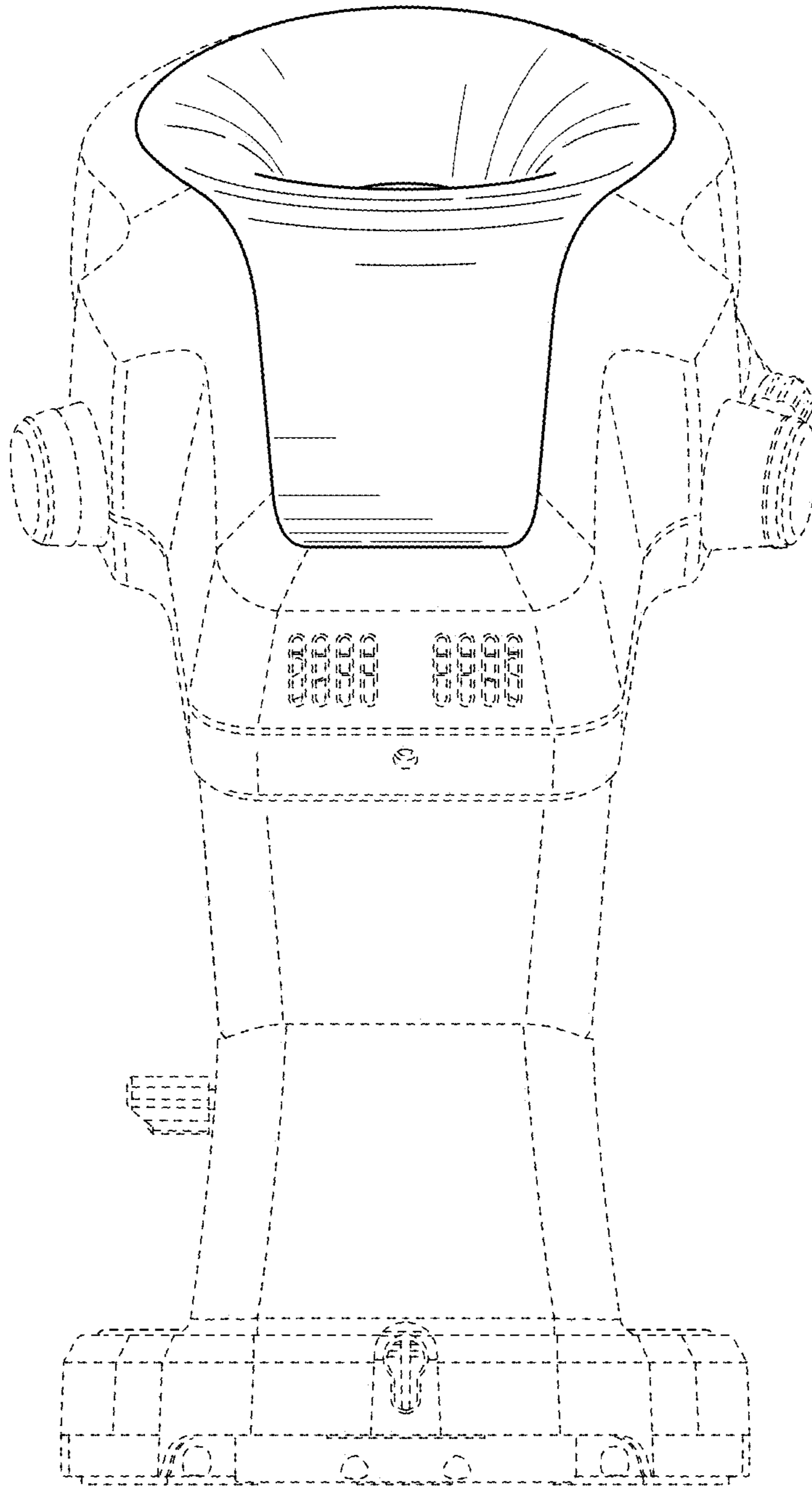


FIG. 14

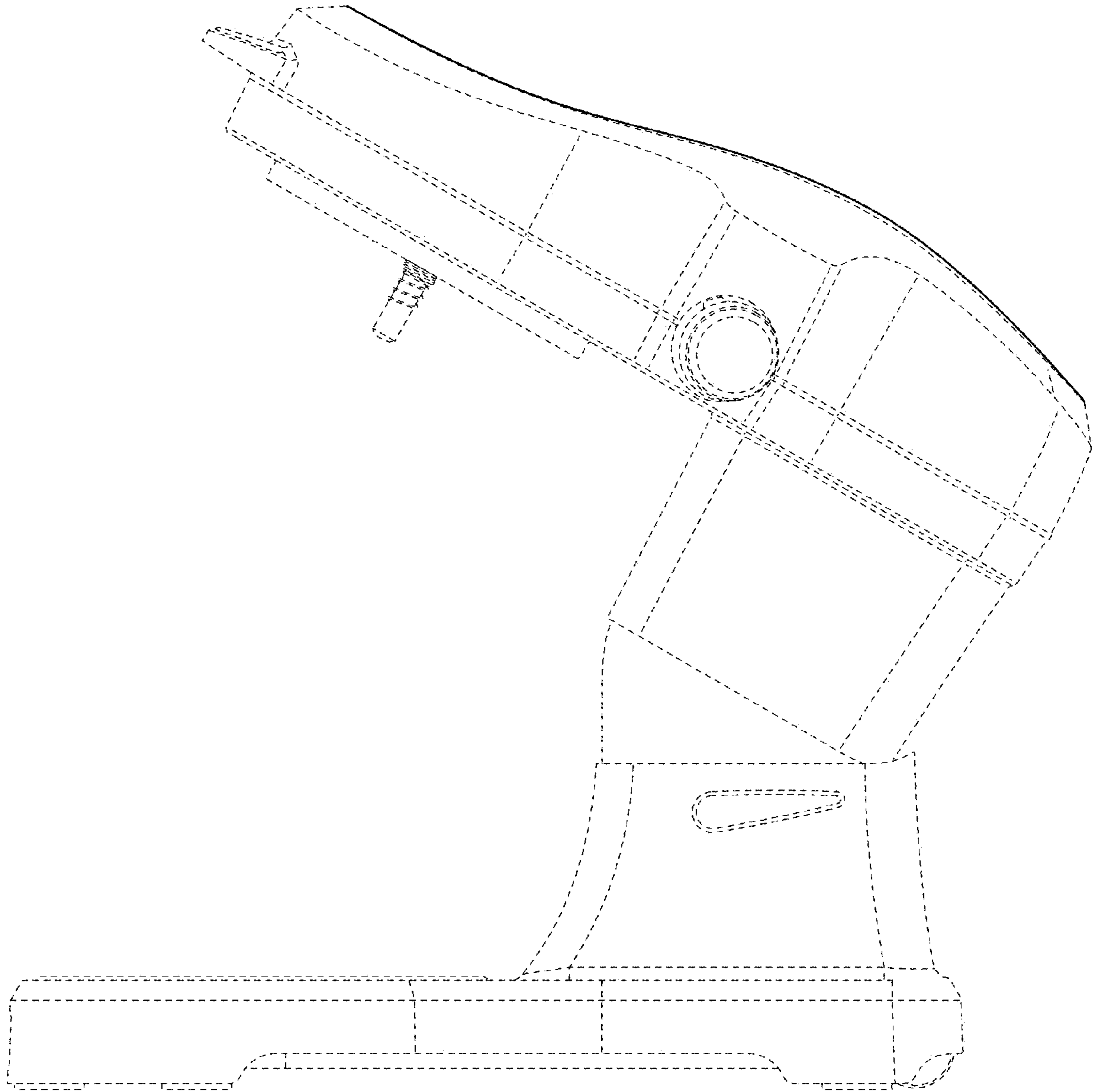


FIG. 15

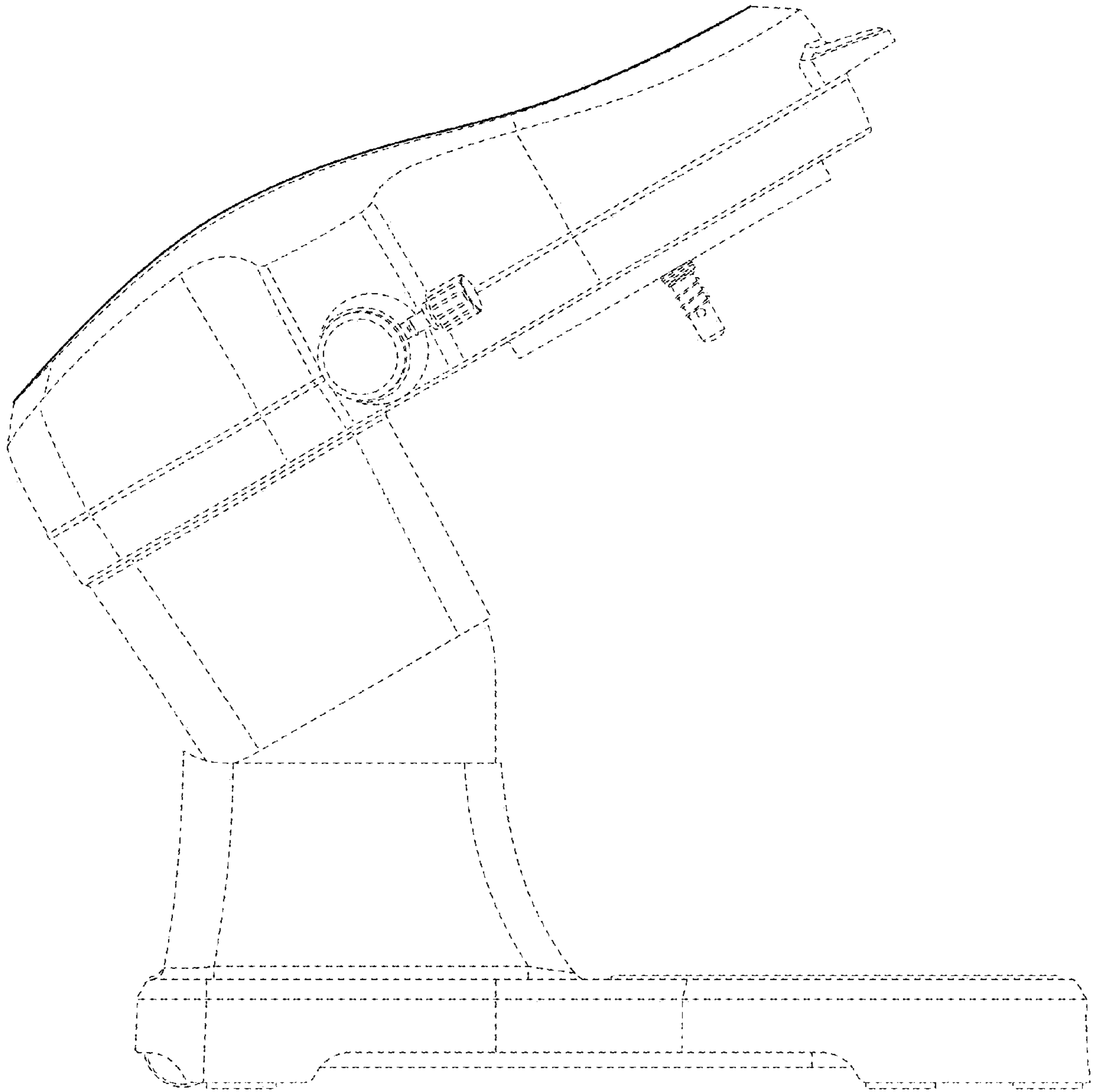


FIG. 16

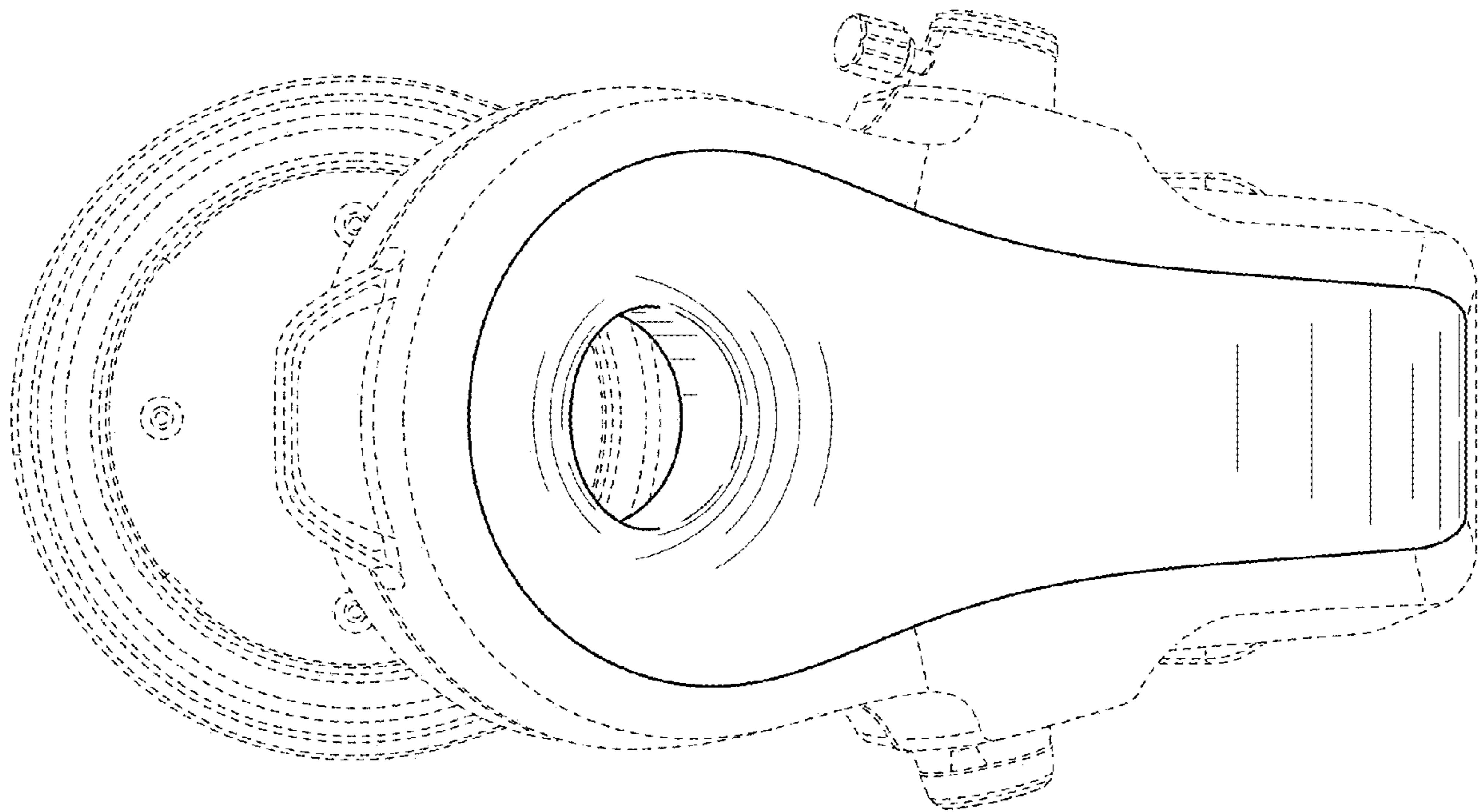


FIG. 17

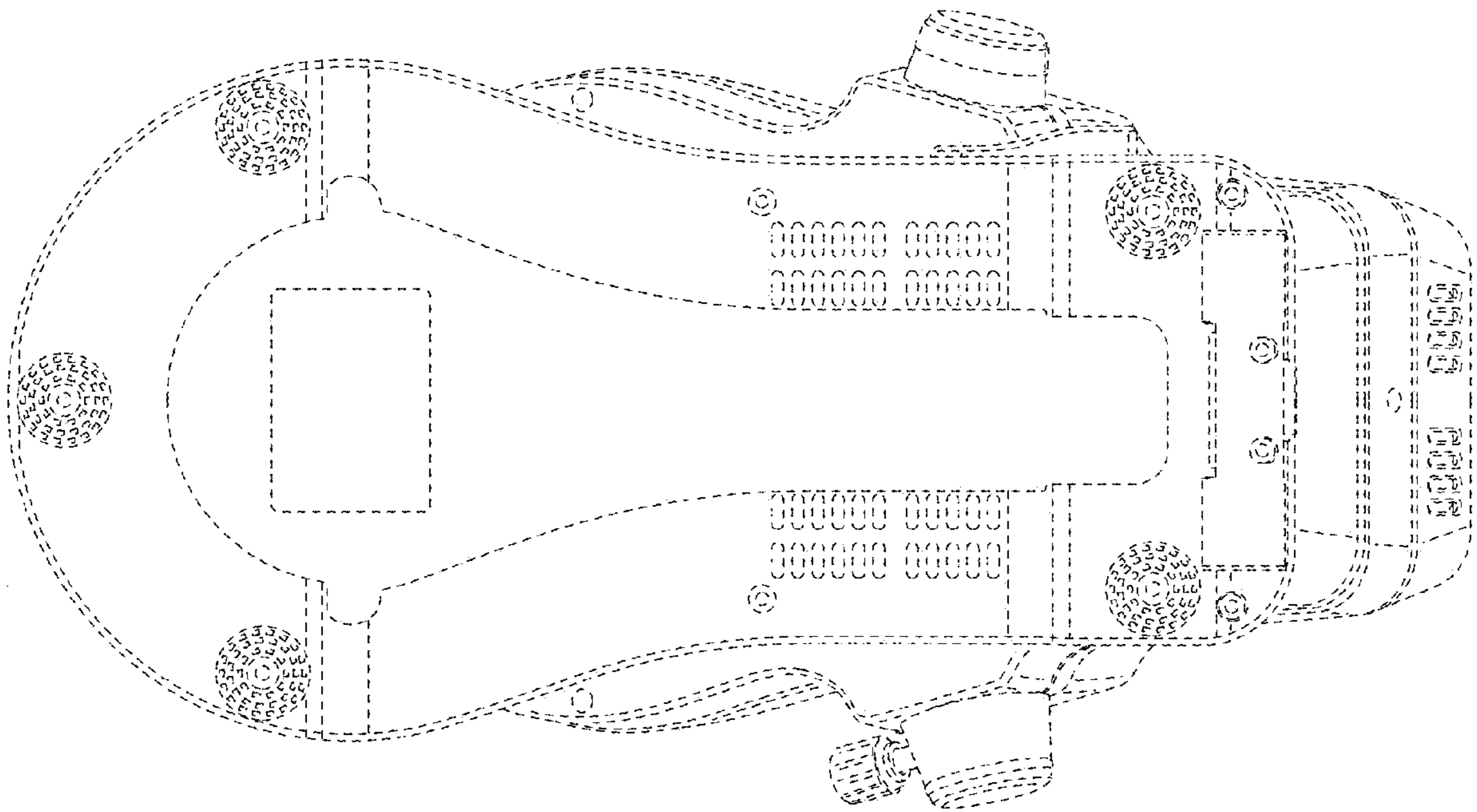


FIG. 18

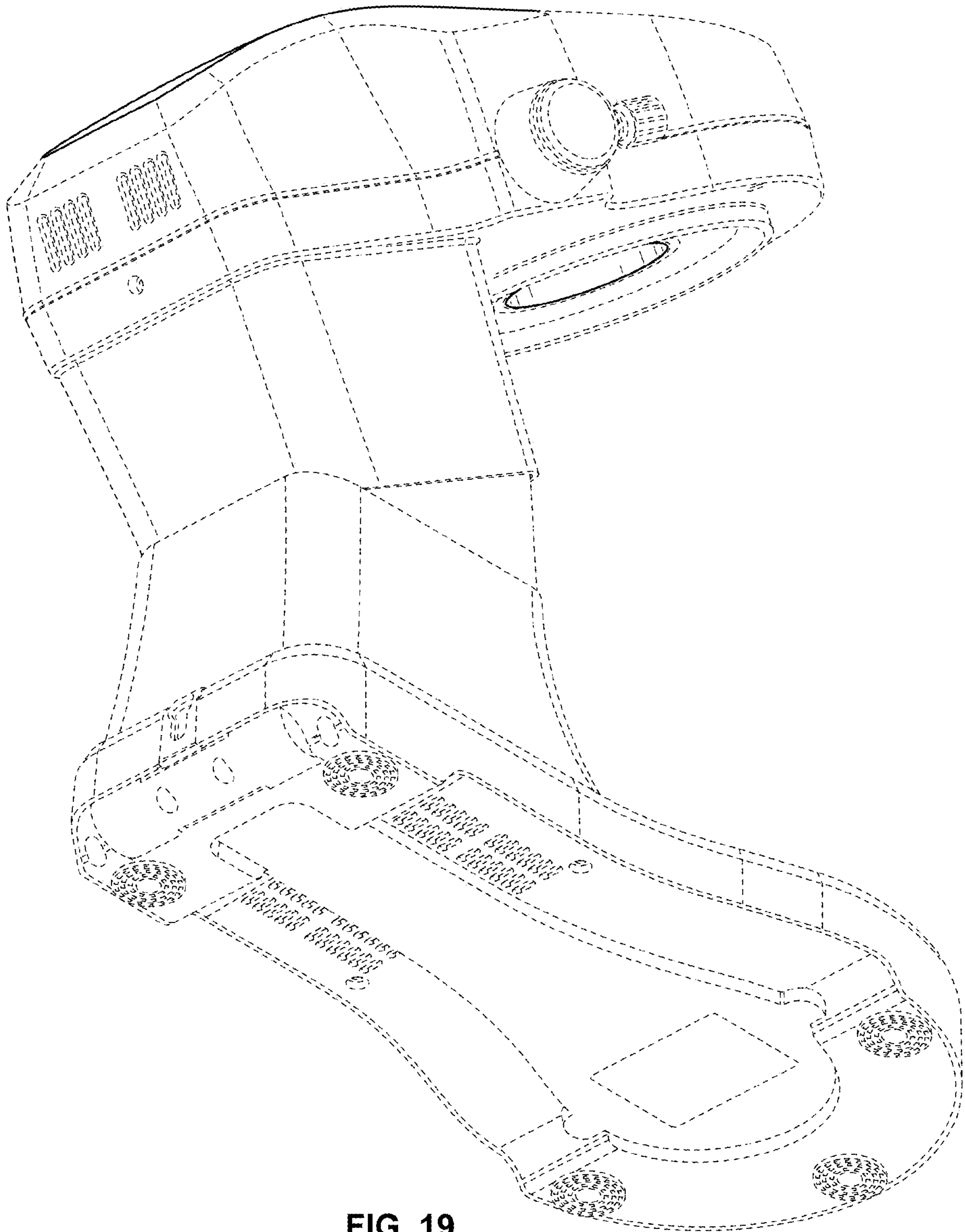


FIG. 19

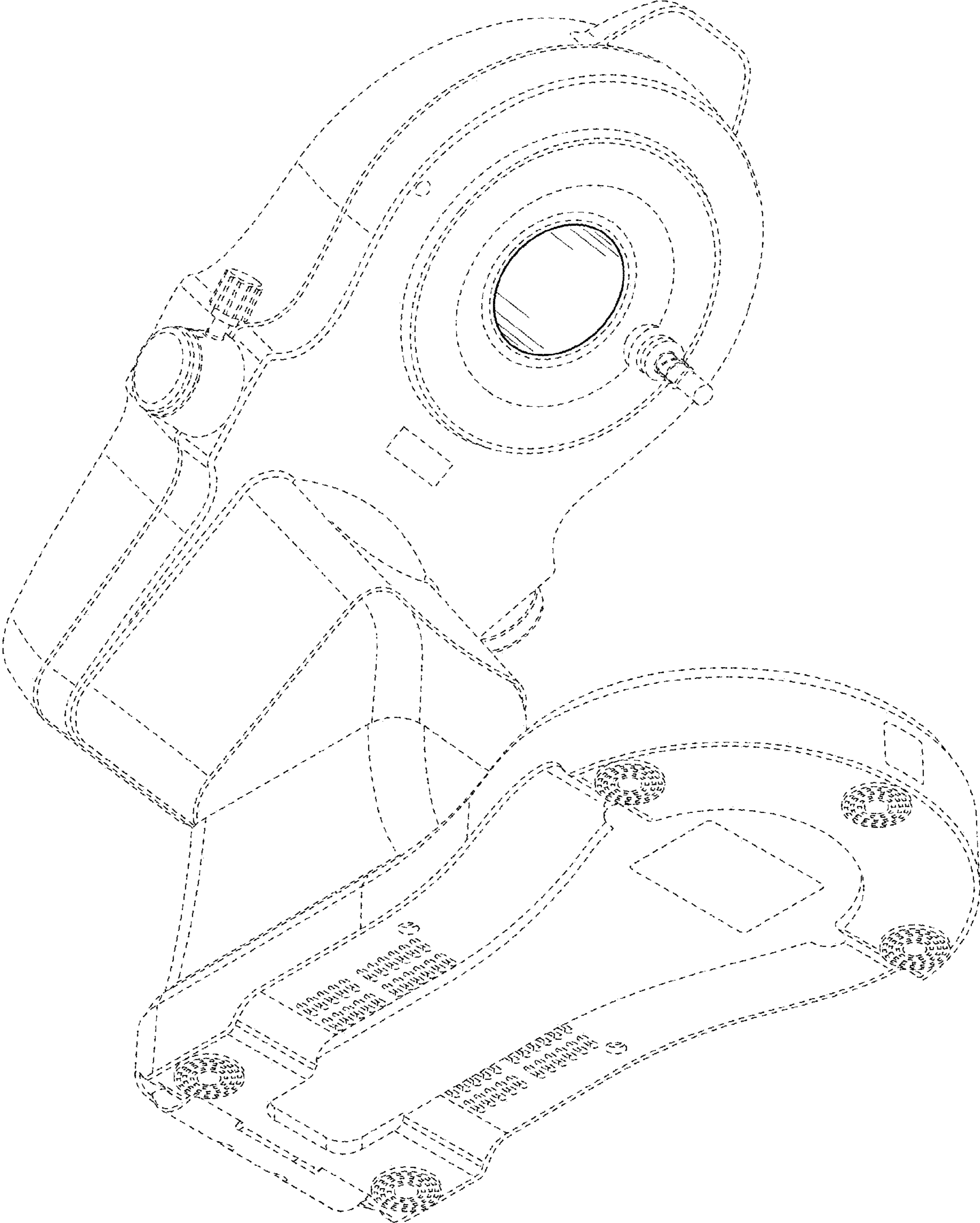


FIG. 20