



US00D879547S

(12) **United States Design Patent** (10) **Patent No.:** **US D879,547 S**  
**Palese et al.** (45) **Date of Patent:** **\*\* Mar. 31, 2020**

(54) **GRINDER HEAD COOLER**

(71) Applicant: **Blue Sky Innovation Group, Inc.**,  
Avon, OH (US)

(72) Inventors: **Jeffrey W. Palese**, North Ridgeville,  
OH (US); **Gregg M. Kloeppe**,  
Sheffield Lake, OH (US)

(73) Assignee: **BLUE SKY INNOVATION GROUP,  
INC.**, Avon, OH (US)

(\*\*) Term: **15 Years**

(21) Appl. No.: **29/662,826**

(22) Filed: **Sep. 10, 2018**

**Related U.S. Application Data**

(63) Continuation-in-part of application No. 29/659,618,  
filed on Aug. 10, 2018, now abandoned, which is a  
(Continued)

(51) **LOC (12) Cl.** ..... **31-00**

(52) **U.S. Cl.**  
USPC ..... **D7/372**

(58) **Field of Classification Search**  
USPC ..... D7/372, 376–386, 665–666, 669,  
D7/678–679, 693–694  
CPC ..... A01F 2015/07; A01F 2015/077; A01F  
2015/0775; A23N 1/00; A23N 1/02; A47J  
19/00; A47J 19/005; A47J 19/02; A47J  
19/04; A47J 19/06; A47J 42/32; A47J  
42/34; A47J 42/36; A47J 43/044; A47J  
43/25; A47J 43/255; B01F 7/26; B01F  
7/28; B01F 11/0082; B01F 13/04; B02C  
13/00; B02C 13/02; B02C 13/10; B02C  
18/06; B02C 18/26; B02C 18/30; B02C  
18/302; B02C 18/304; B02C 18/305;  
B02C 25/00; B02C 2002/00; B02C  
2013/00; B02C 2013/14; B02C 2013/145;  
B02C 2013/18; B02C 2013/1807; B02C  
2013/1857; B02C

(Continued)

(56) **References Cited**

U.S. PATENT DOCUMENTS

1,942,083 A \* 1/1934 Biancalana ..... B02C 18/302  
165/77  
3,244,388 A \* 4/1966 Coffman ..... F16L 59/135  
248/62

(Continued)

*Primary Examiner* — Ricky Pham

(74) *Attorney, Agent, or Firm* — Tarolli, Sundheim,  
Covell & Tummino LLP

(57) **CLAIM**

The ornamental design for a grinder head cooler, as shown  
and described.

**DESCRIPTION**

FIG. 1 is a perspective view of a grinder head cooler  
illustrating our new design.

FIG. 2 is a front-top perspective view of a grinder head  
cooler illustrating our new design.

FIG. 3 is a rear-bottom perspective view of a grinder head  
cooler illustrating our new design.

FIG. 4 is a front view of a grinder head cooler illustrating our  
new design.

FIG. 5 is a rear view of a grinder head cooler illustrating our  
new design.

FIG. 6 is a right side view of a grinder head cooler  
illustrating our new design.

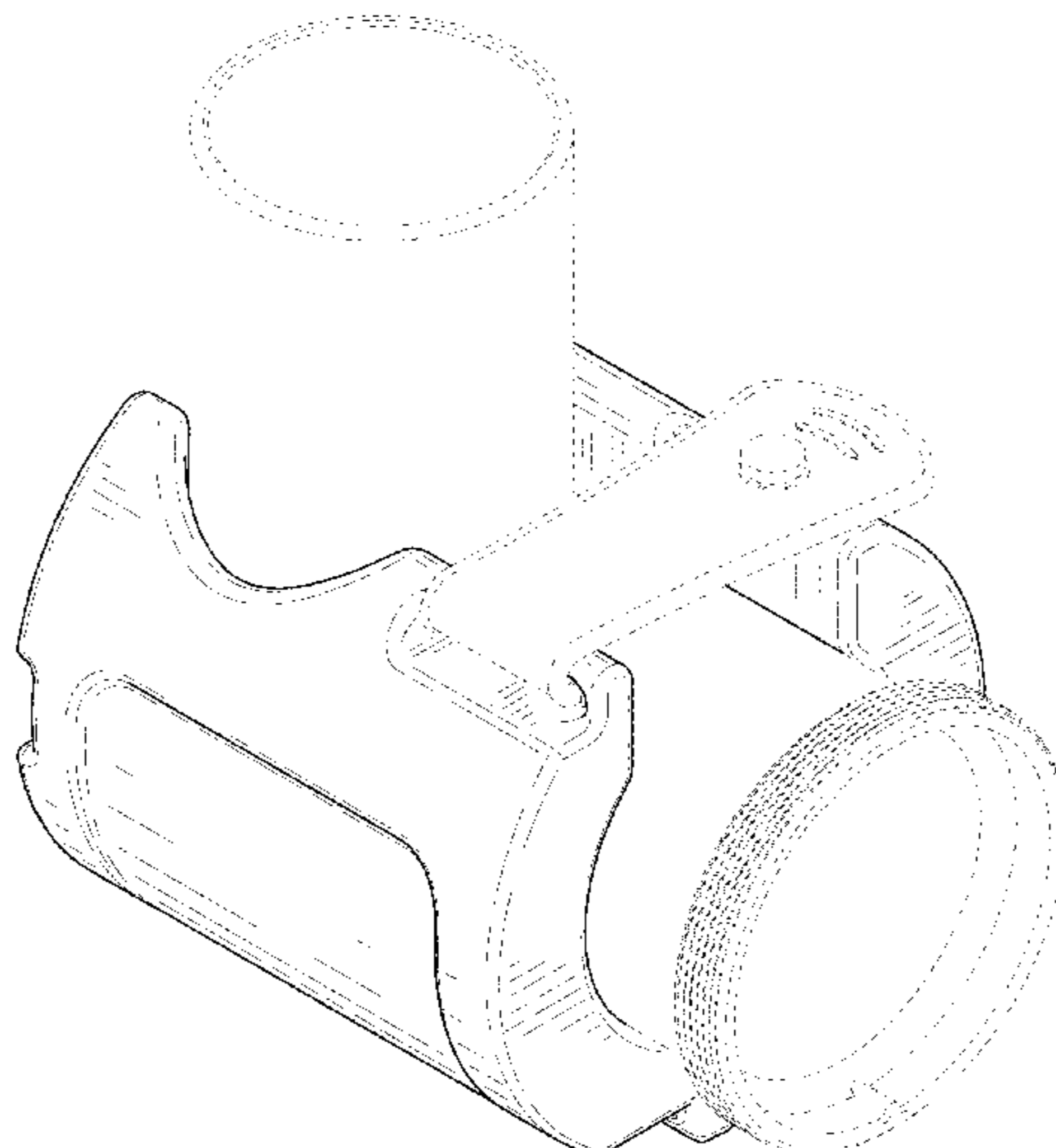
FIG. 7 is a left side view of a grinder head cooler illustrating  
our new design.

FIG. 8 is a top view of a grinder head cooler illustrating our  
new design; and,

FIG. 9 is a bottom view of a grinder head cooler illustrating  
our new design.

The broken lines in the drawings represent unclaimed envi-  
ronment only and form no part of the claimed design.

**1 Claim, 5 Drawing Sheets**



**Related U.S. Application Data**

continuation-in-part of application No. 14/686,448,  
filed on Apr. 14, 2015, now abandoned.

(58) **Field of Classification Search**

CPC ..... 2013/1864; B30B 9/00; B30B 9/16; B30B  
9/18; B30B 9/20; B30B 9/26; B30B  
9/205; B30B 9/207; F16L 3/00; F16L  
3/11; F16L 3/1008; F16L 55/035; F16L  
59/024; F16L 59/135; F24H 1/105

See application file for complete search history.

(56) **References Cited**

U.S. PATENT DOCUMENTS

3,539,137 A \* 11/1970 March ..... F16L 59/024  
248/62  
D222,209 S \* 10/1971 Dykes ..... D7/372  
3,933,377 A \* 1/1976 Arrowood ..... F16L 3/00  
285/61  
4,146,203 A \* 3/1979 Williams ..... F16L 3/11  
138/107  
4,323,088 A \* 4/1982 McClellan ..... F16L 59/135  
138/106  
5,192,039 A \* 3/1993 Williams ..... F16L 59/135  
138/107  
6,031,972 A \* 2/2000 Barker ..... F24H 1/105  
138/33  
6,126,119 A \* 10/2000 Giangrasso ..... F16L 55/035  
248/58  
7,207,527 B2 \* 4/2007 Opperthausen ..... F16L 59/135  
248/55  
7,677,505 B2 \* 3/2010 Deichman ..... F16L 3/1008  
138/106  
2016/0332166 A1 \* 11/2016 Chen ..... B02C 18/302

\* cited by examiner

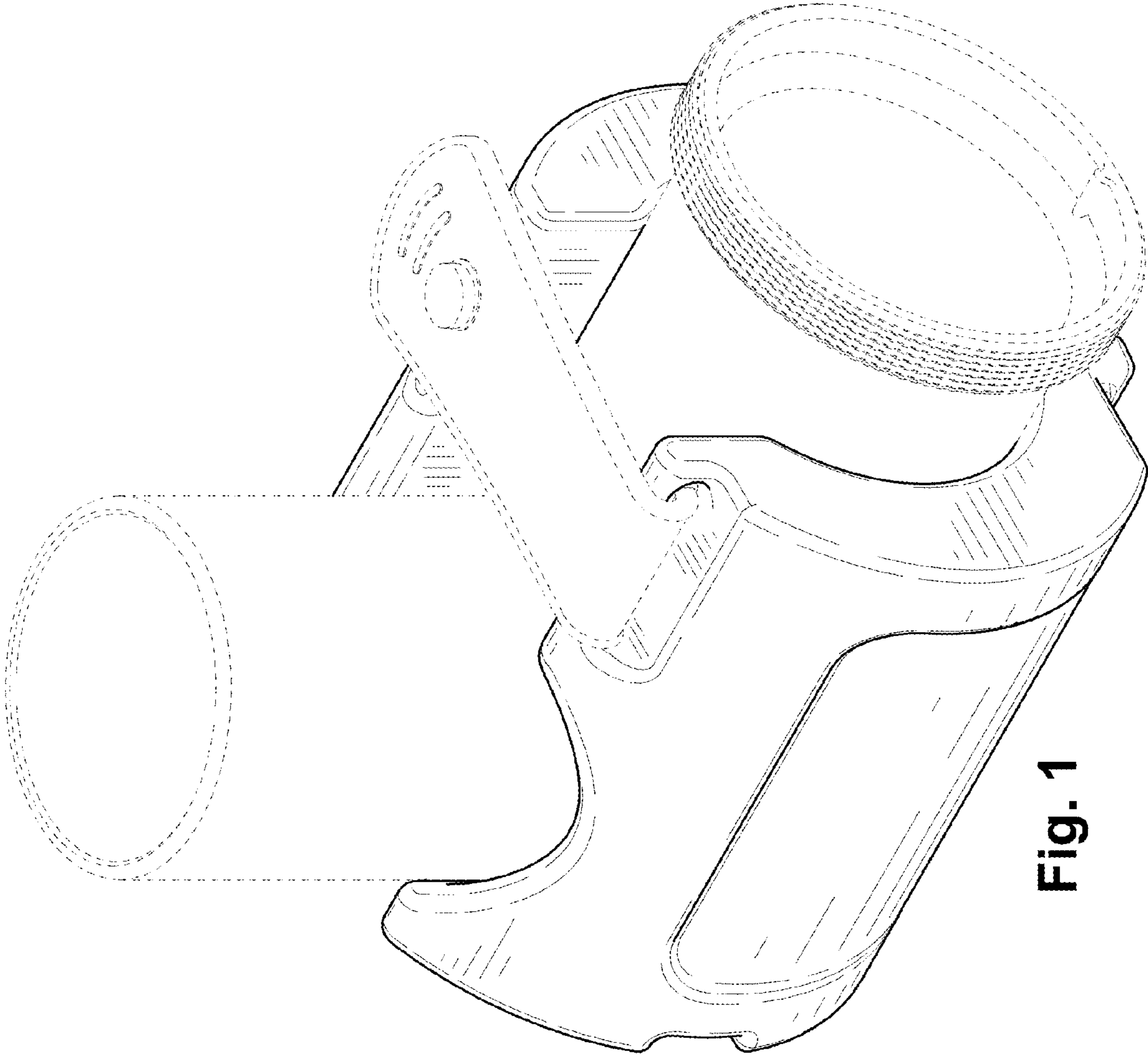


Fig. 1

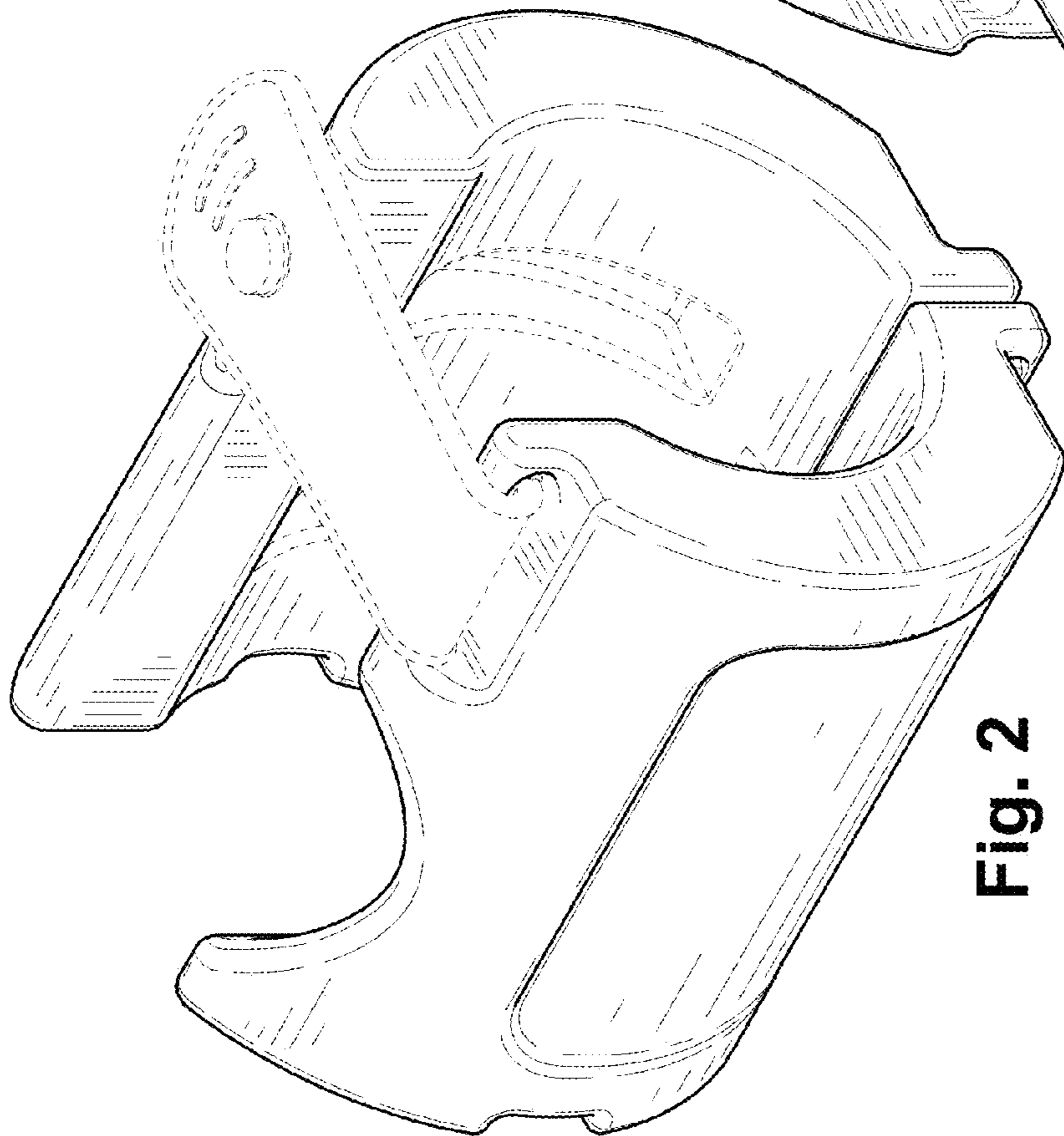


Fig. 2

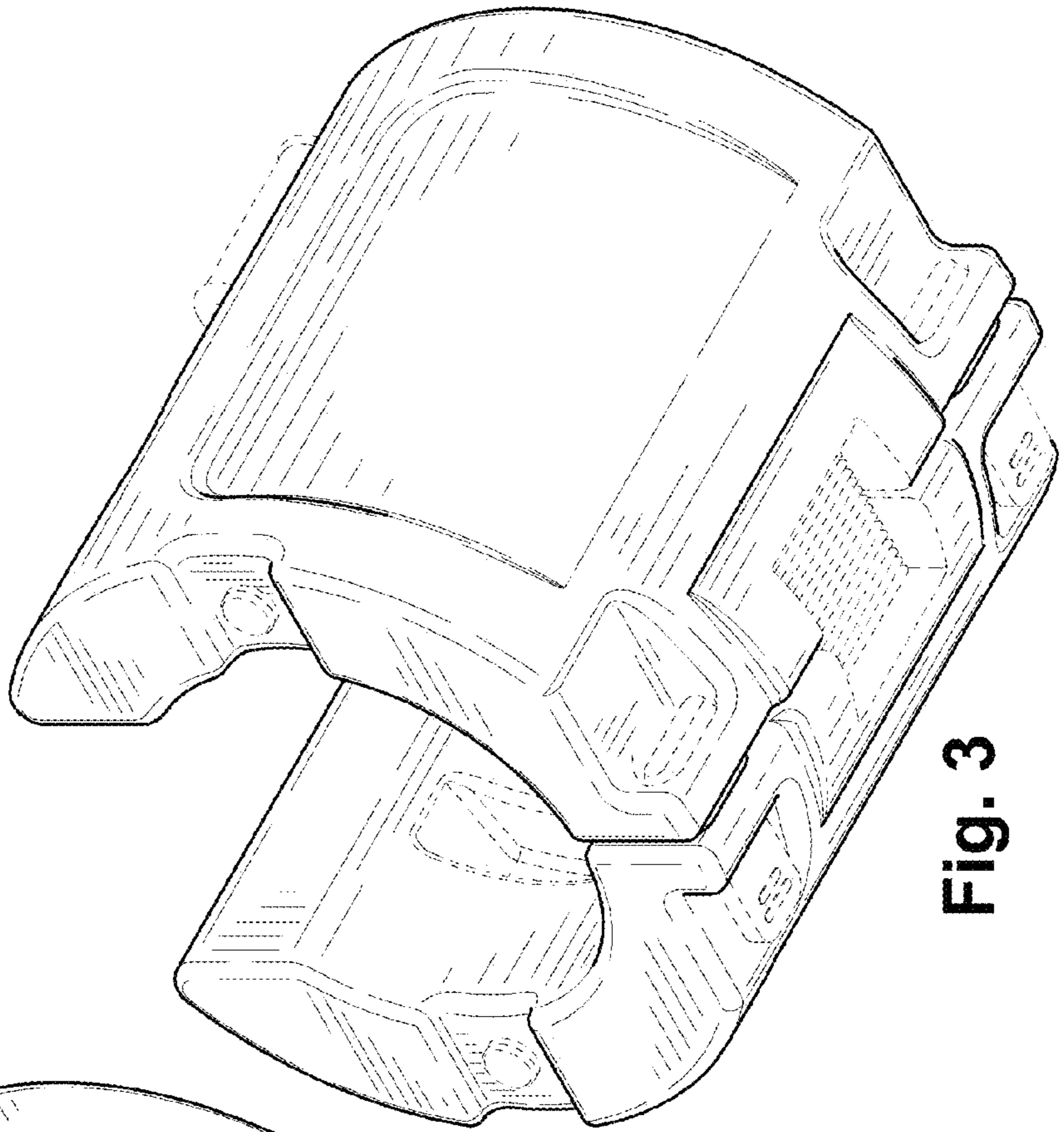


Fig. 3

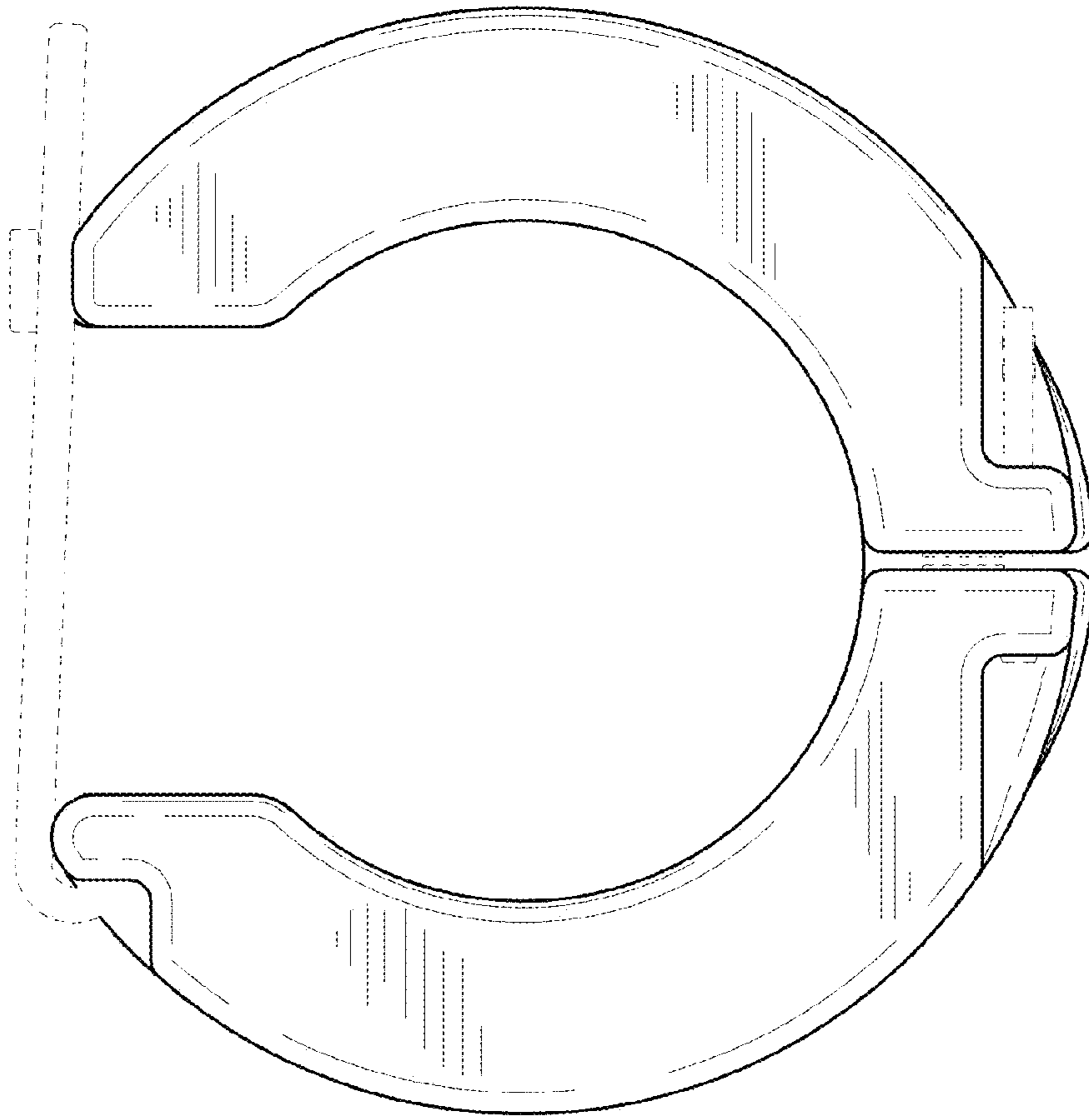


Fig. 5

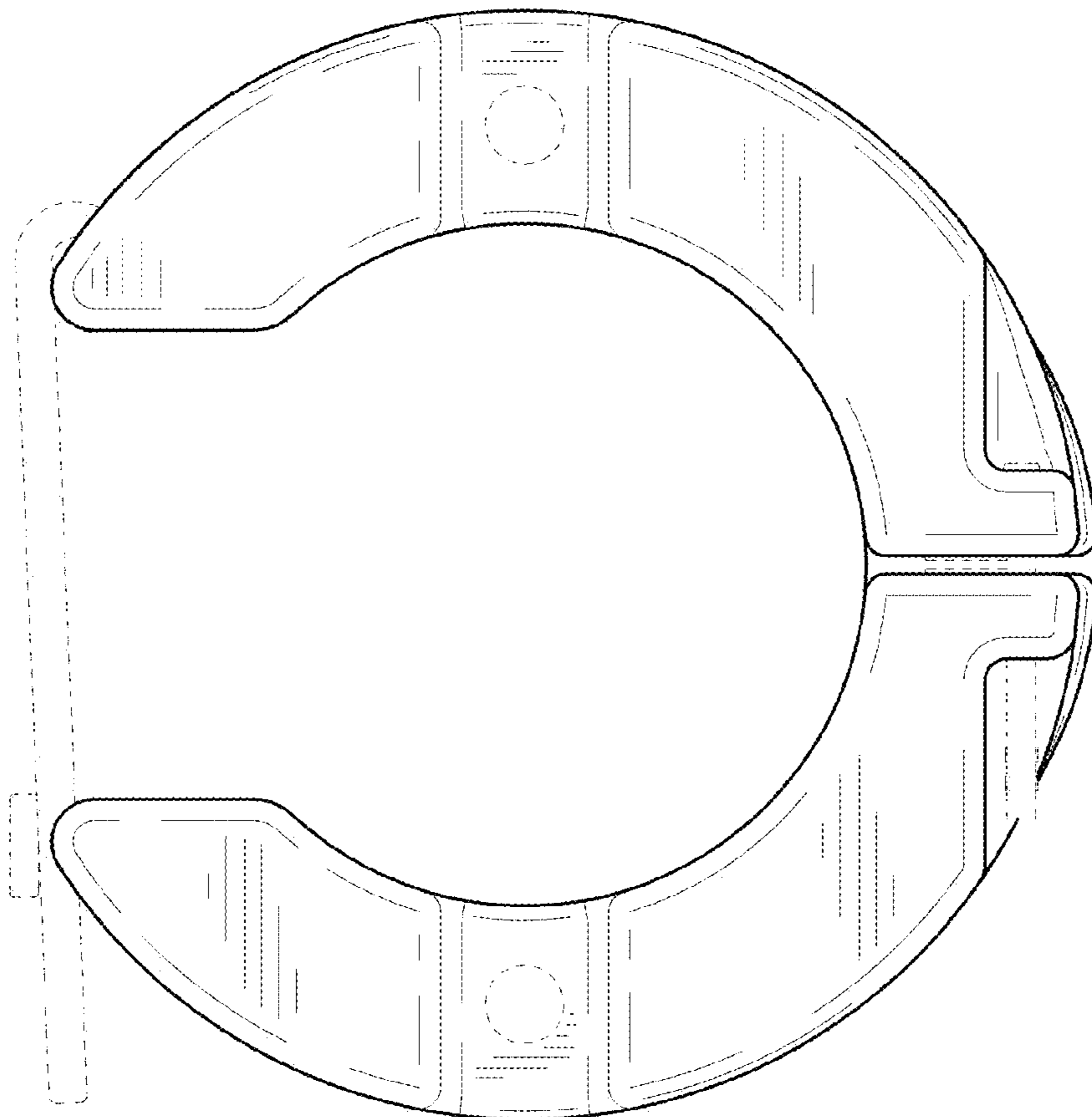


Fig. 4

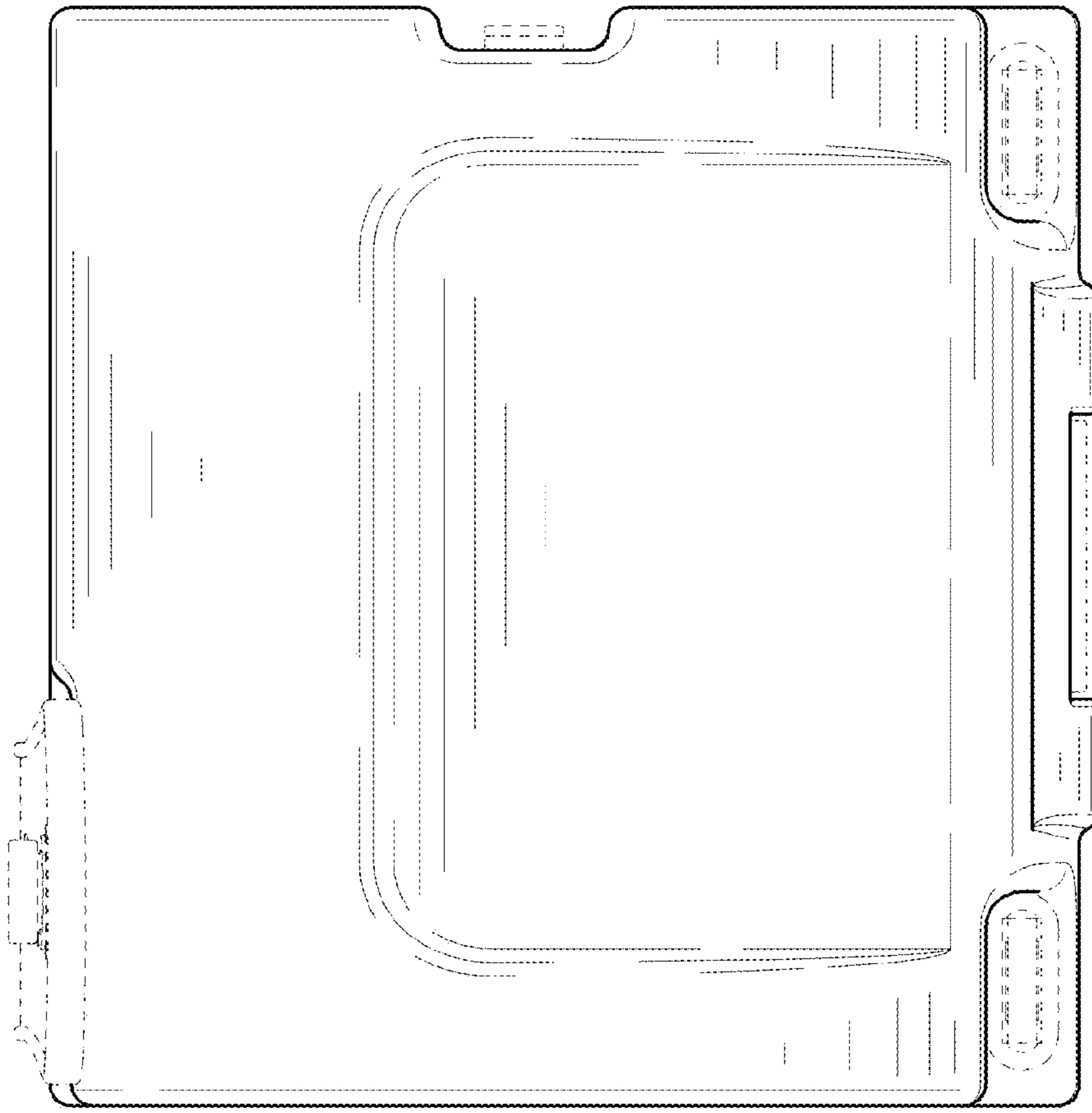


Fig. 7

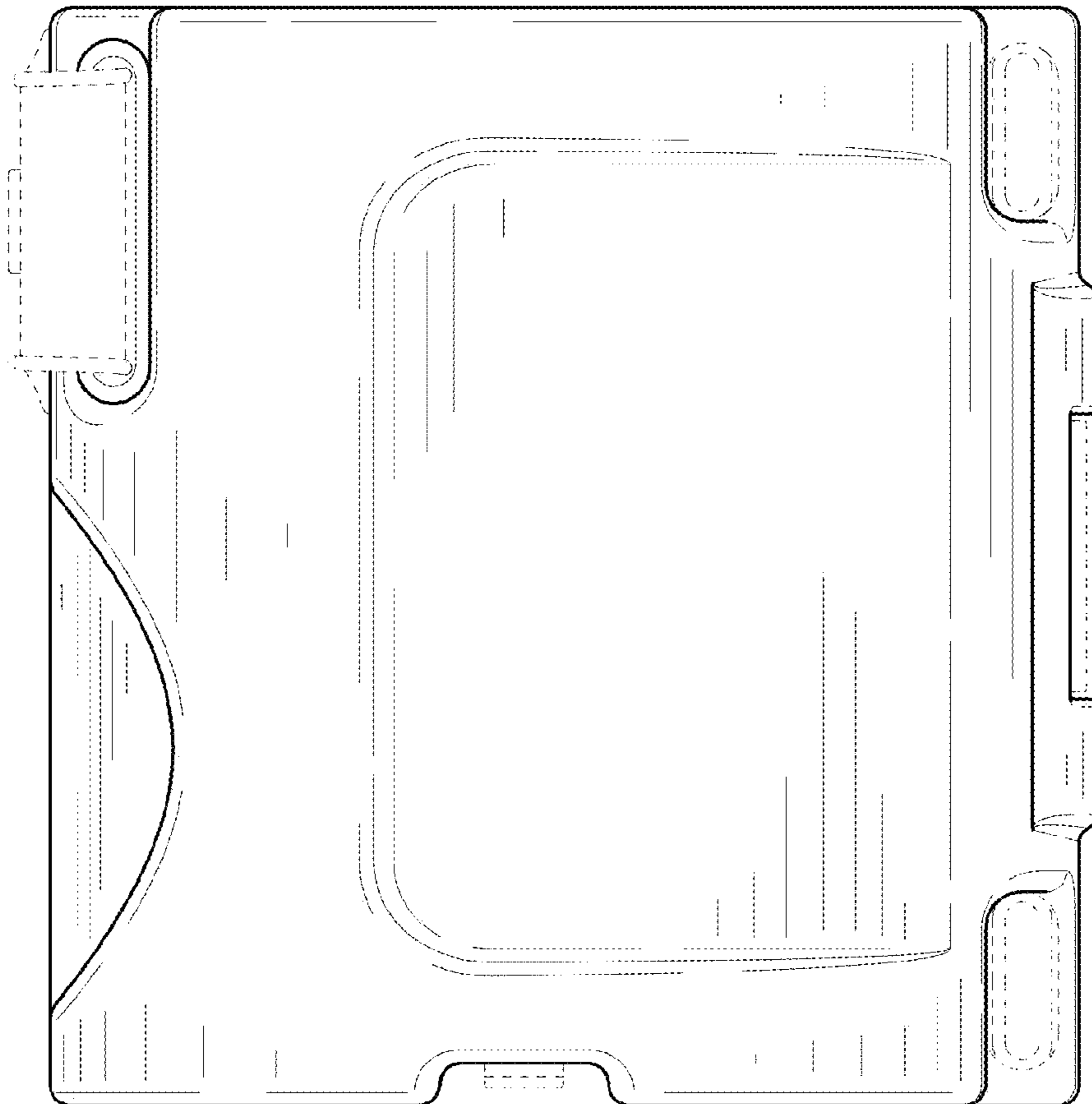


Fig. 6

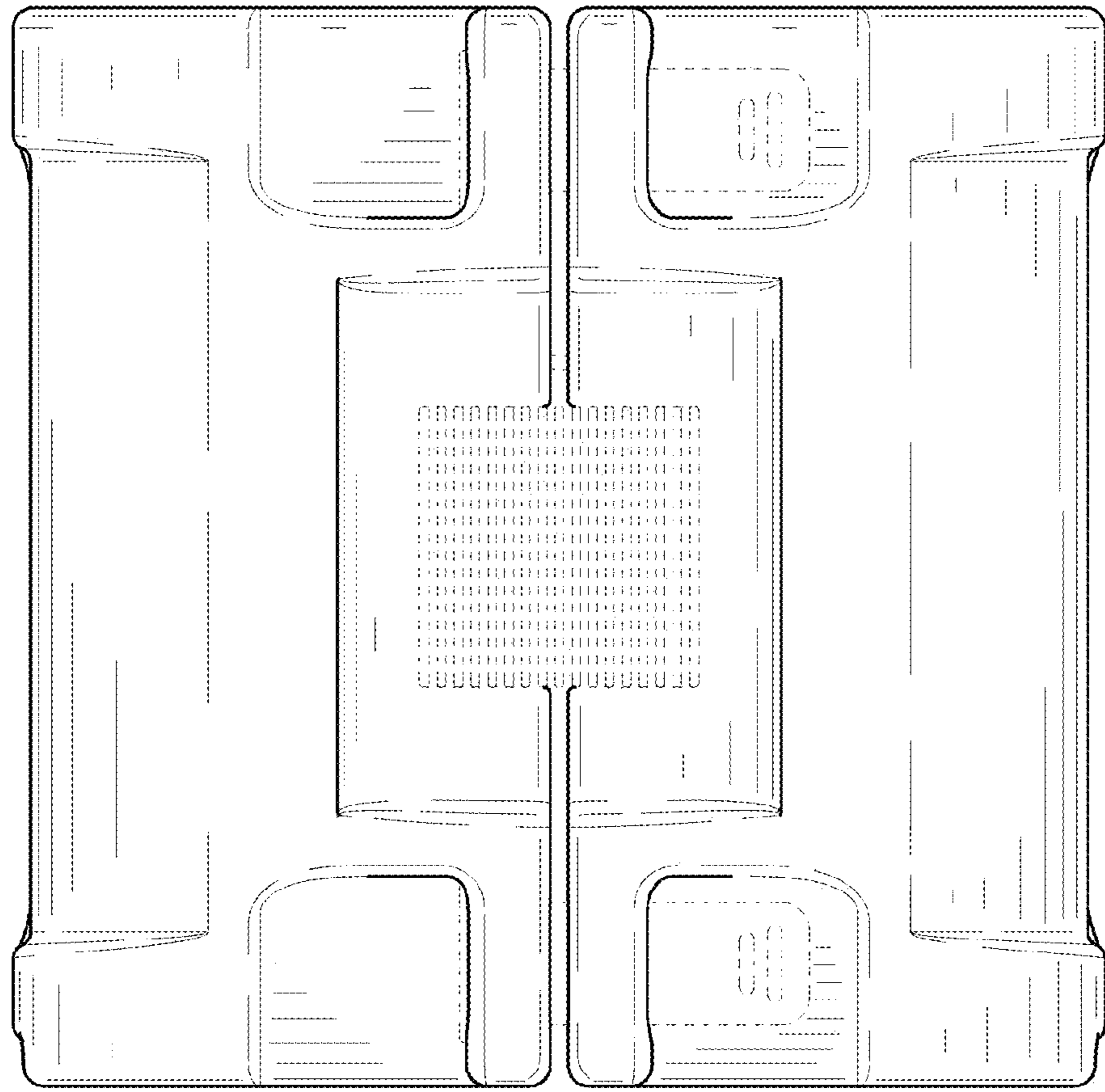


Fig. 9

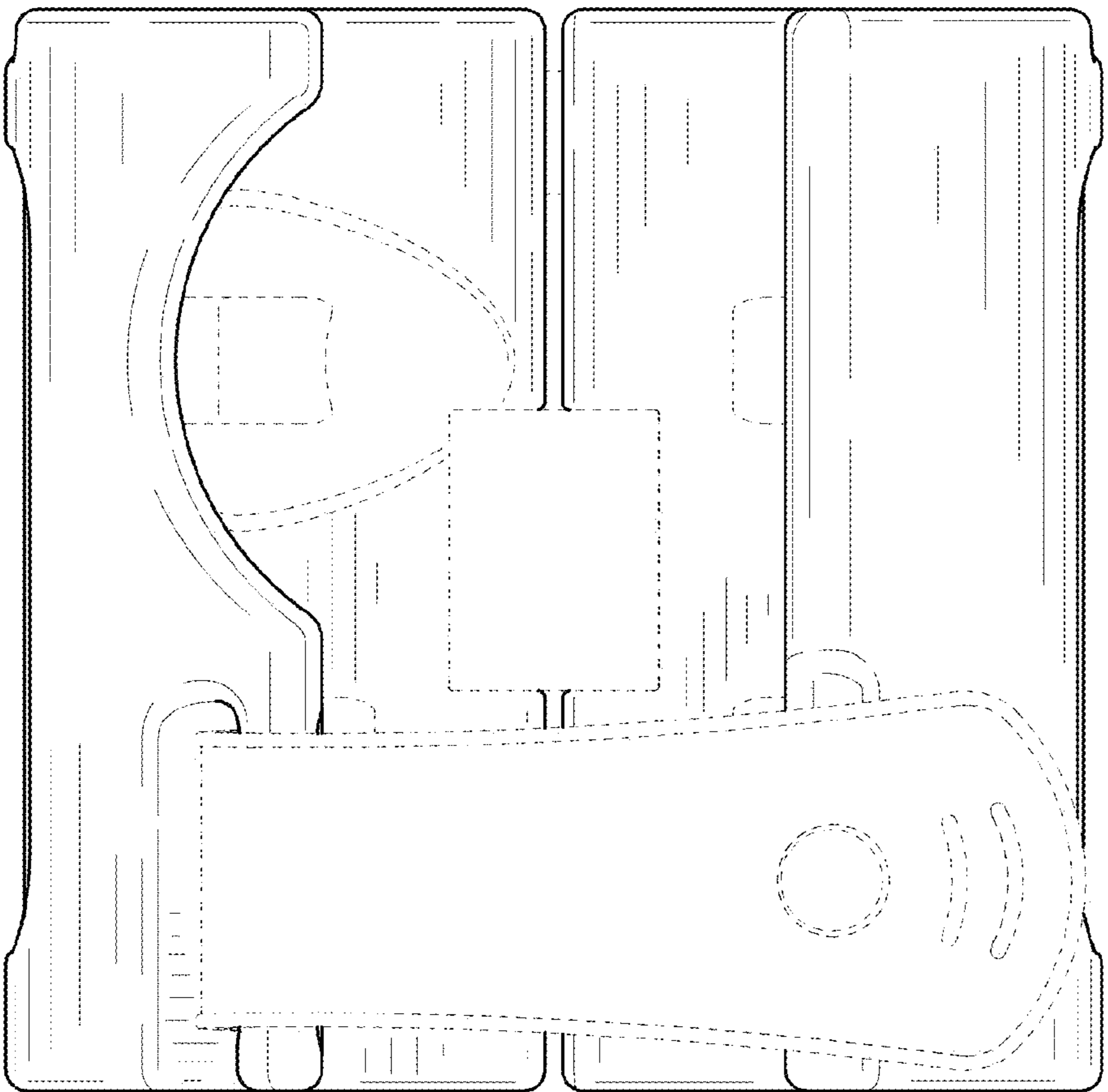


Fig. 8