



US00D879546S

(12) **United States Design Patent**
Hollinger

(10) **Patent No.:** **US D879,546 S**

(45) **Date of Patent:** **** Mar. 31, 2020**

- (54) **STACKABLE COOKWARE**
- (71) Applicant: **E. MISHAN & SONS, INC.**, New York, NY (US)
- (72) Inventor: **Fred Hollinger**, Monroe Township, NJ (US)
- (73) Assignee: **E. MISHAN & SONS, INC.**, New York, NY (US)

2,116,489 A	5/1938	Jackson	
2,199,687 A	5/1940	Blankenship	
2,624,487 A	1/1953	Fry	
2,633,266 A *	3/1953	Cookson	B65D 45/32
			220/326
3,477,609 A *	11/1969	Winkler, Jr.	H02G 3/088
			220/784
3,641,920 A	2/1972	Kraft et al.	
4,204,609 A	5/1980	Kuhn	
4,714,012 A *	12/1987	Hernandez	A47J 36/20
			99/410
5,253,758 A	10/1993	Bissell, II	
D349,420 S	8/1994	Hasuike	
D358,062 S	5/1995	Hasuike	
		(Continued)	

(**) Term: **15 Years**

(21) Appl. No.: **29/675,505**

(22) Filed: **Jan. 2, 2019**

(51) **LOC (12) Cl.** **07-02**

(52) **U.S. Cl.**
USPC **D7/361; D7/354**

(58) **Field of Classification Search**
 USPC D7/323, 354-363, 391, 393-396, 409
 CPC A47G 19/12; A47J 27/00; A47J 27/002;
 A47J 27/08; A47J 27/12; A47J 27/13;
 A47J 27/21; A47J 27/58; A47J 36/025;
 A47J 36/06; A47J 36/10; A47J 36/12;
 A47J 36/20; A47J 37/00; A47J 37/10;
 A47J 37/101; A47J 37/103; A47J 37/12;
 A47J 37/1204; A47J 43/288; A47J
 45/061; A47J 45/071; A47J 45/06; A47J
 45/08; B65D 21/0233; B65D 45/32;
 E05B 65/50; H02G 3/088; H05B 6/12
 See application file for complete search history.

(56) **References Cited**

U.S. PATENT DOCUMENTS

1,268,017 A	5/1918	Knight
2,037,807 A	4/1936	Lockwood
2,058,807 A	10/1936	Lockwood
2,222,584 A	4/1937	Oltman
2,116,487 A	5/1938	Jackson

FOREIGN PATENT DOCUMENTS

AU	41207/78	10/1978
CA	1255240	6/1989
		(Continued)

Primary Examiner — Ricky Pham

(74) *Attorney, Agent, or Firm* — Notaro, Michalos & Zaccaria P.C.

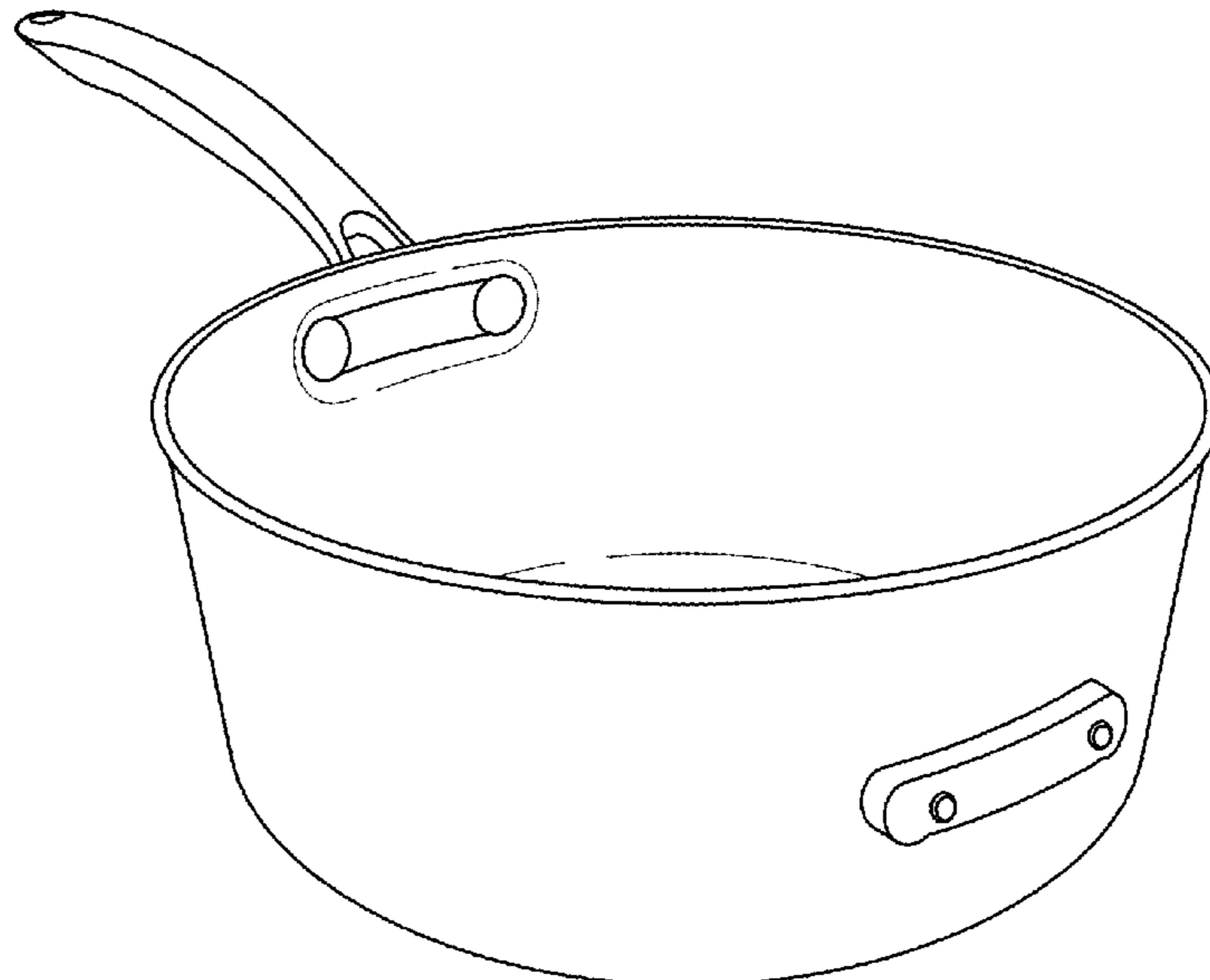
(57) **CLAIM**

The ornamental design for a stackable cookware, as shown and described.

DESCRIPTION

FIG. 1 is a front, right, top, perspective view of stackable cookware showing my design therefor;
 FIG. 2 is a rear, top, right perspective view thereof;
 FIG. 3 is a side elevational view thereof;
 FIG. 4 is a front elevational view thereof;
 FIG. 5 is a rear elevational view thereof;
 FIG. 6 is a top plan view thereof; and,
 FIG. 7 is a bottom plan view thereof.
 Throughout the drawings, broken lines indicate environment and form no part of the design.

1 Claim, 7 Drawing Sheets



US D879,546 S

Page 2

(56)

References Cited

U.S. PATENT DOCUMENTS

5,660,300 A * 8/1997 Demetrio A47J 37/10
16/425
6,237,775 B1 5/2001 Hatch et al.
7,347,327 B2 3/2008 Lobman et al.
D639,108 S * 6/2011 Molayem D7/354
8,123,067 B2 * 2/2012 Thomson A47J 36/06
206/510
8,272,531 B2 9/2012 Cuillery et al.
8,413,840 B2 4/2013 Metaxatos et al.
10,106,296 B2 * 10/2018 Lepinske B65D 21/0233
10,271,684 B1 * 4/2019 Harris A47J 36/10
10,486,857 B2 * 11/2019 Gossens A47J 45/06
2003/0167932 A1 9/2003 Chen
2009/0049650 A1 2/2009 Cuillery et al.
2011/0056957 A1 3/2011 Cheng
2013/0098920 A1 4/2013 Lee
2013/0306646 A1 11/2013 Cheng
2014/0251999 A1 * 9/2014 Ely E05B 65/50
220/324

2017/0247143 A1 8/2017 Gossens et al.
2017/0290453 A1 * 10/2017 Pittman A47J 27/13
2018/0271331 A1 * 9/2018 Lee A47J 43/288
2019/0142207 A1 * 5/2019 Hollinger A47J 27/12
220/573.1

FOREIGN PATENT DOCUMENTS

DE 8615346 10/1987
DE 4330653 A1 10/1994
DE 40008484-0004 9/2000
DE 40008484-0022 9/2000
DE 40200009-0006 1/2002
DE 40200009-0008 1/2002
DE 40200009-0009 1/2002
DE 40502400-0010 5/2005
DE 102009023000 A1 12/2010
DE 3210503 A1 8/2017
EM 003742733-0006 2/2017
WO 2006/100367 3/2006

* cited by examiner

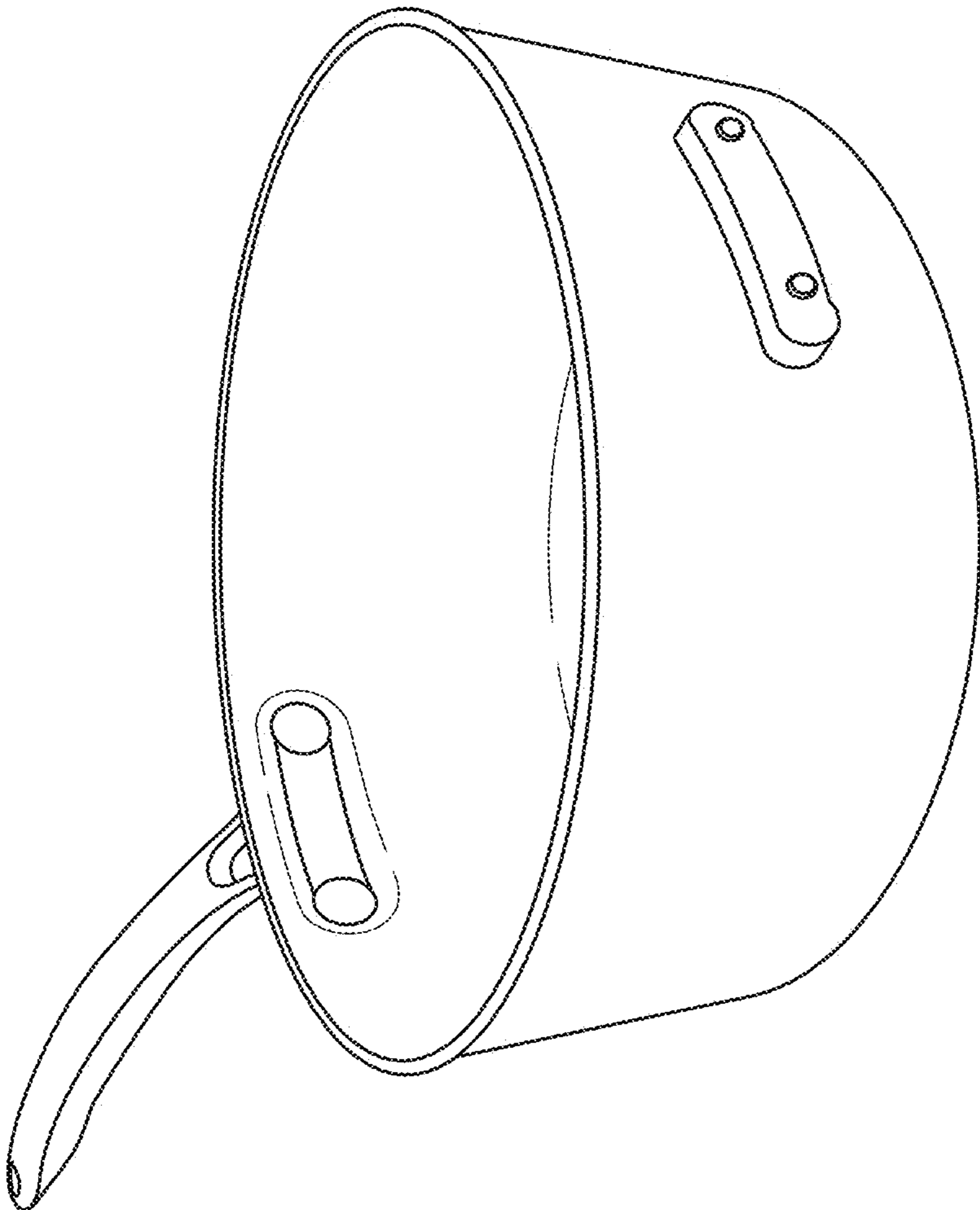


FIG. 1

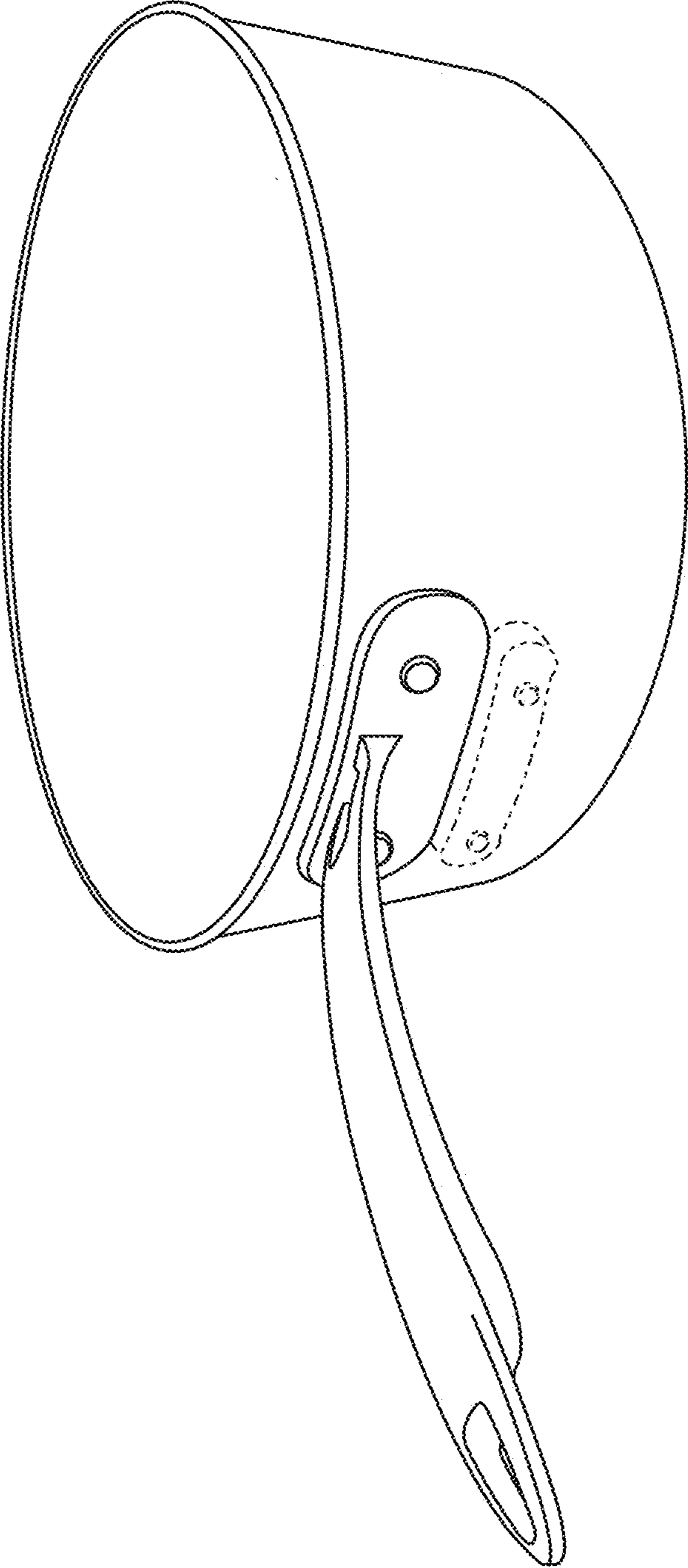


FIG. 2

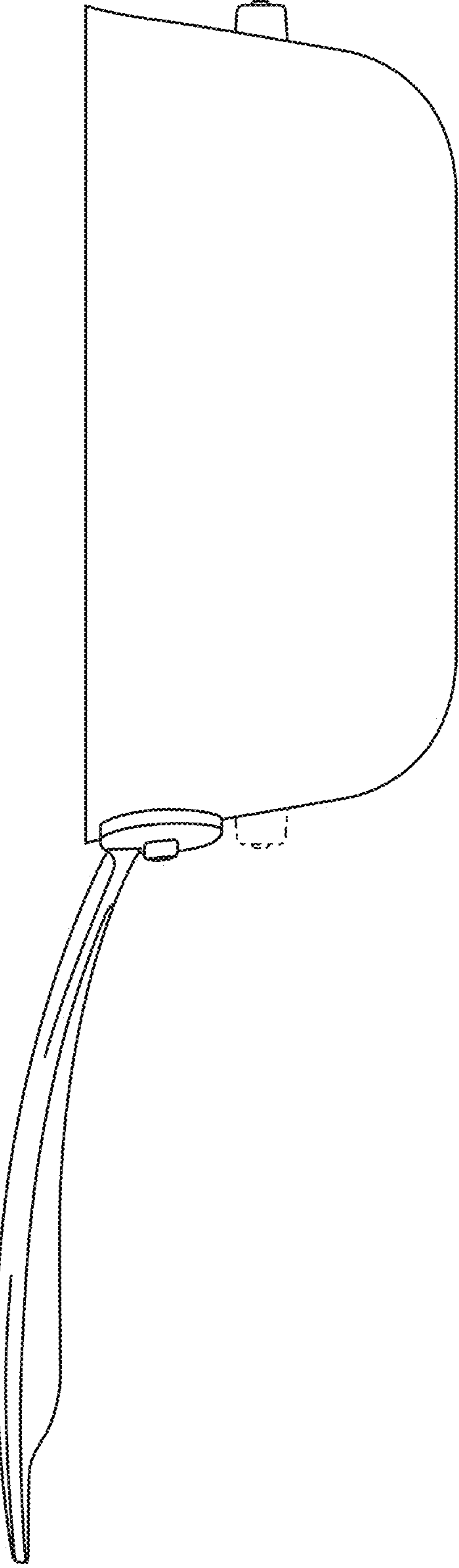


FIG. 3

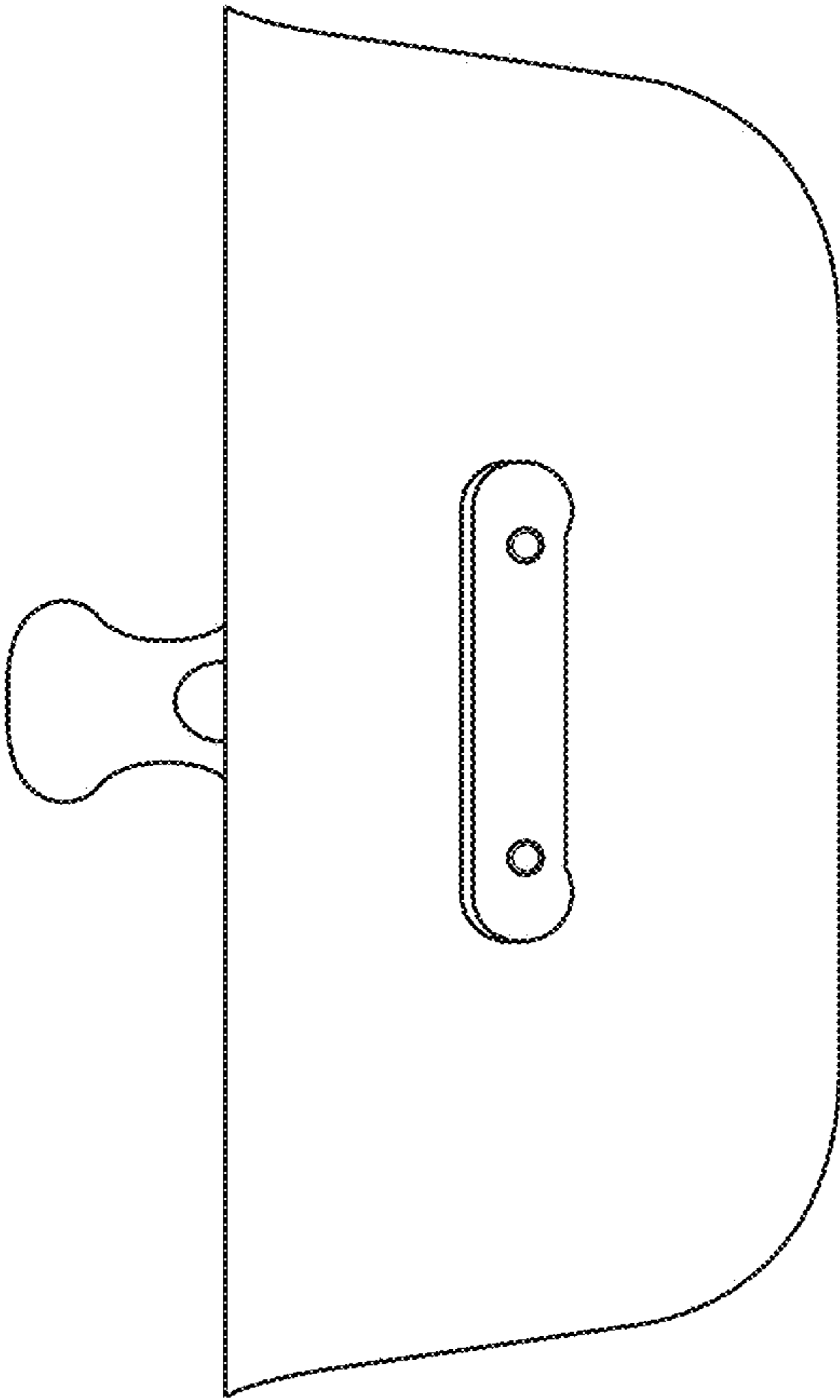


FIG. 4

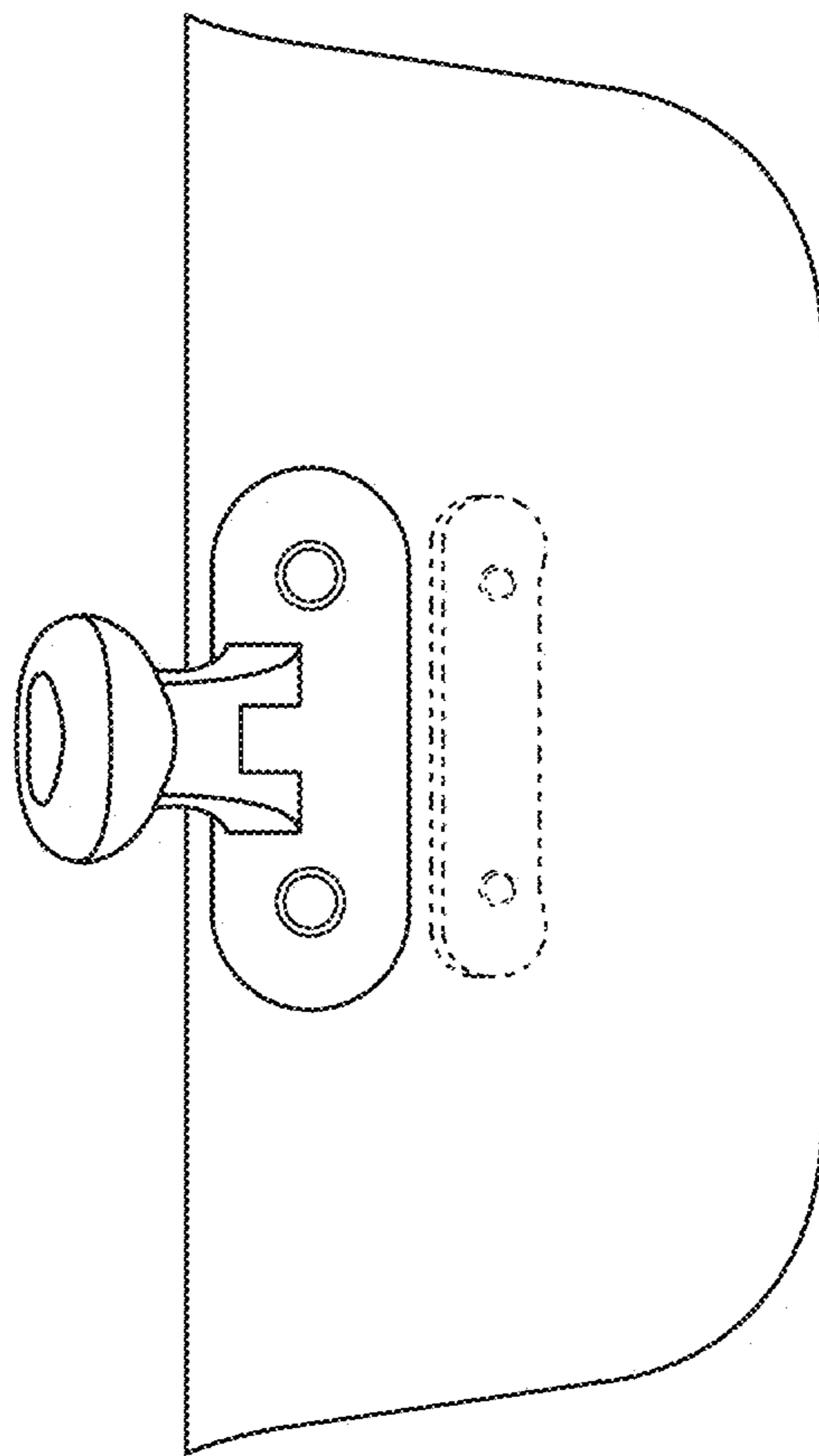


FIG. 5

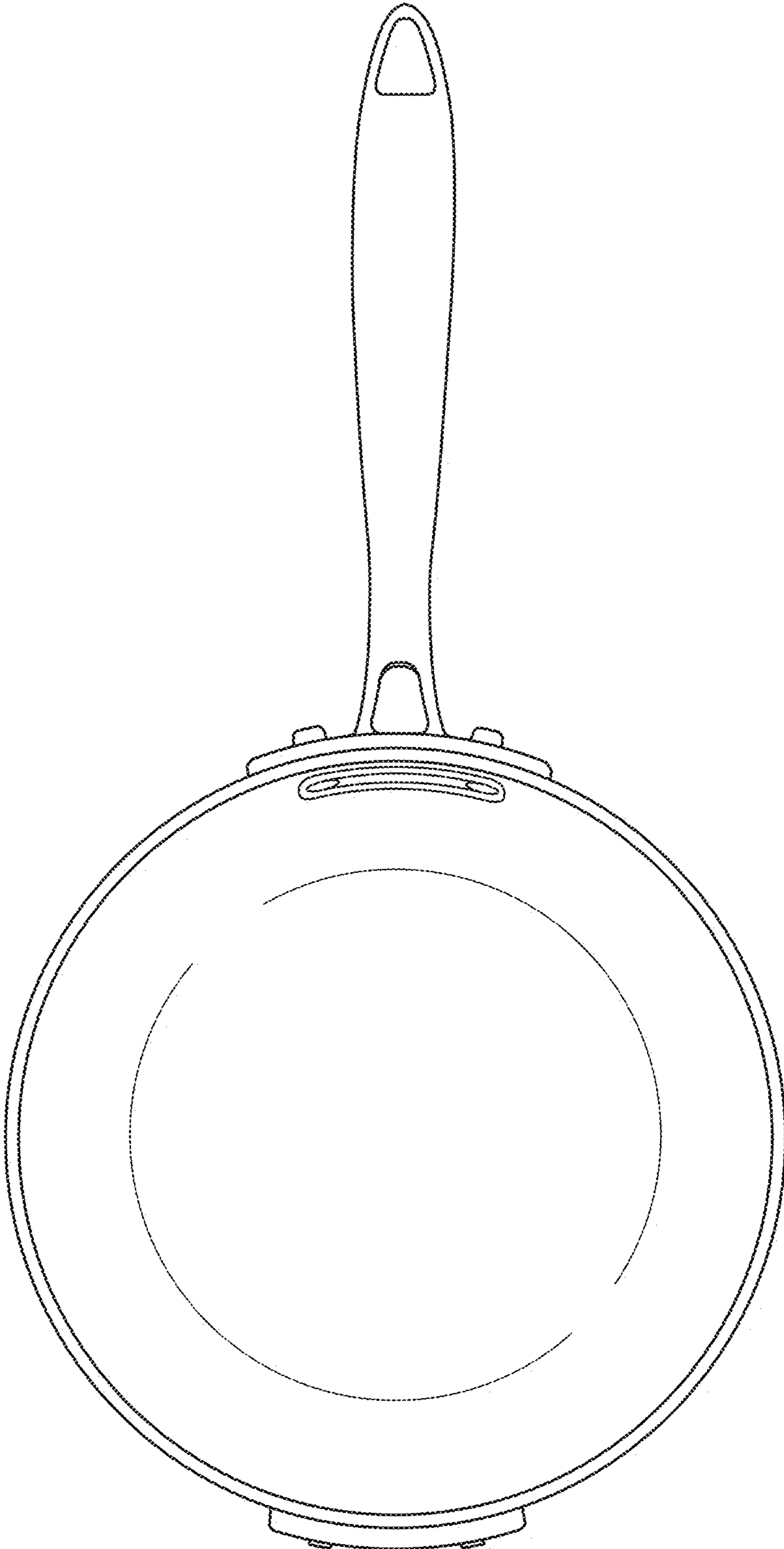


FIG. 6

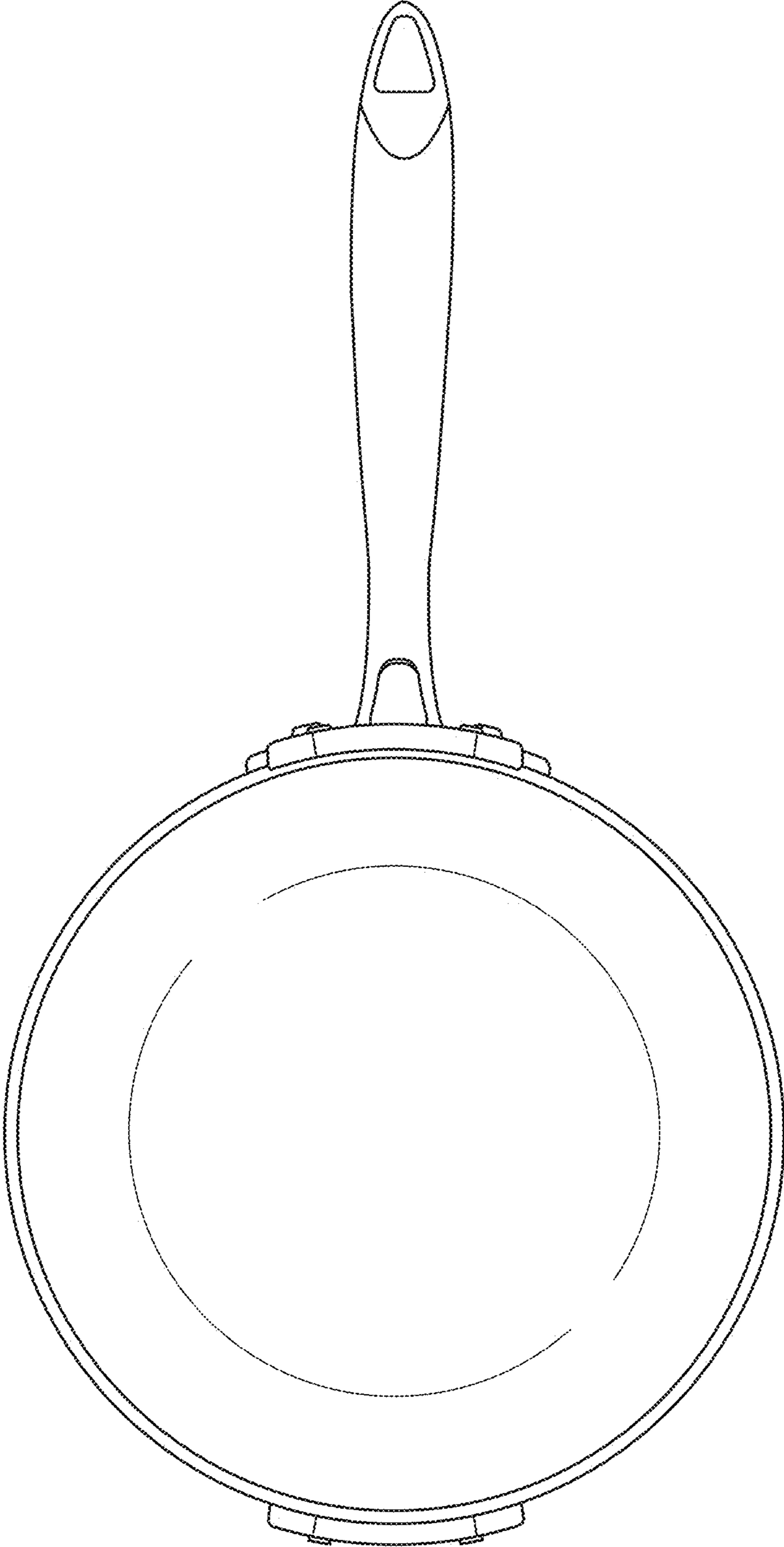


FIG. 7