



US00D879545S

(12) **United States Design Patent** (10) **Patent No.:** **US D879,545 S**
Hollinger (45) **Date of Patent:** **** Mar. 31, 2020**

(54) **STACKABLE COOKWARE**

(56) **References Cited**

- (71) Applicant: **E. MISHAN & SONS, INC.**, New York, NY (US)
- (72) Inventor: **Fred Hollinger**, Monroe Township, NJ (US)
- (73) Assignee: **E. MISHAN & SONS, INC.**, New York, NY (US)
- (**) Term: **15 Years**
- (21) Appl. No.: **29/678,430**
- (22) Filed: **Jan. 29, 2019**

U.S. PATENT DOCUMENTS

1,268,017 A	5/1918	Knight	
2,037,807 A	4/1936	Lockwood	
2,058,807 A	10/1936	Lockwood	
2,222,584 A	4/1937	Oltman	
2,116,487 A	5/1938	Jackson	
2,116,489 A	5/1938	Jackson	
2,199,687 A	5/1940	Blankenship	
2,624,487 A	1/1953	Fry	
3,641,920 A	2/1972	Kraft et al.	
4,204,609 A	5/1980	Kuhn	
4,714,012 A *	12/1987	Hernandez A47J 36/20 99/410
5,253,758 A	10/1993	Bissell, II	
D349,420 S	8/1994	Hasuike	

(Continued)

FOREIGN PATENT DOCUMENTS

AU	41207/78	10/1978
CA	1255240	6/1989

(Continued)

Primary Examiner — Ricky Pham
(74) *Attorney, Agent, or Firm* — Notaro, Michalos & Zaccaria P.C.

(57) **CLAIM**

The ornamental design for a stackable cookware, as shown and described.

DESCRIPTION

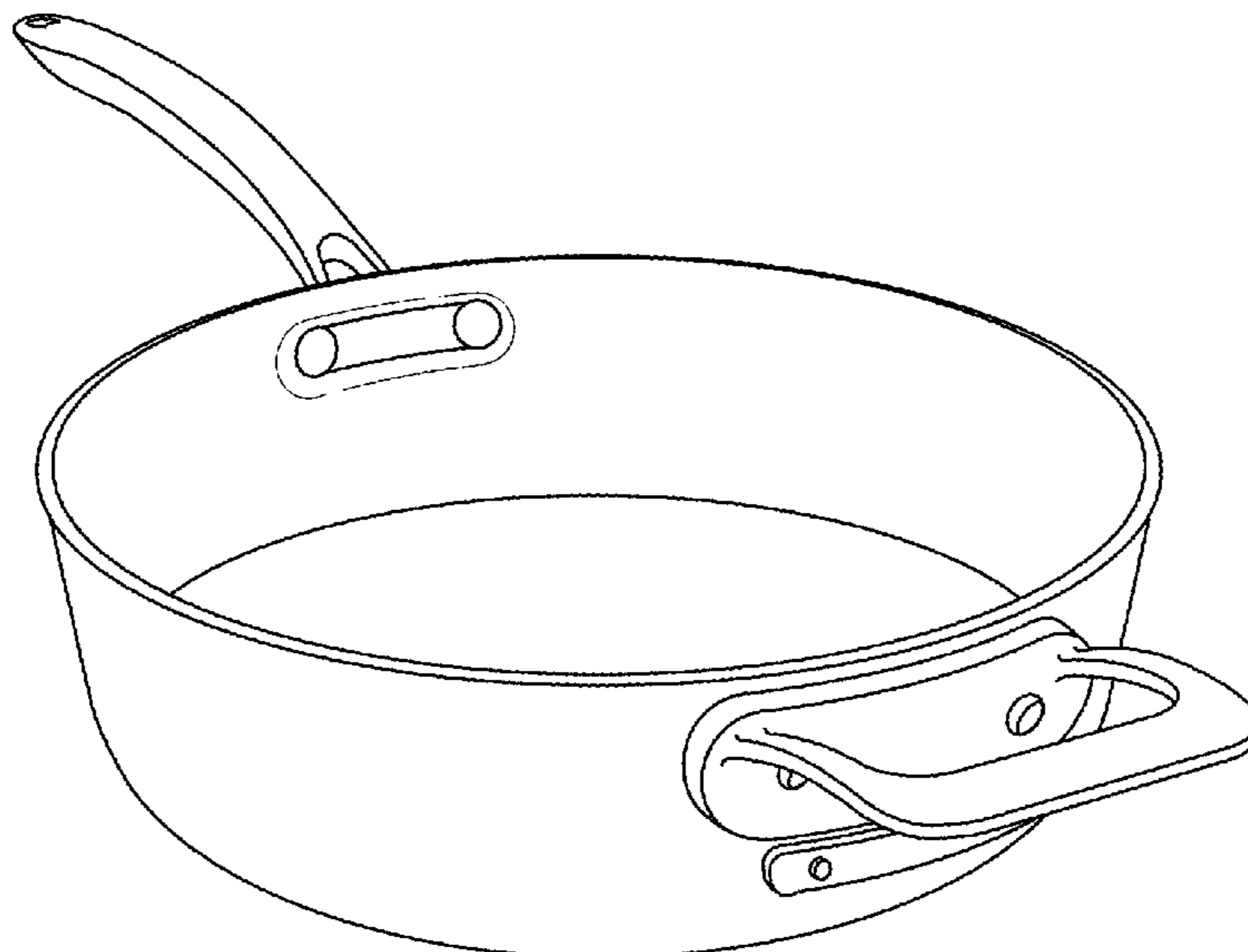
FIG. 1 is a front, right, top, perspective view of stackable cookware showing my design therefor;
FIG. 2 is a rear, top, right perspective view thereof;
FIG. 3 is a side elevational view thereof;
FIG. 4 is a front elevational view thereof;
FIG. 5 is a rear elevational view thereof;
FIG. 6 is a top plan view thereof; and,
FIG. 7 is a bottom plan view thereof.
Throughout the drawings, broken lines indicate environment and form no part of the design.

Related U.S. Application Data

- (62) Division of application No. 29/675,505, filed on Jan. 2, 2019.
- (51) **LOC (12) Cl.** **07-02**
- (52) **U.S. Cl.**
USPC **D7/360; D7/354**
- (58) **Field of Classification Search**
USPC D7/323, 354-363, 391, 393-396, 409
CPC A47G 19/12; A47J 27/00; A47J 27/002;
A47J 27/08; A47J 27/12; A47J 27/13;
A47J 27/21; A47J 27/58; A47J 27/122;
A47J 36/025; A47J 36/06; A47J 36/10;
A47J 36/12; A47J 36/20; A47J 37/00;
A47J 37/10; A47J 37/101; A47J 37/103;
A47J 37/12; A47J 37/1204; A47J 43/288;
A47J 45/061; A47J 45/071; A47J 45/06;
A47J 45/08; B65D 21/0233; B65D 45/32;
E05B 65/50; H02G 3/088; H05B 6/12;
A21B 3/15

See application file for complete search history.

1 Claim, 7 Drawing Sheets



(56)

References Cited

U.S. PATENT DOCUMENTS

D358,062 S 5/1995 Hasuike
 5,660,300 A * 8/1997 Demetrio A47J 37/10
 16/425
 D426,107 S * 6/2000 Cheng D7/393
 6,237,775 B1 5/2001 Hatch et al.
 D450,217 S * 11/2001 Rae D7/393
 7,347,327 B2 3/2008 Lobman et al.
 D639,109 S * 6/2011 Molayem D7/354
 8,123,067 B2 * 2/2012 Thomson A47J 36/06
 206/510
 8,272,531 B2 9/2012 Cuillery et al.
 8,413,840 B2 4/2013 Metaxatos et al.
 10,271,684 B1 * 4/2019 Harris A47J 36/10
 10,486,857 B2 * 11/2019 Gossens A47J 45/06
 2003/0167932 A1 9/2003 Chen
 2005/0109774 A1 * 5/2005 Orioles A21B 3/15
 220/4.27
 2009/0049650 A1 2/2009 Cuillery et al.
 2011/0056957 A1 3/2011 Cheng
 2013/0098920 A1 4/2013 Lee

2013/0306646 A1 11/2013 Cheng
 2017/0197755 A1 * 7/2017 LePinske B65D 21/0233
 2017/0247143 A1 8/2017 Gossens et al.
 2017/0290453 A1 * 10/2017 Pittman A47J 27/13
 2018/0271331 A1 * 9/2018 Lee A47J 43/288
 2019/0142207 A1 * 5/2019 Hollinger A47J 27/12
 220/573.1

FOREIGN PATENT DOCUMENTS

DE 8615346 10/1987
 DE 4330653 A1 10/1994
 DE 40008484-0004 9/2000
 DE 40008484-0022 9/2000
 DE 40200009-0006 1/2002
 DE 40200009-0008 1/2002
 DE 40200009-0009 1/2002
 DE 40502400-0010 5/2005
 DE 102009023000 A1 12/2010
 DE 3210503 A1 8/2017
 EM 003742733-0006 2/2017
 WO 2006/100367 3/2006

* cited by examiner

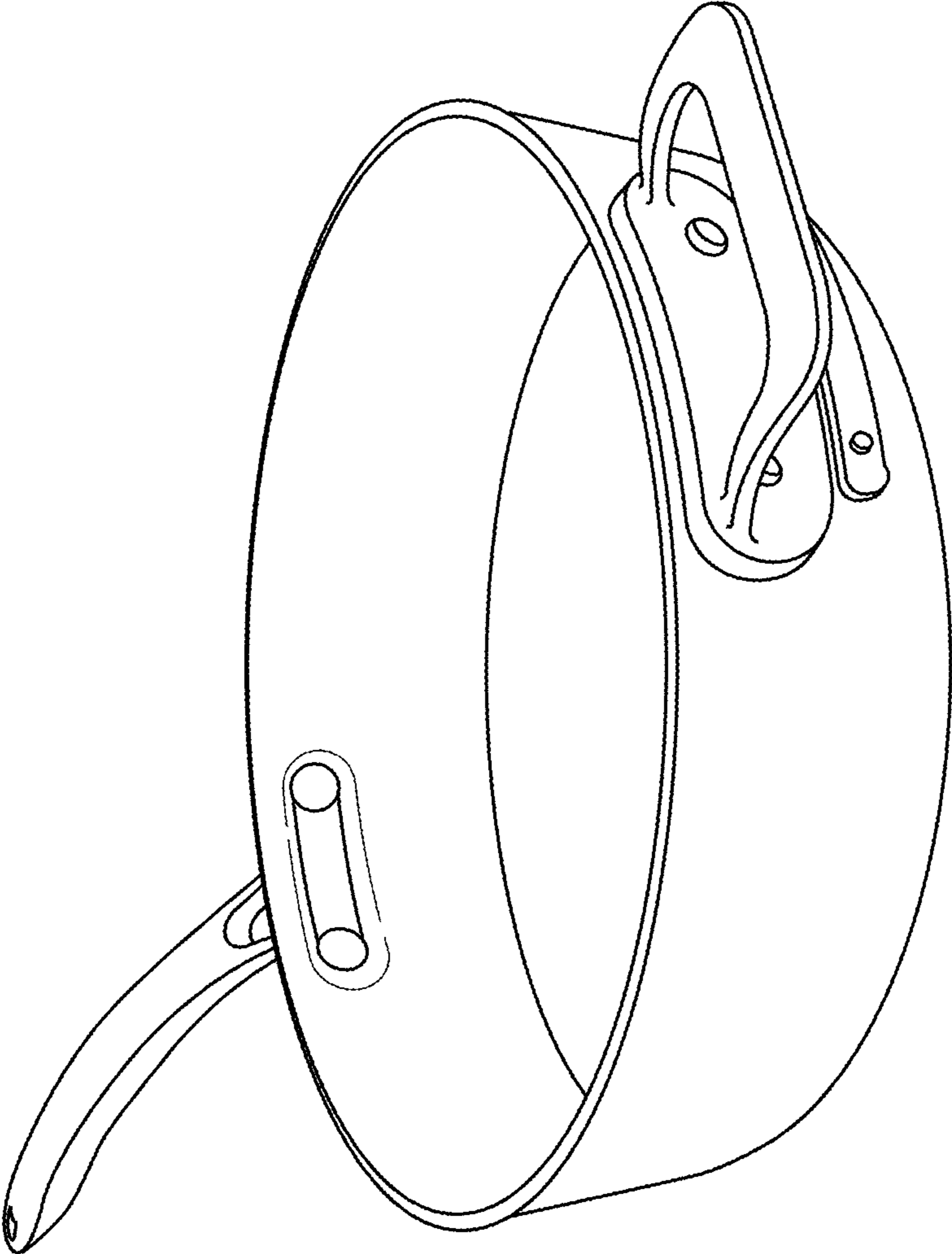


FIG. 1

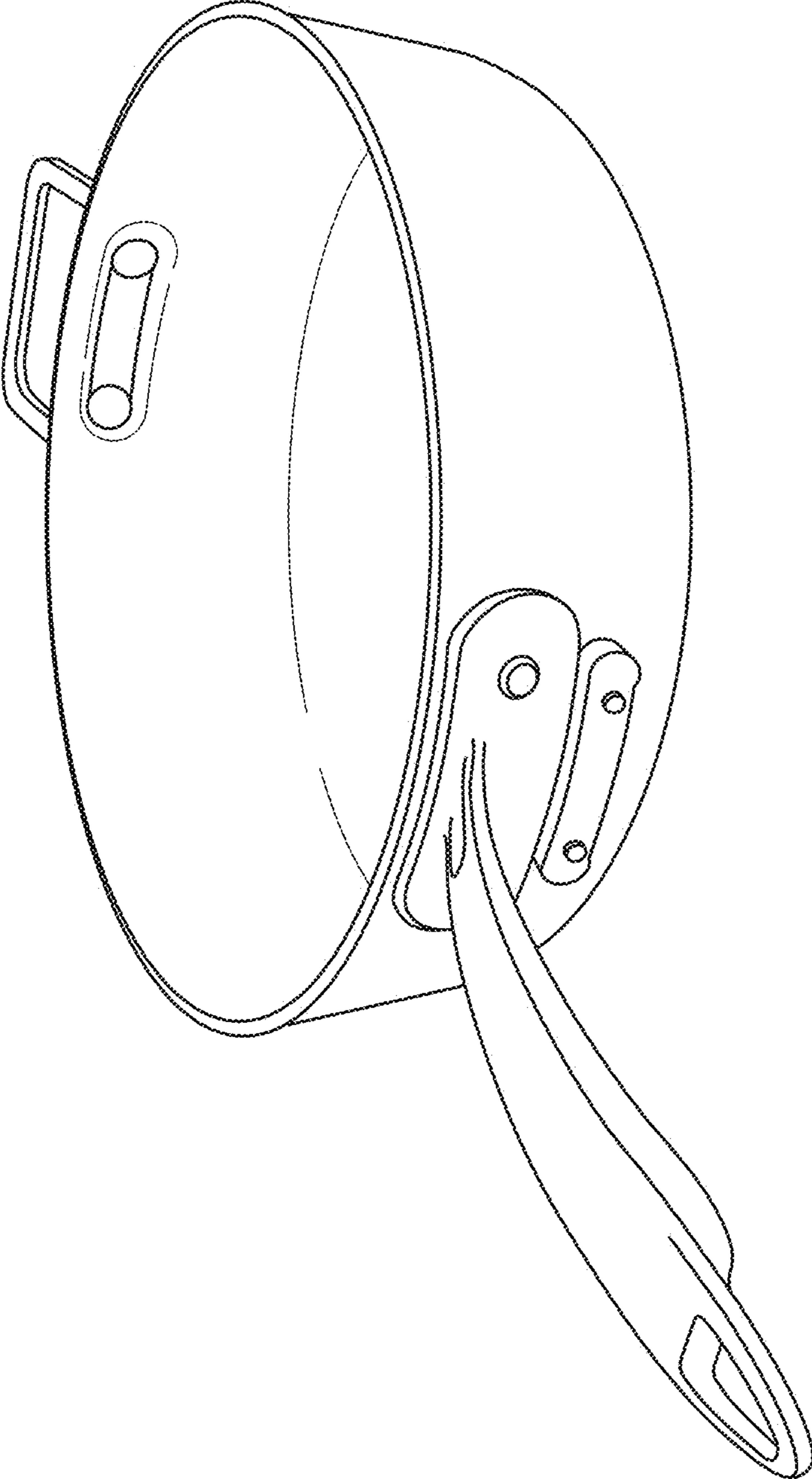


FIG. 2

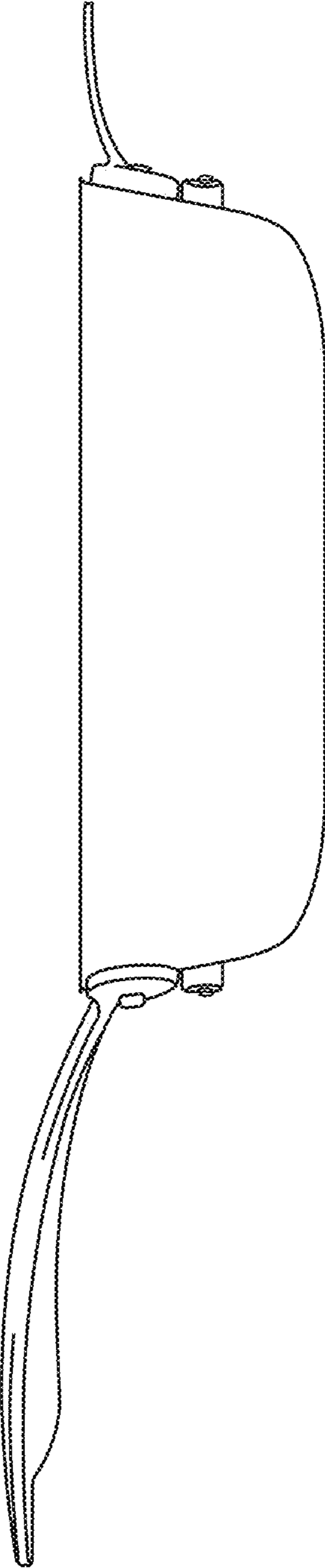


FIG. 3

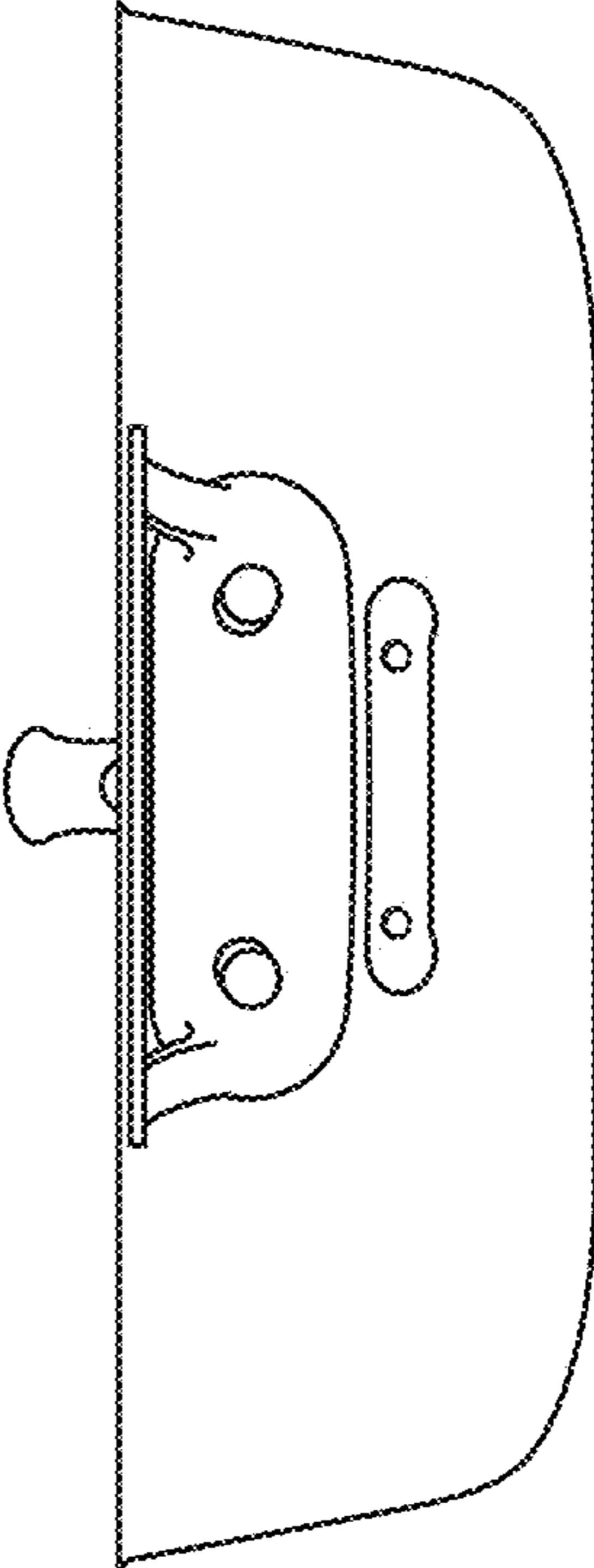


FIG. 4

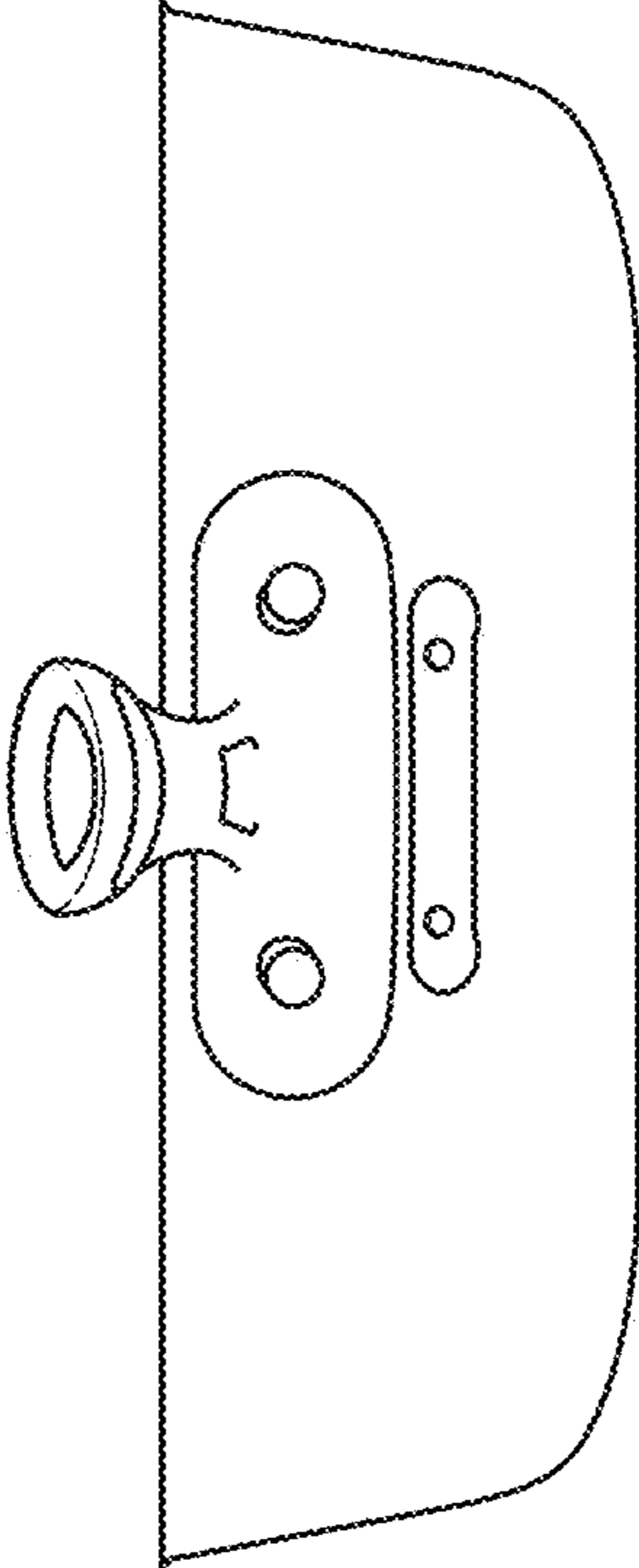


FIG. 5

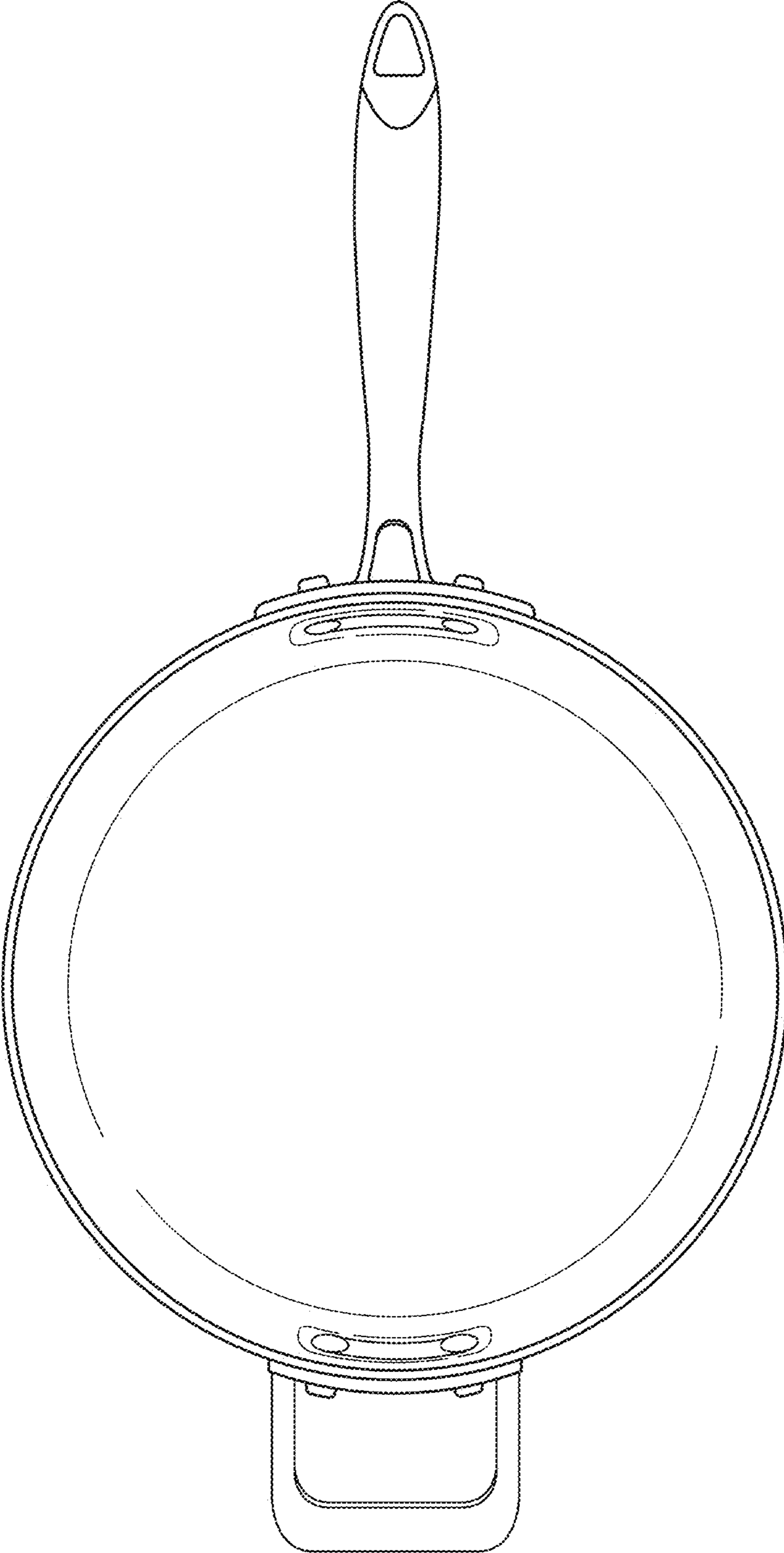


FIG. 6

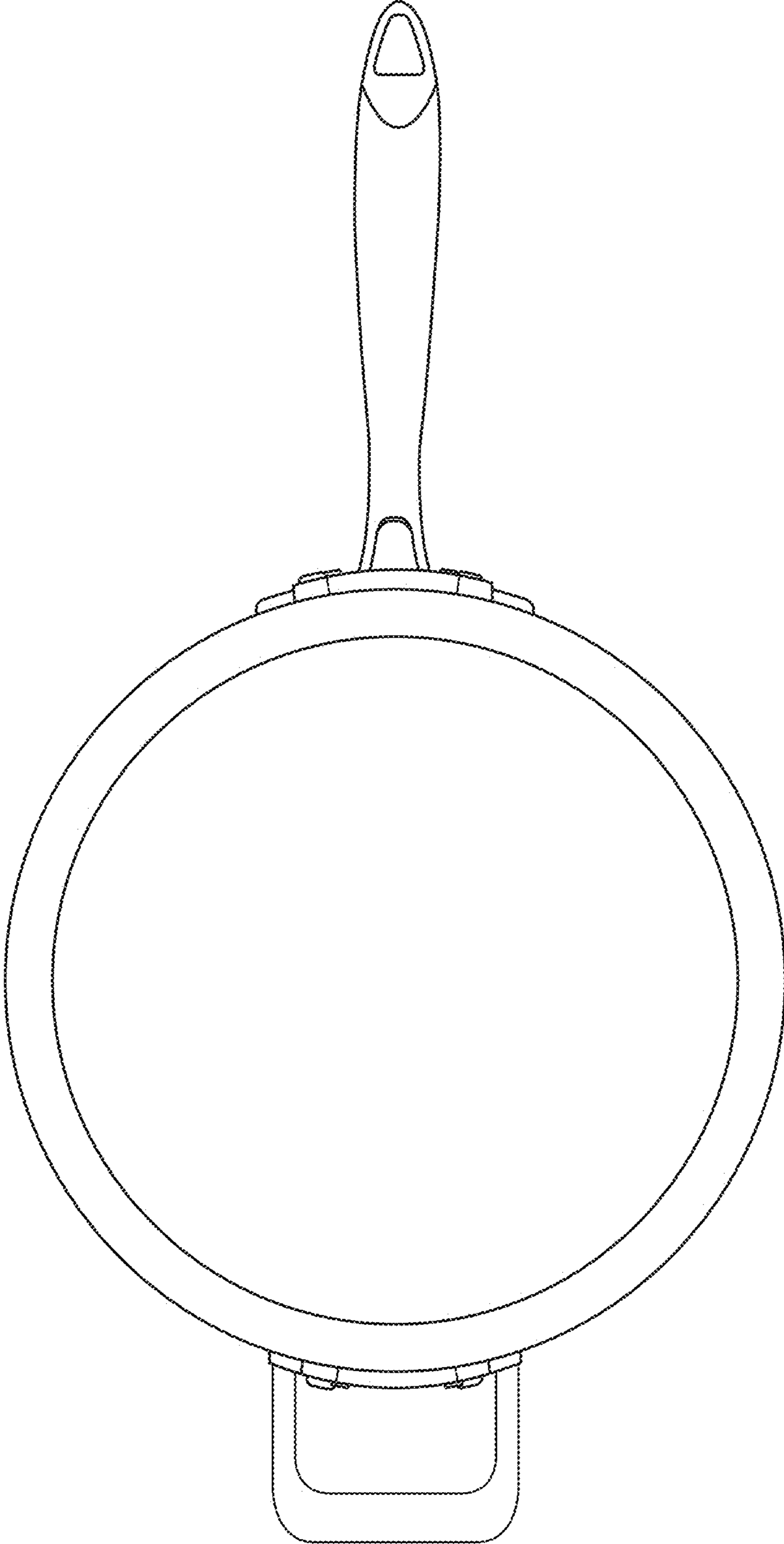


FIG. 7