



US00D879542S

(12) **United States Design Patent**
Chen

(10) **Patent No.:** **US D879,542 S**

(45) **Date of Patent:** **** Mar. 31, 2020**

- (54) **AIR FRYING PAN**
- (71) Applicant: **ZHEJIANG TIANXI KITCHEN APPLIANCE CO., LTD.**, Lishui (CN)
- (72) Inventor: **Xiyan Chen**, Gaozhou (CN)
- (**) Term: **15 Years**
- (21) Appl. No.: **29/654,544**
- (22) Filed: **Jun. 26, 2018**
- (51) **LOC (12) Cl.** **07-02**
- (52) **U.S. Cl.**
USPC **D7/354**
- (58) **Field of Classification Search**
USPC D7/323, 326, 350.2, 354-361
CPC A23L 1/01; A23L 1/0107; A23L 1/0114;
A47J 27/00; A47J 27/08; A47J 27/09;
A47J 27/092; A47J 36/025; A47J 36/06;
A47J 36/08; A47J 36/10; A47J 36/12;
A47J 36/165; A47J 36/18; A47J 36/20;
A47J 36/22; A47J 37/00; A47J 37/0641;
A47J 37/12; A47J 37/1204; A47J
37/1209; A47J 37/1214; A47J 37/1219;
A47J 37/1266; A47J 37/1285; A47J
37/129; A47J 37/1295; G07F 17/0064;
G07F 17/0078; G07F 17/0085; H05B
6/02; H05B 6/06; H05B 6/12
See application file for complete search history.

(56) **References Cited**

U.S. PATENT DOCUMENTS

- D489,935 S * 5/2004 Choi A47J 37/0641
D7/354
- D611,757 S * 3/2010 Reiner A47J 37/1266
D7/354

- D692,718 S * 11/2013 Verbrugge A47J 37/00
D7/354
- D719,397 S * 12/2014 Krooshof D7/354
- D816,390 S * 5/2018 Zhang D7/354
- D817,698 S * 5/2018 Liu D7/361
- D820,029 S * 6/2018 Zhang D7/354
- D820,031 S * 6/2018 Zhang D7/354
- D836,381 S * 12/2018 Moon D7/354
- D839,040 S * 1/2019 Seymour D7/354
- 2014/0366746 A1 * 12/2014 Tsai A47J 37/00
99/403
- 2017/0231430 A1 * 8/2017 Moon A47J 37/1266
99/331
- 2017/0245686 A1 * 8/2017 Man A47J 37/0641

* cited by examiner

Primary Examiner — Ricky Pham

(74) *Attorney, Agent, or Firm* — W&K IP

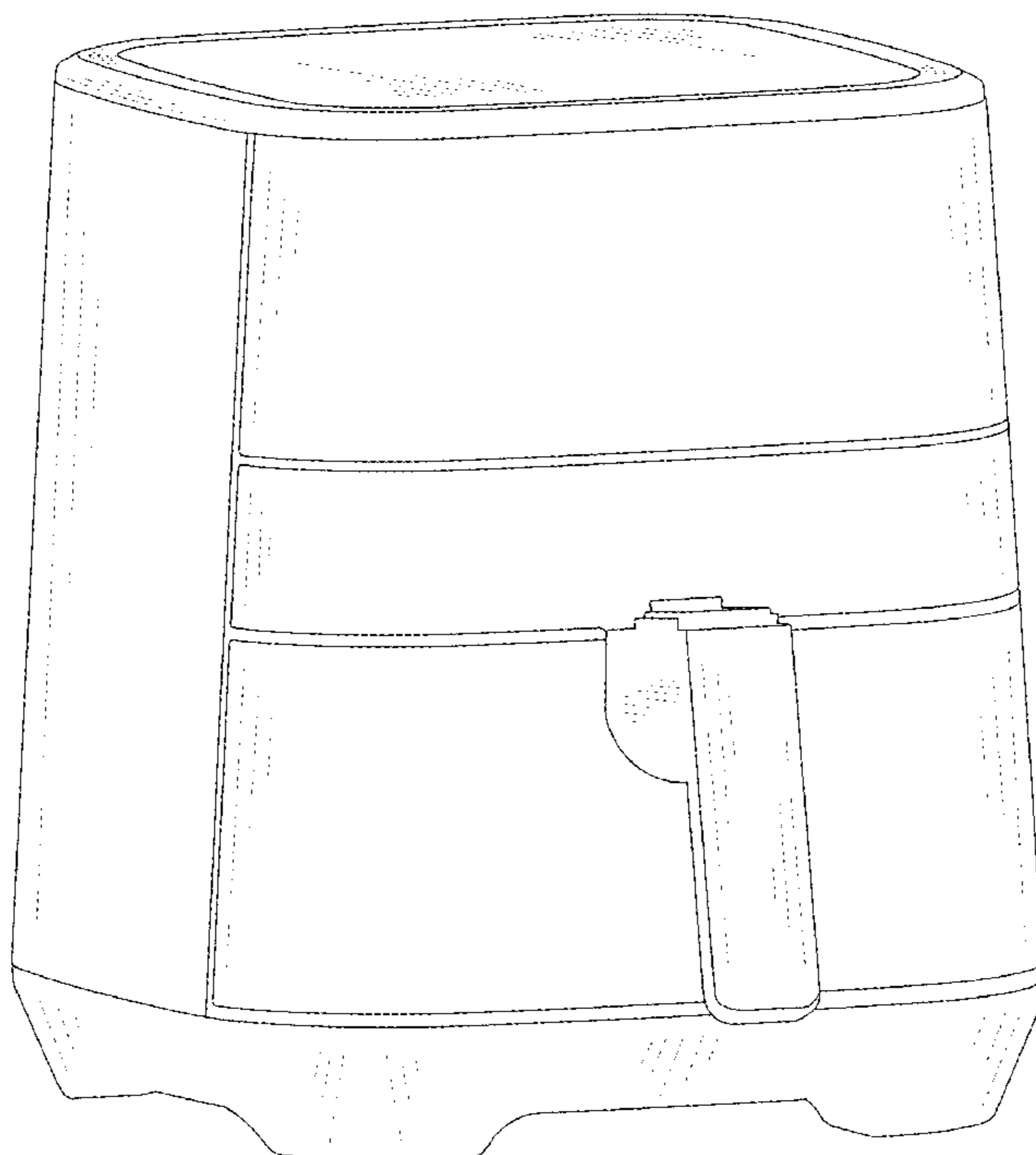
(57) **CLAIM**

The ornamental design for an air frying pan, as shown and described.

DESCRIPTION

FIG. 1 is a front perspective view of an air frying pan;
 FIG. 2 is a back perspective view thereof;
 FIG. 3 is a front view thereof;
 FIG. 4 is a back view thereof;
 FIG. 5 is a left side view thereof;
 FIG. 6 is a right side view thereof;
 FIG. 7 is a top plan view thereof; and,
 FIG. 8 is a bottom plan view thereof.
 The portions of the article shown in broken lines form no part of the claimed design.

1 Claim, 8 Drawing Sheets



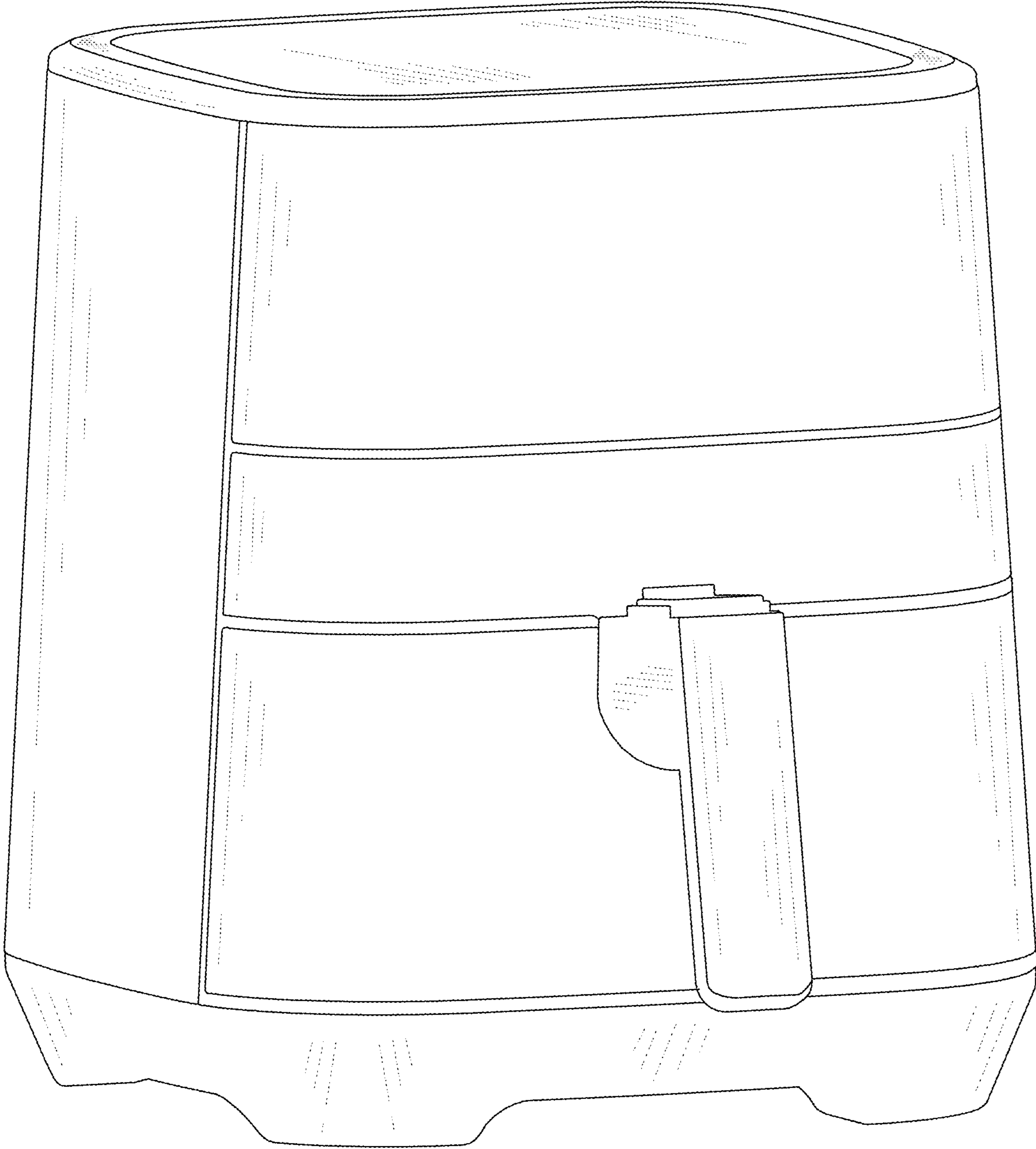


FIG.1

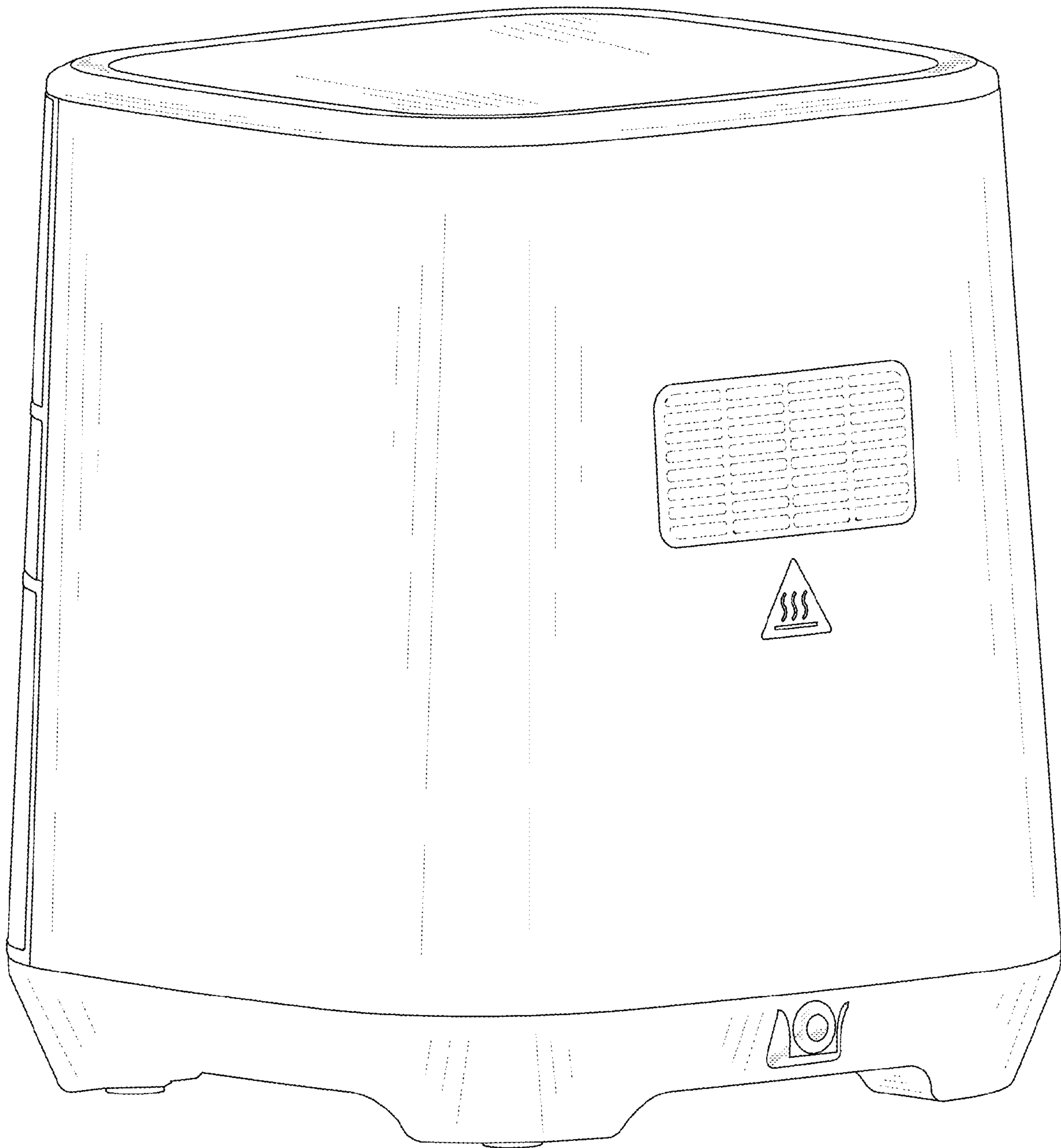


FIG. 2

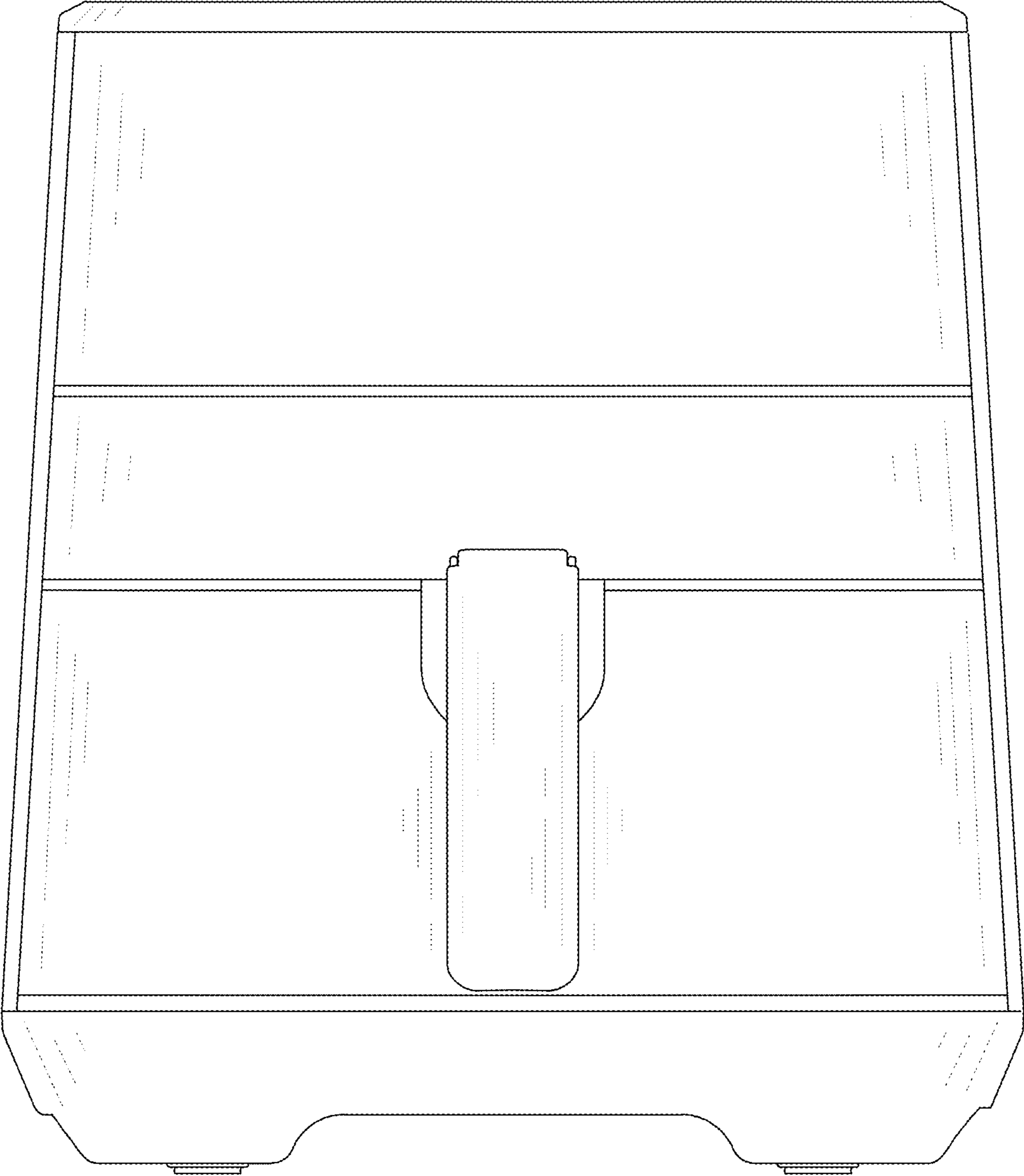


FIG. 3

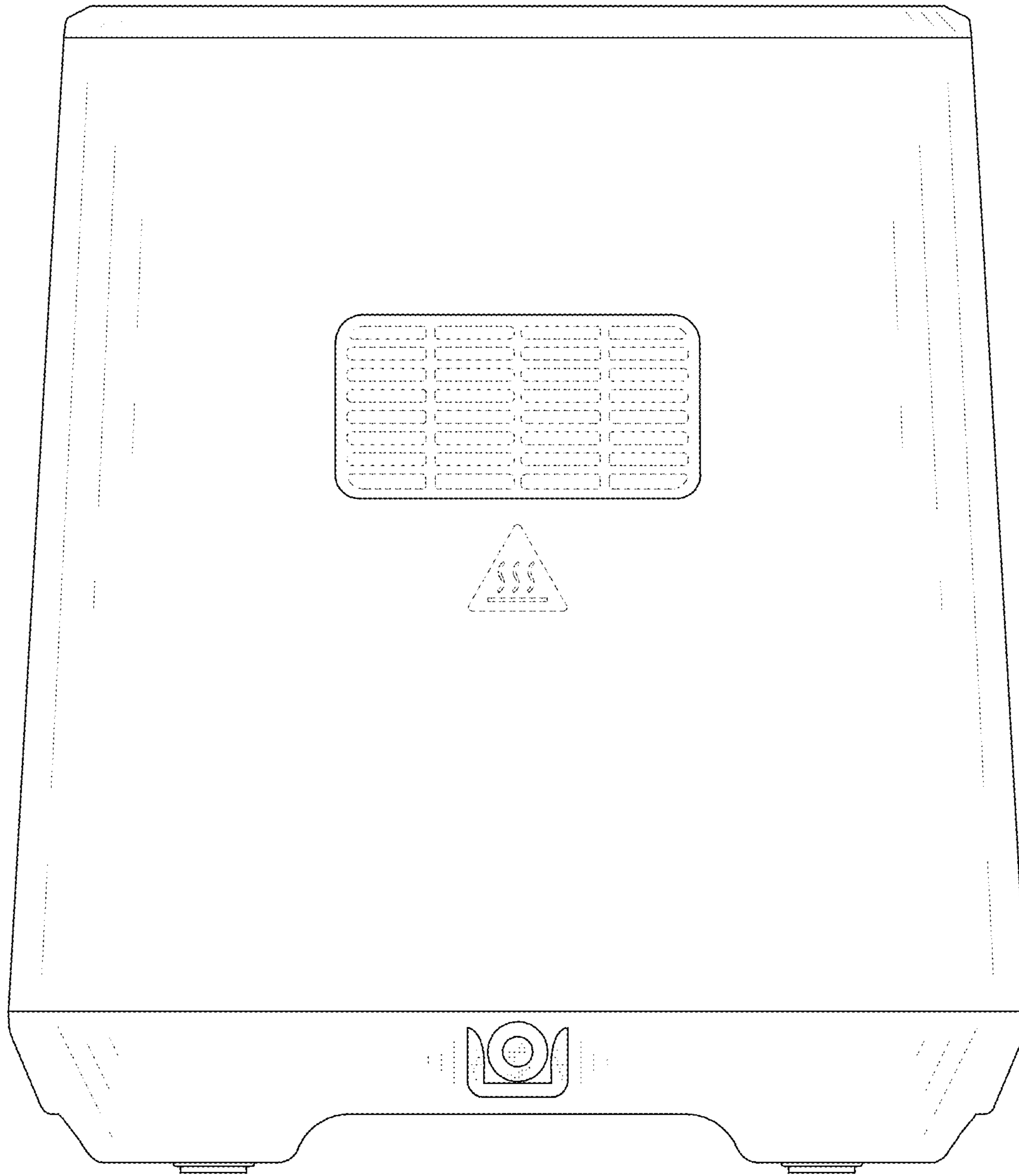


FIG. 4

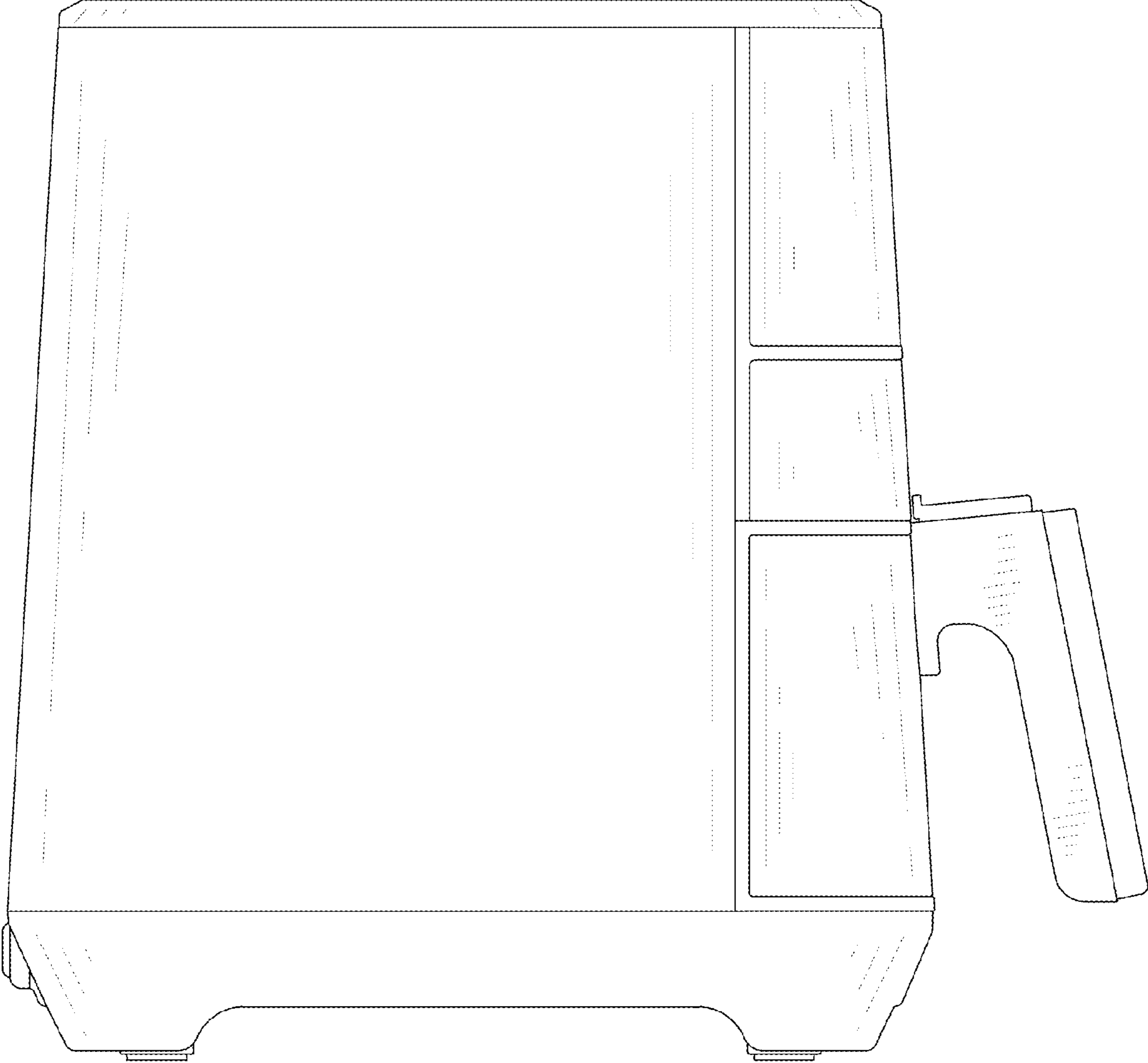


FIG. 5

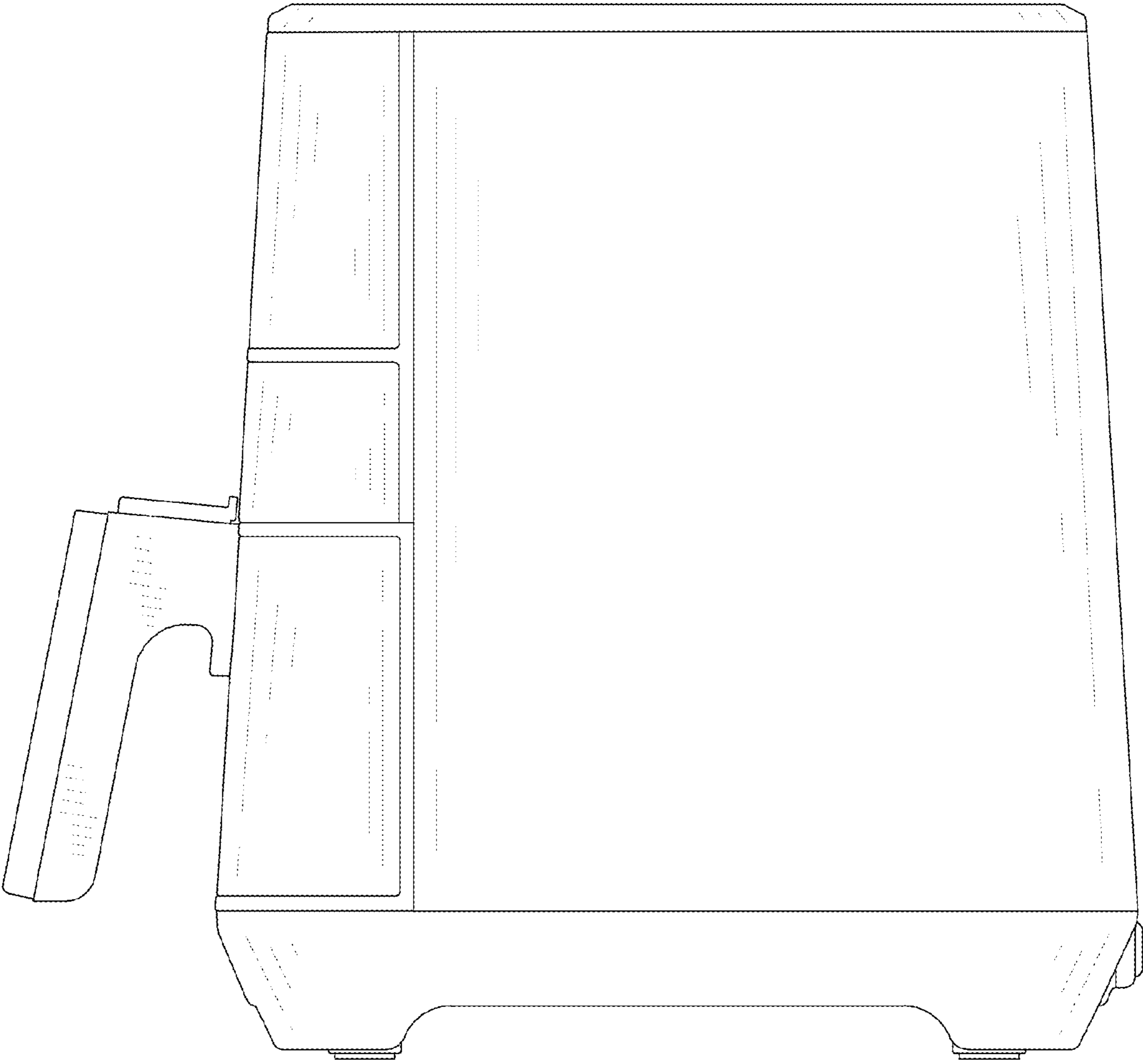


FIG.6

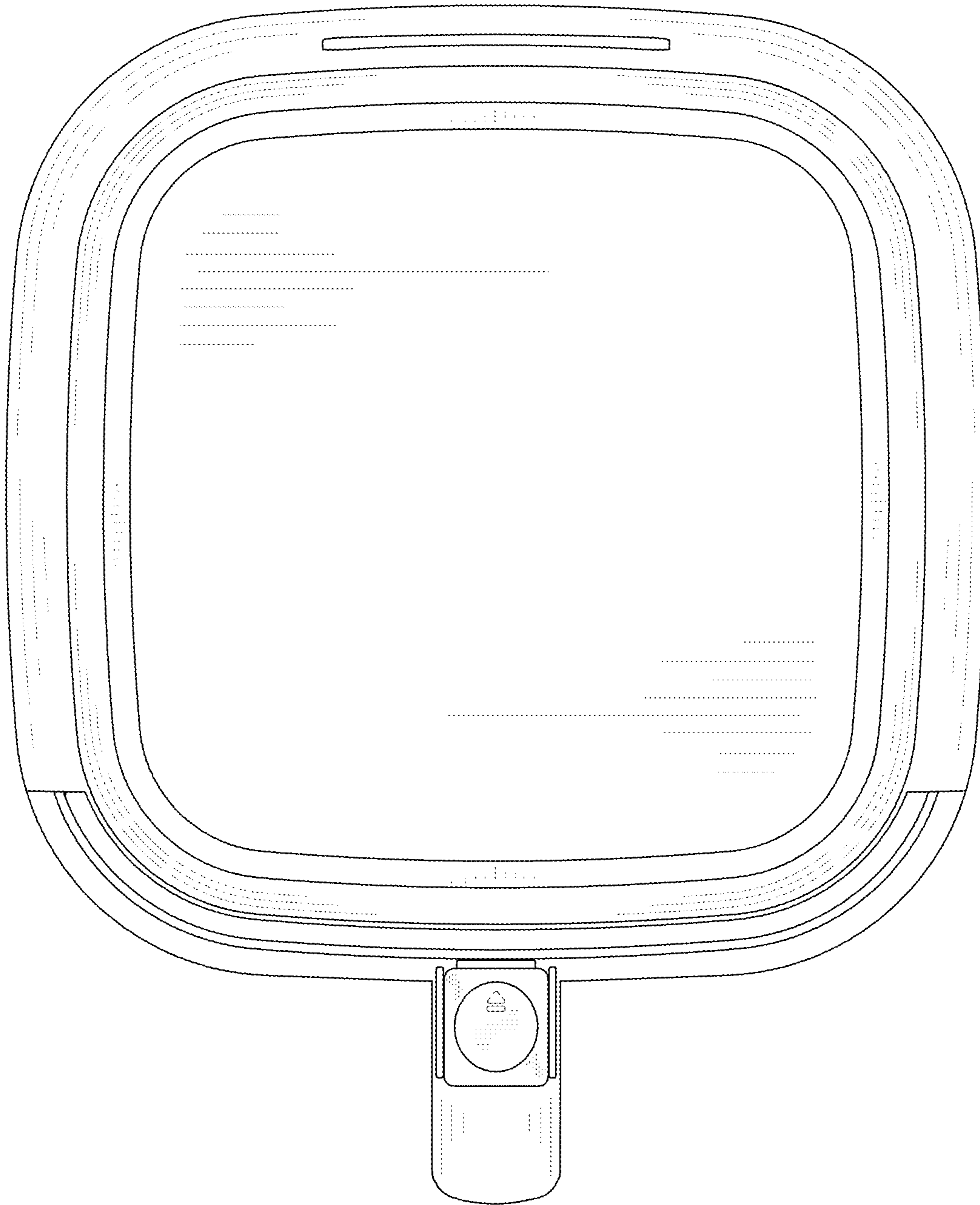


FIG. 7

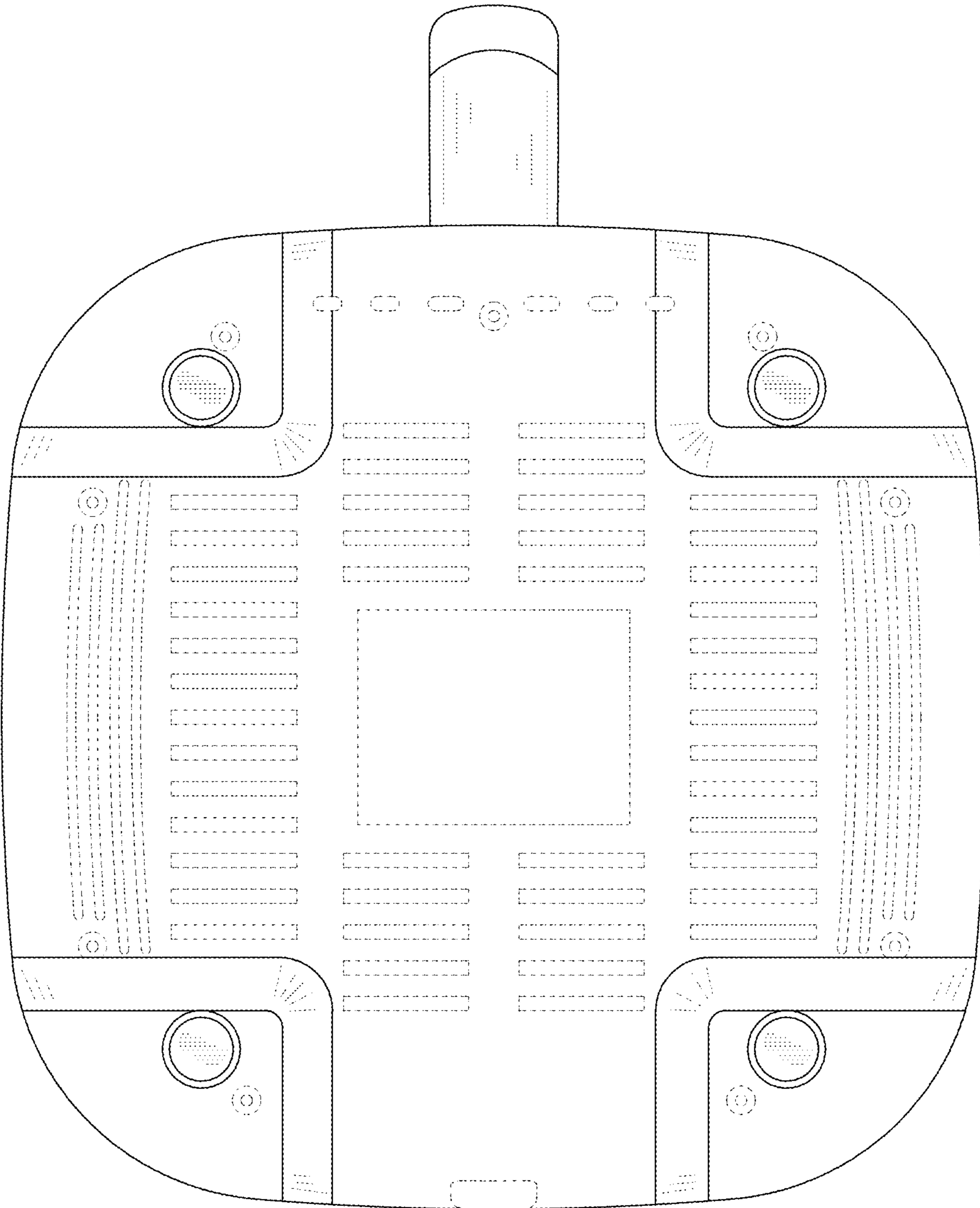


FIG. 8