

US00D879538S

(12) **United States Design Patent**
Cuffaro

(10) **Patent No.:** **US D879,538 S**

(45) **Date of Patent:** **** *Mar. 31, 2020**

(54) **COOKING STOVE**

(71) Applicant: **Daniel F. Cuffaro**, Lakewood, OH (US)

(72) Inventor: **Daniel F. Cuffaro**, Lakewood, OH (US)

(*) Notice: This patent is subject to a terminal disclaimer.

(**) Term: **15 Years**

(21) Appl. No.: **29/594,048**

(22) Filed: **Feb. 15, 2017**

(51) **LOC (12) Cl.** **07-02**

(52) **U.S. Cl.**
USPC **D7/332; D7/346**

(58) **Field of Classification Search**
USPC D7/332-337, 352-353, 362-367,
D7/402-409, 348, 346
CPC A47J 37/07-0786; A47J 37/06; A47J
37/0611; A47J 37/0623-0641; A47J
37/067-0676; A47J 36/26; A47J 33/00;
F24B 1/18-28; F24B 1/022; F24B 1/202;
F24B 1/205; F24B 1/207; F24B 1/003;
F24C 1/16; F24C 3/14
See application file for complete search history.

(56) **References Cited**

U.S. PATENT DOCUMENTS

162,924 A * 5/1875 Houchin F24C 3/14
126/38
D24,753 S * 10/1895 Roper D7/346

D43,917 S * 4/1913 Waterman D7/346
1,448,900 A * 3/1923 McElroy F24C 5/20
D7/337
D140,792 S * 4/1945 Baker D7/402
D145,030 S * 6/1946 Nieman D7/402
D193,232 S * 7/1962 Brown D7/346
D746,094 S * 12/2015 Tan D7/332
D746,095 S * 12/2015 Tan D7/332
D807,103 S * 1/2018 Lorenz D7/332
2017/0234544 A1 * 8/2017 Cuffaro F24B 1/205
126/9 R

* cited by examiner

Primary Examiner — Brett Miller

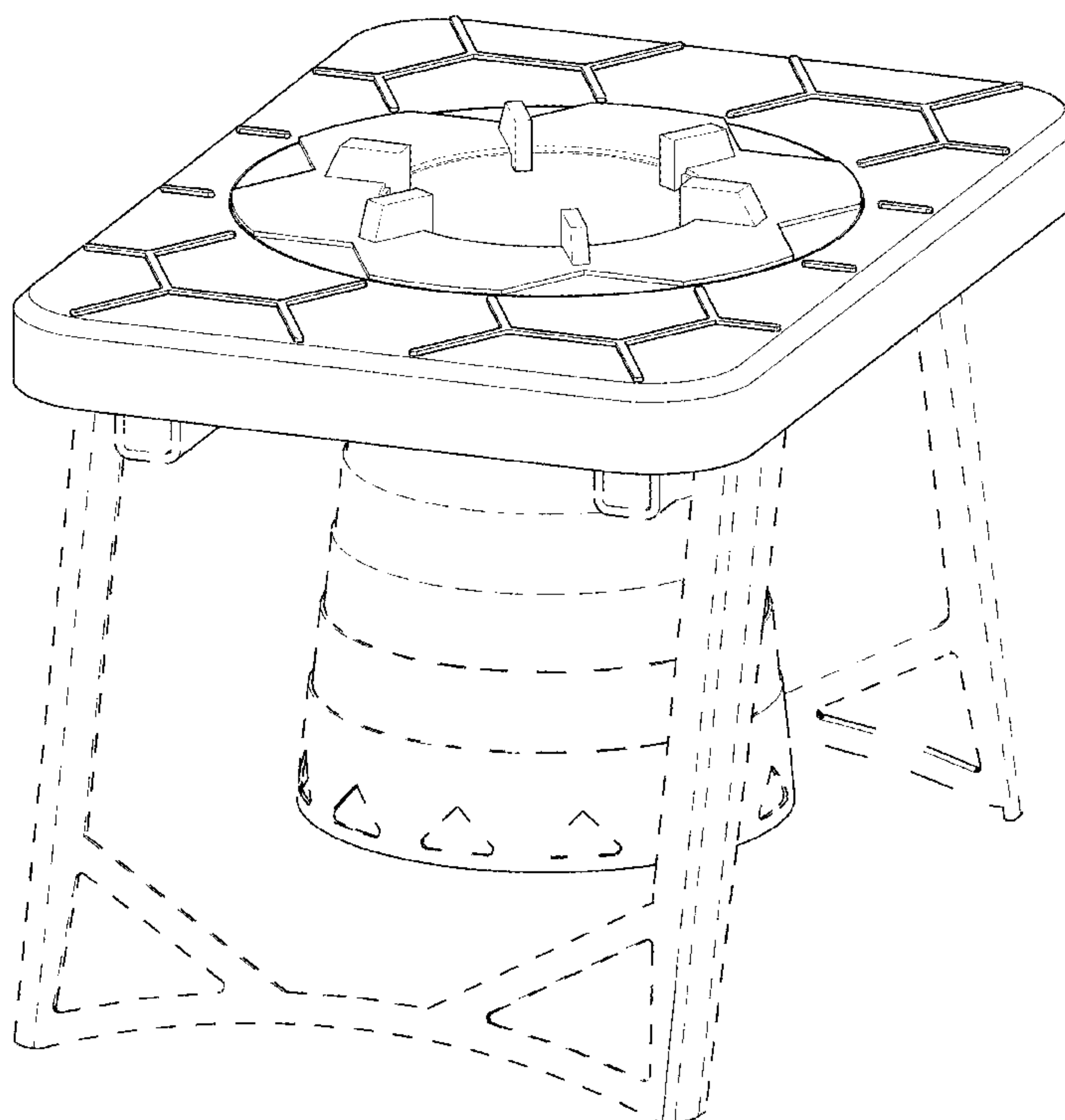
(57) **CLAIM**

The ornamental design for a cooking stove, as shown and described.

DESCRIPTION

FIG. 1 illustrates a top view of the cooking stove.
FIG. 2 illustrates a side view of the cooking stove.
FIG. 3 illustrates a perspective view of the cooking stove;
and,
FIG. 4 illustrates an exploded view of the cooking stove.
The broken lines in the Figures form no part of the claimed design.

1 Claim, 3 Drawing Sheets



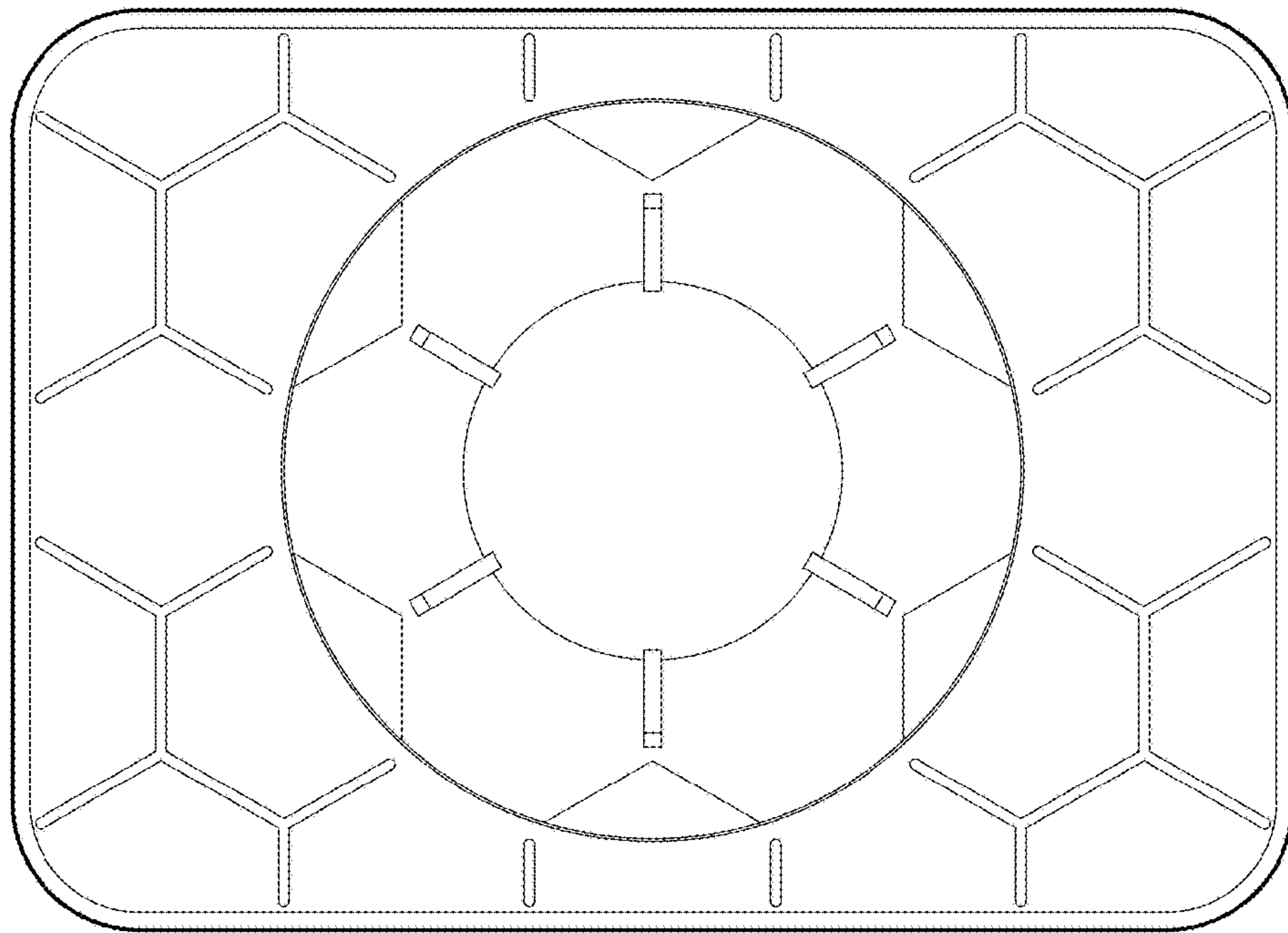


FIG. 1

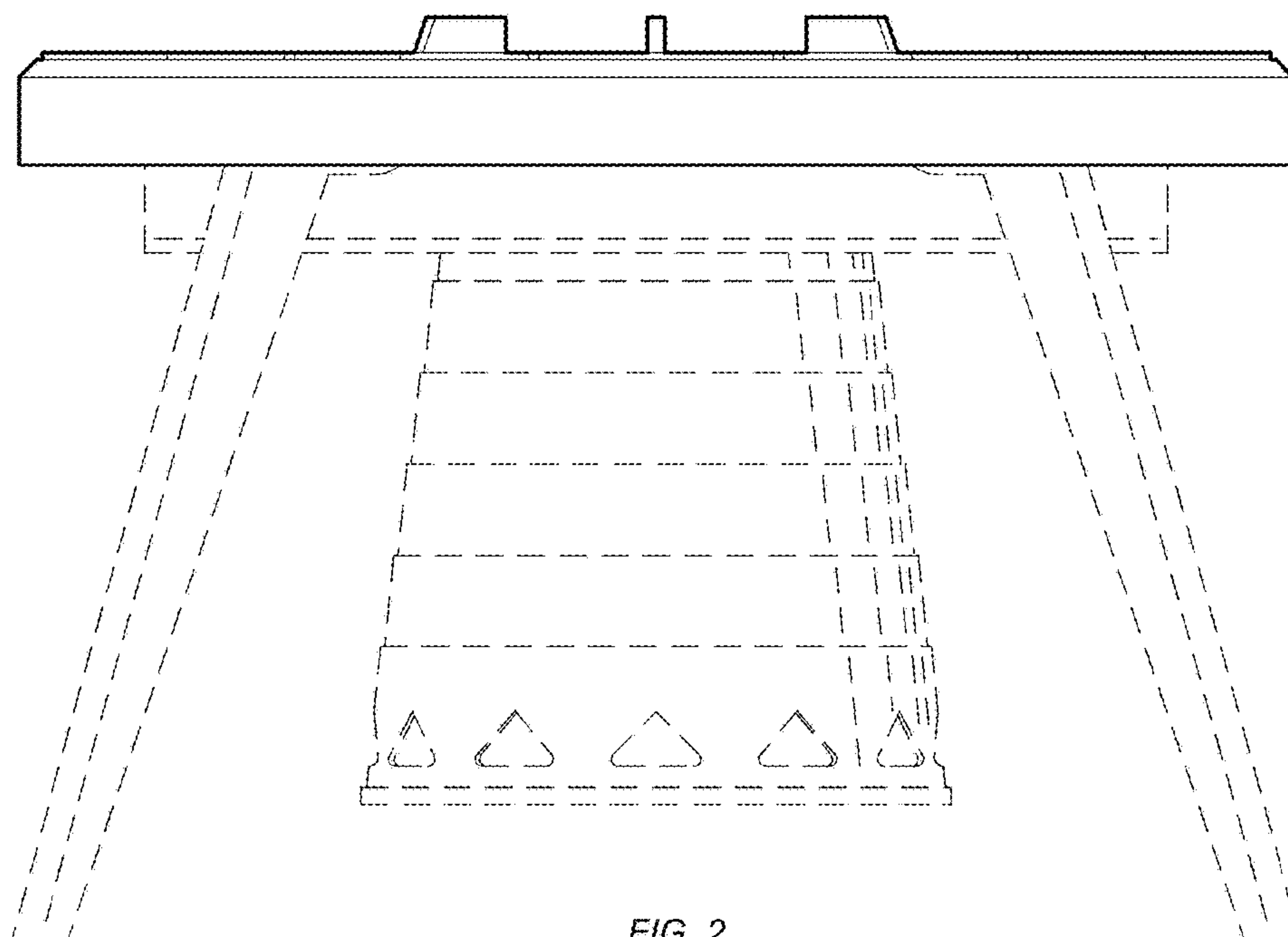


FIG. 2

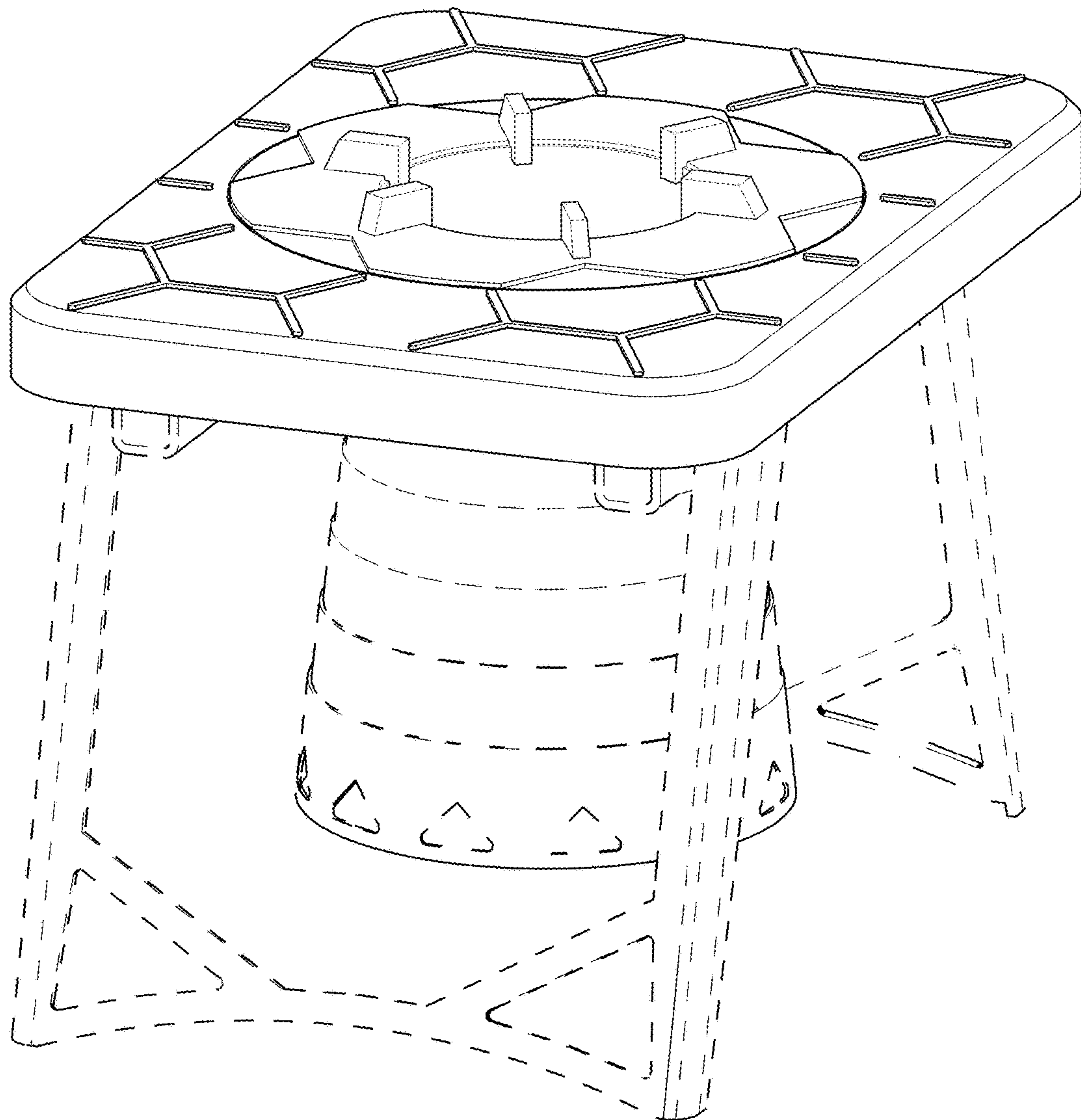


FIG. 3

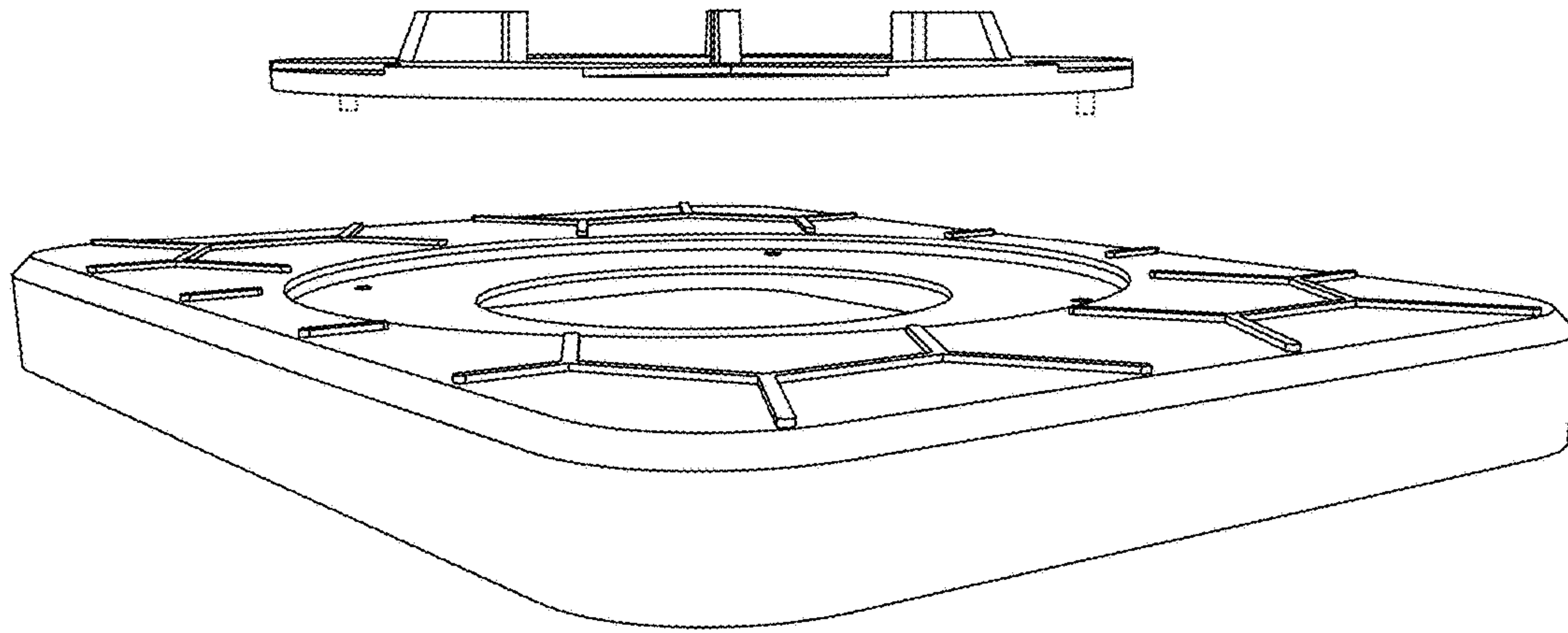


FIG. 4