



US00D879536S

(12) **United States Design Patent**  
**Fisher Wong et al.**

(10) **Patent No.:** **US D879,536 S**  
(45) **Date of Patent:** **\*\* Mar. 31, 2020**

- (54) **CARAFE**
- (71) Applicant: **Sunbeam Products, Inc.**, Boca Raton, FL (US)
- (72) Inventors: **Allen Dean Fisher Wong**, Portage, MI (US); **Jeffrey M. Browne**, Portage, MI (US)
- (73) Assignee: **Sunbeam Products, Inc.**, Boca Raton, FL (US)
- (\*\*) Term: **15 Years**

4,907,719 A *	3/1990	Spotholz	.....	A47G 19/12
				220/216
D338,591 S *	8/1993	Wyatt	.....	D7/316
D445,628 S *	7/2001	McGroary	.....	D7/317
6,394,322 B1 *	5/2002	Sekiya	.....	A47G 19/12
				222/465.1
D475,252 S *	6/2003	Lynd	.....	D7/317
D480,593 S *	10/2003	Nybakke	.....	D7/317
D527,940 S *	9/2006	Cohen	.....	D7/317
D567,568 S *	4/2008	Bodum	.....	D7/316
D668,905 S *	10/2012	Lane	.....	D7/317
D728,298 S *	5/2015	Ma	.....	D7/317
D811,149 S *	2/2018	Barquin	.....	D7/318
D813,588 S *	3/2018	McConnell	.....	D7/318
D864,646 S *	10/2019	Josancy	.....	D7/317

\* cited by examiner

- (21) Appl. No.: **29/663,648**
- (22) Filed: **Sep. 18, 2018**
- (51) **LOC (12) Cl.** ..... **07-01**
- (52) **U.S. Cl.**  
USPC ..... **D7/317**; D7/319
- (58) **Field of Classification Search**  
USPC ..... D7/598, 312, 317, 316, 318, 319, 300;  
D11/153, 146  
CPC ..... A47G 19/22; A47G 19/16; A47G 19/12;  
A47J 41/0094  
See application file for complete search history.

*Primary Examiner* — Marianne N Pandozzi  
(74) *Attorney, Agent, or Firm* — Husch Blackwell LLP

(57) **CLAIM**

The ornamental design for the of carafe, as shown and described.

**DESCRIPTION**

FIG. 1 is a perspective view of a carafe showing our new design;  
FIG. 2 is front view thereof;  
FIG. 3 is a rear view thereof;  
FIG. 4 is a right side view thereof;  
FIG. 5 is a left side view thereof;  
FIG. 6 is a top plan view thereof; and,  
FIG. 7 is a bottom plan view thereof.  
The broken lines in the drawings depict portions of the carafe that form no part of the claimed design.

(56) **References Cited**

**U.S. PATENT DOCUMENTS**

D236,179 S *	8/1975	Gieger	.....	D7/317
D270,602 S *	9/1983	Fritz	.....	D10/46.2
D284,927 S *	8/1986	Zimmermann	.....	D7/317
D286,364 S *	10/1986	Gecchelin	.....	D7/317
D303,904 S *	10/1989	Wolfenden	.....	D7/317
D306,547 S *	3/1990	Wolfenden	.....	D7/317

**1 Claim, 4 Drawing Sheets**

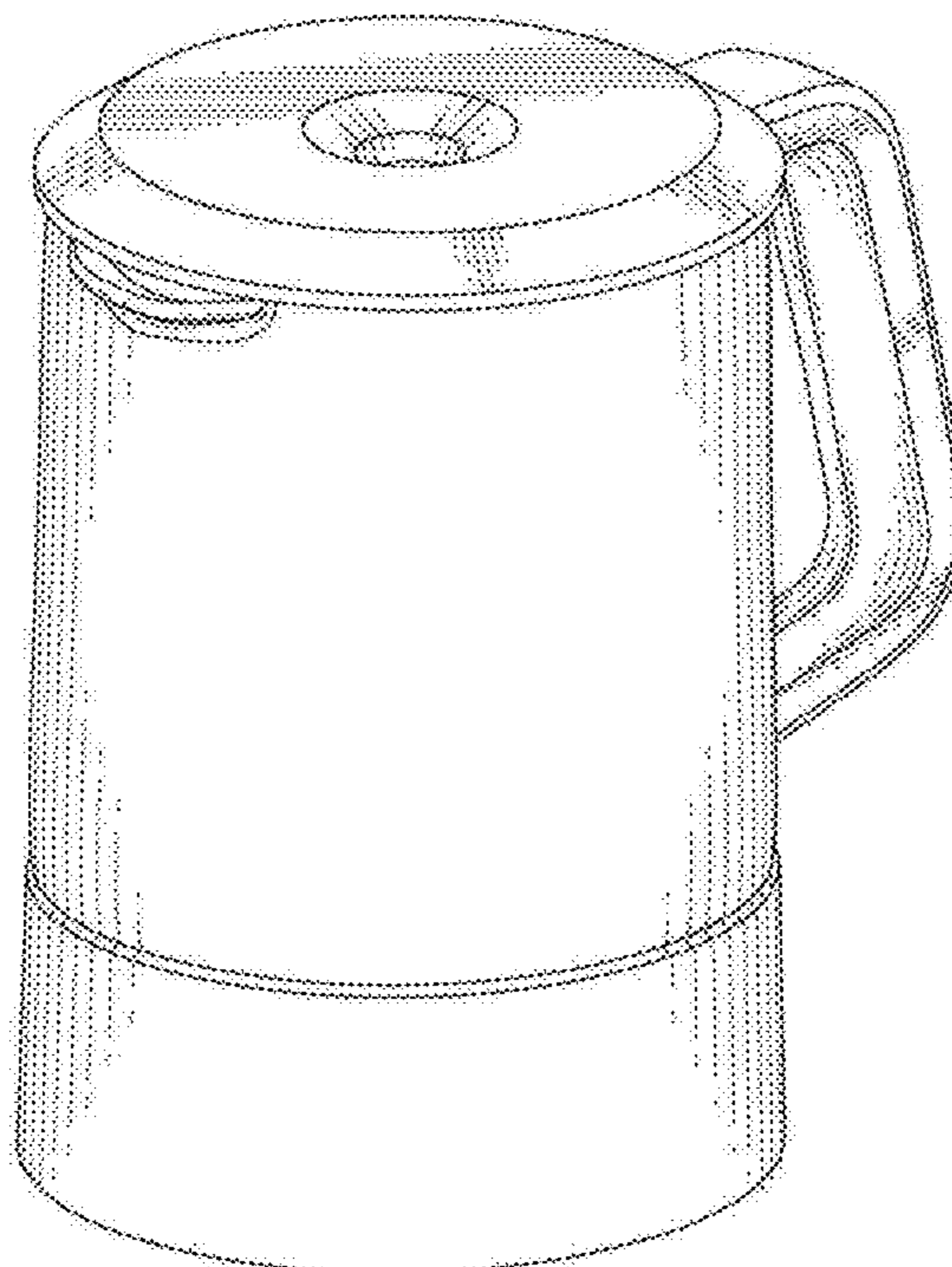


FIG. 1

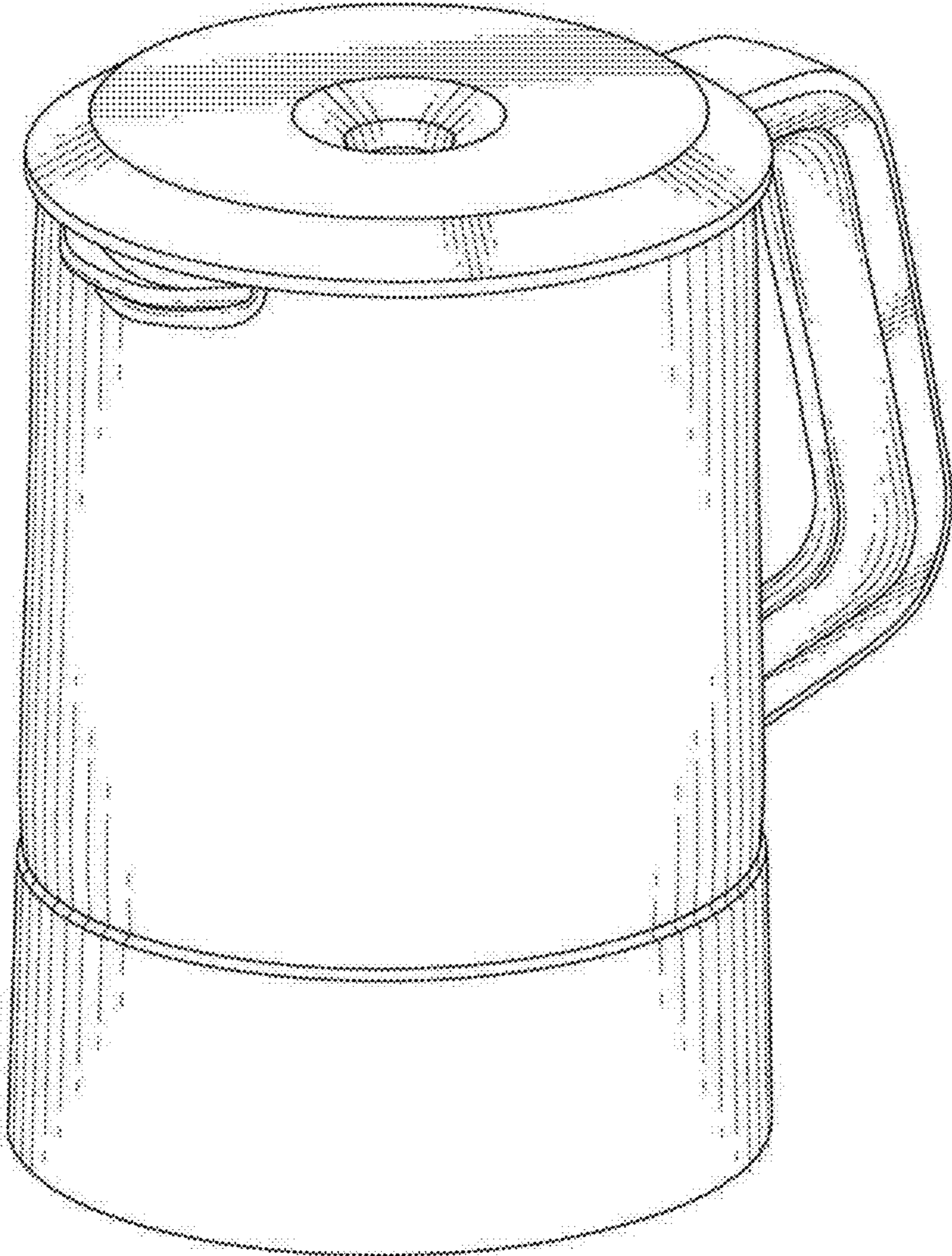


FIG. 3

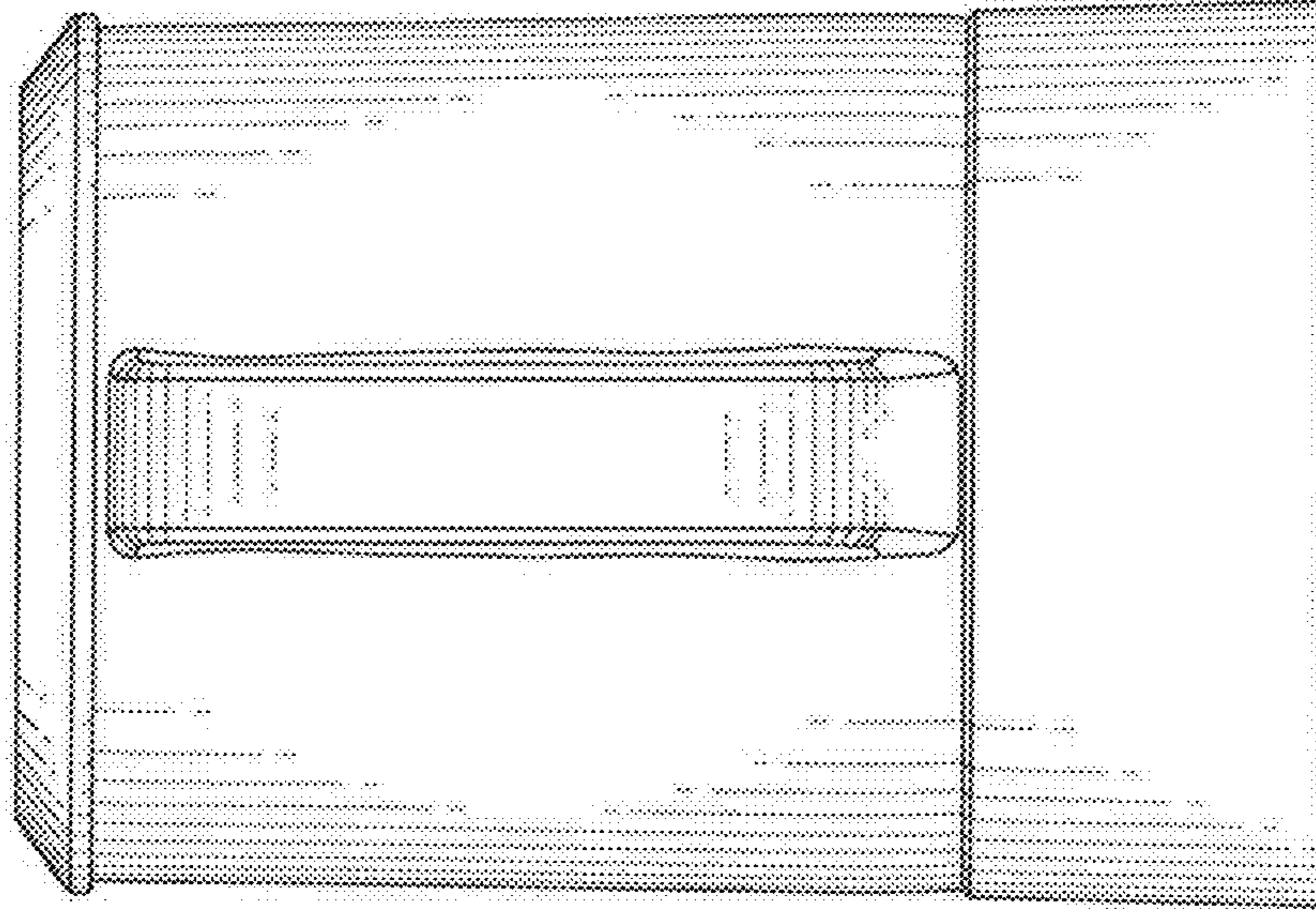
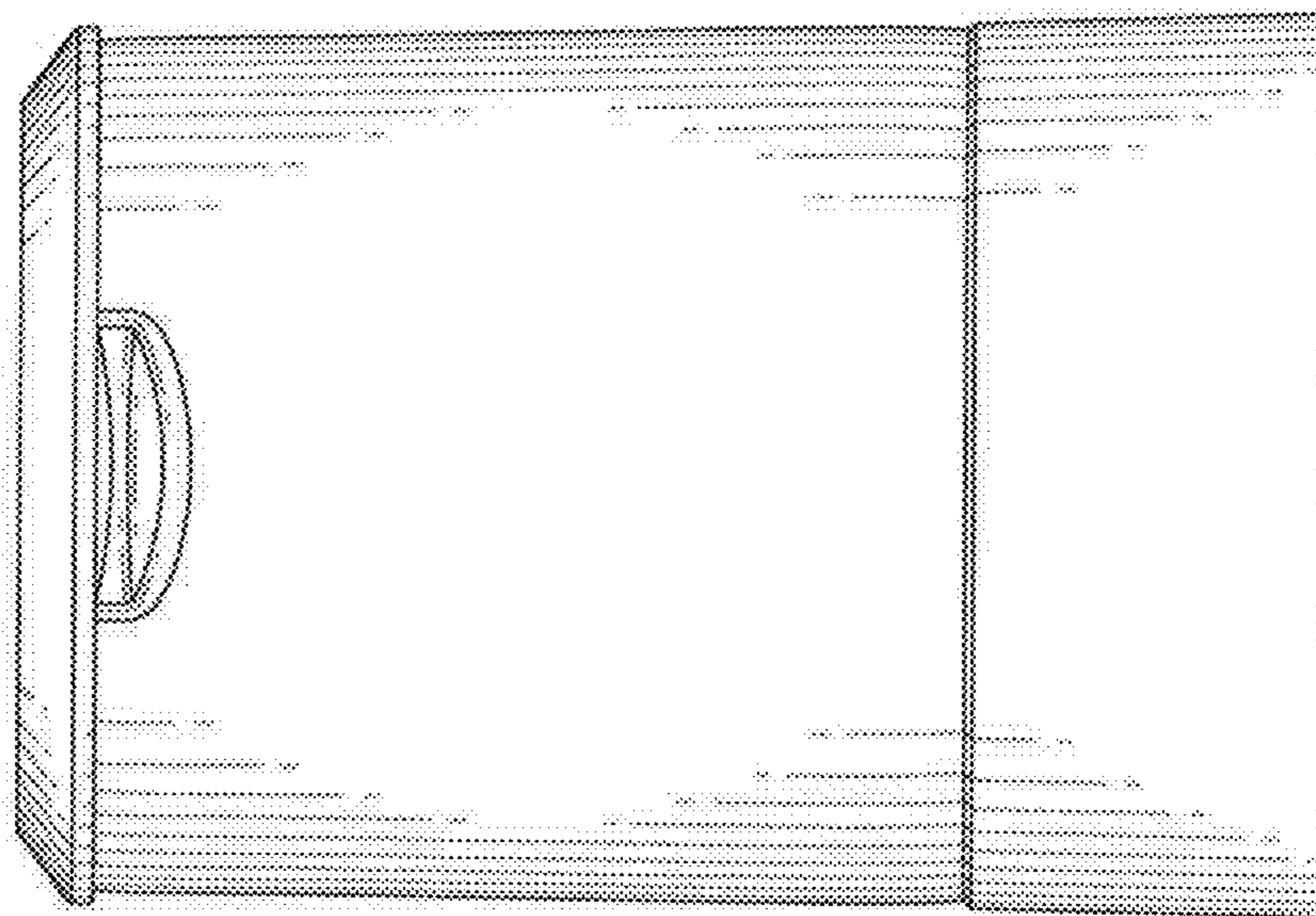


FIG. 2



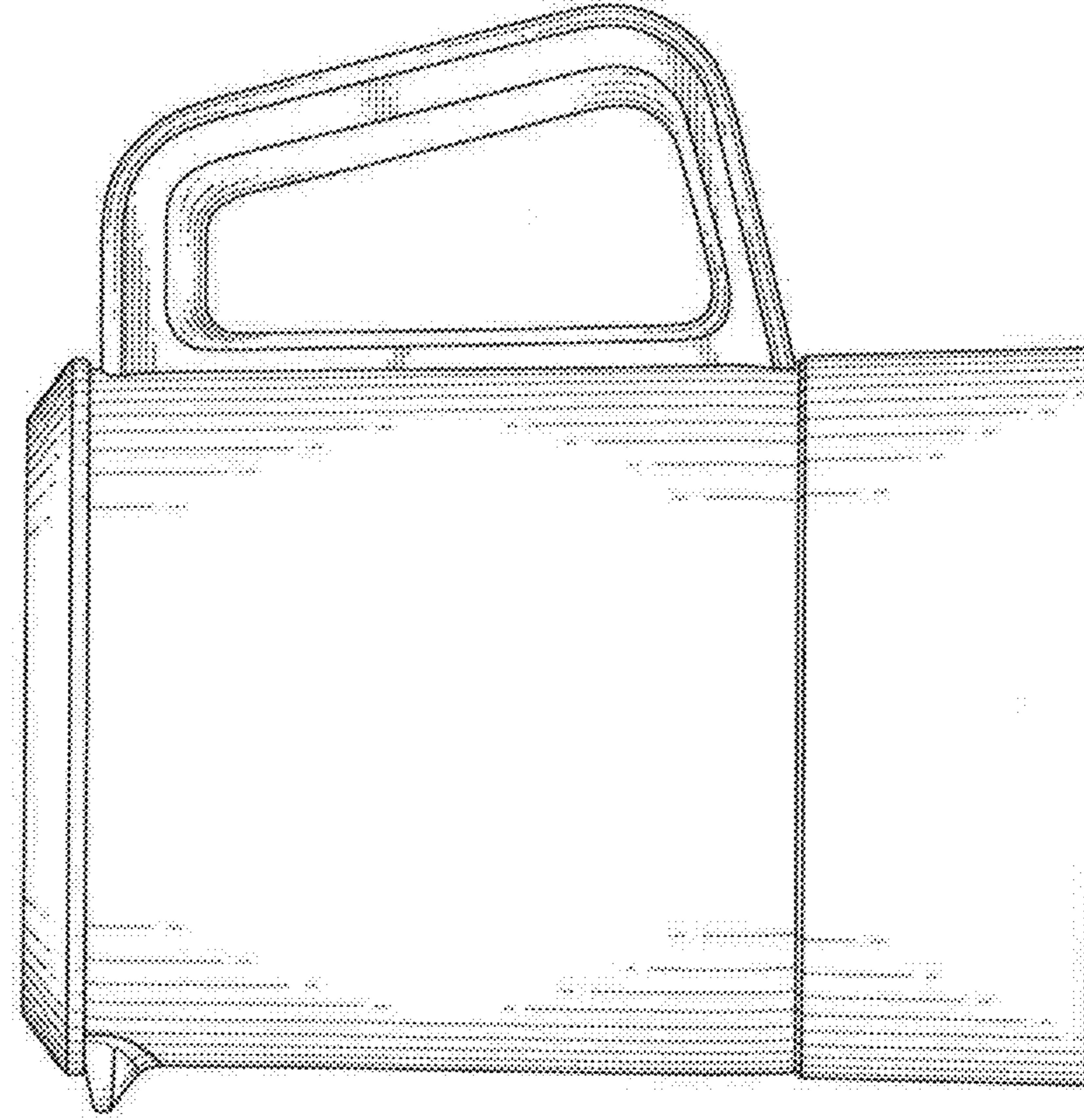


FIG. 5

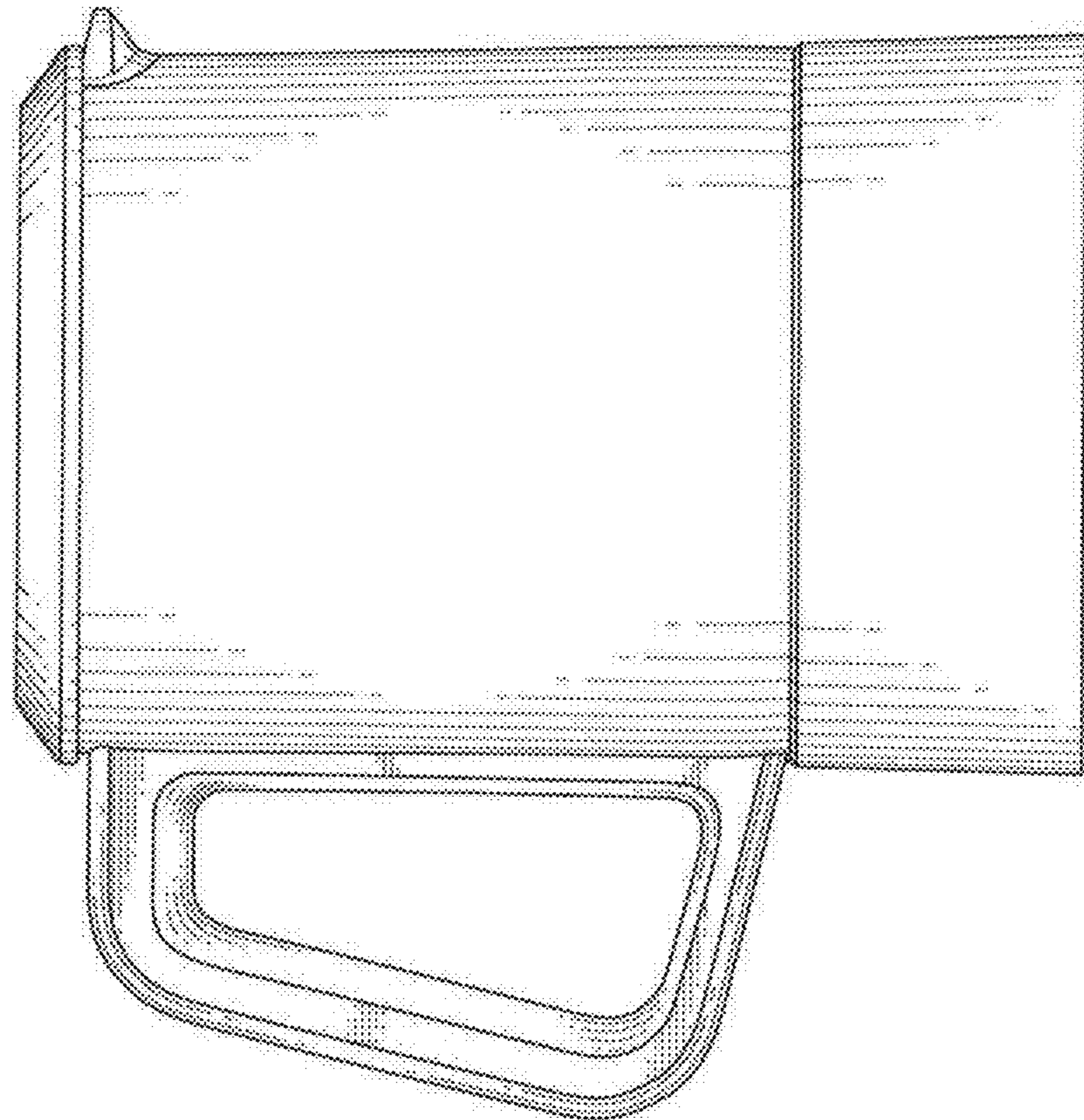


FIG. 4

FIG. 6

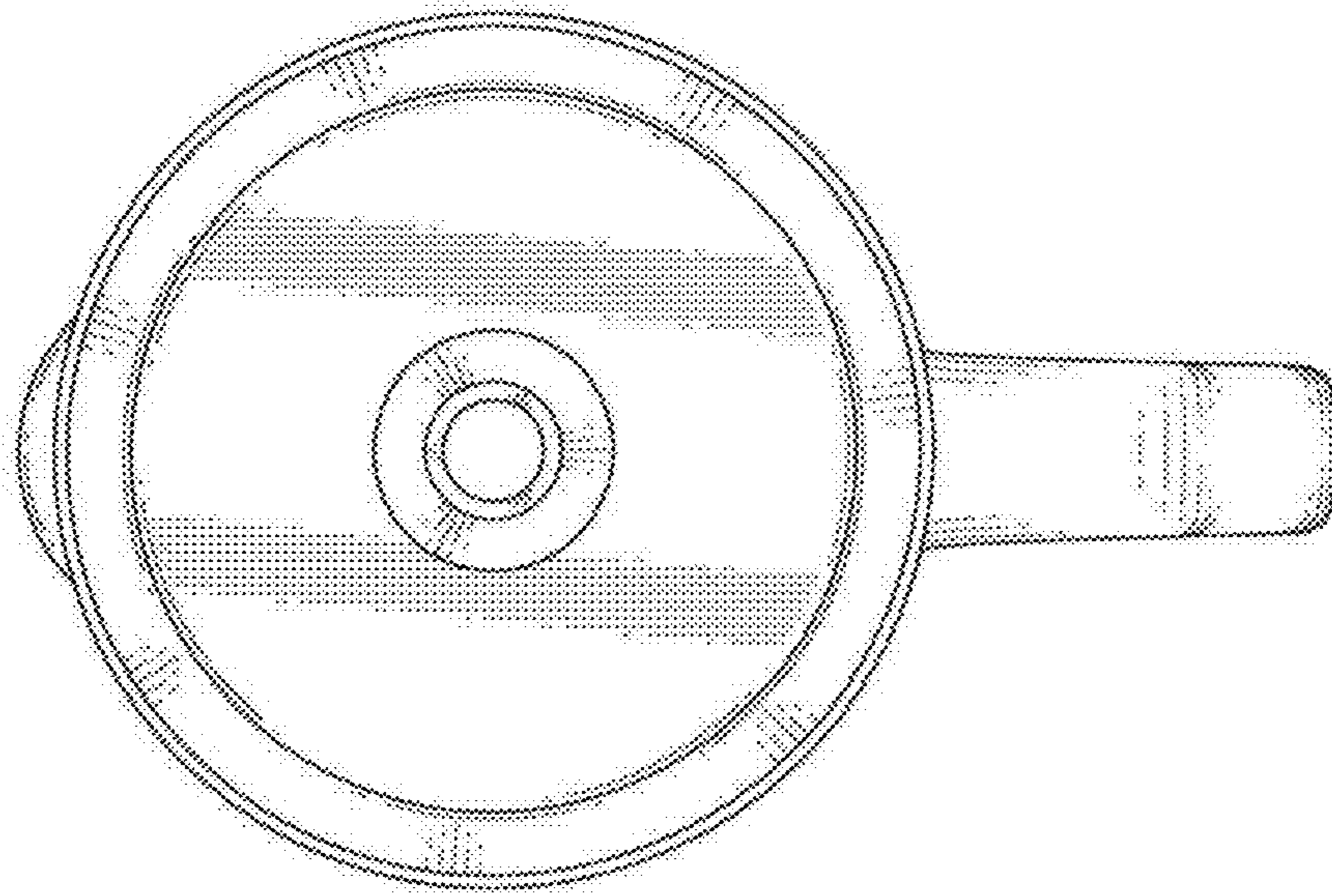


FIG. 7

