

US00D879535S

(12) **United States Design Patent**  
**Ricica**

(10) **Patent No.:** **US D879,535 S**  
(45) **Date of Patent:** **\*\* Mar. 31, 2020**

(54) **COFFEE MAKER AND COMPONENTS THEREOF**

4,590,975 A \* 5/1986 Credle, Jr. .... B67D 1/08  
141/1  
D296,408 S \* 6/1988 Gaunt ..... D7/308  
D321,806 S \* 11/1991 Chaney ..... D7/308  
D324,319 S \* 3/1992 Faerber ..... D7/308  
(Continued)

(71) Applicant: **SharkNinja Operating LLC**,  
Needham, MA (US)

(72) Inventor: **Aaron Ricica**, Brookline, MA (US)

(73) Assignee: **SHARKNINJA OPERATING LLC**,  
Needham, MA (US)

(\*\*) Term: **15 Years**

(21) Appl. No.: **29/653,369**

(22) Filed: **Jun. 14, 2018**

**Related U.S. Application Data**

(62) Division of application No. 29/564,776, filed on May 16, 2016, now Pat. No. Des. 823,035.

(51) **LOC (12) Cl.** ..... **07-01**

(52) **U.S. Cl.**  
USPC ..... **D7/309; D7/311**

(58) **Field of Classification Search**  
USPC ..... D7/305-311, 313; D15/82; 222/129.1,  
222/146.6; 99/295  
CPC ..... A47J 31/44; A47J 31/4403; A47J 31/46;  
A47J 31/4482; A47J 31/369; A47J  
31/407; A47J 31/10; A47J 31/467; A47J  
31/0615; B67D 1/36; B67D 2210/0065;  
B67D 1/0864; B67D 3/0061  
See application file for complete search history.

(56) **References Cited**

**U.S. PATENT DOCUMENTS**

D213,577 S 3/1969 Douglas  
D225,365 S 12/1972 Beckman  
D245,058 S 7/1977 Hauenstein  
4,058,338 A 11/1977 Brown  
4,503,757 A \* 3/1985 Daugherty ..... A47J 31/4403  
392/447

**OTHER PUBLICATIONS**

Application for Registration of an Industrial Design Examiner's Report; Canadian Application No. 171623; Date of Mailing: Nov. 14, 2017; 2 Pages.

(Continued)

*Primary Examiner* — Marianne N Pandozzi  
(74) *Attorney, Agent, or Firm* — Cantor Colburn LLP

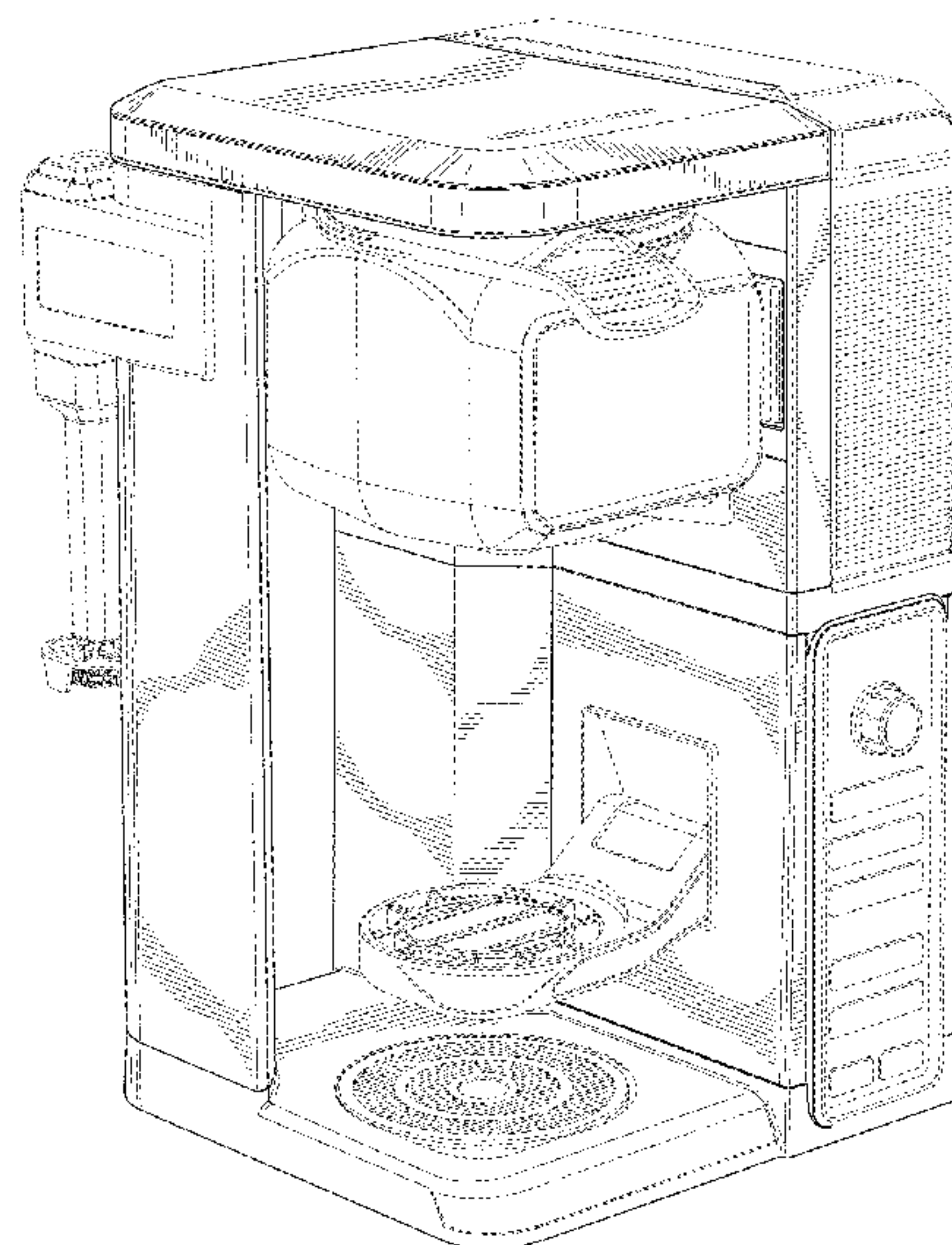
(57) **CLAIM**

The ornamental design for coffee maker and components thereof, as shown and described.

**DESCRIPTION**

FIG. 1 is a perspective view of a coffee maker and components thereof, showing our new design;  
FIG. 2 is a front view of the embodiment shown in FIG. 1;  
FIG. 3 is a rear view of the embodiment shown in FIG. 1;  
FIG. 4 is side view of the embodiment shown in FIG. 1;  
FIG. 5 is another side view of the embodiment shown in FIG. 1;  
FIG. 6 is a top view of the embodiment shown in FIG. 1;  
FIG. 7 is a bottom view of the embodiment shown in FIG. 1;  
FIG. 8 is another perspective view of the embodiment shown in FIG. 1; and,  
FIG. 9 is yet another perspective view of the embodiment shown in FIG. 1.  
The broken lines in the figures are for environmental purposes only and form no part of the claimed design.

**1 Claim, 9 Drawing Sheets**



(56)

References Cited

U.S. PATENT DOCUMENTS

D490,639 S	6/2004	Kling	
D558,507 S	1/2008	Picozza et al.	
D562,052 S *	2/2008	De Pra' .....	D7/309
D581,717 S *	12/2008	Parker .....	D7/309
D584,912 S	1/2009	Green et al.	
D585,691 S *	2/2009	Bonin .....	D7/309
D598,693 S *	8/2009	Kindler .....	D7/306
D598,695 S *	8/2009	Currie .....	D7/309
D648,973 S *	11/2011	De' Longhi .....	D7/309
D696,890 S *	1/2014	Poniedzialek .....	D7/309
D713,668 S *	9/2014	Metaxatos .....	D7/309
D727,084 S *	4/2015	Dorr .....	D7/309
D730,675 S	6/2015	Williams et al.	
D733,481 S *	7/2015	Rousselin .....	D7/306
D742,159 S *	11/2015	Doria .....	D7/309
D752,377 S	3/2016	Maitland et al.	
D753,948 S	4/2016	Kestenbaum	
D765,454 S *	9/2016	Romandy .....	D7/309
D769,662 S *	10/2016	Palermo .....	D7/306
D770,831 S *	11/2016	Affatato .....	D7/309
D770,832 S *	11/2016	Affatato .....	D7/309
D771,992 S *	11/2016	Yang .....	D7/306
D778,098 S *	2/2017	Horimoto .....	D7/306
D782,242 S *	3/2017	Lee .....	D7/306
D787,251 S	5/2017	Kestenbaum	
D789,725 S	6/2017	Kestenbaum	
D792,731 S *	7/2017	Palermo .....	D7/306
D802,978 S	11/2017	Kestenbaum	
D814,222 S	4/2018	Bronwasser	
D815,904 S	4/2018	Lane	
D834,870 S *	12/2018	Steiner .....	D7/309
2015/0190011 A1 *	7/2015	Minard .....	B67D 1/0041 426/231
2019/0045968 A1 *	2/2019	Hartmann .....	A47J 31/44

OTHER PUBLICATIONS

Application for Registration of an Industrial Design Examiner's Report; Canadian Application No. 171623; Mailing Date: Feb. 17, 2017; 1 Page.  
 Application for Registration of an Industrial Design Examiner's Report; Canadian Application No. 171623; Mailing Date: Jul. 25, 2017; 1 Page.  
 Decision to Dismiss the Amendment; Korean Application No. 30-2016-0053885; Date of Mailing: Jul. 6, 2017; 5 Pages.  
 Non-Final Office Action; U.S. Appl. No. 29/564,778, filed May 16, 2016; Carafe; Notification Date: Mar. 10, 2017; 9 Pages.  
 Non-Final Office Action; U.S. Appl. No. 29/622,046, filed Oct. 13, 2017; Carafe; Notification Date: Jun. 5, 2018; 20 Pages.  
 Notice of Allowance; Japanese Design Application No. 2016-024849; dated Mar. 31, 2017; 2 Pages.  
 Notice of Allowance; Japanese Design Application No. 2016-024850; dated Mar. 31, 2017; 2 Pages.

Notice of Allowance; Japanese Design Application No. 2016-024851; dated Mar. 31, 2017; 2 Pages.  
 Notice of Allowance; Japanese Design Application No. 2016-024852; dated Mar. 31, 2017; 2 Pages.  
 Notice of Allowance; Japanese Design Application No. 2016-024853; dated Mar. 31, 2017; 2 Pages.  
 Notice of Allowance; Japanese Design Application No. 2016-024854; dated Mar. 31, 2017; 2 Pages.  
 Notice of Allowance; Japanese Design Application No. 2016-024855; dated Mar. 31, 2017; 2 Pages.  
 Notice of Allowance; U.S. Appl. No. 29/564,776, dated May 16, 2016; Coffee Maker; Notification Date: Mar. 21, 2018; 11 Pages.  
 Notice of Allowance; U.S. Appl. No. 29/564,778, filed May 16, 2016; Carafe; Notification Date: Jul. 13, 2017; 10 Pages.  
 Notice of Completion of Formalities for Patent Register and Notice of Grant of Design Patent Right; Chinese Application No. 2016305567649; Mailing Date: Jan. 19, 2017; 5 Pages.  
 Notice of Completion of Formalities for Patent Register and Notice of Grant of Design Patent Right; Chinese Application No. 2016305570459; Mailing Date: Jan. 19, 2017; 5 Pages.  
 Notice of Completion of Formalities for Patent Register and Notice of Grant of Design Patent Right; Chinese Application No. 201630557068X; Mailing Date: Jan. 19, 2017; 5 Pages.  
 Notice of Completion of Formalities for Patent Register and Notice of Grant of Design Patent Right; Chinese Application No. 2016305573207; Mailing Date: Jan. 17, 2017; 5 Pages.  
 Notice of References; Japanese Design Application No. 2016-024849; Mailing Date: Mar. 31, 2017; 2 Pages.  
 Notice of References; Japanese Design Application No. 2016-024850; Mailing Date: Mar. 31, 2017; 2 Pages.  
 Preliminary Rejection; Korean Application No. 30-2016-0053875; Date of Mailing: Jul. 4, 2017; 3 Pages.  
 Preliminary Rejection; Korean Application No. 30-2016-0053876; Date of Mailing: Oct. 14, 2017; 7 Pages.  
 Preliminary Rejection; Korean Application No. 30-2016-0053877; Date of Mailing: Jul. 4, 2017; 4 Pages.  
 Preliminary Rejection; Korean Application No. 30-2016-0053878; Date of Mailing: Jul. 4, 2017; 2 Pages.  
 Preliminary Rejection; Korean Application No. 30-2016-0053879; Date of Mailing: Jul. 4, 2017; 5 Pages.  
 Preliminary Rejection; Korean Application No. 30-2016-0053882; Date of Mailing: Jul. 4, 2017; 5 Pages.  
 Preliminary Rejection; Korean Application No. 30-2016-0053885; Date of Mailing: Jul. 4, 2017; 5 Pages.  
 Requirement for Restriction/Election; U.S. Appl. No. 29/564,776, filed May 16, 2016; Coffee Maker and Components Thereof; Notification Date: Dec. 7, 2017; 18 Pages.  
 Requirement for Restriction/Election; U.S. Appl. No. 29/564,780, filed May 16, 2016; Coffee Maker and Components Thereof; Notification Date: Dec. 7, 2017; 18 Pages.  
 Notice of Allowance; U.S. Appl. No. 29/564,780, filed May 16, 2016; Coffee Maker; Notification Date: Mar. 21, 2018; 11 Pages.

\* cited by examiner



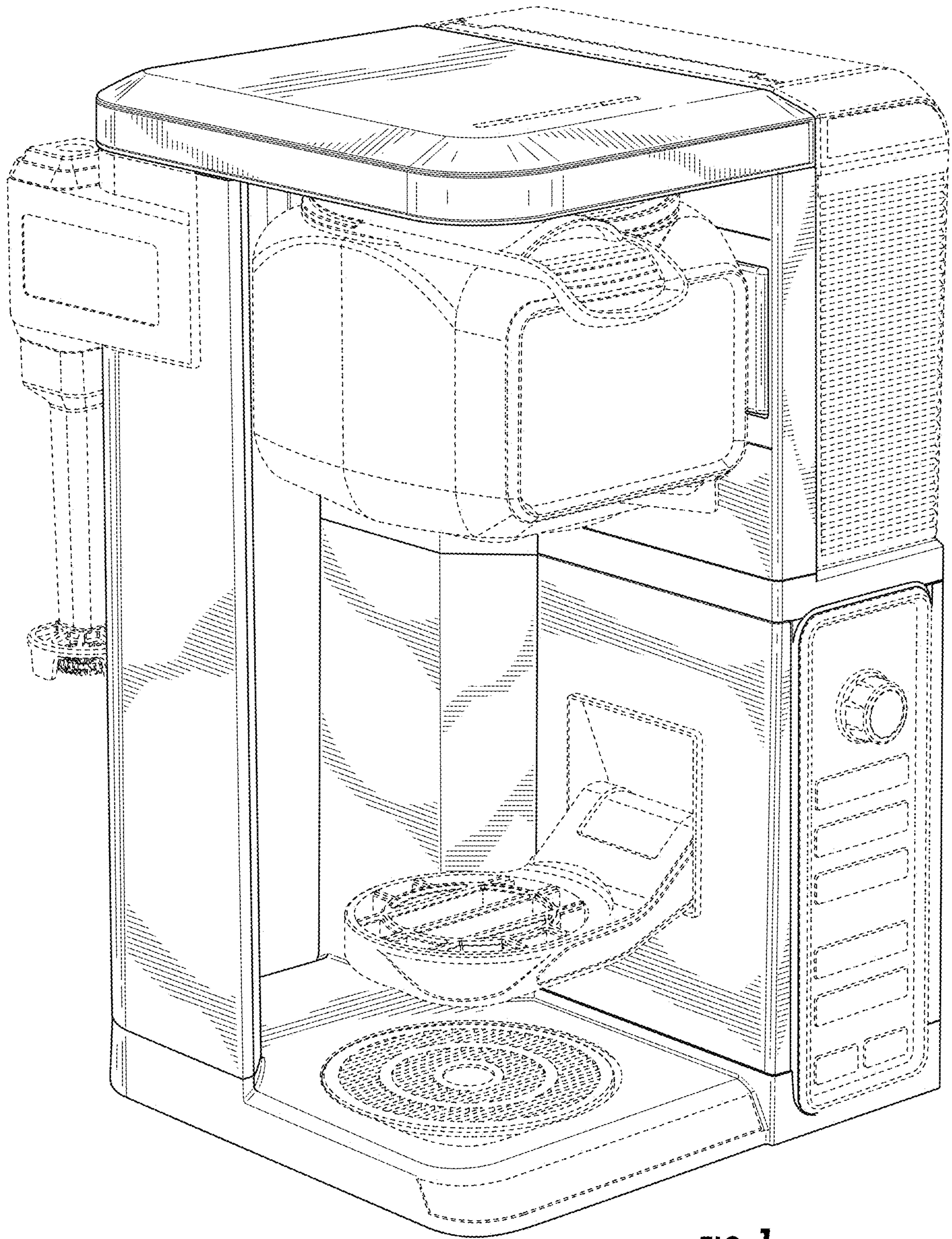


FIG. 1

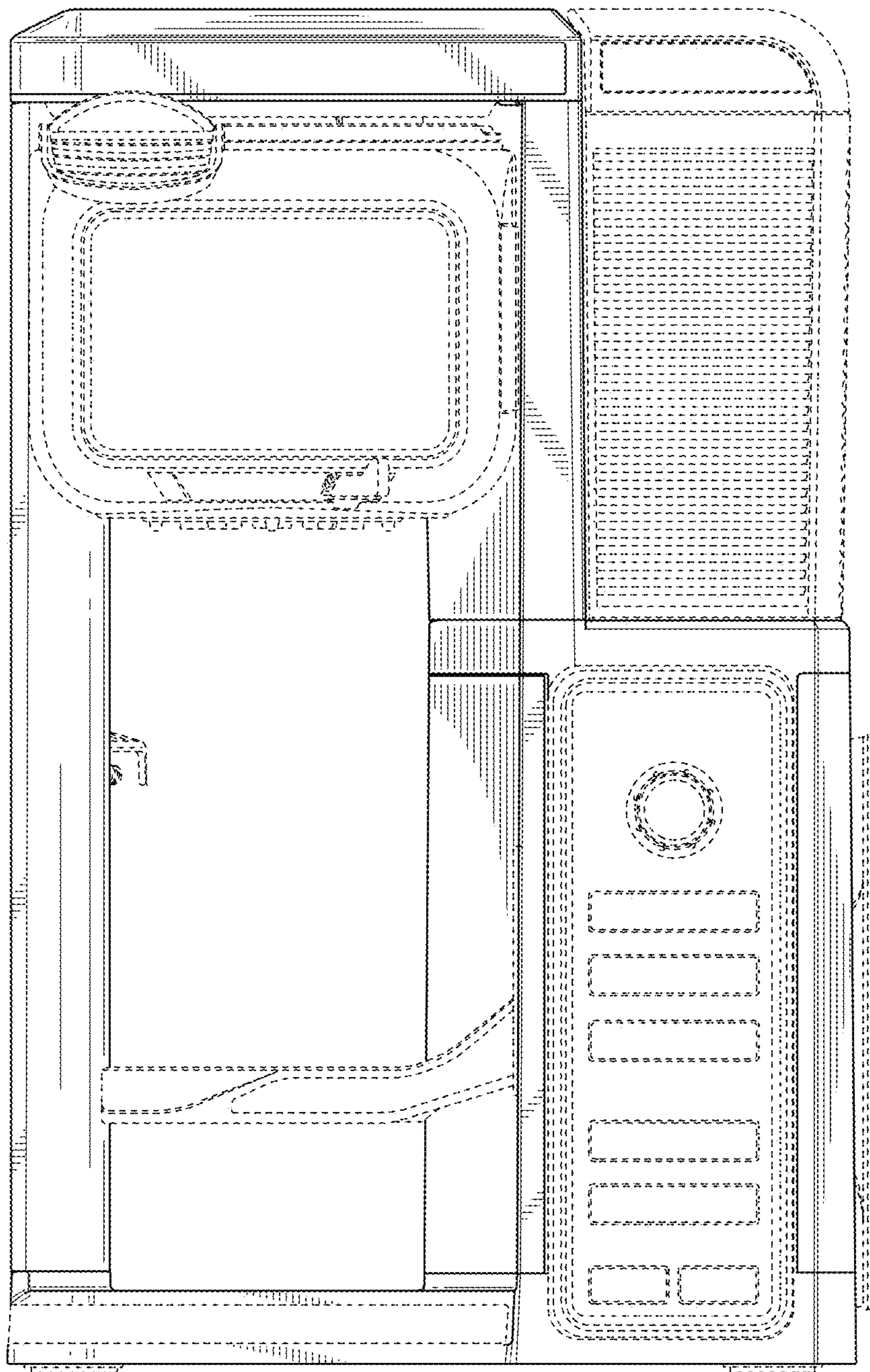


FIG. 2



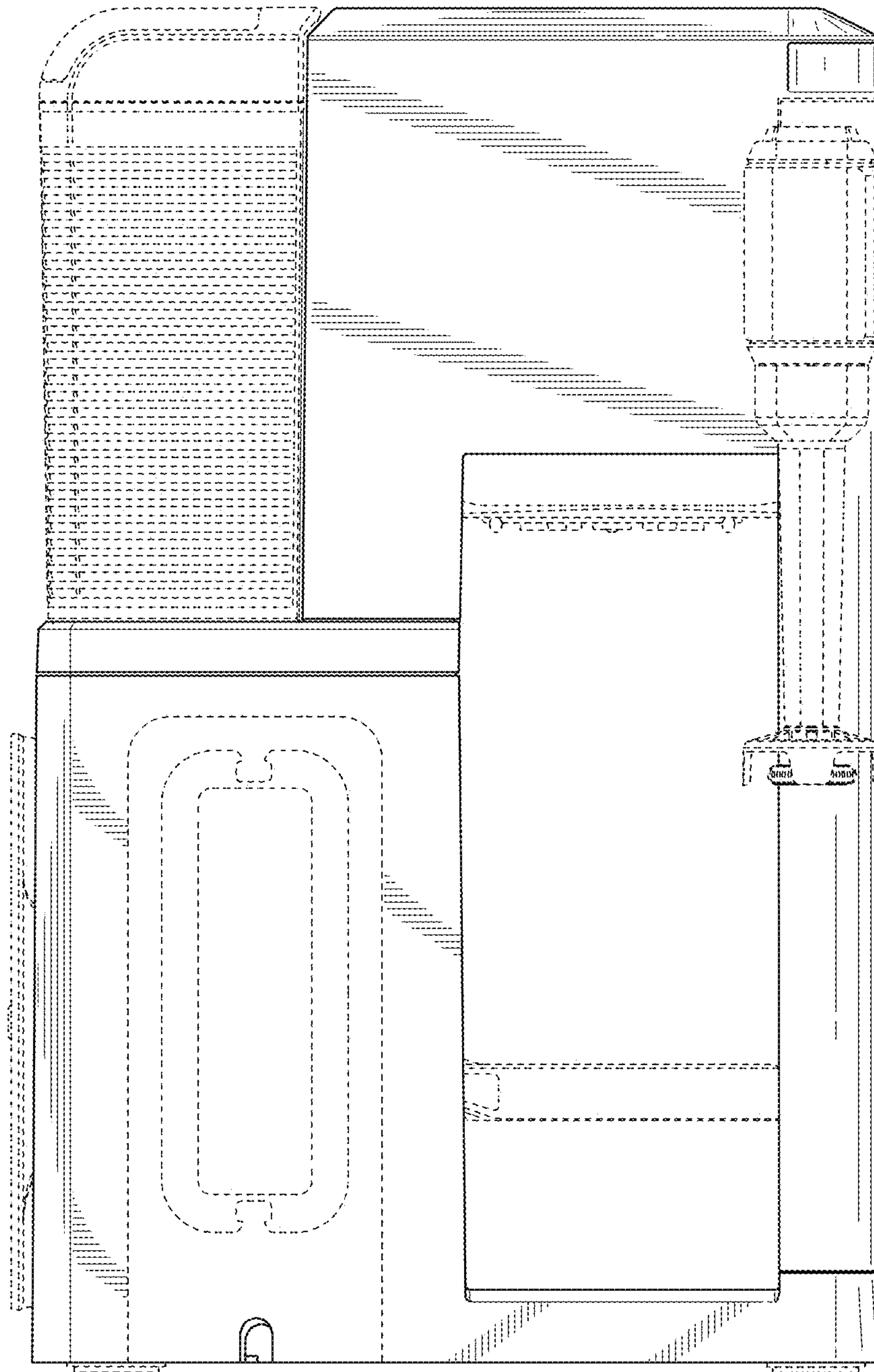


FIG. 3

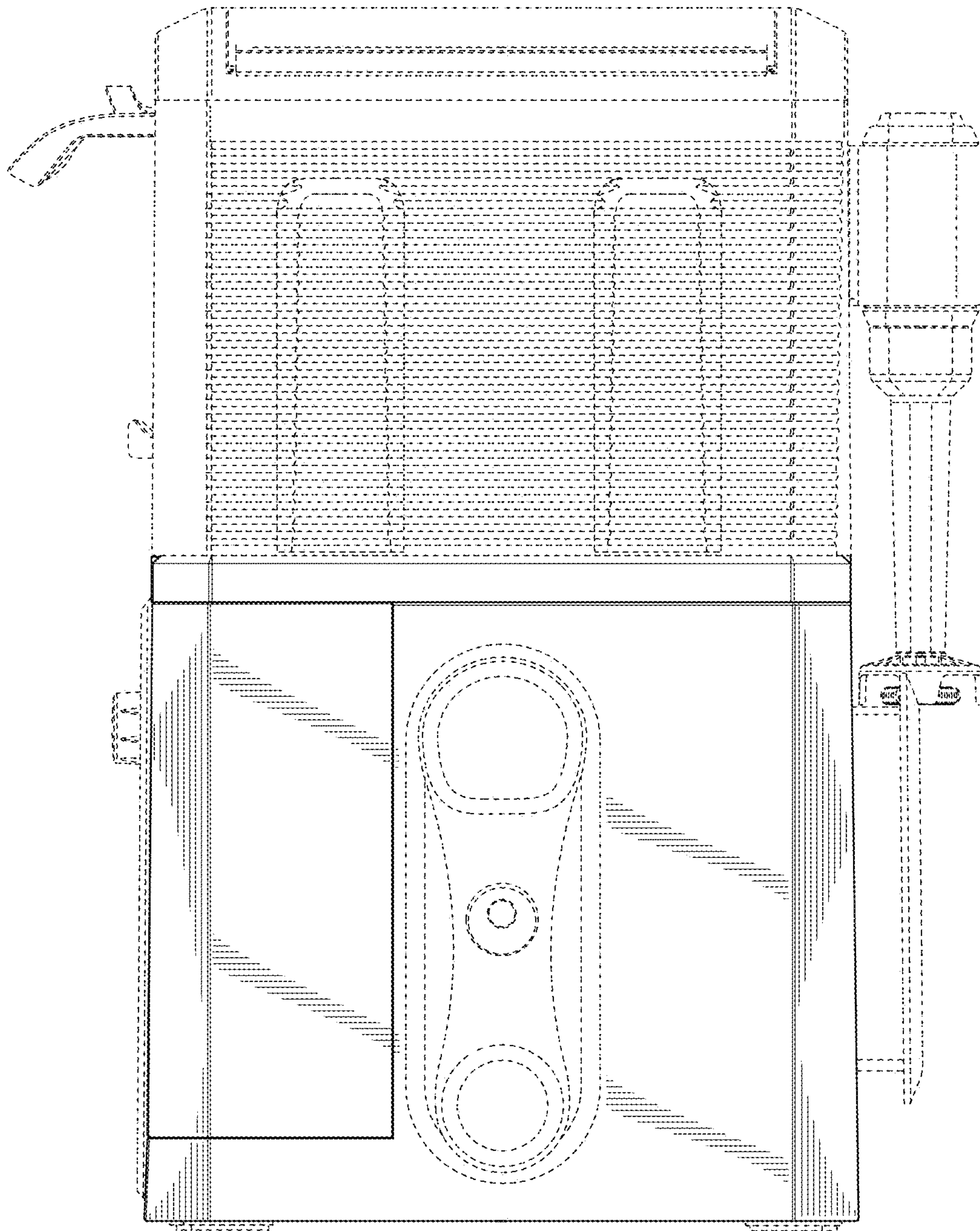


FIG. 4

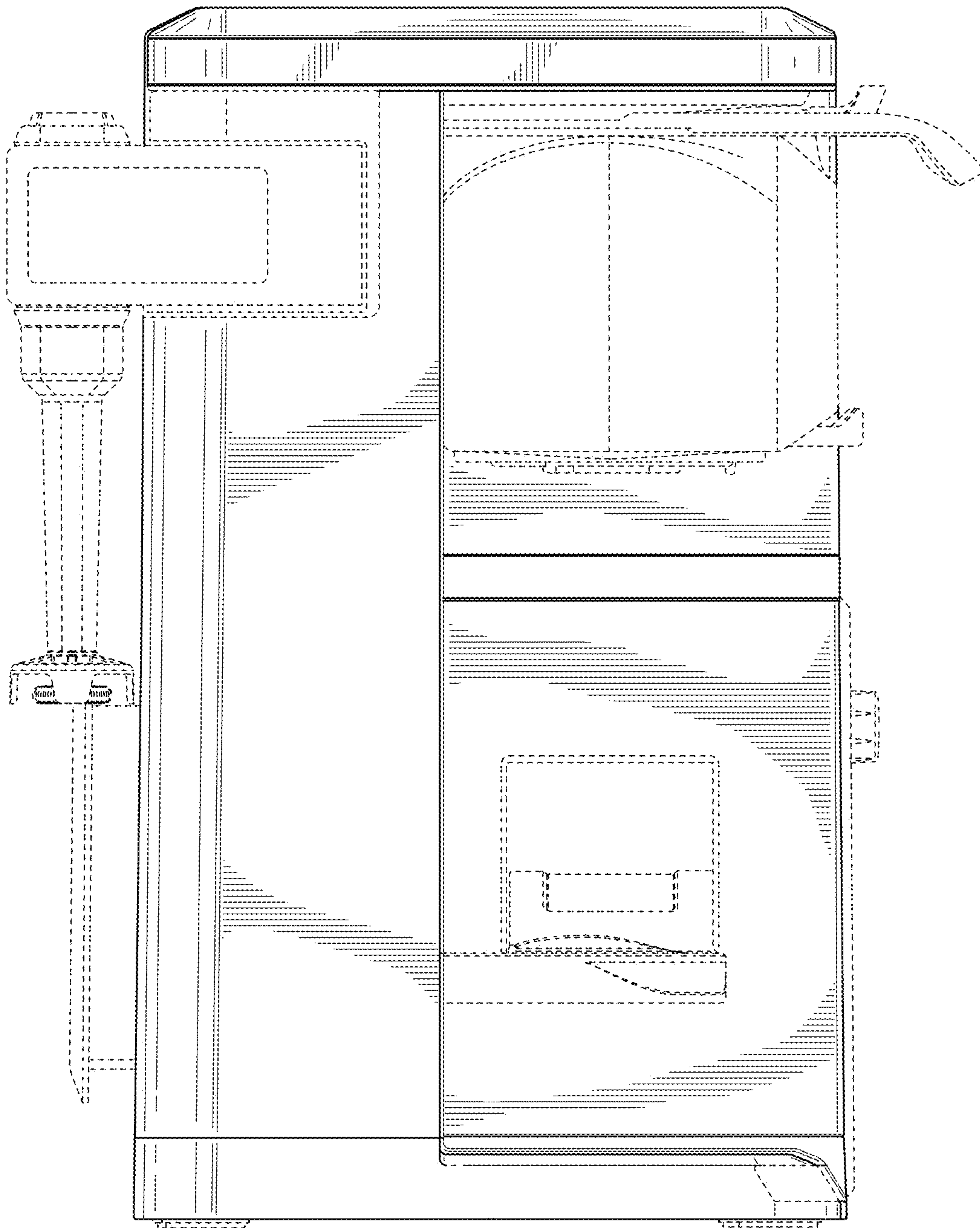


FIG. 5

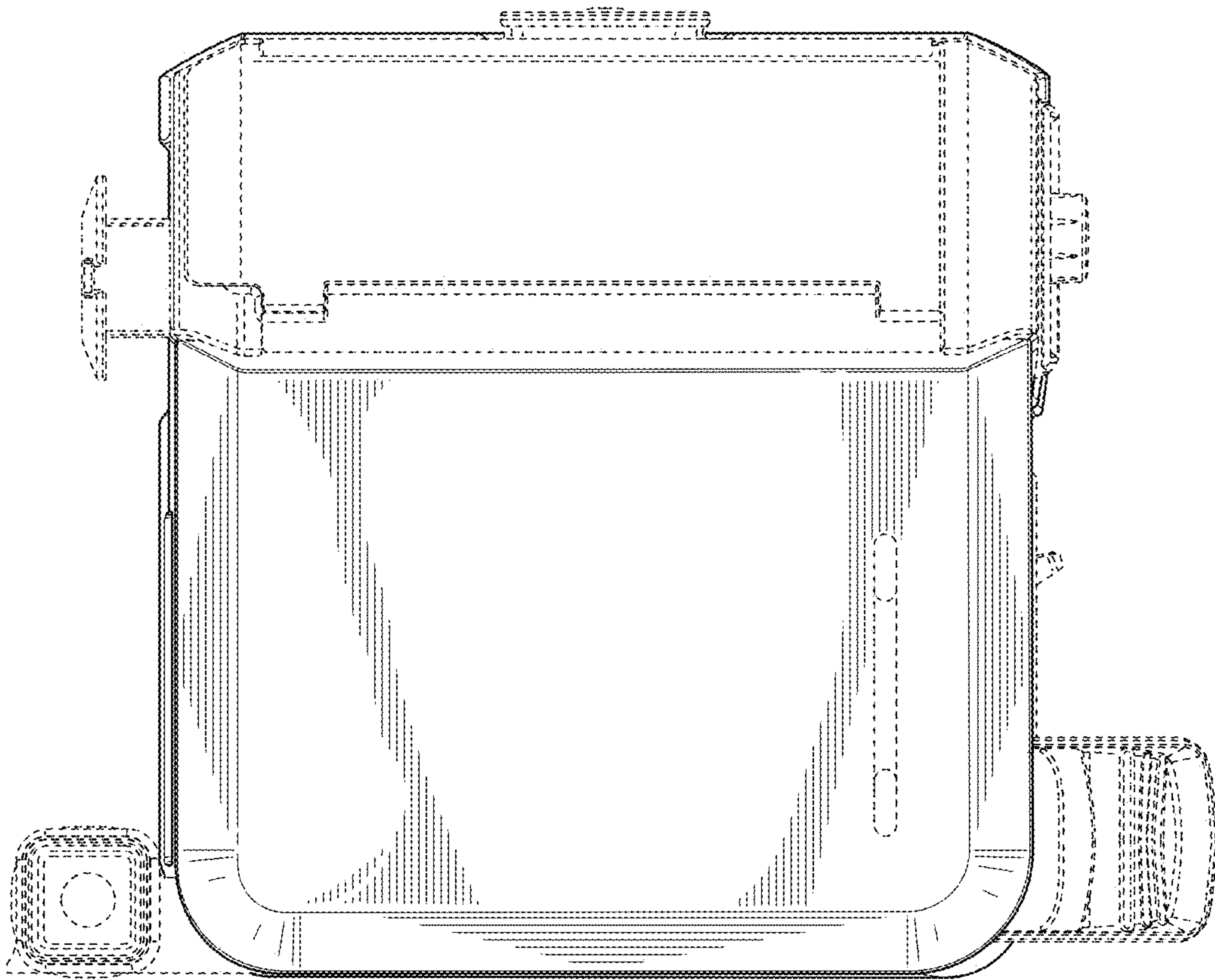


FIG. 6



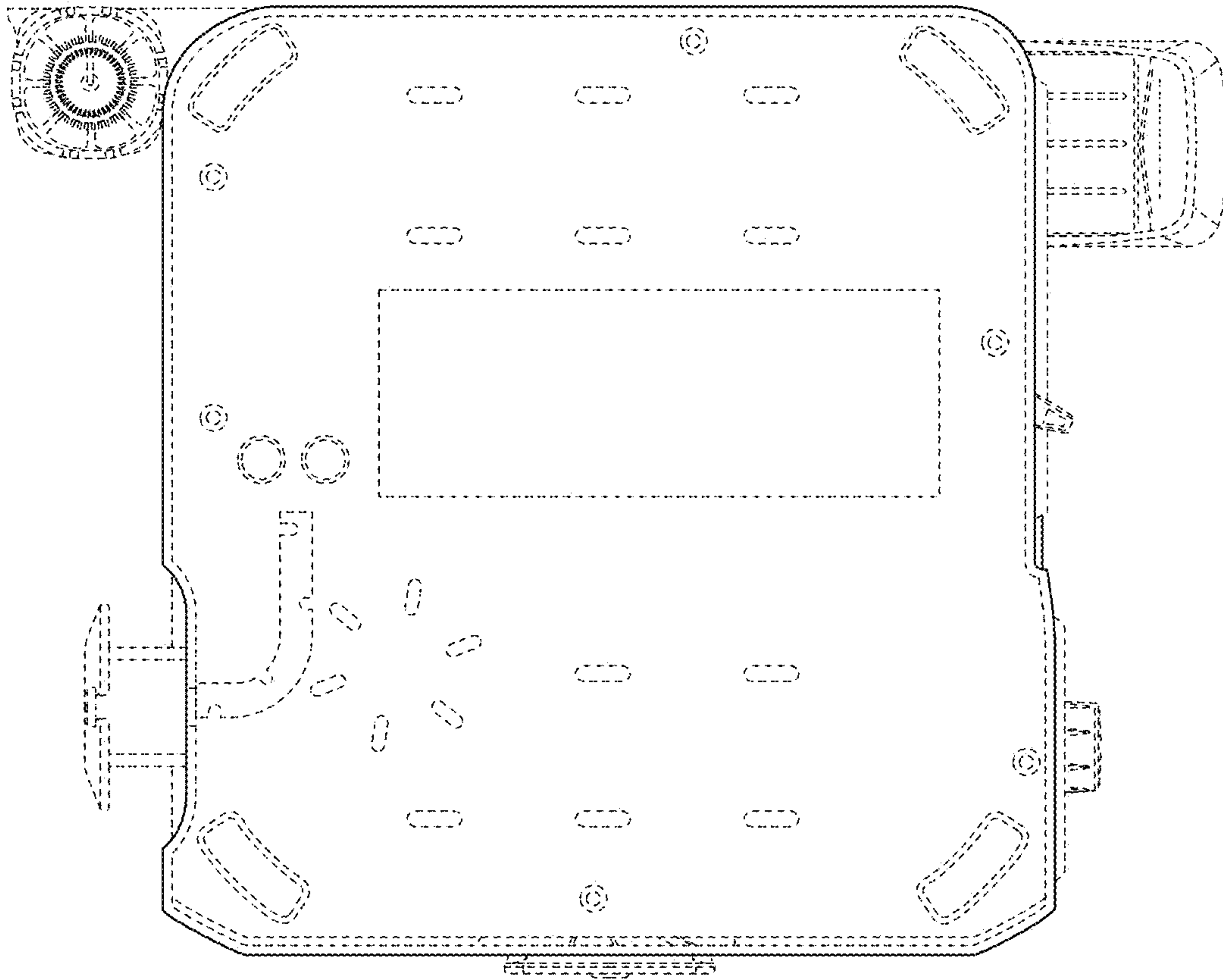


FIG. 7

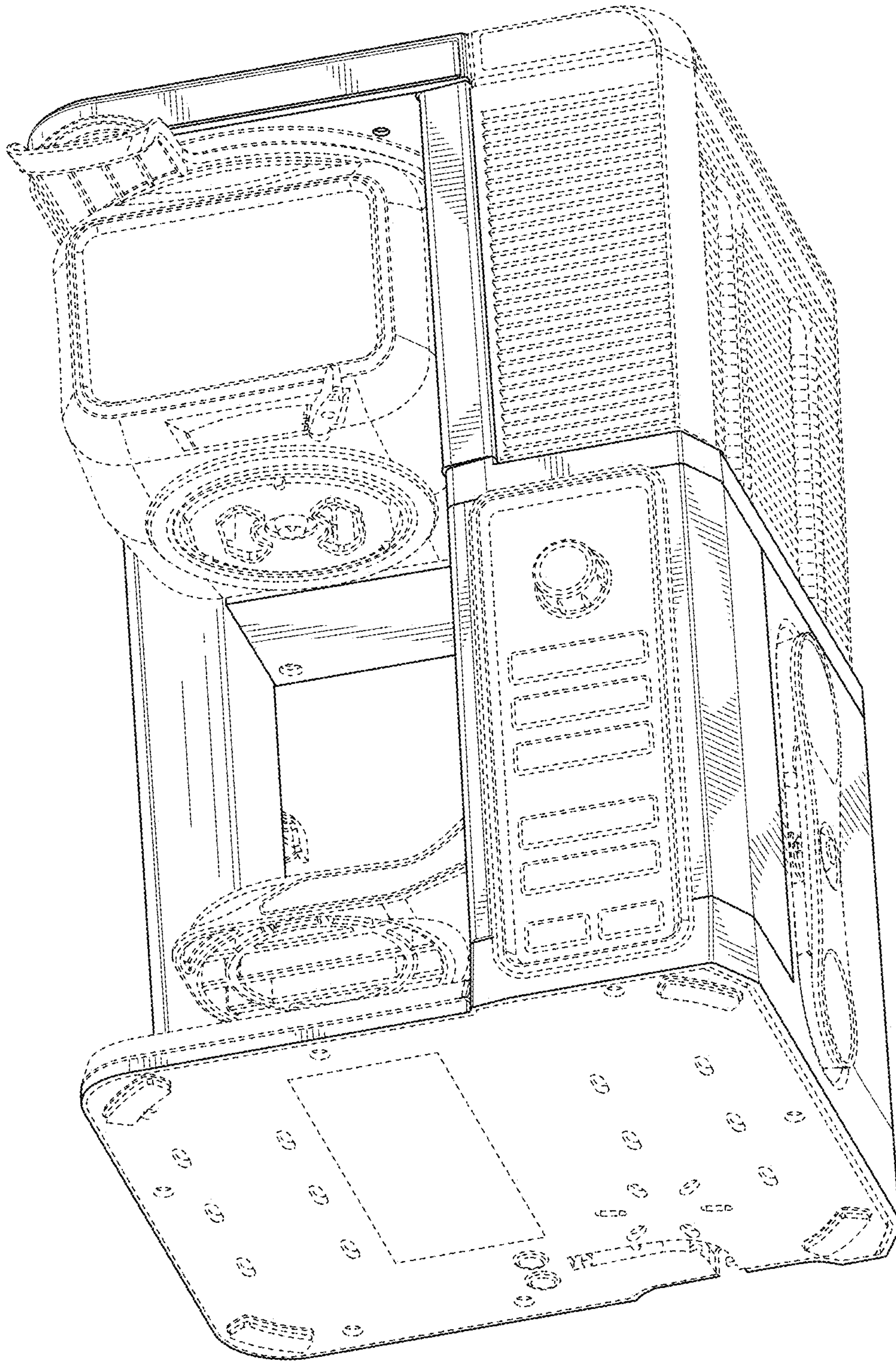


FIG. 8



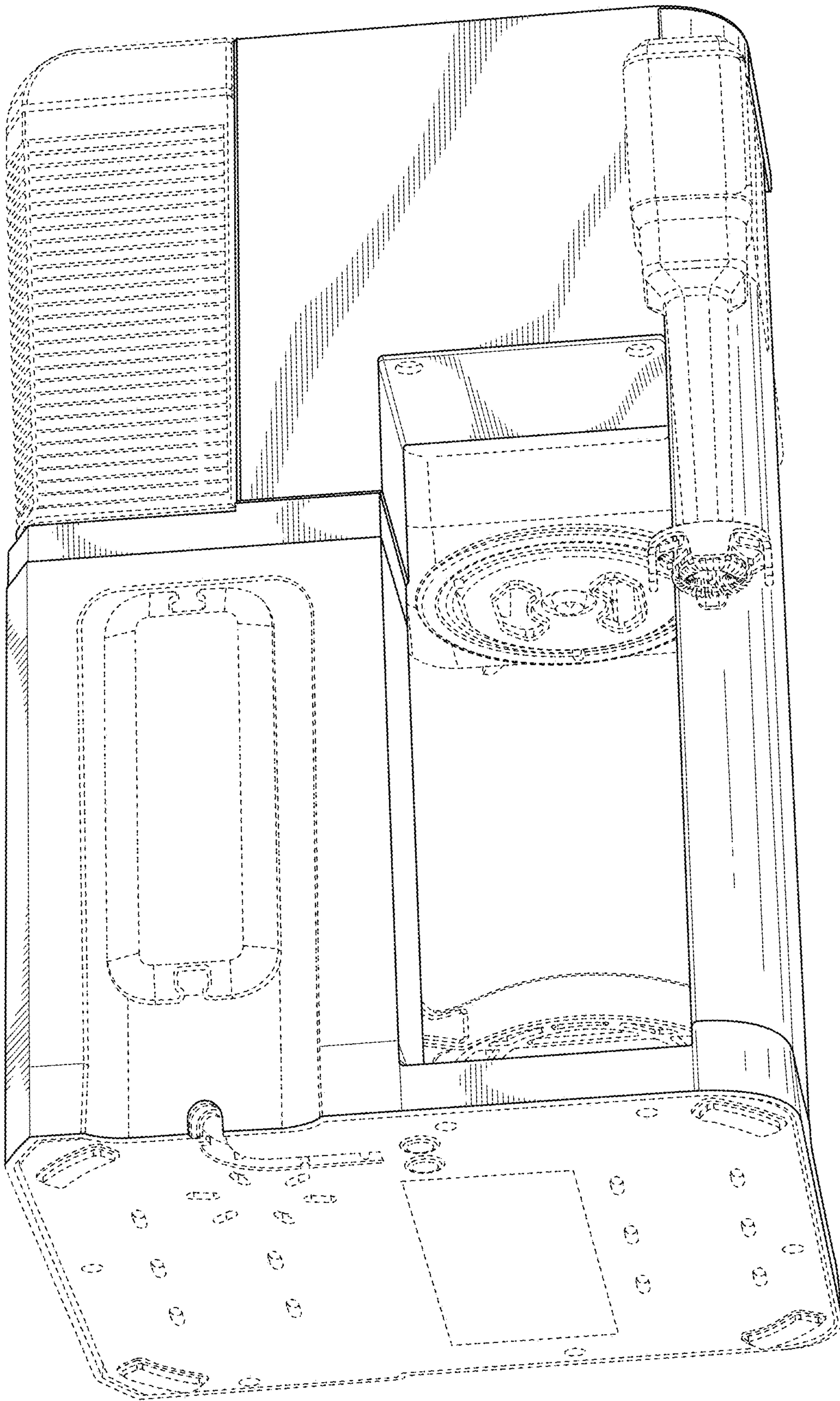


FIG. 9