



US00D879534S

(12) **United States Design Patent**
Donaghey

(10) **Patent No.:** **US D879,534 S**

(45) **Date of Patent:** **** Mar. 31, 2020**

- (54) **SODA MACHINE**
- (71) Applicant: **Variant Technology Pty Ltd**,
Mulgrave, Victoria (AU)
- (72) Inventor: **Andrew Donaghey**, Mulgrave (AU)
- (73) Assignee: **VARIANT TECHNOLOGY PTY LTD**,
Mulgrave, Victoria (AU)
- (**) Term: **15 Years**
- (21) Appl. No.: **29/646,461**
- (22) Filed: **May 4, 2018**

D468,581 S *	1/2003	Short	D7/379
D535,851 S *	1/2007	Vavasseur	D7/379
D539,602 S *	4/2007	Lin	D7/379
D572,966 S *	7/2008	Trazzi	D7/309
D584,916 S *	1/2009	Christou	D7/376
D677,520 S *	3/2013	Choi	D7/376
D696,062 S *	12/2013	Picozza	D7/376
D701,078 S *	3/2014	Gonzalez	D7/376
D721,531 S *	1/2015	Krasne	D7/309
D739,677 S *	9/2015	Du	D7/309
D760,009 S *	6/2016	Moammer	D7/309
D770,846 S *	11/2016	Bueno	D7/376
D813,586 S *	3/2018	Fuller	D7/306
D818,298 S *	5/2018	Kohler	D7/306
D823,041 S *	7/2018	Bazzicalupo	D7/309
D830,114 S *	10/2018	Fung	D7/379
D849,464 S *	5/2019	McConnell	D7/310

- (51) **LOC (12) Cl.** **07-01**
- (52) **U.S. Cl.**
USPC **D7/306**; D7/311; D7/379
- (58) **Field of Classification Search**
USPC D7/300, 309-311, 306-308, 305, 379,
D7/376; 222/146.6, 185.1, 135; 99/295,
99/273, 304, 288, 279, 307, 283
CPC A47J 31/46; A47J 31/407; A47J 31/50;
A47J 31/3628; A47J 31/4407; A47J
31/445; A47J 31/36; A47J 43/044
See application file for complete search history.

* cited by examiner

Primary Examiner — Marianne N Pandozzi
(74) *Attorney, Agent, or Firm* — Nixon & Vanderhye P.C.

(57) **CLAIM**

The ornamental design for a soda machine, as shown and described.

DESCRIPTION

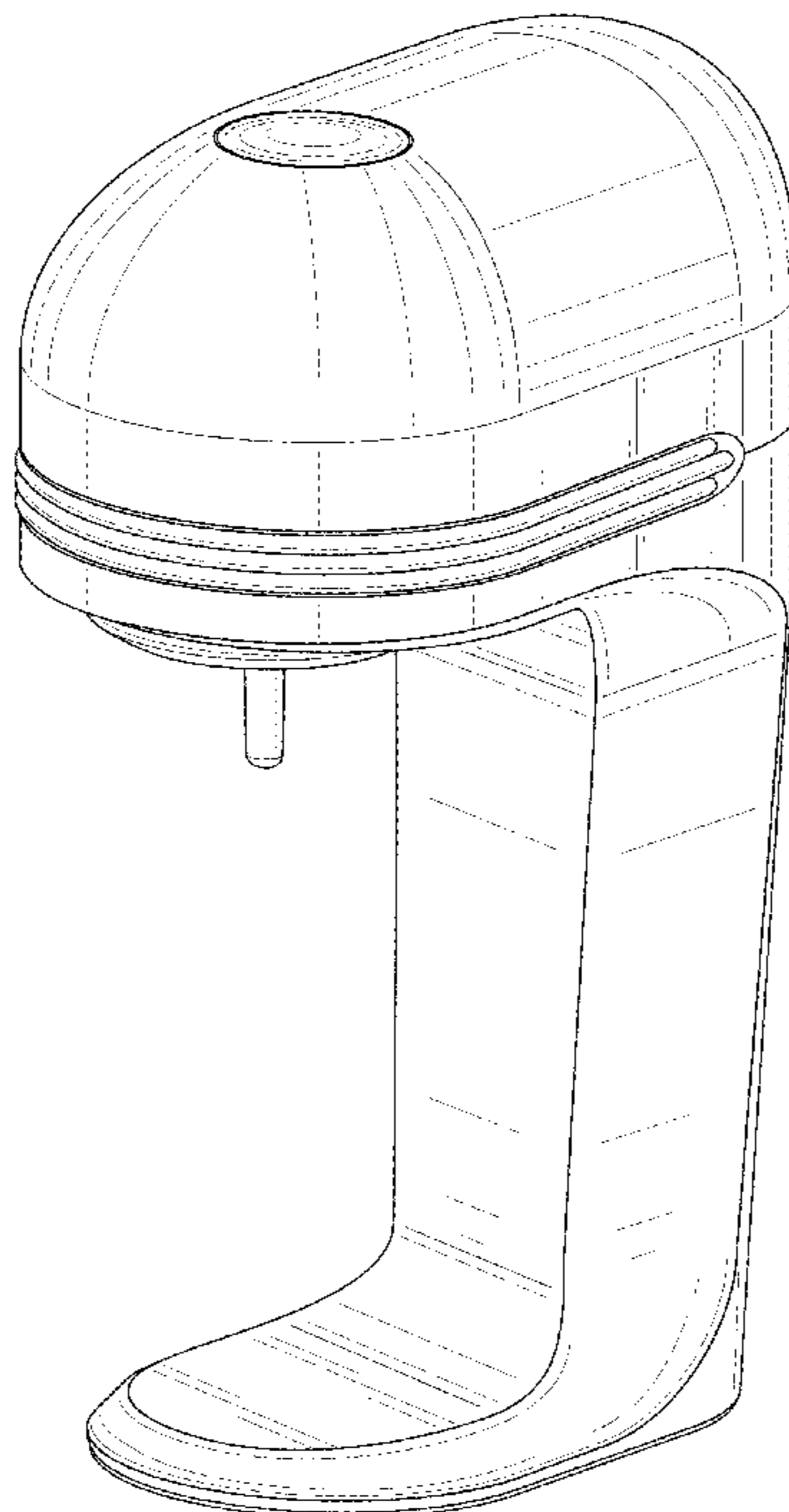
FIG. 1 is a perspective view of a soda machine according to a preferred embodiment;
FIG. 2 is a front view thereof;
FIG. 3 is a rear view thereof;
FIG. 4 is a left side view thereof;
FIG. 5 is a right side view thereof;
FIG. 6 is a plan view thereof;
FIG. 7 is a bottom view thereof; and,
FIG. 8 is a bottom perspective view thereof.

1 Claim, 8 Drawing Sheets

(56) **References Cited**

U.S. PATENT DOCUMENTS

4,822,172 A *	4/1989	Stottmann	A47J 43/082	366/142
D322,010 S *	12/1991	Doggett	D10/2	
5,730,525 A *	3/1998	Browne	A47J 43/044	366/197
D394,781 S *	6/1998	Doggett	D7/379	
D400,759 S *	11/1998	Doggett	D7/379	



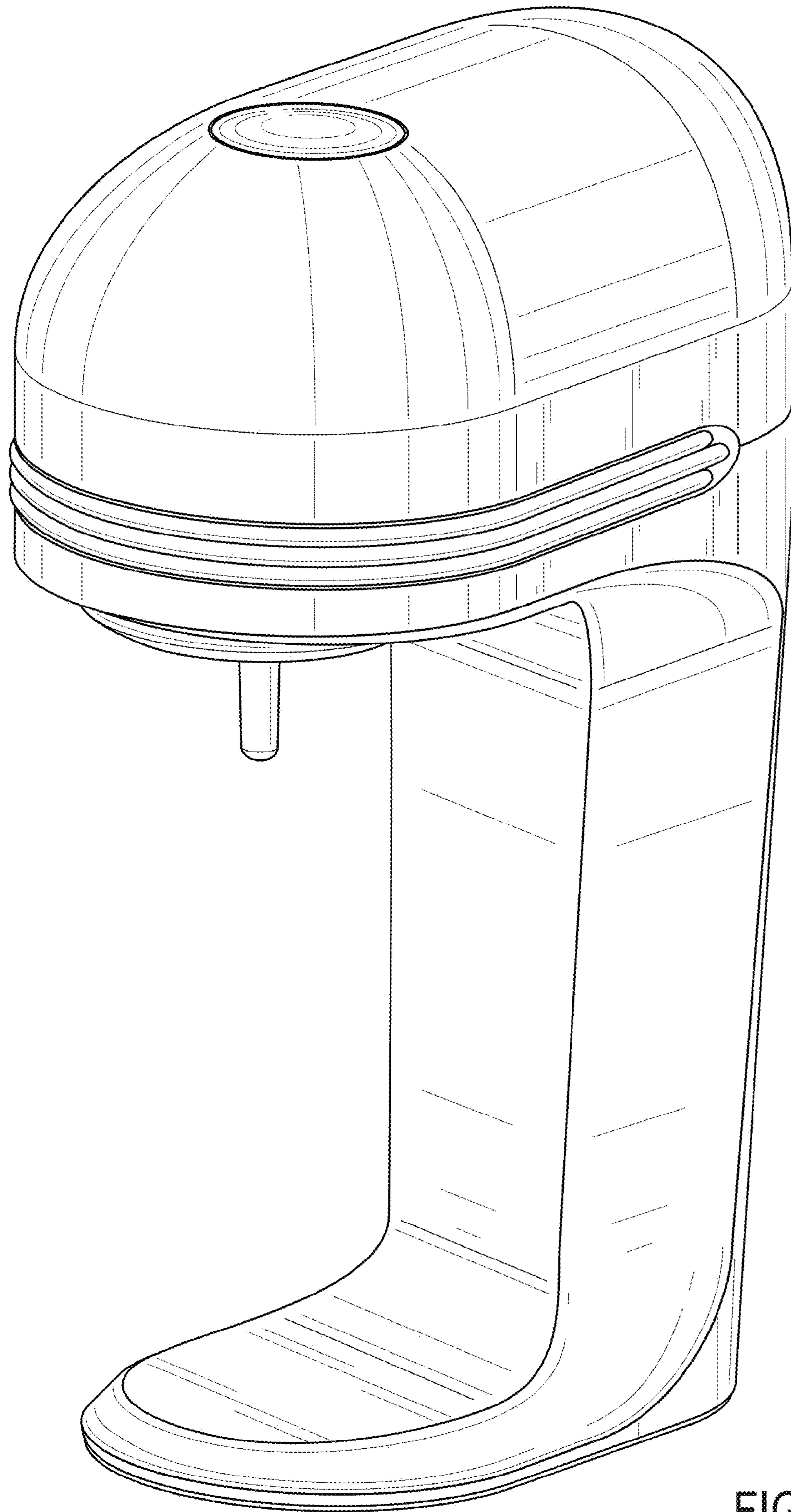


FIG. 1

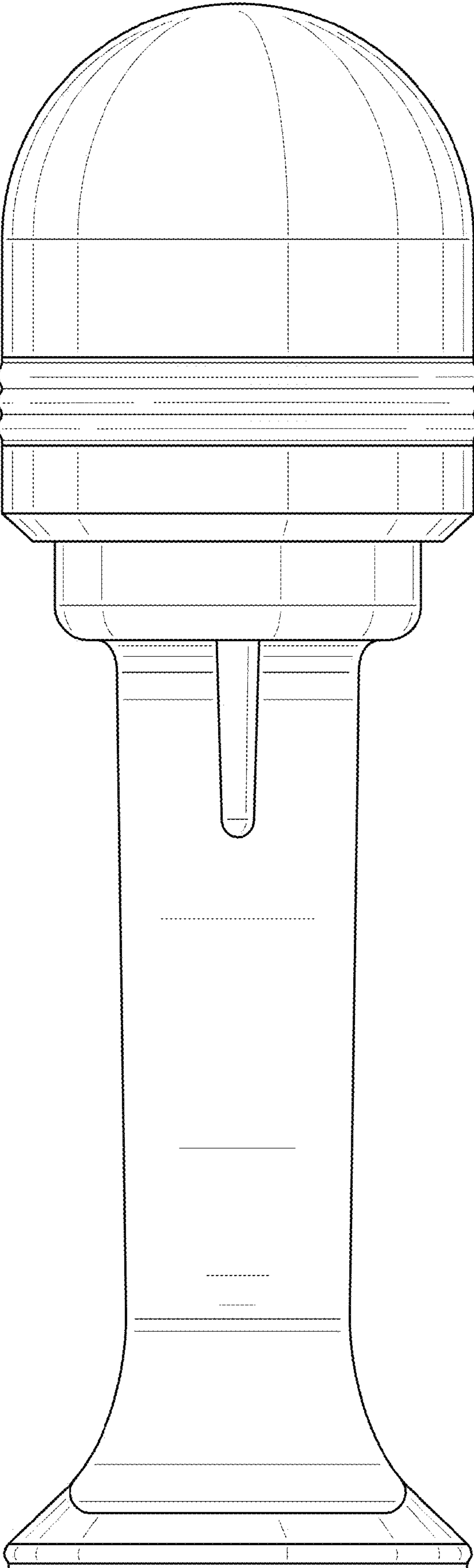


FIG. 2

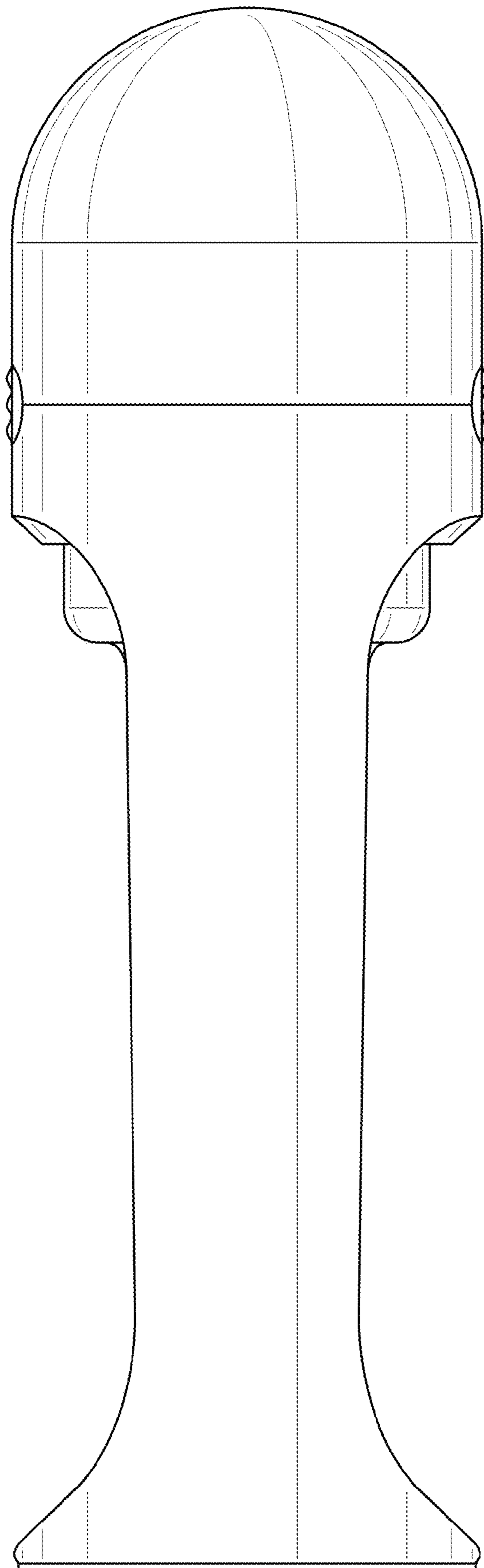


FIG. 3

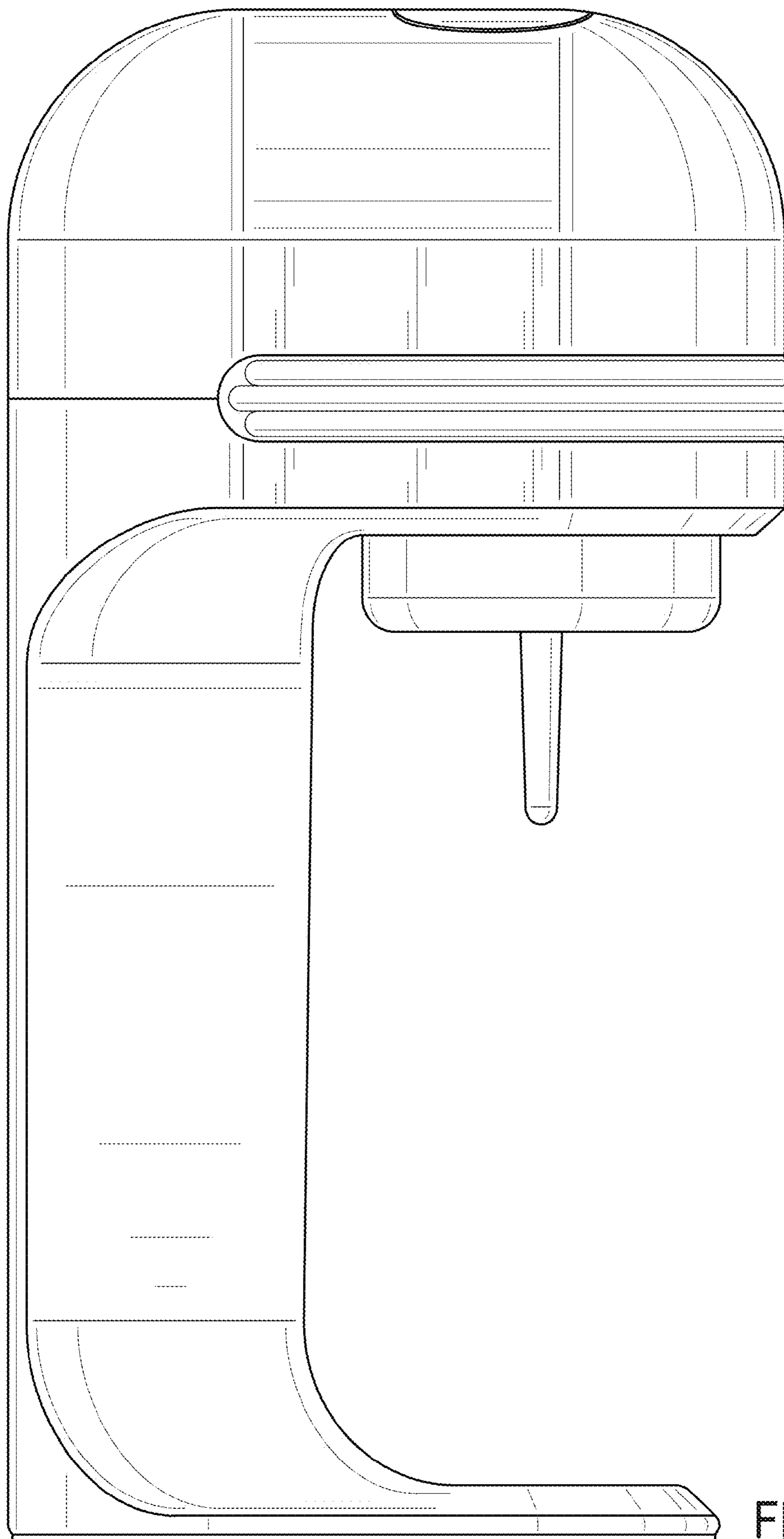


FIG. 4

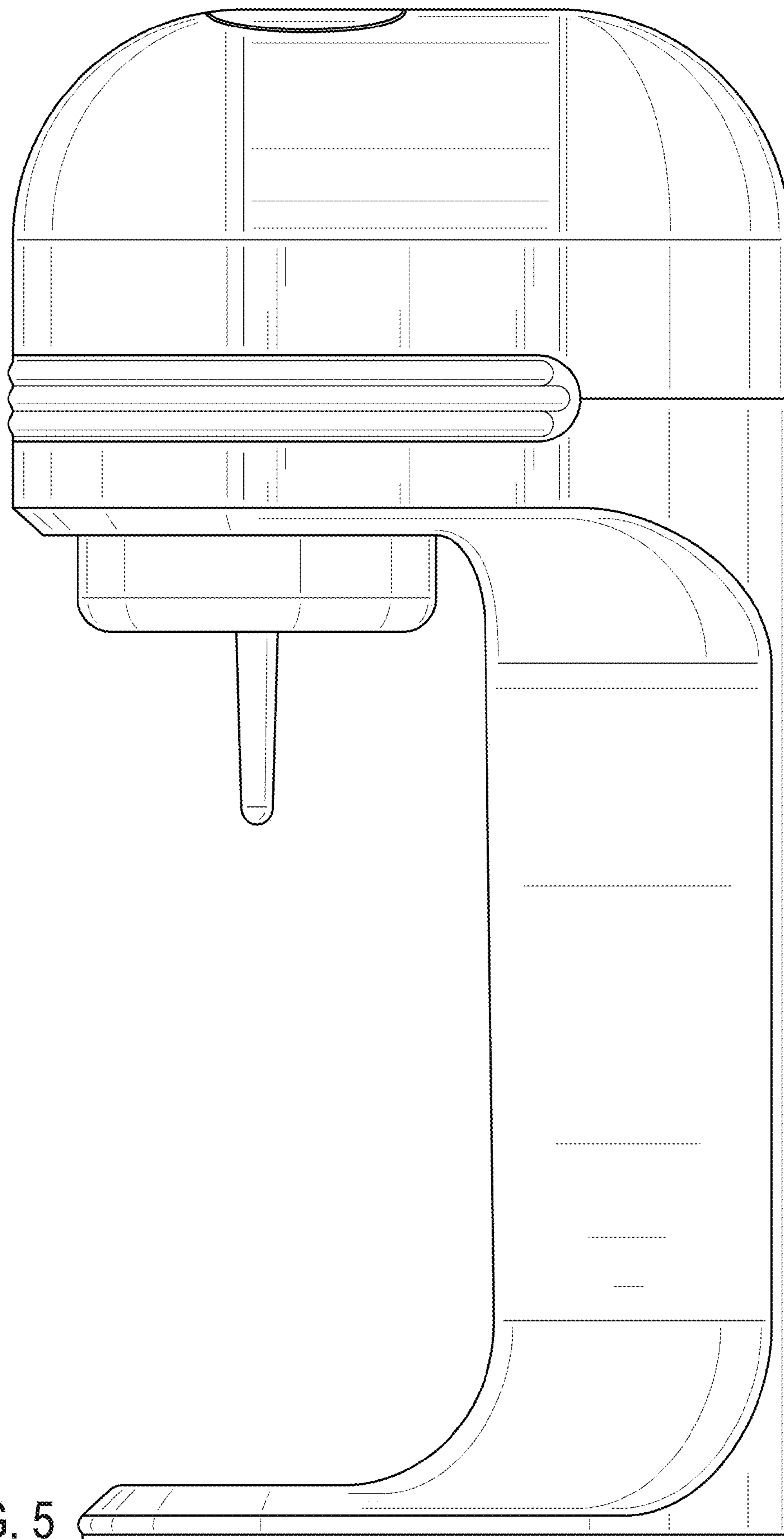


FIG. 5

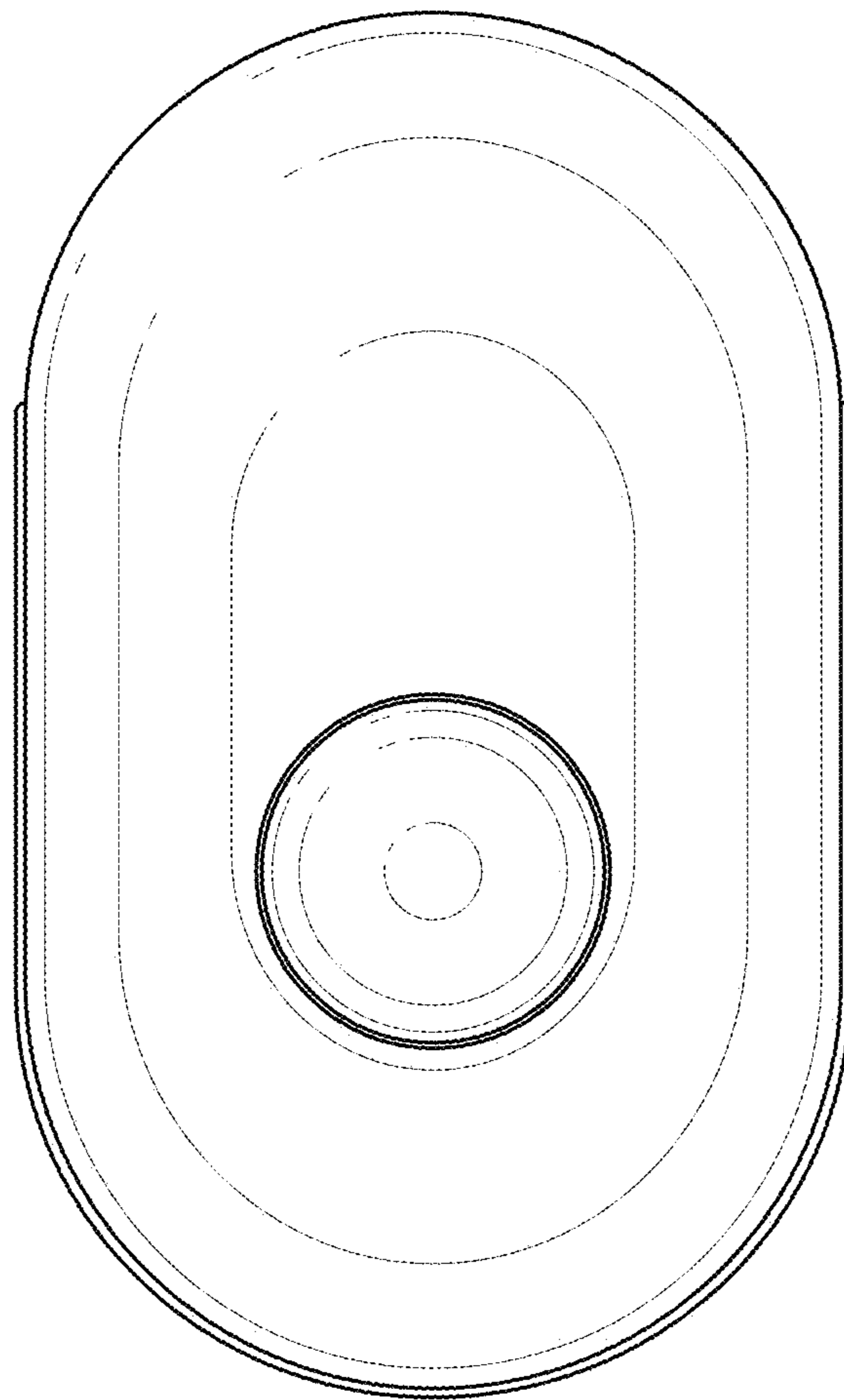


FIG. 6

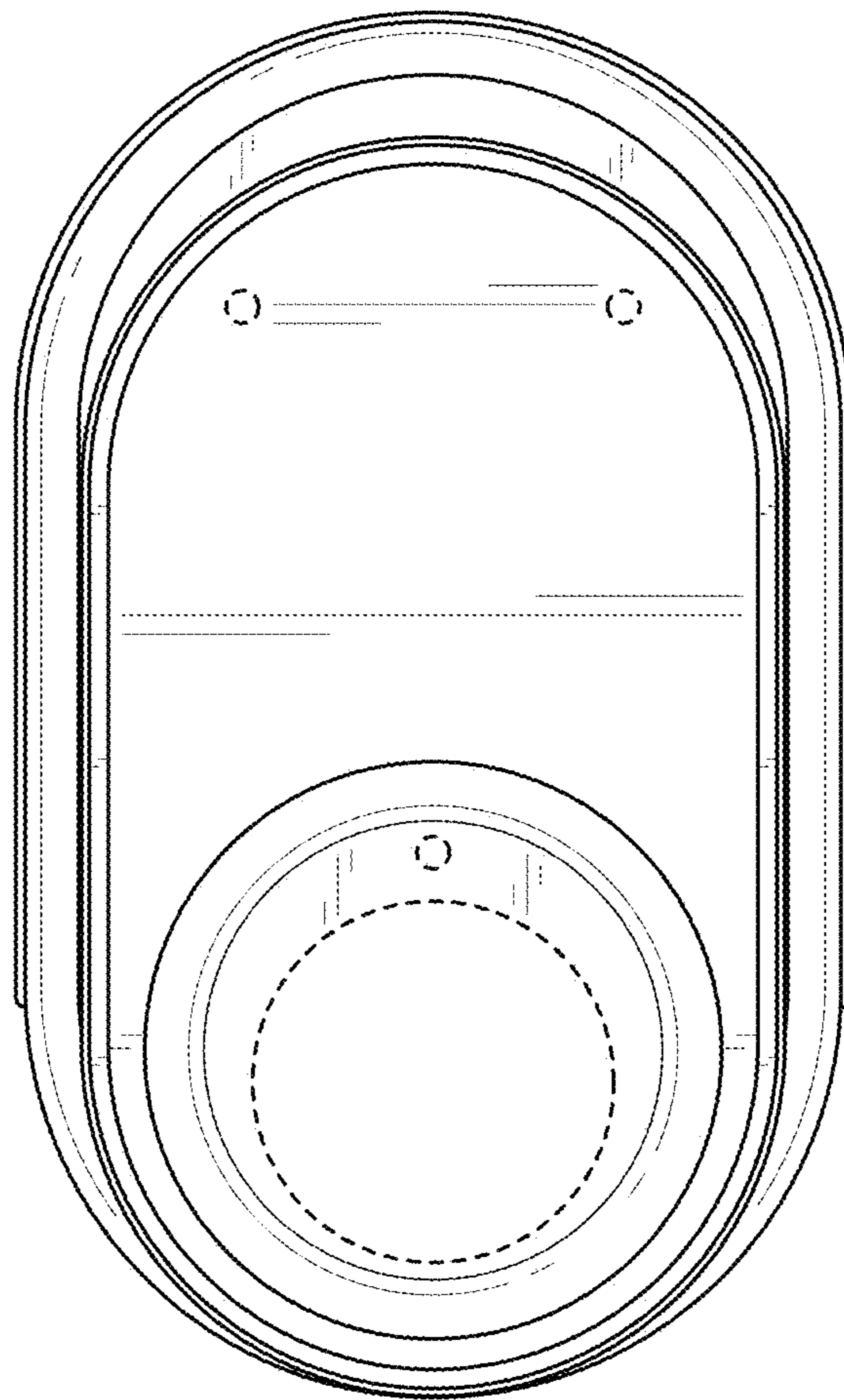


FIG. 7

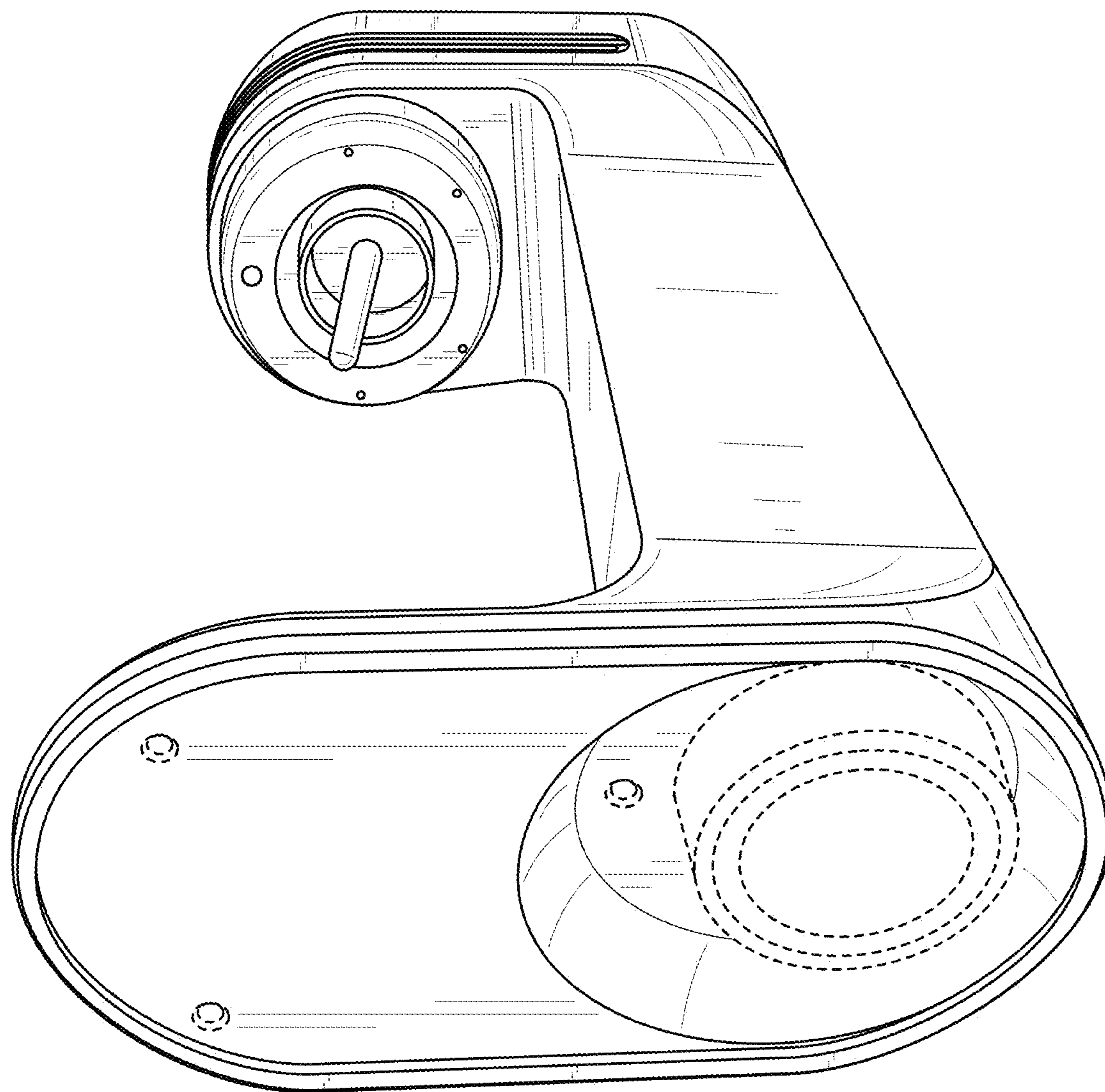


FIG. 8