



US00D879533S

(12) **United States Design Patent**
Liuzza et al.

(10) **Patent No.:** **US D879,533 S**
(45) **Date of Patent:** **** Mar. 31, 2020**

- (54) **BEVERAGE MACHINE**
- (71) Applicant: **Keurig Green Mountain, Inc.**,
Waterbury, VT (US)
- (72) Inventors: **Mario Liuzza**, Chelmsford, MA (US);
Robert John Sasena, Acton, MA (US);
Elaine Marie Duffy, Arlington, MA
(US); **Philip Drapeau**, Arlington, MA
(US)
- (73) Assignee: **Keurig Green Mountain, Inc.**,
Burlington, MA (US)
- (**) Term: **15 Years**
- (21) Appl. No.: **29/636,036**
- (22) Filed: **Feb. 5, 2018**
- (51) **LOC (12) Cl.** **07-01**
- (52) **U.S. Cl.**
USPC **D7/306; D7/309; D7/311; D7/397**
- (58) **Field of Classification Search**
USPC **D7/300, 309-311, 306-308, 305, 397,**
D7/355, 362, 365, 367, 399; 222/146.6,
222/185.1, 135; 99/295, 273, 304, 288,
99/279, 307, 283
CPC **A47J 31/02; A47J 31/407; A47J 31/50;**
A47J 31/18; A47J 31/061; A47J 27/04;
A47J 31/0573; A47J 31/52; A47J
31/3633; Y10T 74/18296
See application file for complete search history.

(56) **References Cited**

U.S. PATENT DOCUMENTS

- D240,386 S * 7/1976 Stuetzer D7/309
- 4,721,034 A * 1/1988 Shimomura A47J 31/047
99/280
- D299,608 S * 1/1989 Knochner D7/309
- D307,754 S * 5/1990 Osrow D15/82

- D379,049 S * 5/1997 Amiel D7/305
- D409,875 S * 5/1999 Alonge D7/309
- D414,647 S * 10/1999 Driscoll D7/309
- D496,553 S * 9/2004 Bodum D7/309
- D513,572 S 1/2006 Schaffeld et al.
- D514,371 S * 2/2006 Yang D7/306
- 7,165,488 B2 1/2007 Bragg et al.
- D552,402 S * 10/2007 Schwamkrug D7/309
- D560,950 S * 2/2008 Schwamkrug D7/309
- 7,347,138 B2 3/2008 Bragg et al.
- D585,229 S * 1/2009 de Visser D7/309
- D590,652 S * 4/2009 Cesaroni D7/309
- D596,442 S * 7/2009 Cahen D7/309
- D627,188 S * 11/2010 Picozza D7/306
- D666,451 S * 9/2012 Cheng D7/309
- 8,609,170 B2 12/2013 Tinkler et al.
- D703,989 S * 5/2014 Garman D7/305
- D712,188 S * 9/2014 Averty D7/309
- D714,088 S * 9/2014 Cahen D7/309
- D718,563 S * 12/2014 Deman D7/305

(Continued)

Primary Examiner — Marianne N Pandozzi

(74) *Attorney, Agent, or Firm* — Wolf, Greenfield & Sacks, P.C.

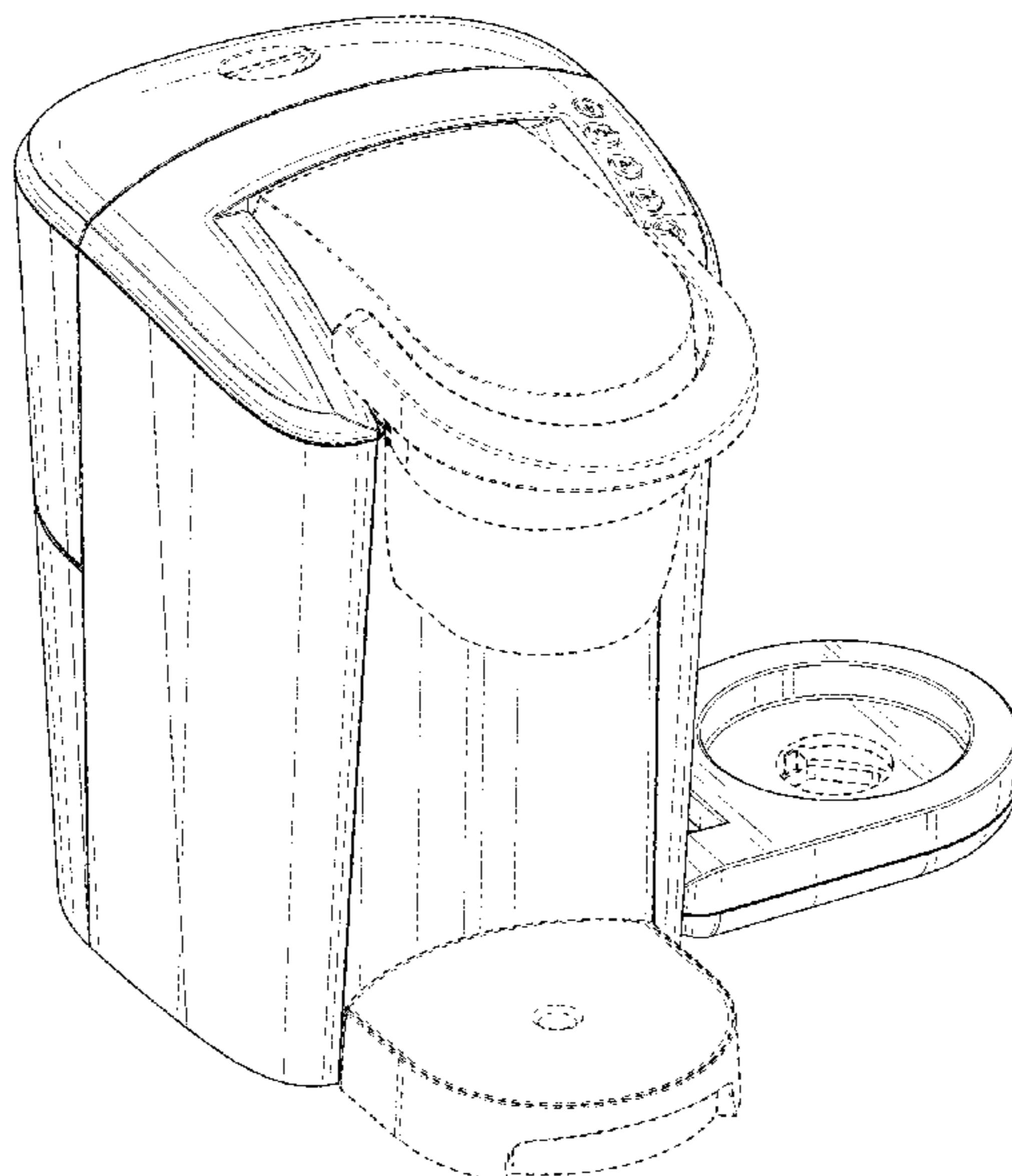
(57) **CLAIM**

The ornamental design for a beverage machine, as shown and described.

DESCRIPTION

FIG. 1 is a top, front, left side perspective view of a beverage machine showing our new design;
 FIG. 2 is a top, front, right side perspective view thereof;
 FIG. 3 is a front elevation view thereof;
 FIG. 4 is a rear elevation view thereof;
 FIG. 5 is a left side elevation view thereof;
 FIG. 6 is a right side elevation view thereof;
 FIG. 7 is a top plan view thereof; and,
 FIG. 8 is a bottom plan view thereof.
 The broken lines illustrate portions of the beverage machine that form no part of the claimed design.

1 Claim, 8 Drawing Sheets



(56)

References Cited

U.S. PATENT DOCUMENTS

D718,972 S * 12/2014 Jorgensen D7/309
D722,463 S * 2/2015 Manly et al.
D726,481 S * 4/2015 Cahen D7/309
D726,482 S * 4/2015 Cahen D7/309
D728,988 S * 5/2015 Warburton D7/306
D736,025 S * 8/2015 Kestenbaum D7/309
D745,307 S * 12/2015 Kestenbaum D7/309
D762,412 S * 8/2016 Kestenbaum D7/392
D765,455 S * 9/2016 de Gooijer D7/309
9,474,406 B2 10/2016 Smith et al.
D773,877 S * 12/2016 Lee D7/309
D773,878 S * 12/2016 Lee D7/309
D783,347 S * 4/2017 Kestenbaum D7/397
D788,509 S * 6/2017 Wei D7/305
D812,952 S * 3/2018 Fedorak D7/306
D816,383 S * 5/2018 Liang D7/310
D830,756 S * 10/2018 Cahen D7/306
D831,398 S * 10/2018 Cahen D7/306
D832,019 S * 10/2018 Cahen D7/306
D836,371 S * 12/2018 Cahen D7/306
D838,532 S * 1/2019 Seidl D7/311
D841,383 S * 2/2019 Warburton D7/306
D843,154 S * 3/2019 Buttler D7/309
D843,765 S * 3/2019 Fedorak D7/306
D853,771 S * 7/2019 Wood D7/306

* cited by examiner

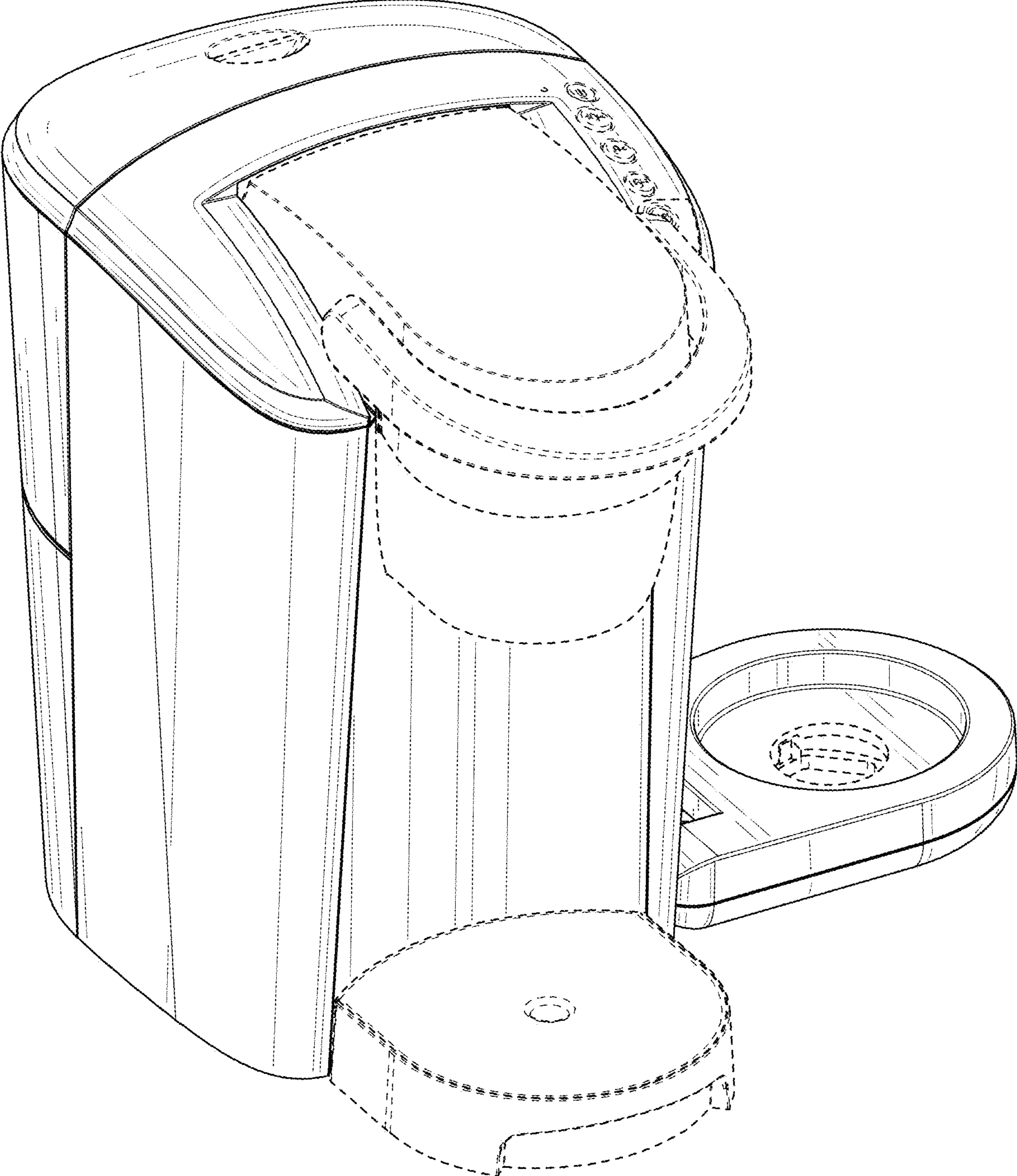


FIG. 1

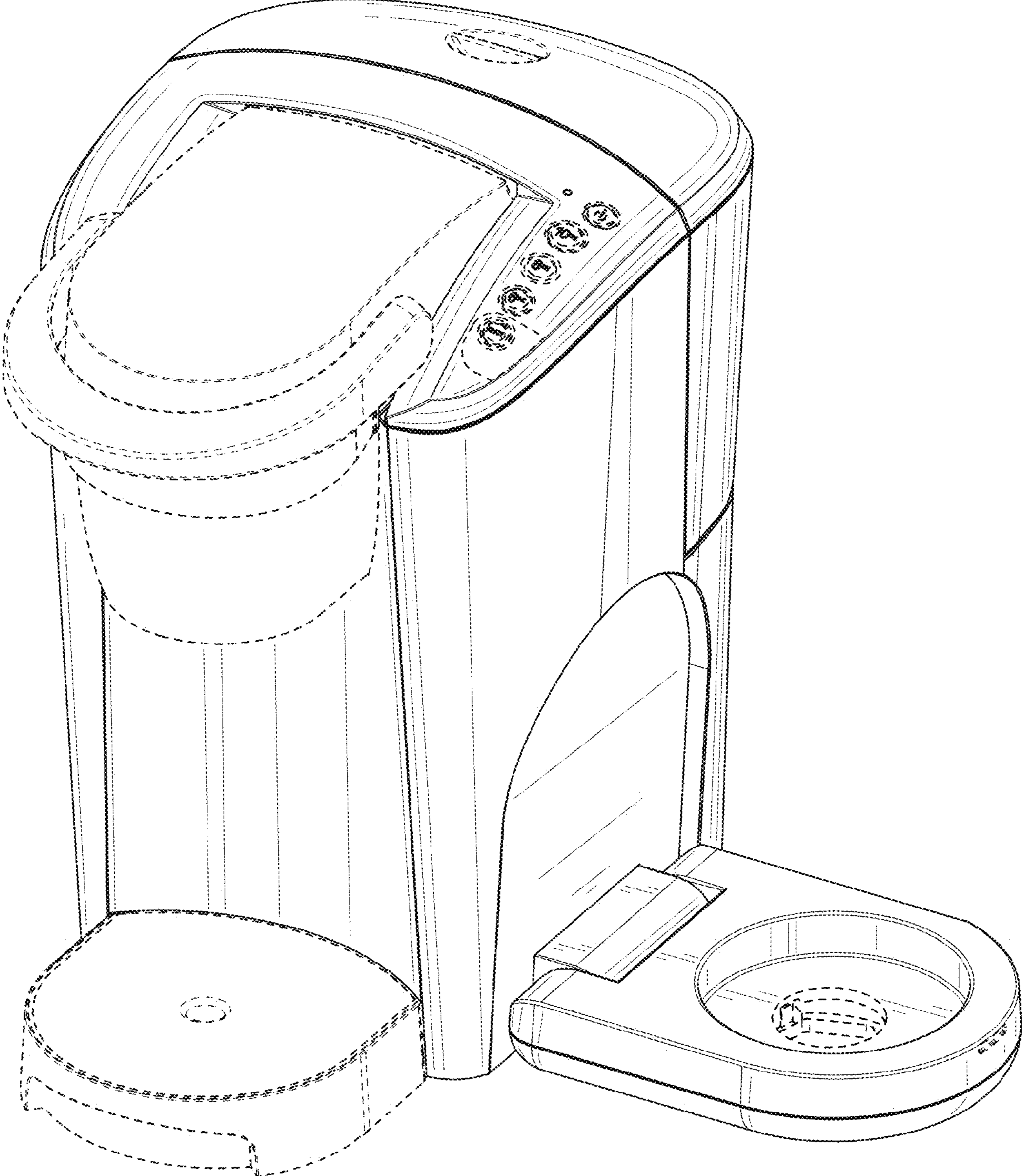


FIG. 2

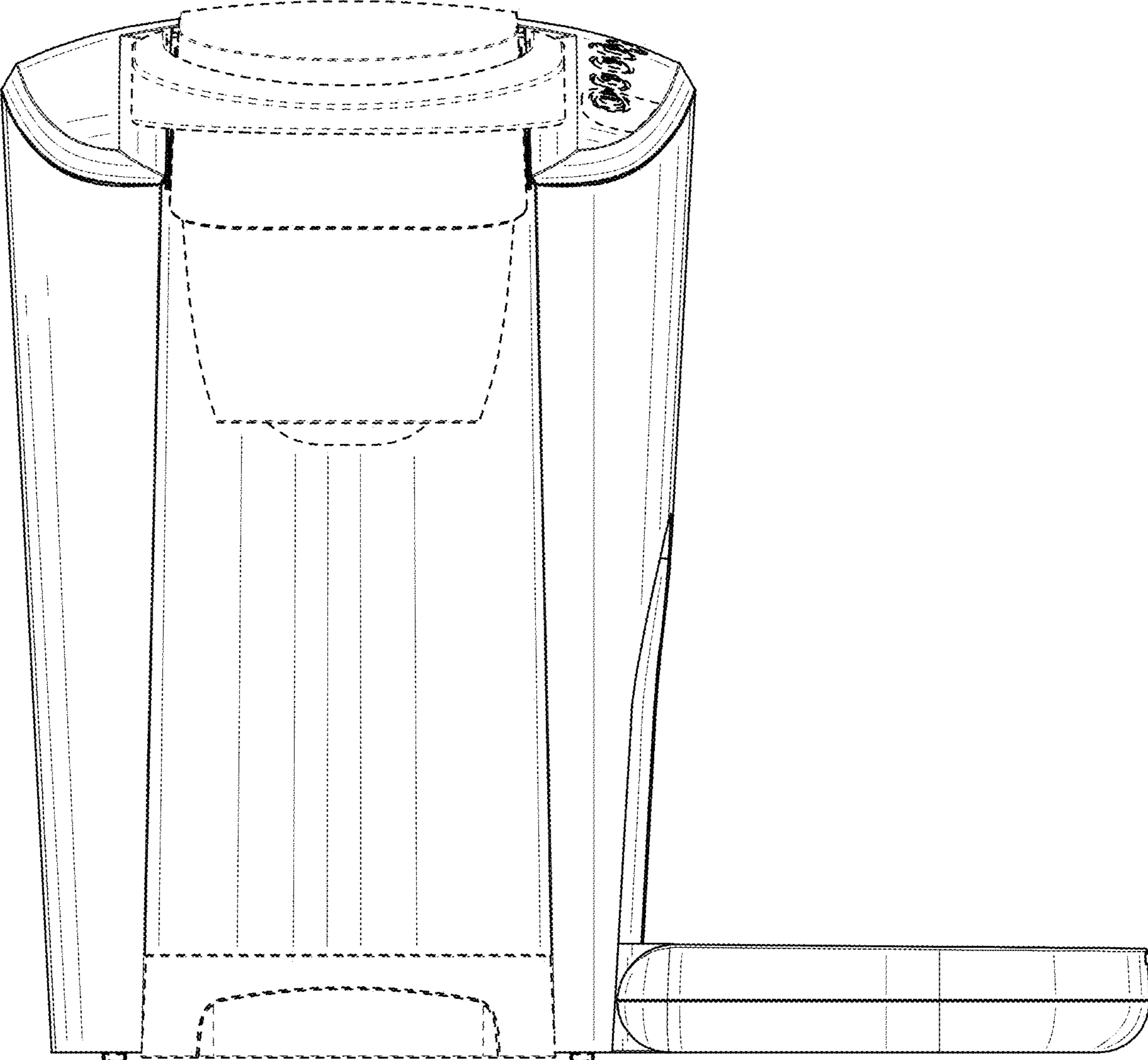


FIG. 3

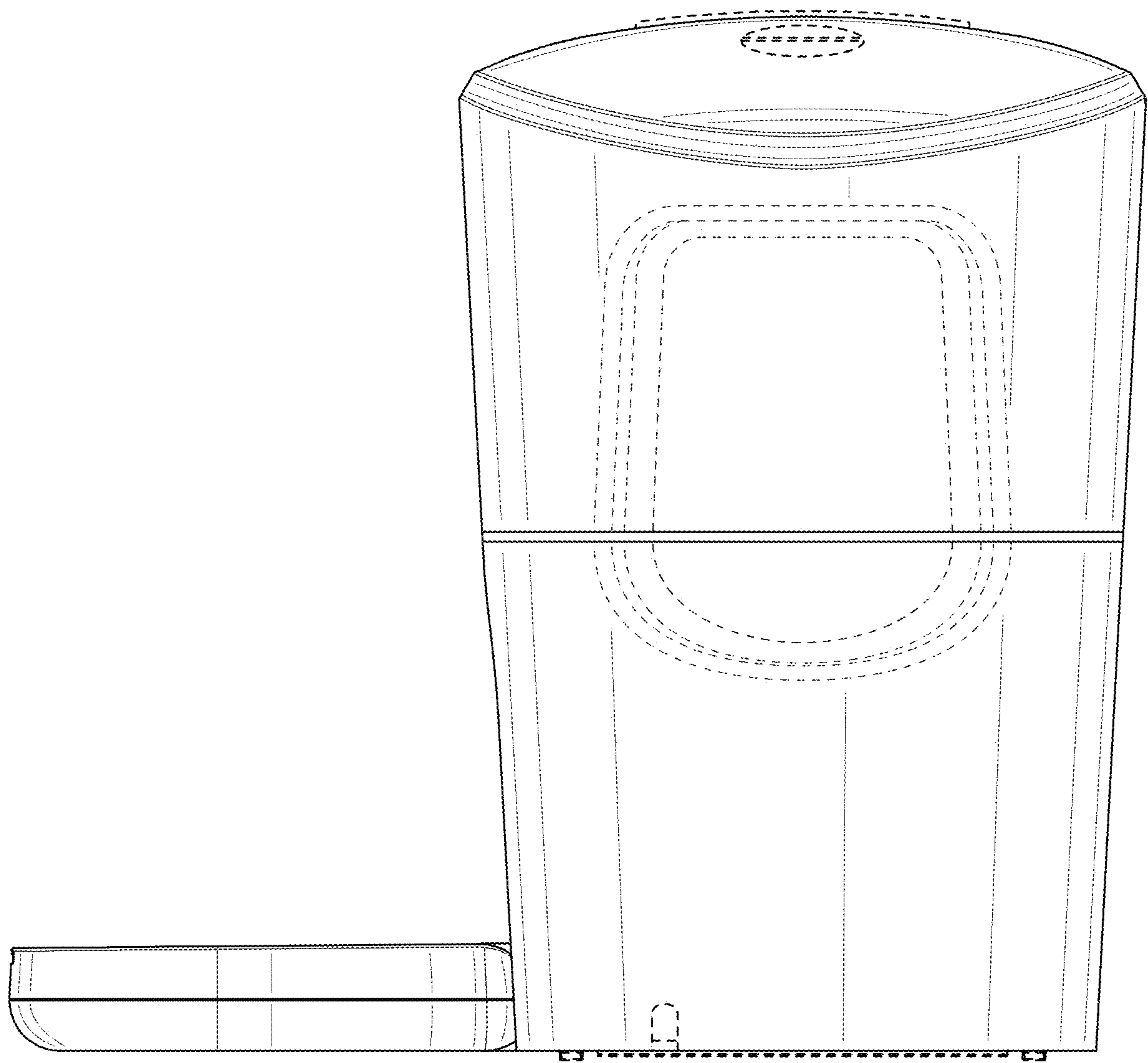


FIG. 4

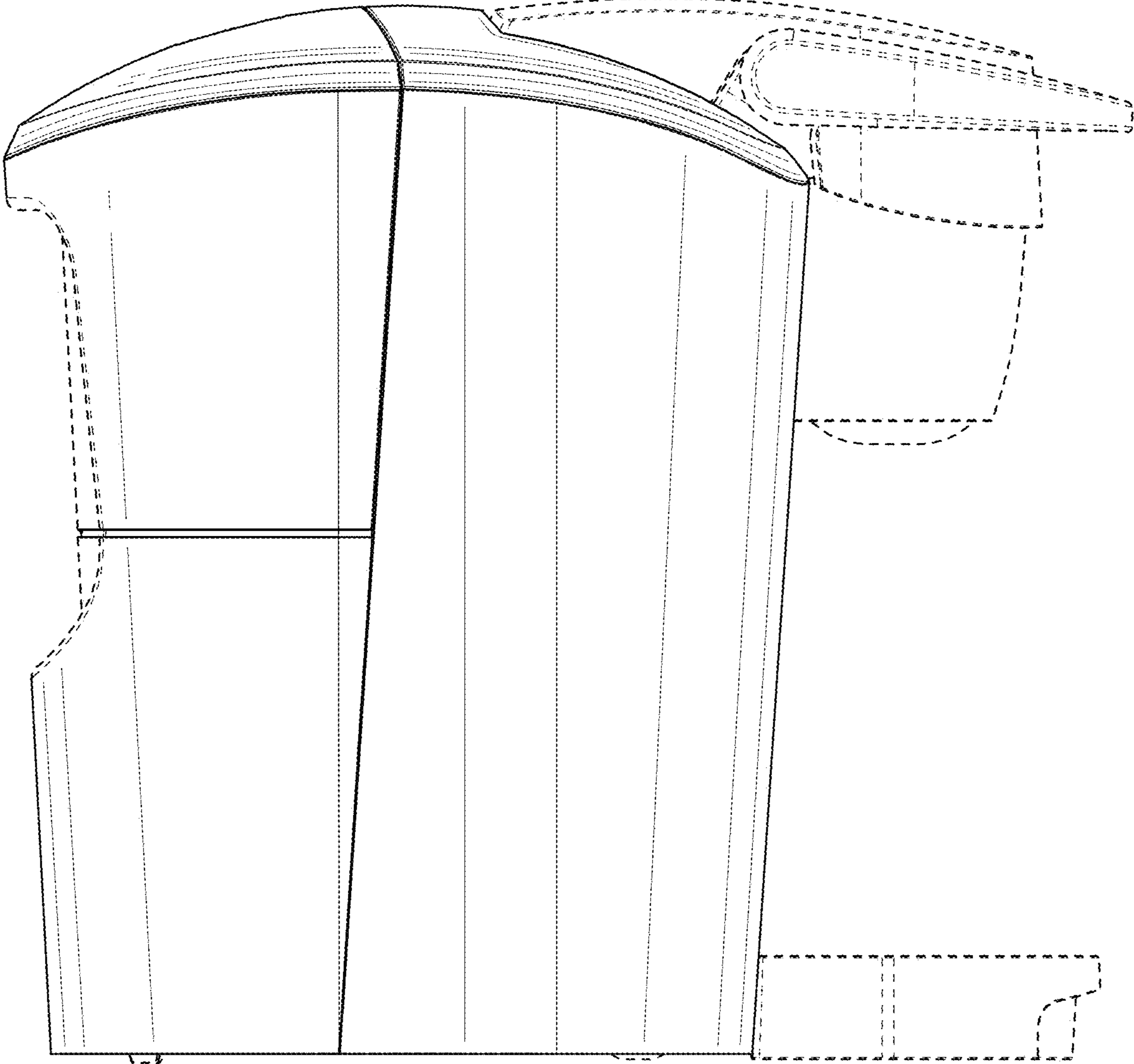


FIG. 5

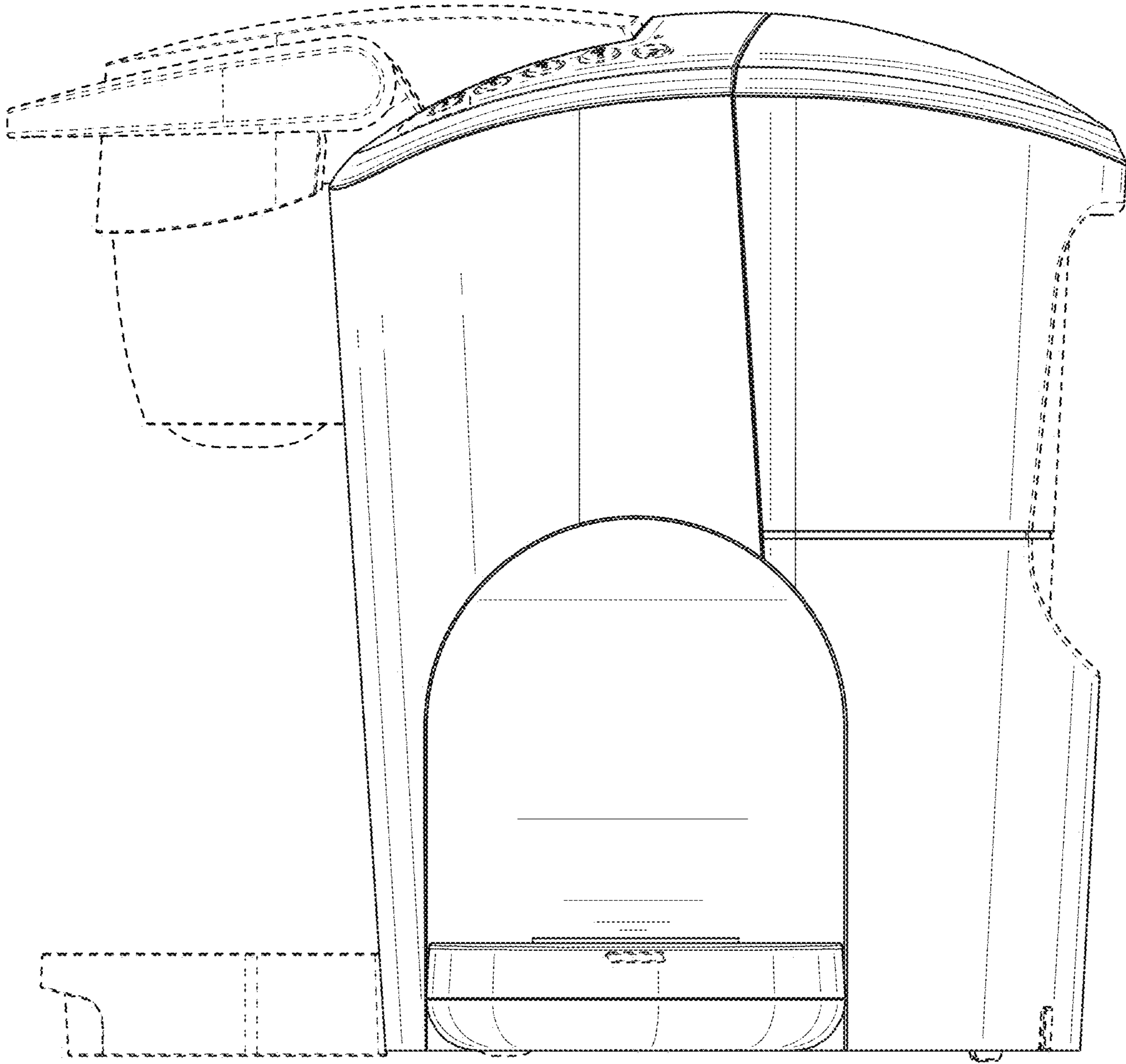


FIG. 6

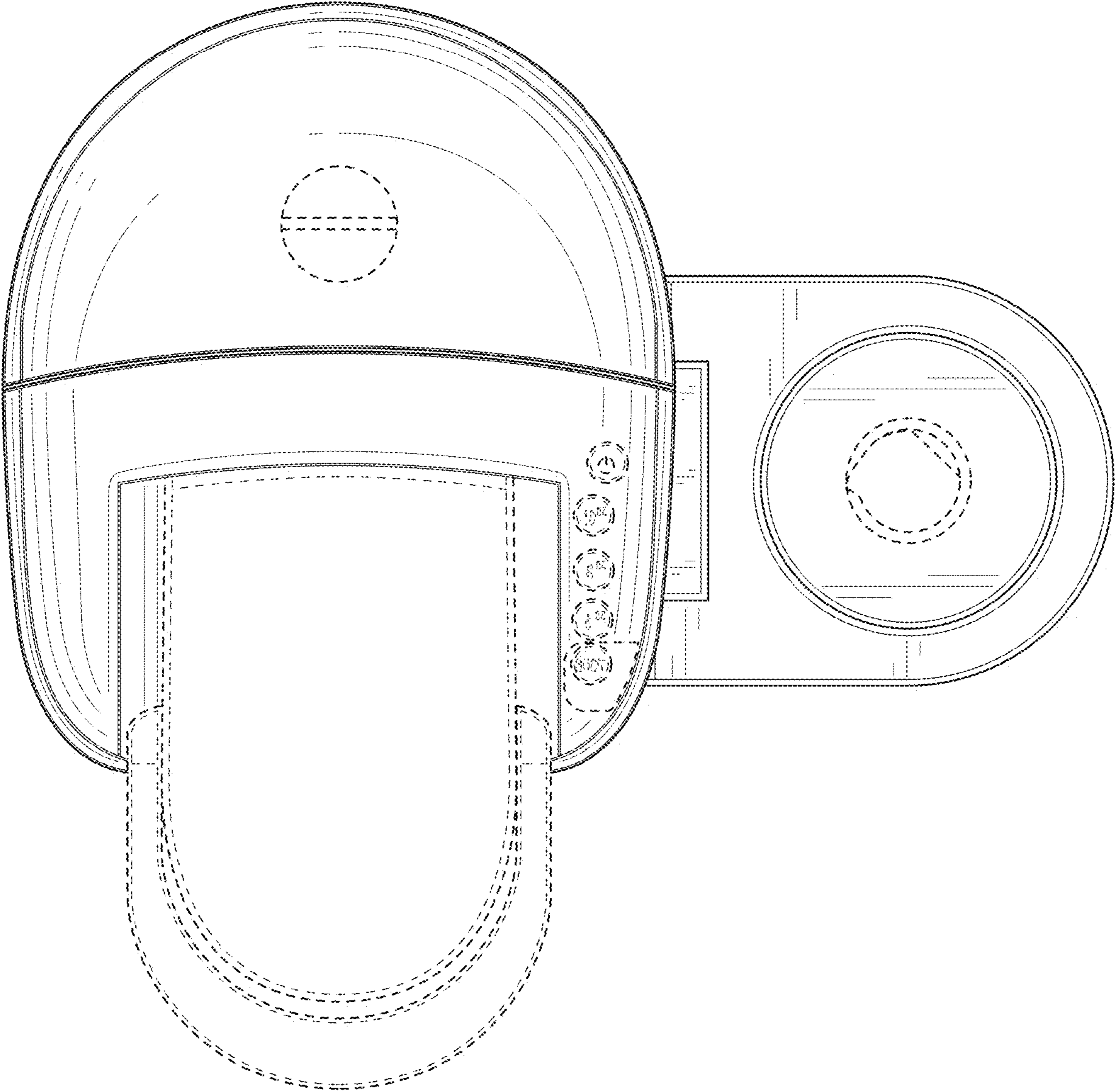


FIG. 7

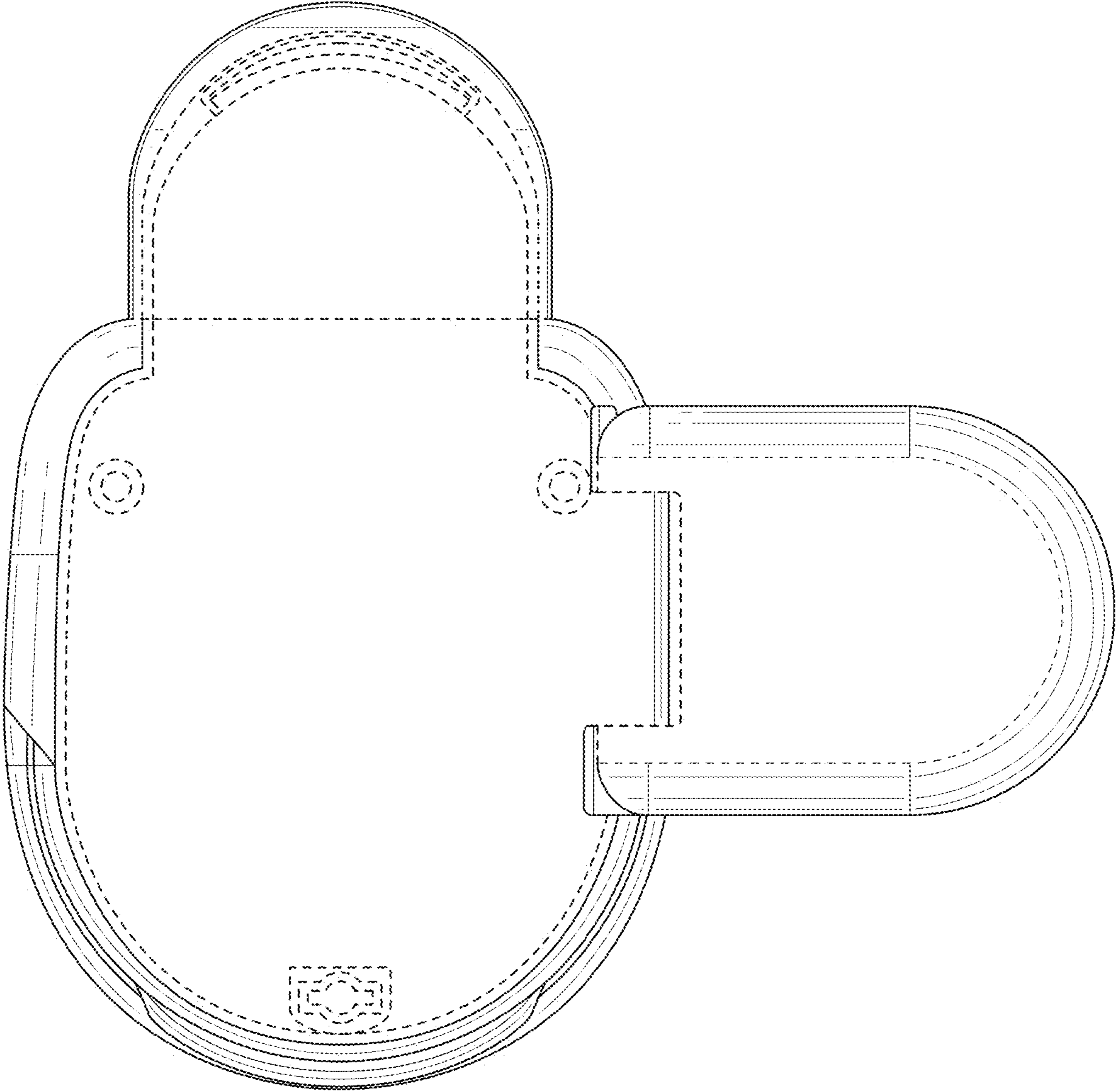


FIG. 8