



US00D879532S

(12) **United States Design Patent**
Kaplan et al.

(10) **Patent No.:** **US D879,532 S**

(45) **Date of Patent:** **** Mar. 31, 2020**

(54) **BEVERAGE MACHINE**

(71) Applicant: **Keurig Green Mountain, Inc.,**
Waterbury, VT (US)

(72) Inventors: **Joshua Kaplan**, Stowe, VT (US);
Mario Liuzza, Chelmsford, MA (US);
Robert John Sasena, Acton, MA (US);
Elaine Marie Duffy, Arlington, MA
(US); **Edward Wilson Licitra**, San
Francisco, CA (US); **Lea Kobeli**, San
Francisco, CA (US); **Germain**
Verbrackel, San Francisco, CA (US);
Colton Sanford, San Francisco, CA
(US)

(73) Assignee: **Keurig Green Mountain, Inc.,**
Burlington, MA (US)

(**) Term: **15 Years**

(21) Appl. No.: **29/636,035**

(22) Filed: **Feb. 5, 2018**

(51) **LOC (12) Cl.** **07-01**

(52) **U.S. Cl.**

USPC **D7/306**; D7/309; D7/311; D7/397

(58) **Field of Classification Search**

USPC D7/300, 306-308, 309, 311, 305, 397,
D7/355, 362, 365, 367, 399; 222/146.6,
222/185.1, 135; 99/295, 273, 304, 288,
99/279, 307, 283

CPC A47J 31/02; A47J 31/407; A47J 31/50;
A47J 31/18; A47J 31/061; A47J 27/04;
A47J 31/0573; A47J 31/52; A47J
31/3633; Y10T 74/18296

See application file for complete search history.

(56) **References Cited**

U.S. PATENT DOCUMENTS

D240,386 S * 7/1976 Stuetzer D7/309
4,721,034 A * 1/1988 Shimomura A47J 31/047
99/280

D299,608 S * 1/1989 Knochner D7/309
D307,754 S * 5/1990 Osrow D15/82
D379,049 S * 5/1997 Amiel D7/305
D409,875 S * 5/1999 Alonge D7/309
D414,647 S * 10/1999 Driscoll D7/309
D431,409 S * 10/2000 Man D7/309
D496,553 S * 9/2004 Bodum D7/309
D499,926 S * 12/2004 Cahen D7/300
D514,371 S * 2/2006 Yang D7/306
D552,402 S * 10/2007 Schwamkrug D7/309
D560,950 S * 2/2008 Schwamkrug D7/309
D561,515 S * 2/2008 De Pra' D7/309

(Continued)

OTHER PUBLICATIONS

[No Author Listed] Image of Breville BKC600XCL, publicly avail-
able prior to Feb. 5, 2018, 1 page.

(Continued)

Primary Examiner — Marianne N Pandozzi

(74) *Attorney, Agent, or Firm* — Wolf, Greenfield &
Sacks, P.C.

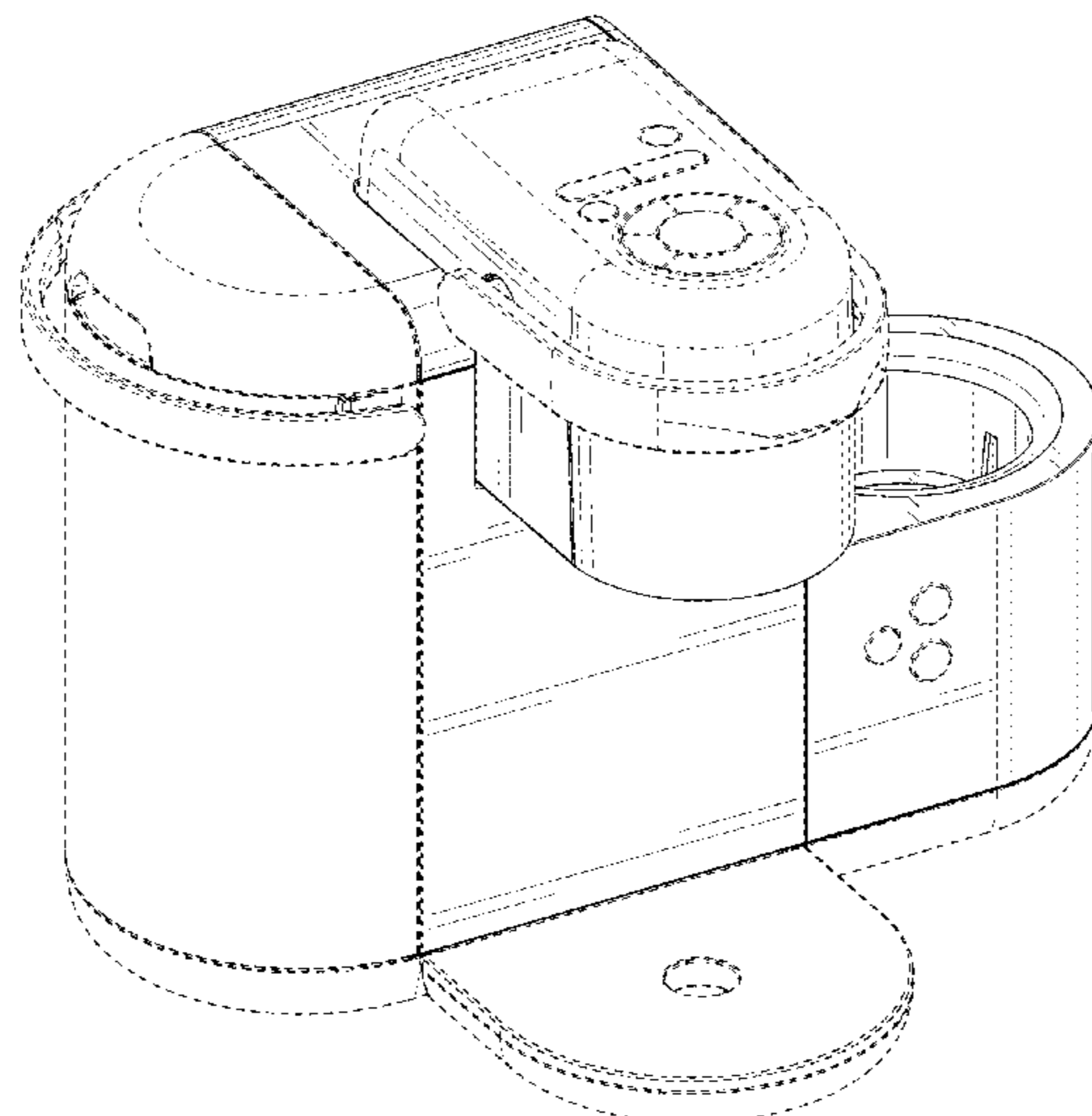
(57) **CLAIM**

The ornamental design for a beverage machine, as shown
and described.

DESCRIPTION

FIG. 1 is a top, front, left side perspective view of a beverage
machine showing our new design;
FIG. 2 is a front elevation view thereof;
FIG. 3 is a rear elevation view thereof;
FIG. 4 is a left side elevation view thereof;
FIG. 5 is a right side elevation view thereof;
FIG. 6 is a top plan view thereof; and,
FIG. 7 is a bottom plan view thereof.
The broken lines illustrate portions of the beverage machine
that form no part of the claimed design.

1 Claim, 7 Drawing Sheets



(56)

References Cited

U.S. PATENT DOCUMENTS

D561,516 S * 2/2008 De Pra' D7/309
 D574,175 S * 8/2008 Cahen D7/306
 D580,208 S * 11/2008 Cheng D7/306
 D585,229 S * 1/2009 de Visser D7/309
 D590,652 S * 4/2009 Cesaroni D7/309
 D596,442 S * 7/2009 Cahen D7/309
 D627,188 S * 11/2010 Picozza D7/306
 D666,451 S * 9/2012 Cheng D7/309
 D703,989 S * 5/2014 Garman D7/305
 D712,188 S * 9/2014 Averty D7/309
 D714,088 S * 9/2014 Cahen D7/309
 D718,563 S * 12/2014 Deman D7/305
 D718,972 S * 12/2014 Jorgensen D7/309
 D726,481 S * 4/2015 Cahen D7/309
 D726,482 S * 4/2015 Cahen D7/309
 D728,988 S * 5/2015 Warburton D7/306
 D736,025 S * 8/2015 Kestenbaum D7/309
 D745,307 S * 12/2015 Kestenbaum D7/309
 D762,412 S * 8/2016 Kestenbaum D7/392

D765,455 S * 9/2016 de Gooijer D7/309
 D773,877 S * 12/2016 Lee D7/309
 D773,878 S * 12/2016 Lee D7/309
 D783,347 S * 4/2017 Kestenbaum D7/397
 D788,509 S * 6/2017 Wei D7/305
 D812,952 S * 3/2018 Fedorak D7/306
 D816,383 S * 5/2018 Liang D7/310
 D830,756 S * 10/2018 Cahen D7/306
 D831,398 S * 10/2018 Cahen D7/306
 D832,019 S * 10/2018 Cahen D7/306
 D836,371 S * 12/2018 Cahen D7/306
 D838,532 S * 1/2019 Seidl D7/311
 D841,383 S * 2/2019 Warburton D7/306
 D843,154 S * 3/2019 Buttler D7/309
 D843,765 S * 3/2019 Fedorak D7/306
 D853,771 S * 7/2019 Wood D7/306

OTHER PUBLICATIONS

[No Author Listed] Images of SodaStream, publicly available prior to Feb. 5, 2018, 2 pages.

* cited by examiner

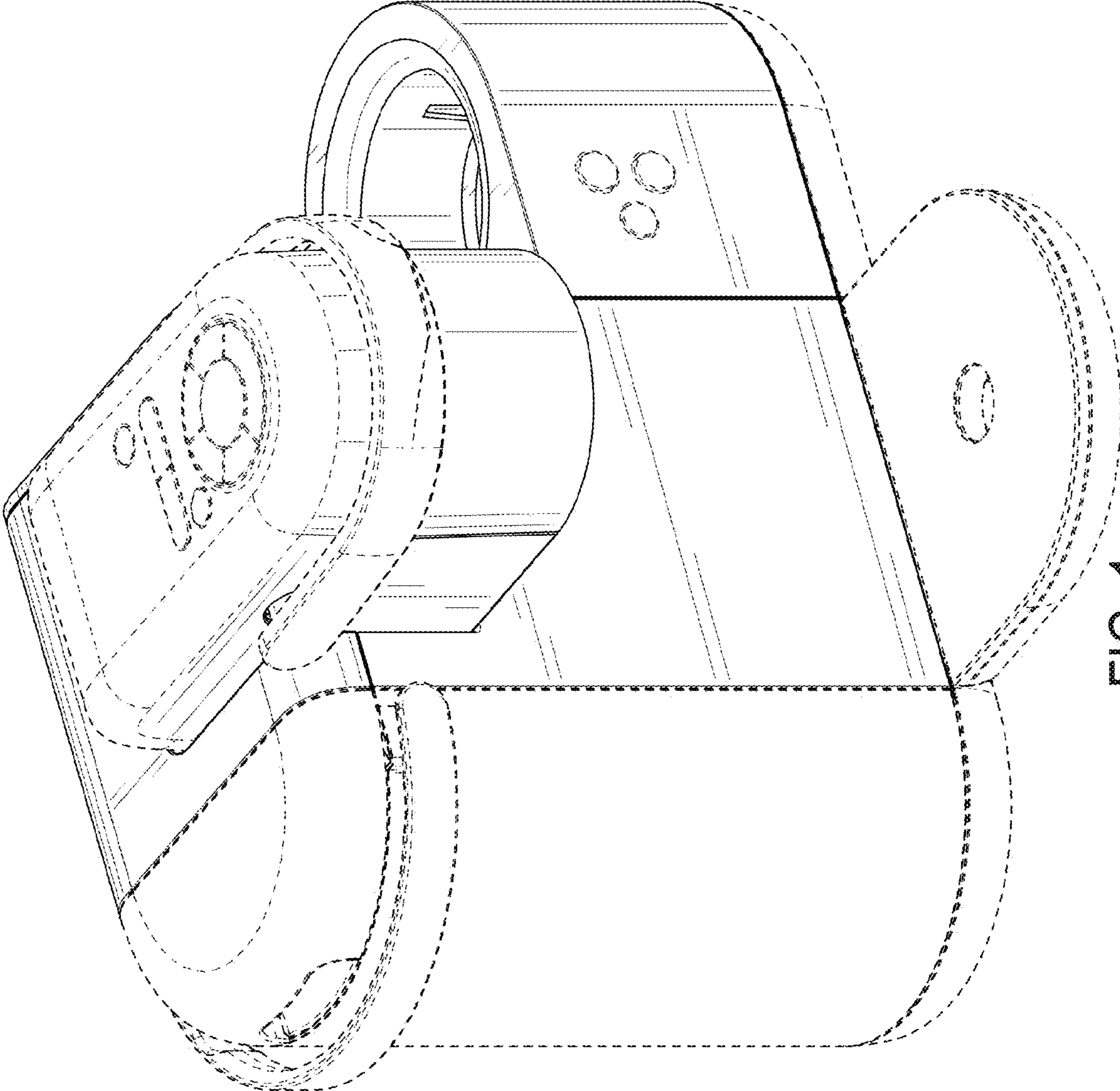


FIG. 1

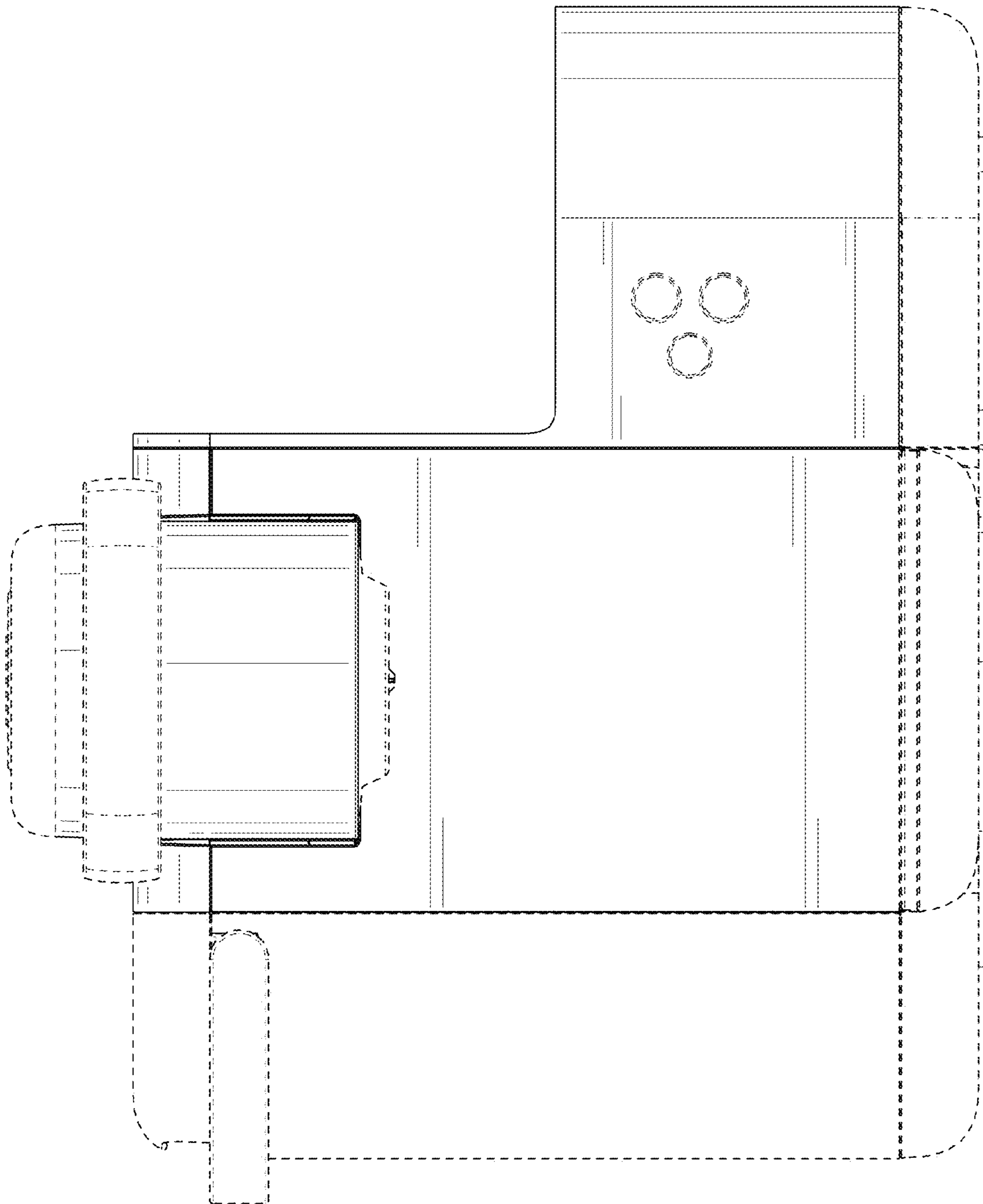


FIG. 2

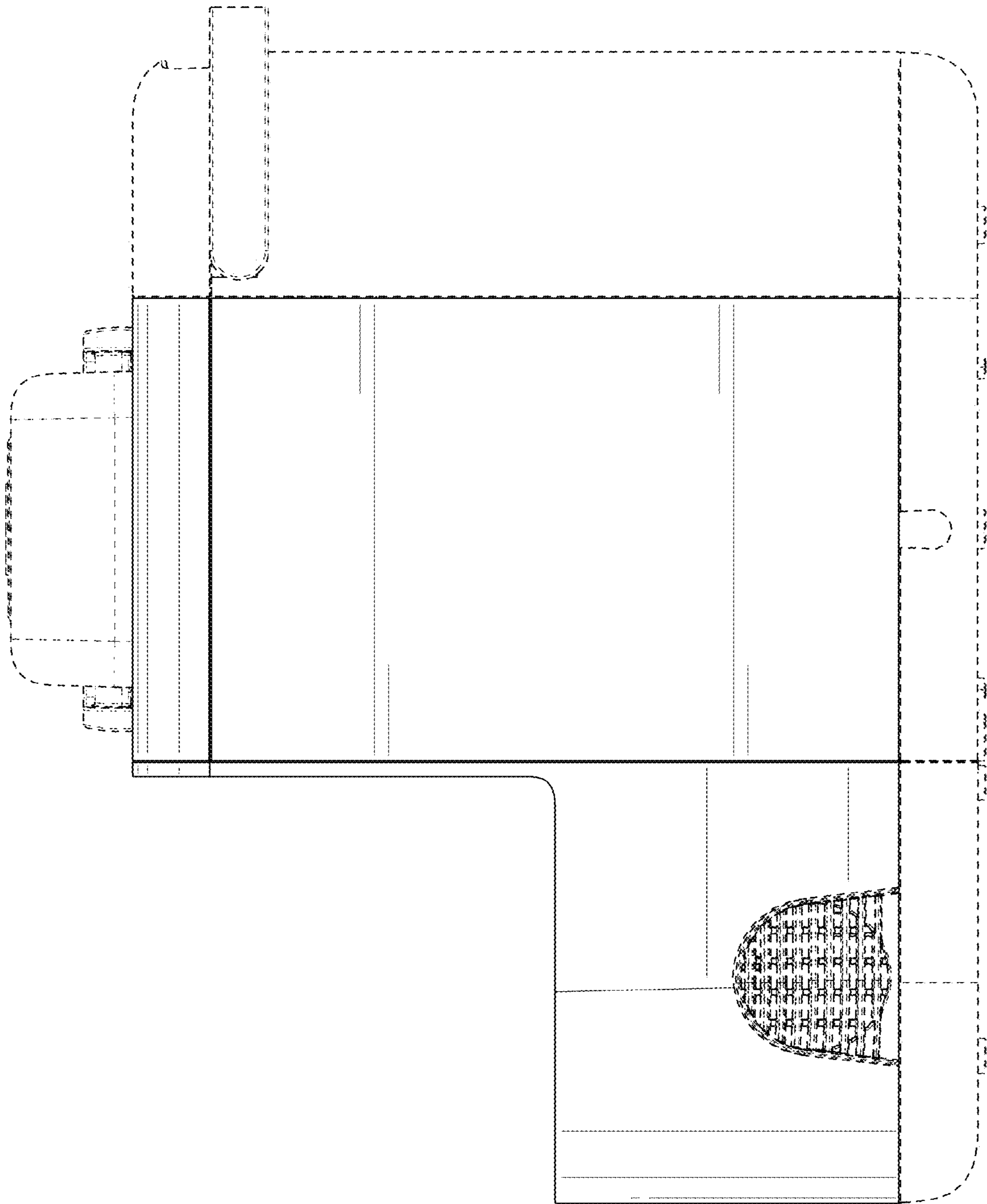


FIG. 3

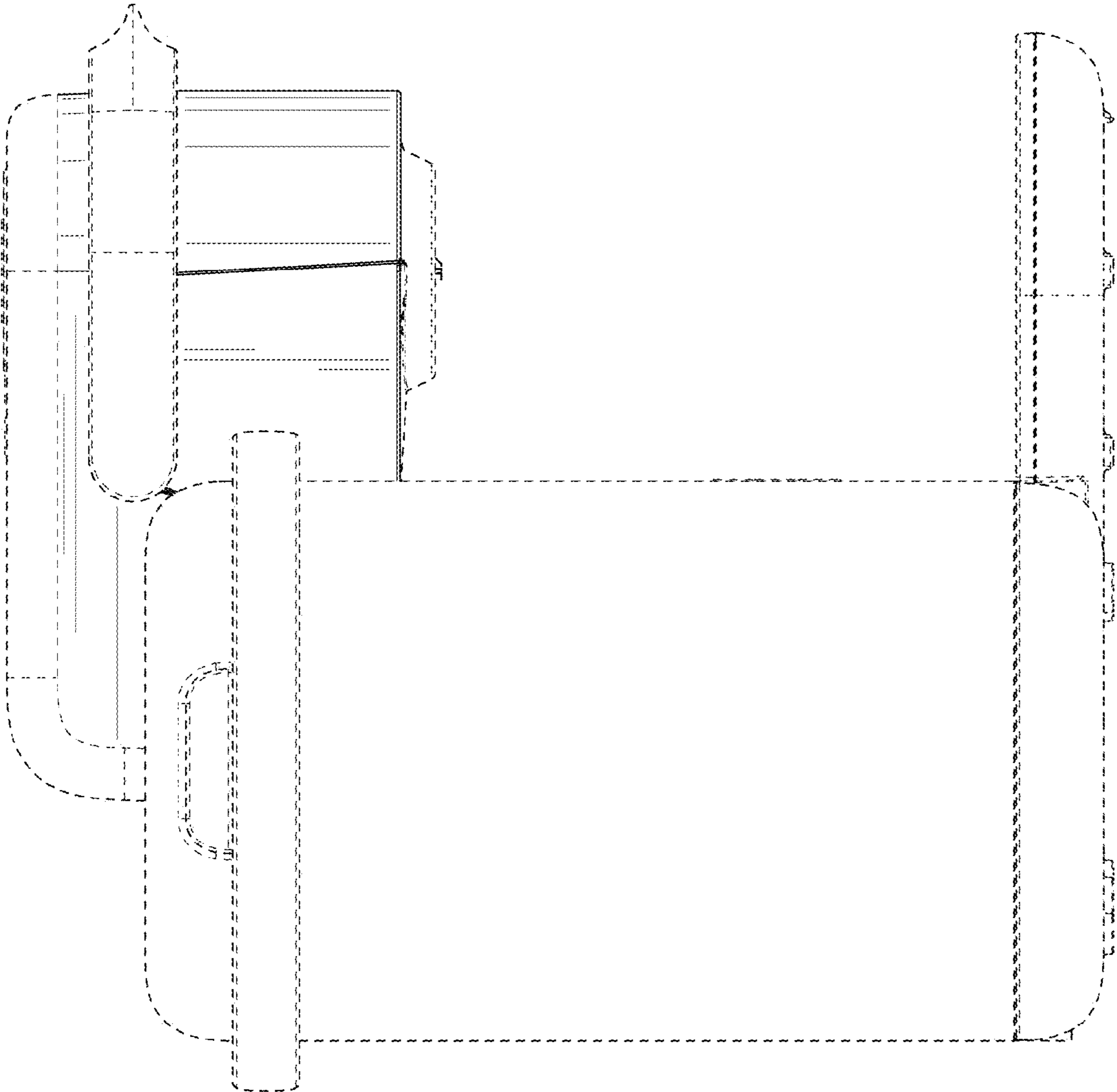


FIG. 4

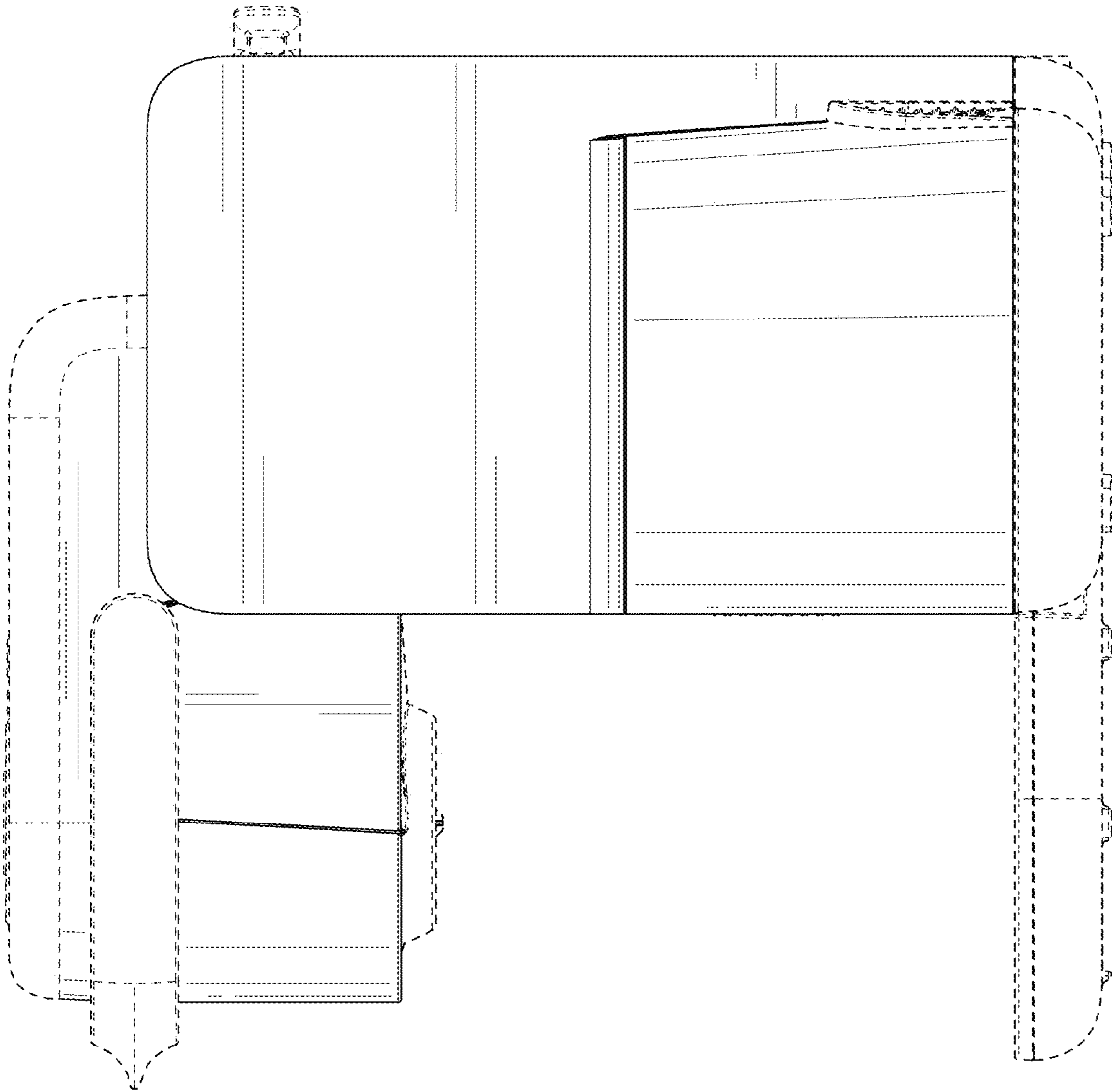


FIG. 5

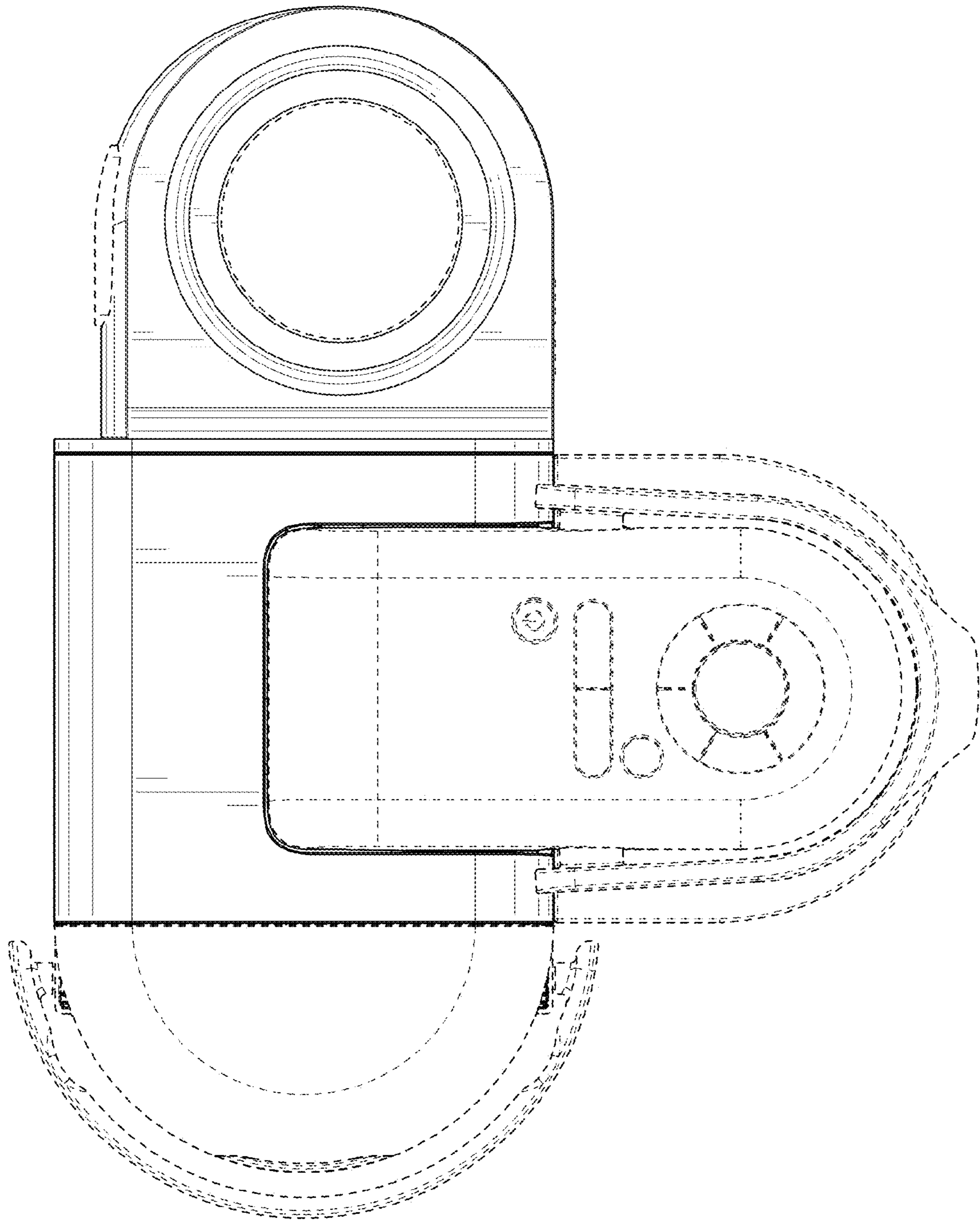


FIG. 6

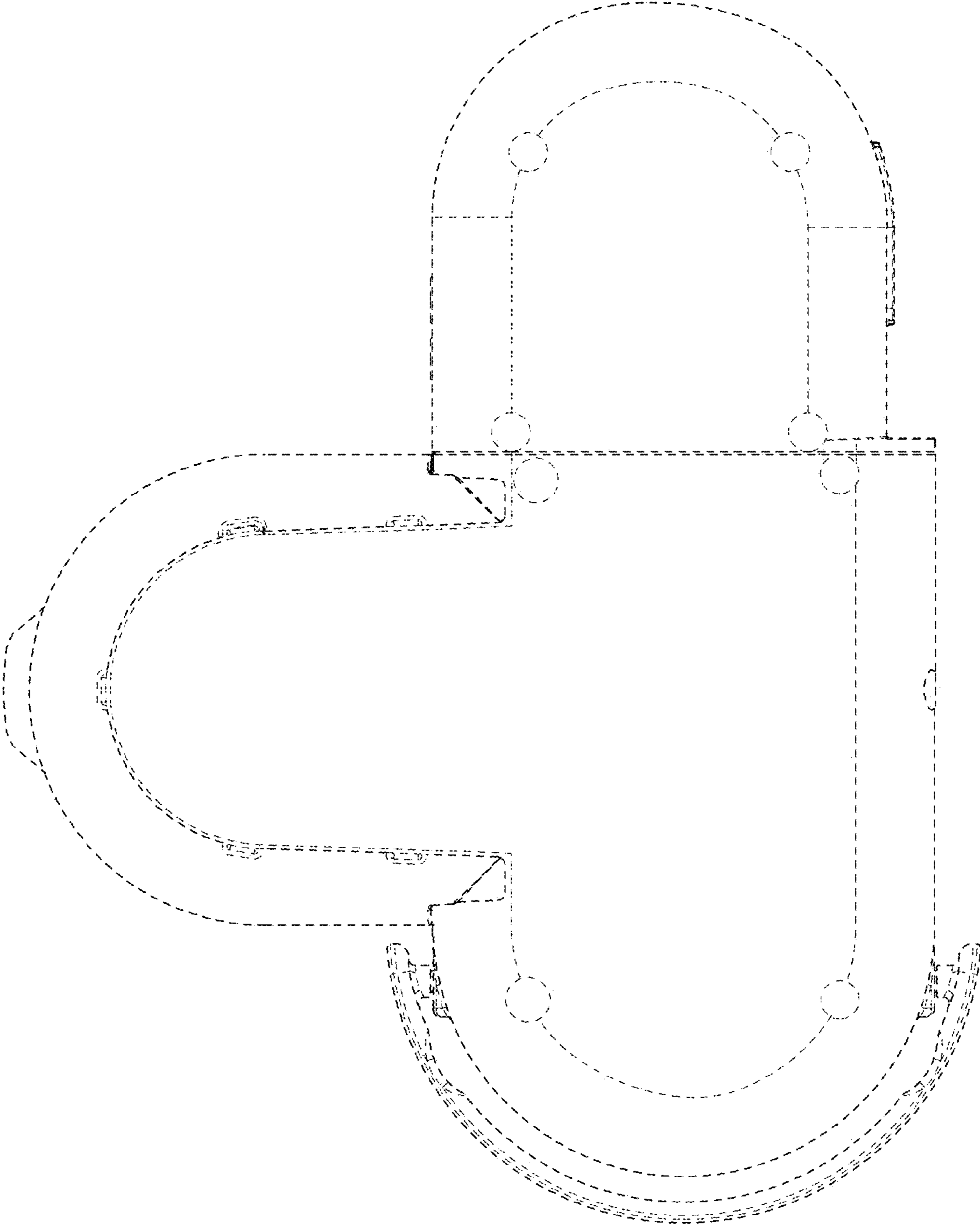


FIG. 7