



US00D879531S

(12) **United States Design Patent** (10) **Patent No.:** **US D879,531 S**  
**Cauwood et al.** (45) **Date of Patent:** **\*\* Mar. 31, 2020**

(54) **BEVERAGE MACHINE**  
(71) Applicant: **Keurig Green Mountain, Inc.**,  
Waterbury, VT (US)  
(72) Inventors: **Peter David Cauwood**, Cambridge  
(GB); **Iain James Sabberton**,  
Cambridge (GB); **Matthew John**  
**Maitland**, Cambridge (GB); **Keith Paul**  
**Thompson**, Cambridge (GB)

D550,499 S \* 9/2007 Argabrite ..... D7/309  
D580,208 S \* 11/2008 Cheng ..... D7/306  
D719,776 S \* 12/2014 Kunz ..... D7/309  
D721,531 S \* 1/2015 Krasne ..... D7/309  
D728,986 S \* 5/2015 De'Longhi ..... D7/309  
D730,674 S \* 6/2015 De'Longhi ..... D7/309  
D735,515 S \* 8/2015 Fusco ..... D7/306  
D739,677 S \* 9/2015 Du ..... D7/309  
D742,680 S \* 11/2015 Burrows ..... D7/309  
9,516,969 B2 12/2016 Weffen

(Continued)

(73) Assignee: **Keurig Green Mountain, Inc.**,  
Burlington, MA (US)

(\*\*) Term: **15 Years**

(21) Appl. No.: **29/636,034**

(22) Filed: **Feb. 5, 2018**

(51) **LOC (12) Cl.** ..... **07-01**

(52) **U.S. Cl.**  
USPC ..... **D7/306; D7/311; D7/309**

(58) **Field of Classification Search**  
USPC ..... D7/300, 306-308, 309-311, 305, 397,  
D7/355, 362, 365, 367, 399; 222/146.6,  
222/185.1, 135; 99/295, 273, 304, 288,  
99/279, 307, 283  
CPC ..... A47J 31/02; A47J 31/407; A47J 31/50;  
A47J 31/18; A47J 31/061; A47J 27/04;  
A47J 31/0573; A47J 31/52; A47J  
31/3633; Y10T 74/18296  
See application file for complete search history.

(56) **References Cited**

**U.S. PATENT DOCUMENTS**

D343,758 S \* 2/1994 Beeren ..... D7/309  
D356,923 S \* 4/1995 Reinardy ..... D7/309  
D497,278 S \* 10/2004 Picozza ..... D7/309  
D498,110 S \* 11/2004 Picozza ..... D7/309  
D502,841 S \* 3/2005 Santer ..... D7/309  
D546,112 S \* 7/2007 Rorke ..... D7/309

**OTHER PUBLICATIONS**

[No Author Listed] Image of Breville BKC600XCL, publicly avail-  
able prior to Feb. 5, 2018, 1 page.

(Continued)

*Primary Examiner* — Marianne N Pandozzi

(74) *Attorney, Agent, or Firm* — Wolf, Greenfield &  
Sacks, P.C.

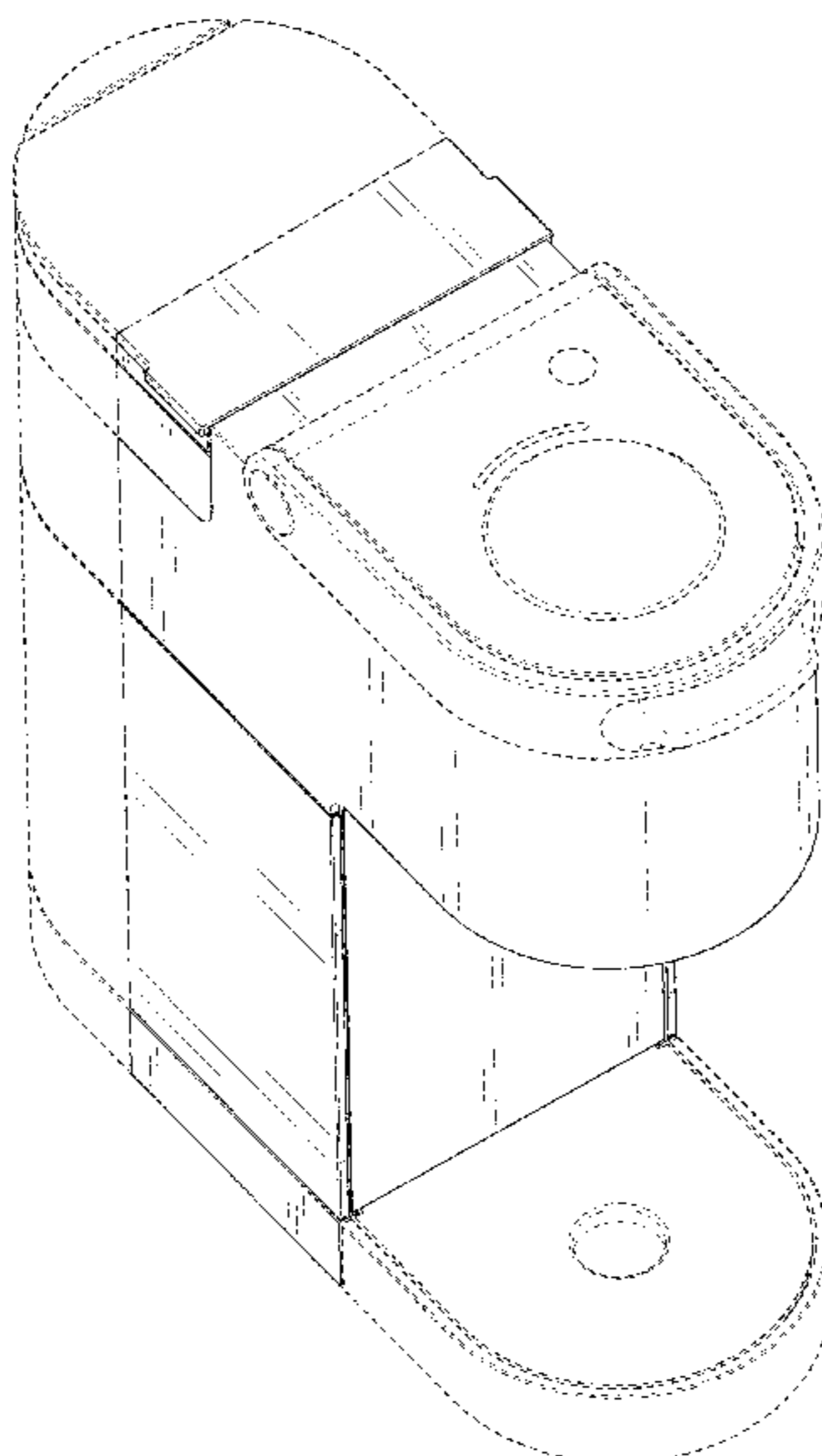
(57) **CLAIM**

The ornamental design for a beverage machine, as shown  
and described.

**DESCRIPTION**

FIG. 1 is a top, front, left side perspective view of a beverage  
machine showing our new design;  
FIG. 2 is a top, front, right side perspective view thereof;  
FIG. 3 is a front elevation view thereof;  
FIG. 4 is a rear elevation view thereof;  
FIG. 5 is a left side elevation view thereof;  
FIG. 6 is a right side elevation view thereof;  
FIG. 7 is a top plan view thereof; and,  
FIG. 8 is a bottom plan view thereof.  
The short dash-long dash broken lines illustrate boundaries  
of the claimed design and form no part of the claimed  
design. The dash-dash broken lines illustrate portions of the  
beverage machine that form no part of the claimed design.

**1 Claim, 8 Drawing Sheets**



(56)

**References Cited**

U.S. PATENT DOCUMENTS

D823,041 S \* 7/2018 Bazzicalupo ..... D7/309  
D849,464 S \* 5/2019 McConnell ..... D7/310

OTHER PUBLICATIONS

[No Author Listed] Images of SodaStream, publicly available prior to Feb. 5, 2018, 2 pages.

\* cited by examiner

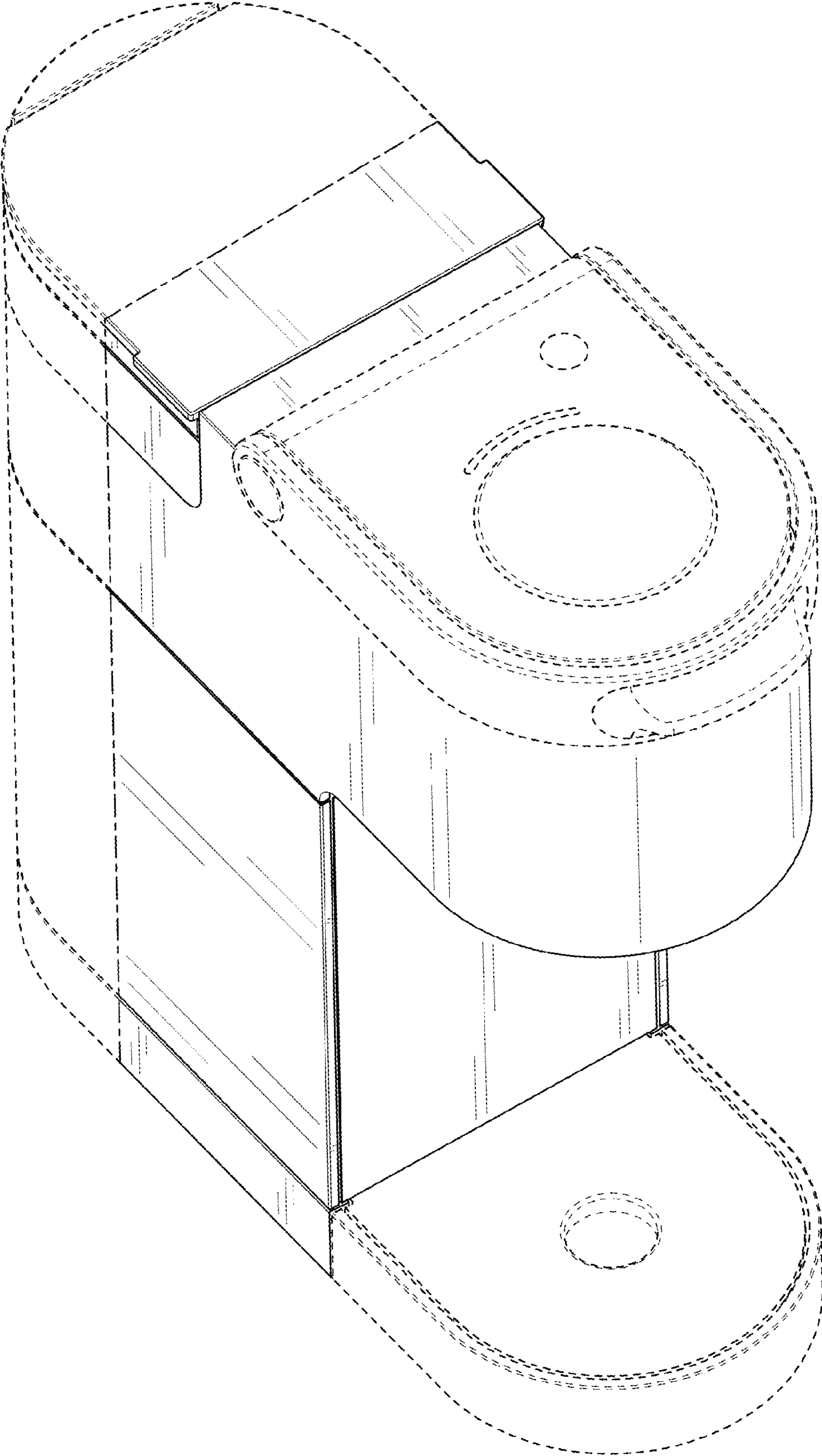


FIG. 1

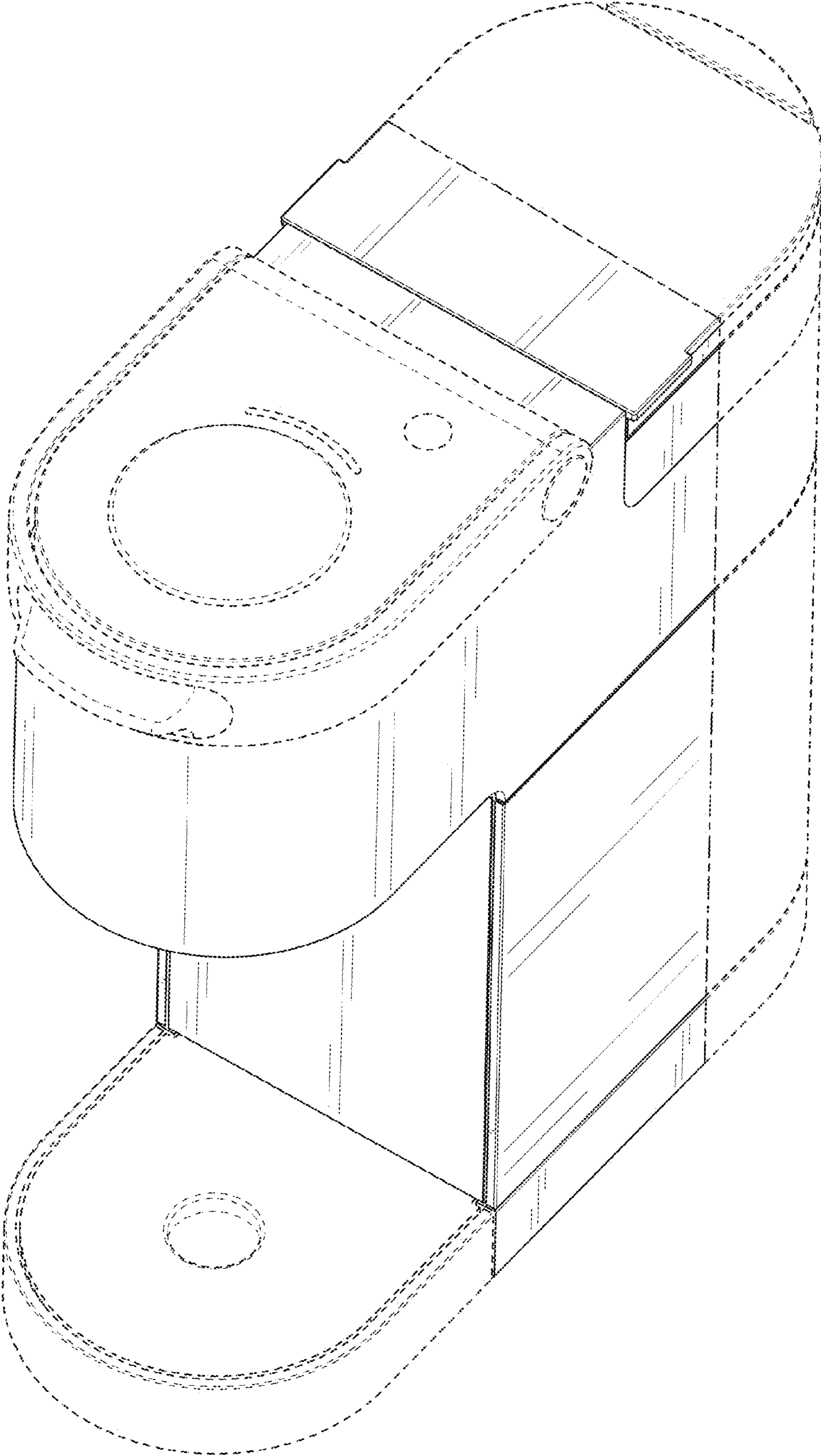


FIG. 2



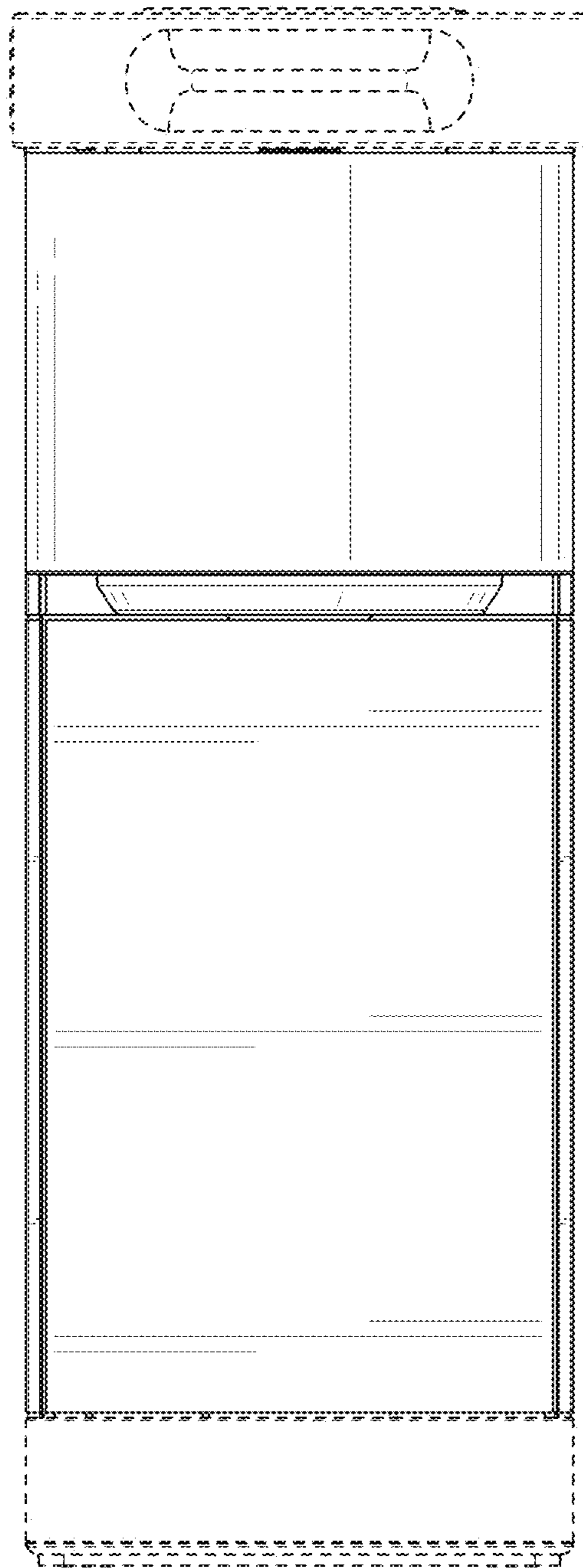


FIG. 3

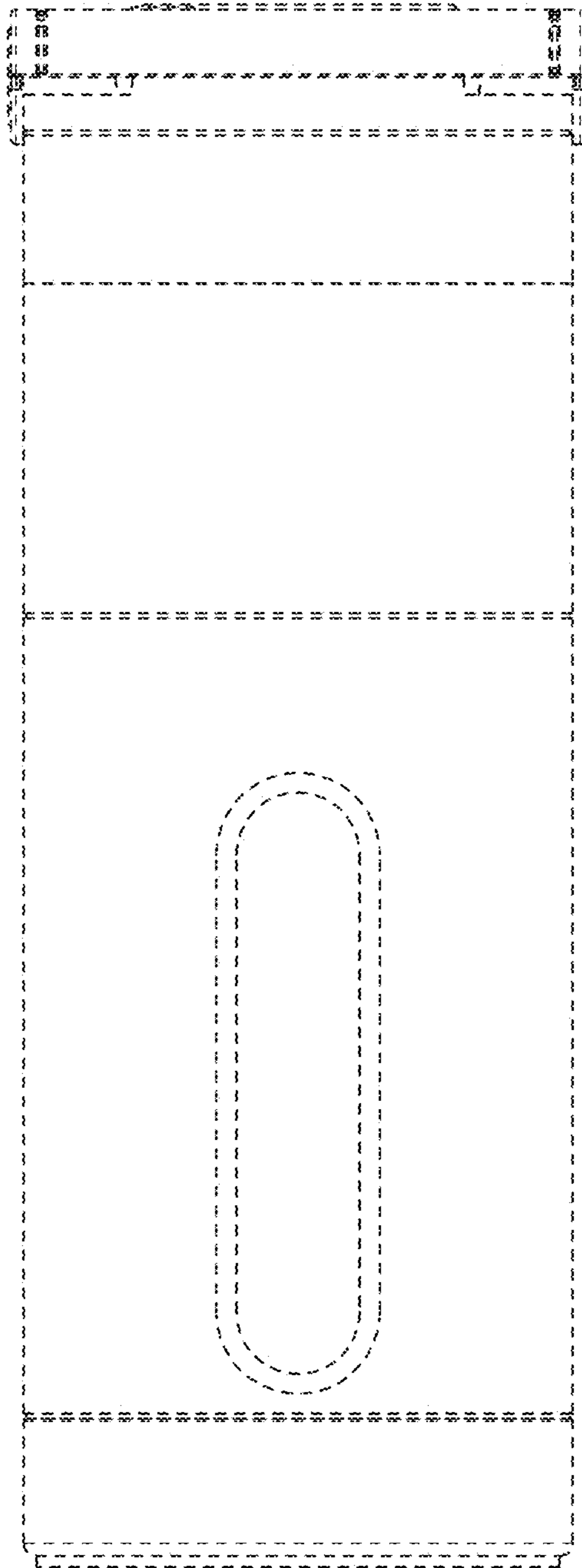


FIG. 4

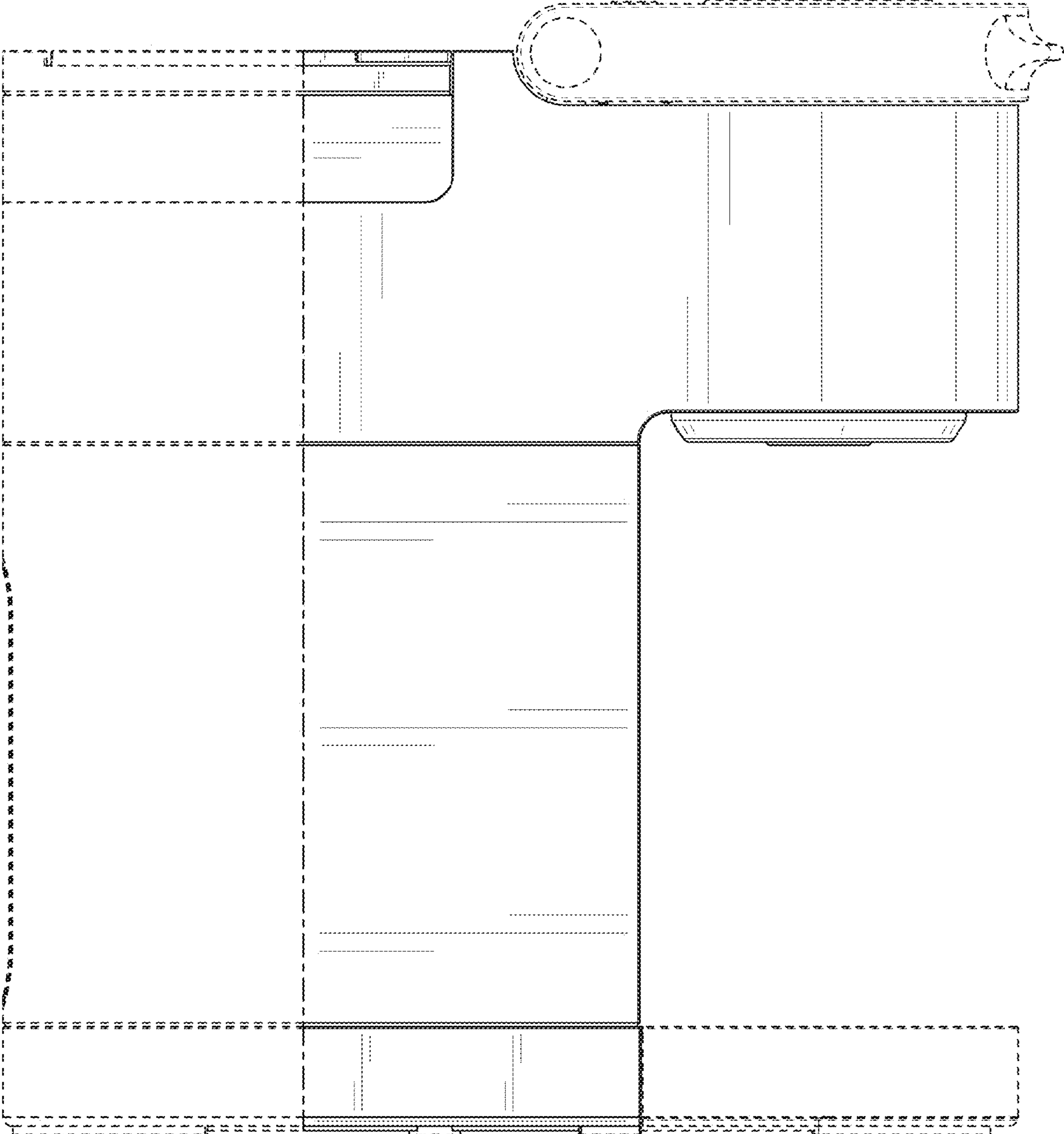


FIG. 5

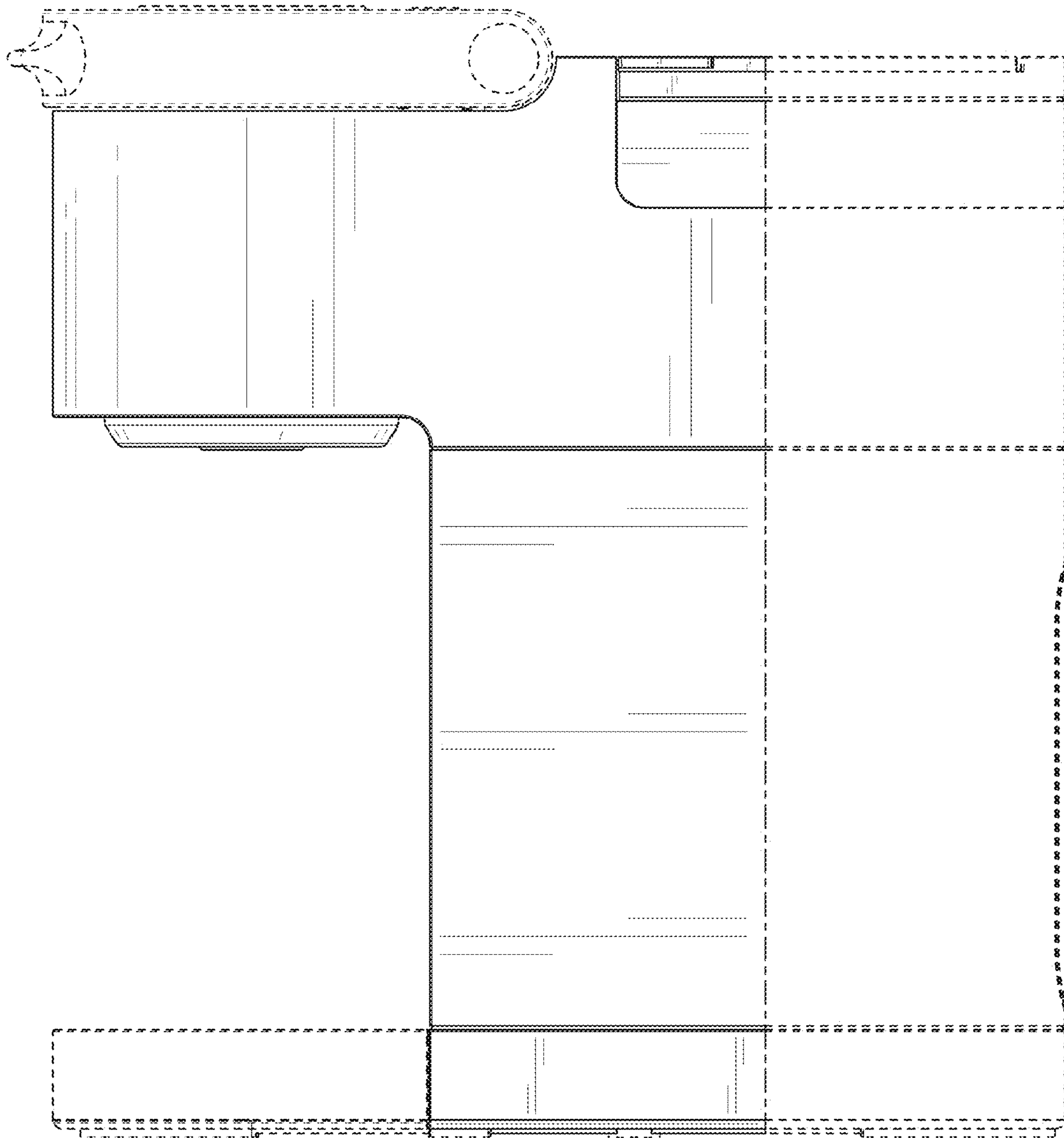


FIG. 6



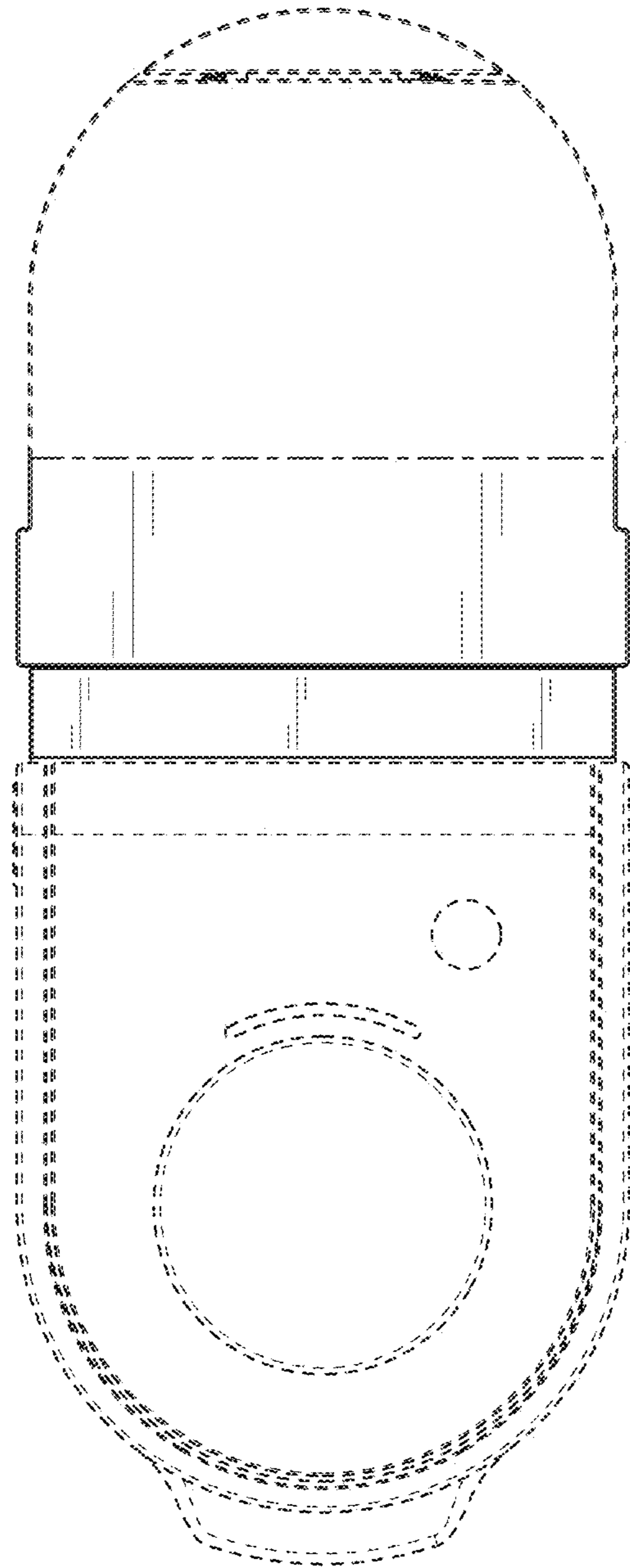


FIG. 7

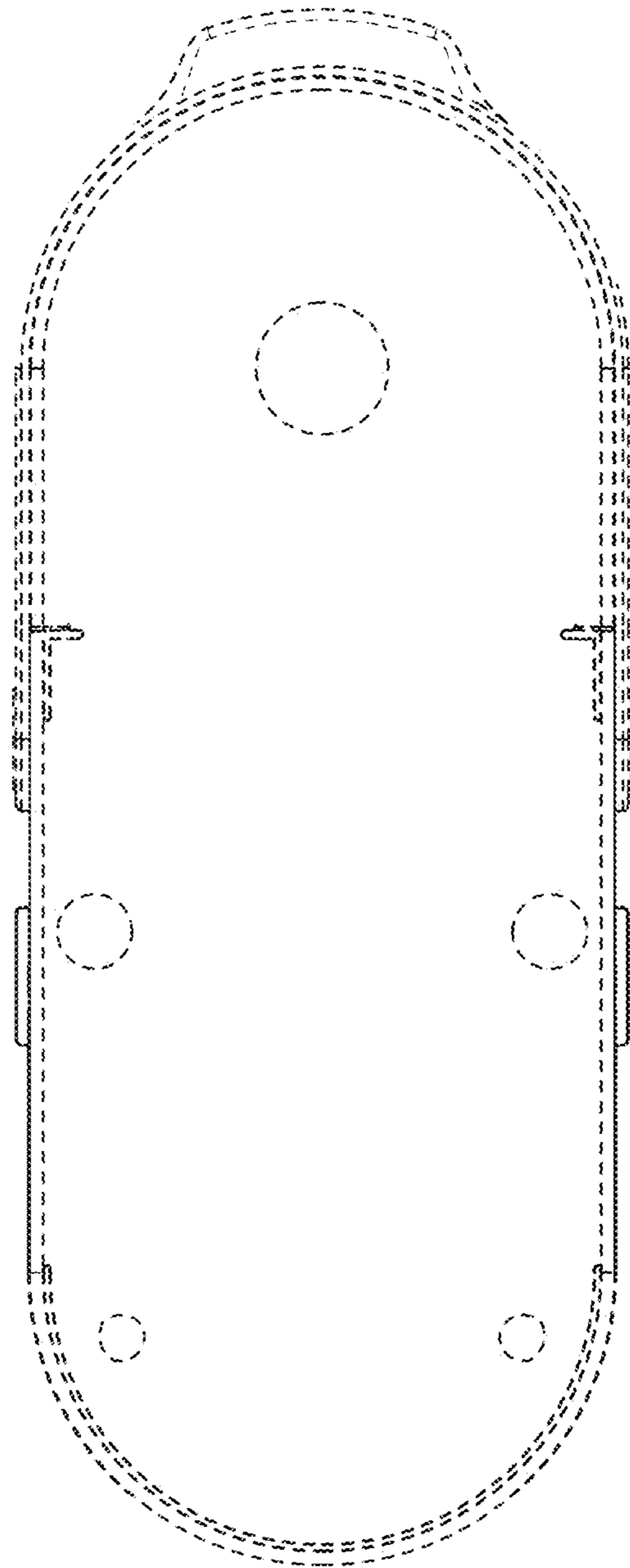


FIG. 8