



US00D879529S

(12) **United States Design Patent** (10) **Patent No.:** **US D879,529 S**
Kucera (45) **Date of Patent:** **** *Mar. 31, 2020**

(54) **CONTAINER FOR BREWING BEER**

FOREIGN PATENT DOCUMENTS

(71) Applicant: **CM Brewing Technologies**, Tustin, CA (US)

CN	2232724	Y	8/1999
CN	1051799	C	4/2000
DE	4205538	A1	9/1993
DE	102004053413	A1	5/2006
GB	271777	A	6/1927

(72) Inventor: **Curtis C. Kucera**, Temecula, CA (US)

(73) Assignee: **CM Brewing Technologies**, Tustin, CA (US)

OTHER PUBLICATIONS

(*) Notice: This patent is subject to a terminal disclaimer.

27 Gallon Fermentor @ Williams Brewing: <http://www.williamsbrewing.com/27-GALLON-FERMENTATOR-P980.aspx>; accessed Jun. 18, 2014.

(Continued)

(**) Term: **15 Years**

Primary Examiner — Marianne N Pandozzi
(74) *Attorney, Agent, or Firm* — Sheppard Mullin Richter & Hampton LLP

(21) Appl. No.: **29/630,627**

(57) **CLAIM**

(22) Filed: **Dec. 21, 2017**

I claim the ornamental design for a container for brewing beer, as shown.

Related U.S. Application Data

DESCRIPTION

(63) Continuation of application No. 29/497,025, filed on Jul. 20, 2014, now abandoned.

(51) **LOC (12) Cl.** **07-01**

(52) **U.S. Cl.**
USPC **D7/306; D7/313**

(58) **Field of Classification Search**
USPC D7/300, 313, 306-311, 305; 99/276, 99/280, 292, 299; 435/287.1
CPC . A47J 31/40; A47J 31/05; A47J 31/46; C12G 3/02; C12G 3/08
See application file for complete search history.

FIG. 1 is an upper front perspective view of a container for brewing beer including left and right handles in flipped out positions.

FIG. 2 is a top plan view of the container for brewing beer of FIG. 1, with the left and right handles in farther flipped out positions.

FIG. 3 is a bottom plan view of the container for brewing beer of FIG. 1, with the left and right handles in the farther flipped out positions.

FIG. 4 is a front elevation view of the container for brewing beer of FIG. 1, with the left and right handles in flipped in positions.

FIG. 5 is a rear elevation view of the container for brewing beer of FIG. 1, with the handles in the flipped in position.

FIG. 6 is a right side elevation view of the container for brewing beer of FIG. 1, with the right handle in the flipped in position; and,

FIG. 7 is a left side elevation view of the container for brewing beer of FIG. 1, with the left handle in the flipped in position.

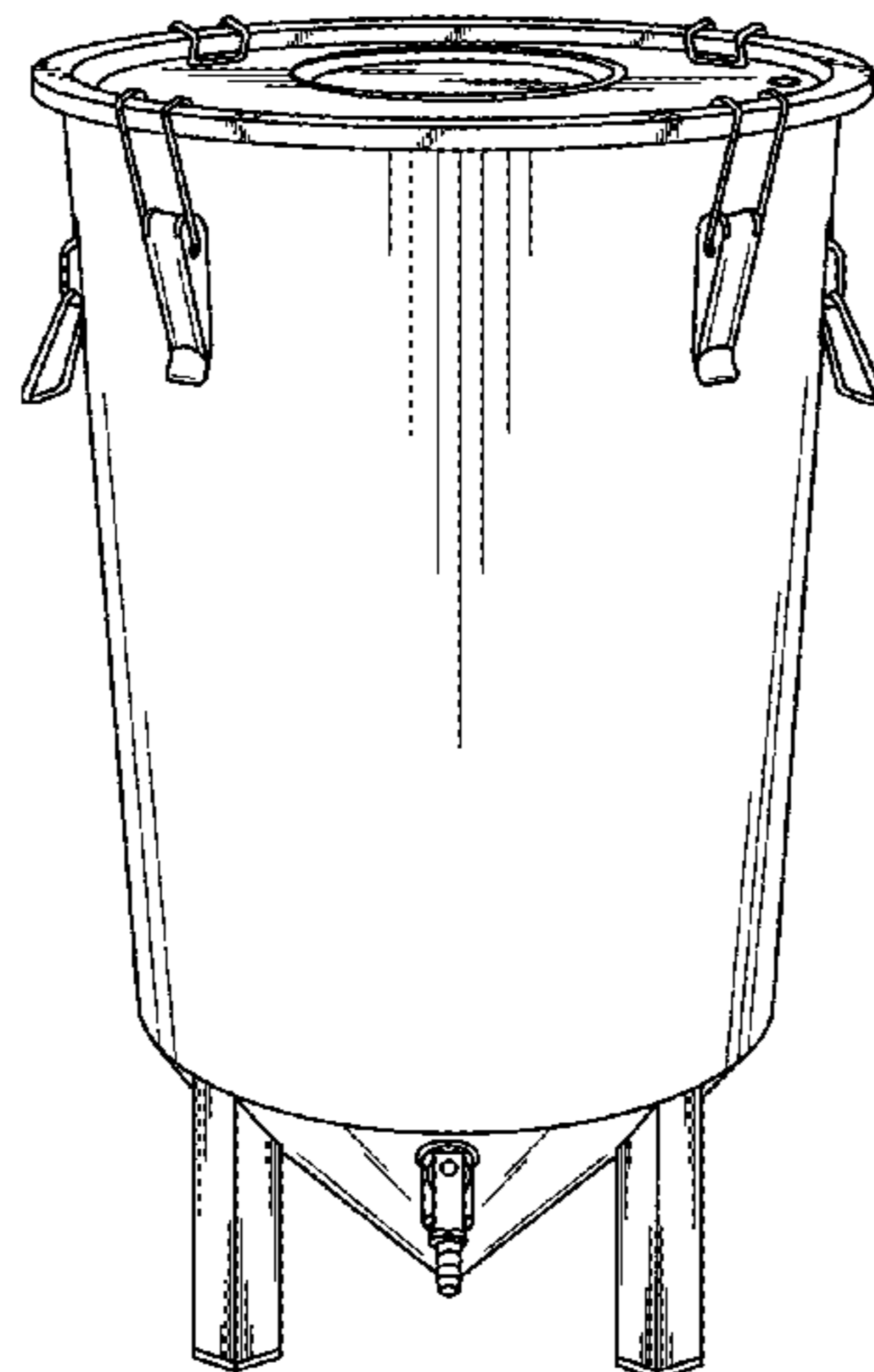
(56) **References Cited**

U.S. PATENT DOCUMENTS

D138,363	S	*	7/1944	Giuriati	D7/308
D222,505	S	*	10/1971	Carr	D7/313
3,962,478	A		6/1976	Hohlbein et al.		

(Continued)

1 Claim, 6 Drawing Sheets



(56)

References Cited

U.S. PATENT DOCUMENTS

4,397,953	A	8/1983	Guazzone et al.	
5,906,151	A	5/1999	Firestone et al.	
D528,344	S *	9/2006	Mika et al.	D7/307
D530,140	S *	10/2006	Macler et al.	D7/313
D570,148	S *	6/2008	Garman	D7/306
D602,301	S *	10/2009	Romandy	D7/306
D685,599	S *	7/2013	Miller et al.	D7/306
D723,316	S *	3/2015	Epstein	D7/306
D729,565	S *	5/2015	Starr et al.	D7/301
2004/0118737	A1	6/2004	Welsh et al.	
2007/0090644	A1	4/2007	Poirier et al.	
2010/0018994	A1	1/2010	Antheil et al.	
2010/0303984	A1	12/2010	Vvasmuht et al.	
2011/0165421	A1	7/2011	Schlesinger et al.	
2014/0144328	A1	5/2014	Greene, Jr. et al.	
2015/0128809	A1	5/2015	Hansmann et al.	

OTHER PUBLICATIONS

Blichmann Engineering, Ferminator™ ; <http://www.blichmann-engineering.com/products/ferminator/>; © 2013 Blichmann Engineering, accessed Jun. 23, 2014.

Blichmann Engineering, Ferminator™ ; Tri-Clamp Models; Operation, Assembly, Maintenance Manuel; F3-TC Owners Manual V4, © 2011 Blichmann Engineering, LLC.

Brouwland, Fermentor Ferment Tank Standard 1581 (42 gal); <http://brouwland.com/en/our-products/winemaking/bottles-tanks-barrels/stainless-steel-tanks;cylindroconical-tanks/tanks/d/fermentor-ferment-tank-sta...> ; accessed Jun. 18, 2014.

CF7BBL-JKT-SIDE 7 Barrel Glycol Jacketed Conical Fermenter with Side Manway; <https://conical-fermenter.com/7-Barrel-Glycol-Jacketed-Conical-Fermenter.html>; © 2009-2014 Stout Tanks & Kettles, LLC, accessed Jun. 18, 2014.

Ss Brewing Technologies; The Brew Bucket 7 Gallon 304 Stainless Steel Fermenter | Ss Brewing Technologies; <http://www.ssbrewtech.com/products/brewbucket>; accessed Jun. 17, 2014.

Young, Lee W., Authorized Officer, International Searching Authority / U.S. Receiving Office, "International Search Report" in connection with related International Application No. PCT/US2015/041201, dated Oct. 23, 2015, 2 pages.

Young, Lee W., Authorized Officer, International Searching Authority / U. S. Receiving Office, "Written Opinion of the International Searching Authority" in connection with related International Application No. PCT/US2015/041201, dated Oct. 23, 2015, 6 pages.

* cited by examiner

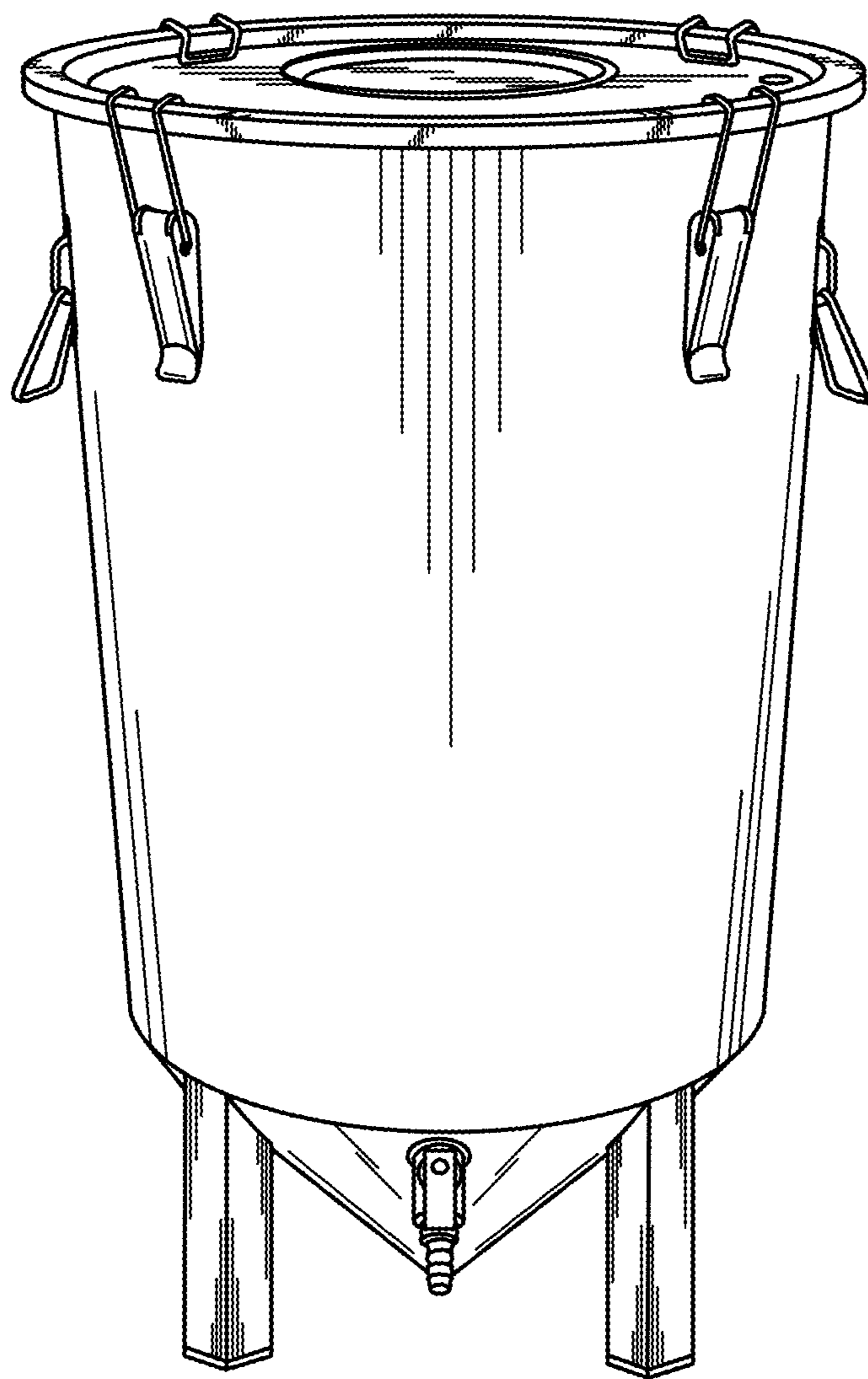


FIG. 1

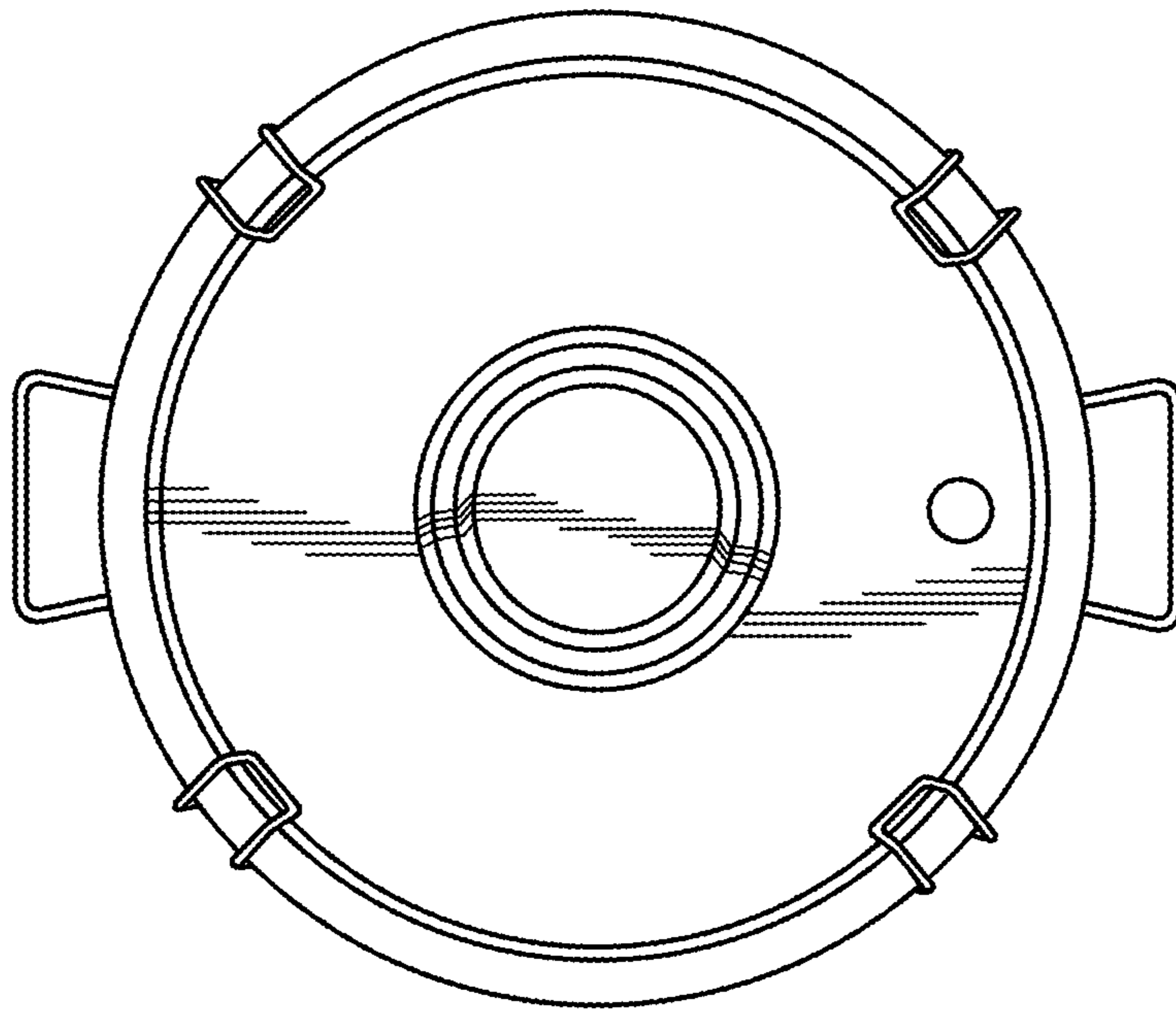


FIG. 2

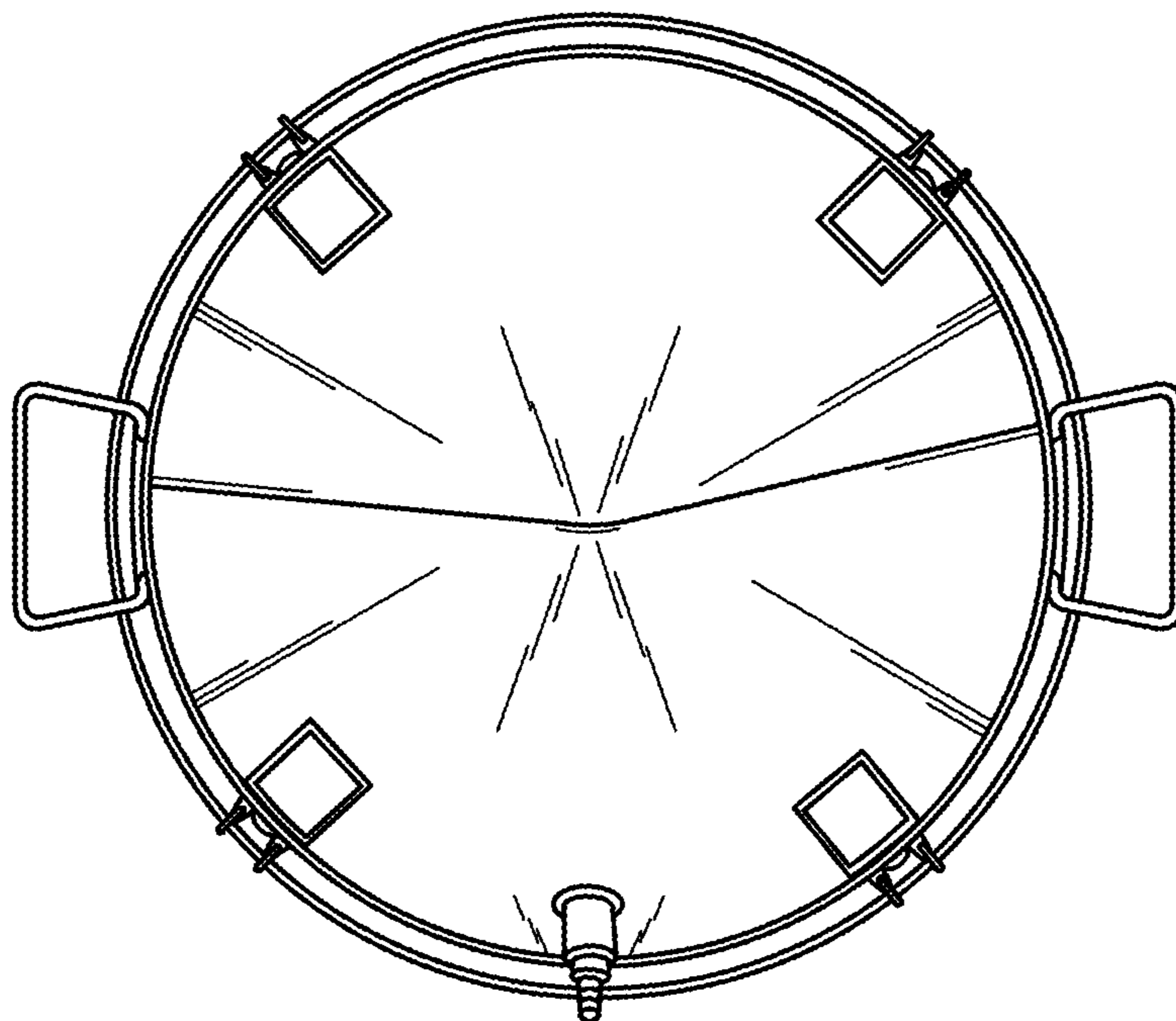


FIG. 3

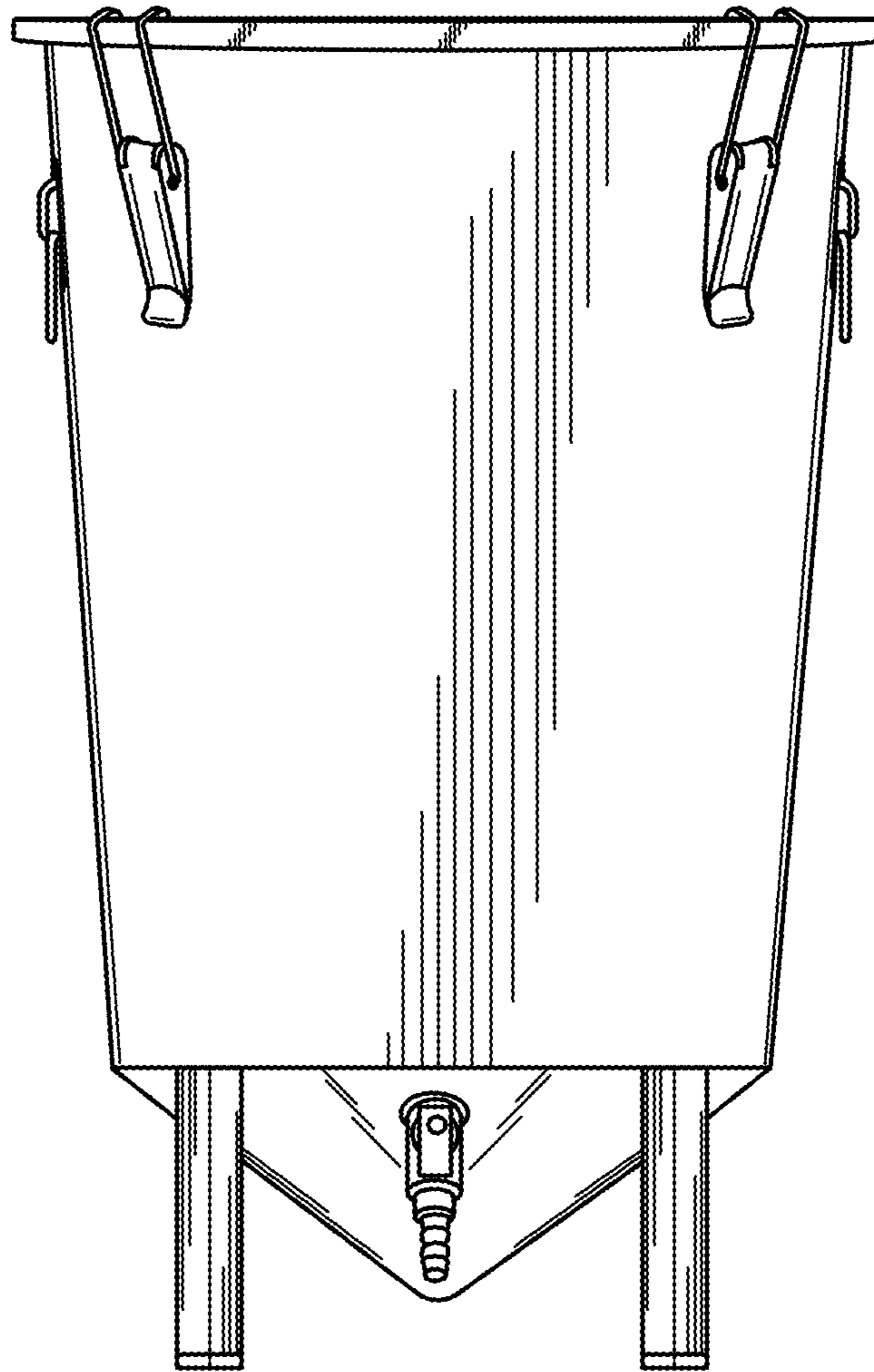


FIG. 4

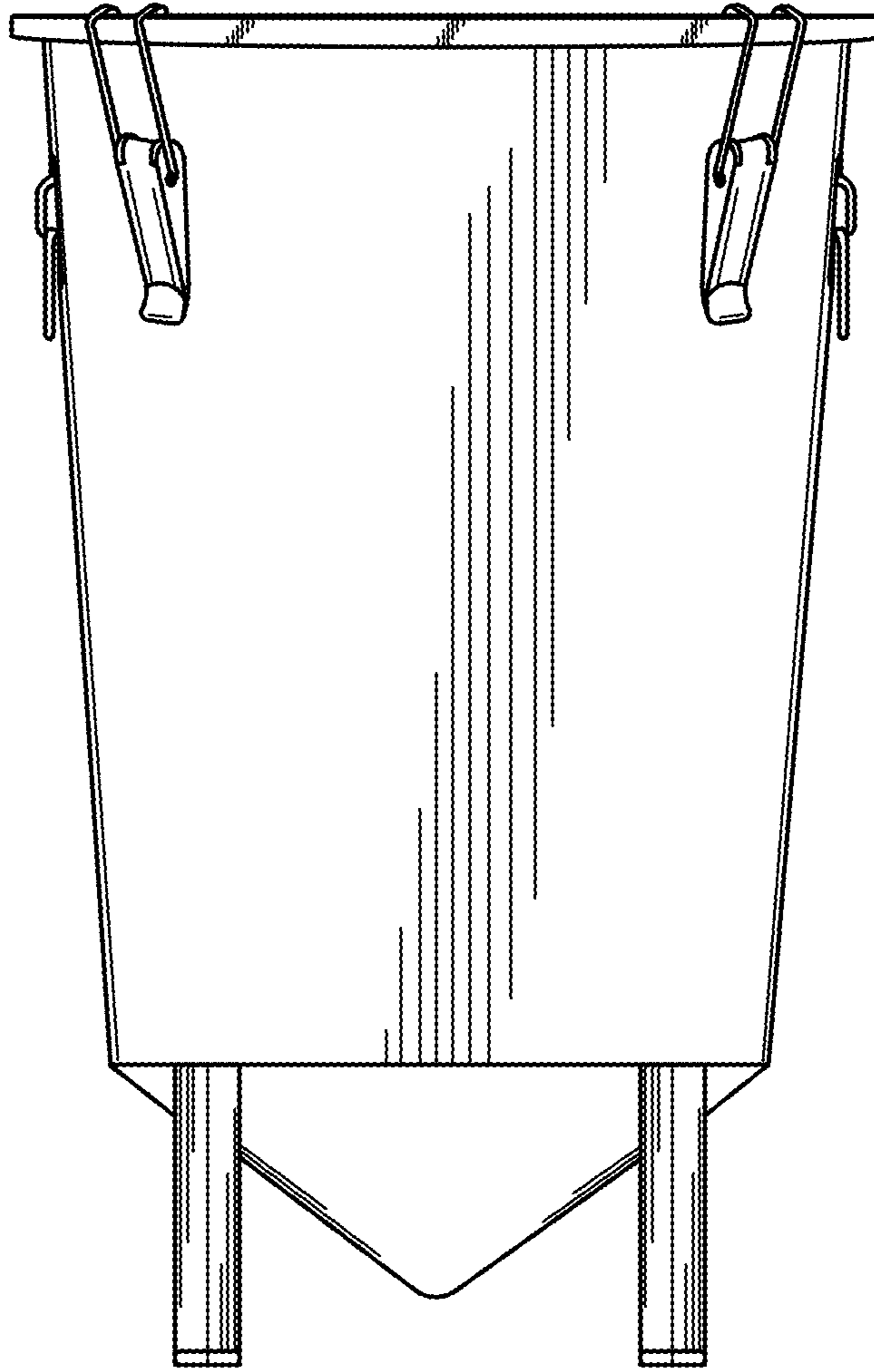


FIG. 5

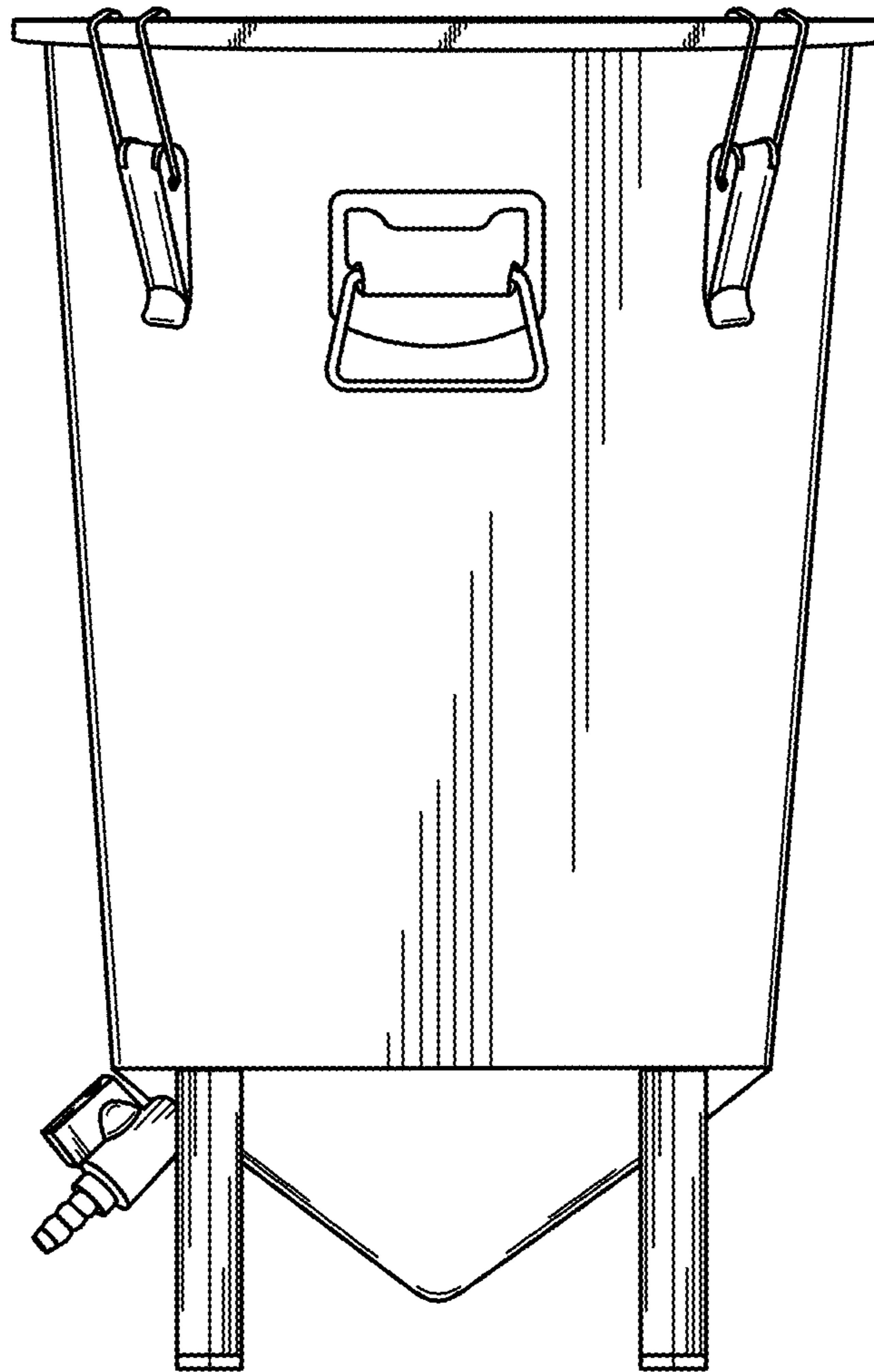


FIG. 6

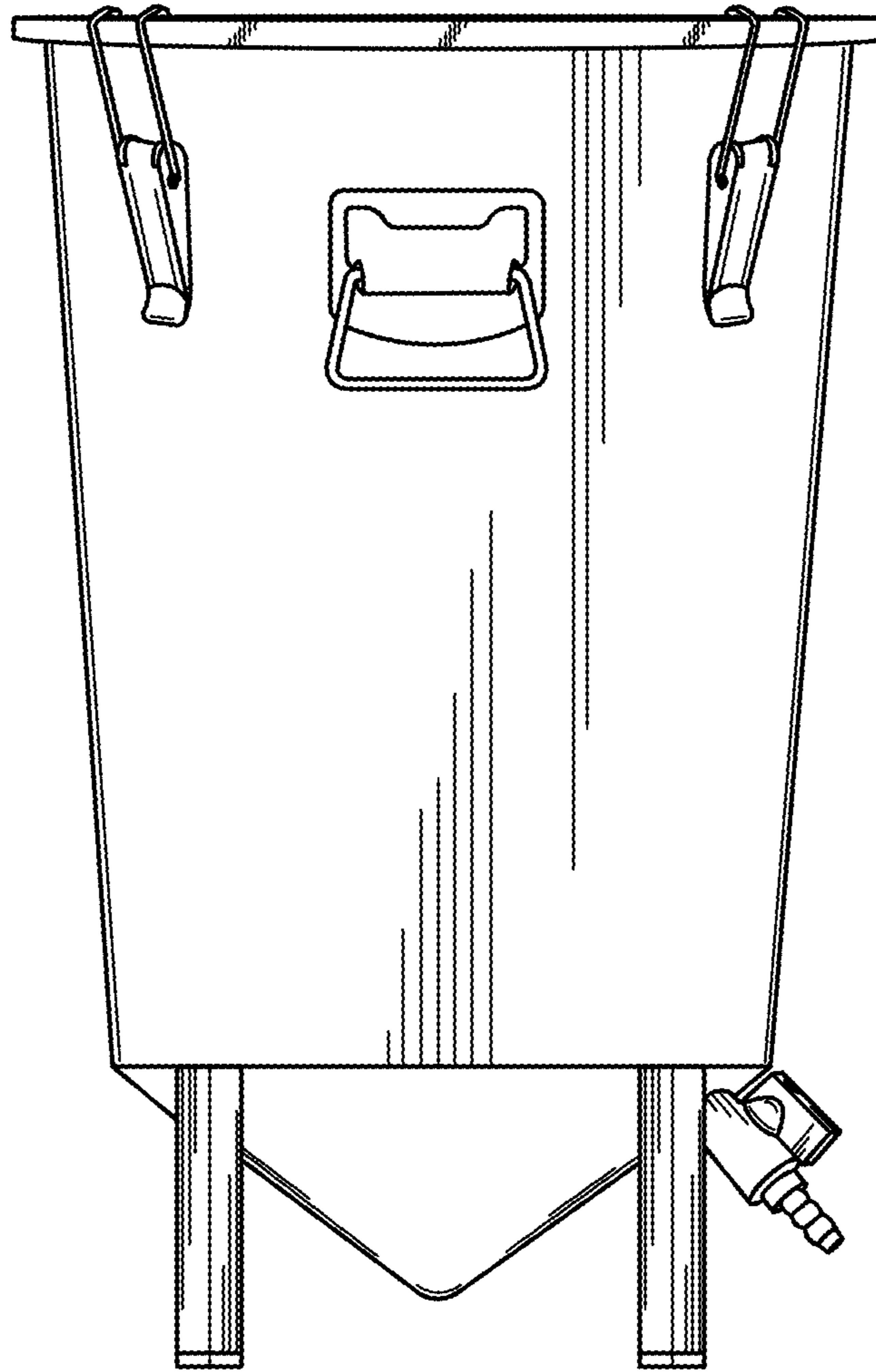


FIG. 7